



US00D581973S

(12) **United States Design Patent**
Yamagata et al.

(10) **Patent No.:** **US D581,973 S**
(45) **Date of Patent:** **** Dec. 2, 2008**

(54) **PHOTOCONDUCTOR CARTRIDGE**

(75) Inventors: **Takashi Yamagata**, Kyoto (JP); **Takashi Konishi**, Kyoto (JP)

(73) Assignee: **Murata Kikai Kabushiki Kaisha**, Kyoto (JP)

(**) Term: **14 Years**

(21) Appl. No.: **29/246,644**

(22) Filed: **Apr. 28, 2006**

(30) **Foreign Application Priority Data**

Mar. 17, 2006 (JP) 2006-006883

(51) **LOC (8) Cl.** **16-03**

(52) **U.S. Cl.** **D18/43**

(58) **Field of Classification Search** D14/462,
D14/469-471; D18/12, 46, 40, 43, 44, 56;
222/DIG. 1; 347/197, 222; 399/24-28, 107-112,
399/119, 121, 122, 222-224; 400/207, 208
See application file for complete search history.

(56) **References Cited**

U.S. PATENT DOCUMENTS

D478,614 S * 8/2003 Numagami et al. D18/40
D489,400 S * 5/2004 Nagashiro D18/43
7,194,230 B2 * 3/2007 Haruyama 222/DIG. 1
2004/0126131 A1 * 7/2004 Numagami et al. 399/109

* cited by examiner

Primary Examiner—Caron D. Veynar
Assistant Examiner—Garth Rademaker

(74) *Attorney, Agent, or Firm*—Sterne, Kessler, Goldstein & Fox P.L.L.C.

(57) **CLAIM**

The ornamental design for a photoconductor cartridge, as shown and described.

DESCRIPTION

FIG. 1 is a perspective view of a photoconductor cartridge showing our new design;

FIG. 2 is an bottom perspective view thereof;

FIG. 3 is a front view thereof;

FIG. 4 is a rear view thereof;

FIG. 5 is a left side view thereof;

FIG. 6 is a right side view thereof;

FIG. 7 is a top plan view thereof; and

FIG. 8 is a bottom plan view thereof;

FIG. 9 is a sectional view taken on line 9—9' in FIG. 3;

FIG. 10 is an enlarged view of the intersection of the areas 10 and 10' in FIG. 3;

FIG. 11 is an enlarged view of the intersection of the areas 11 and 11' in FIG. 8;

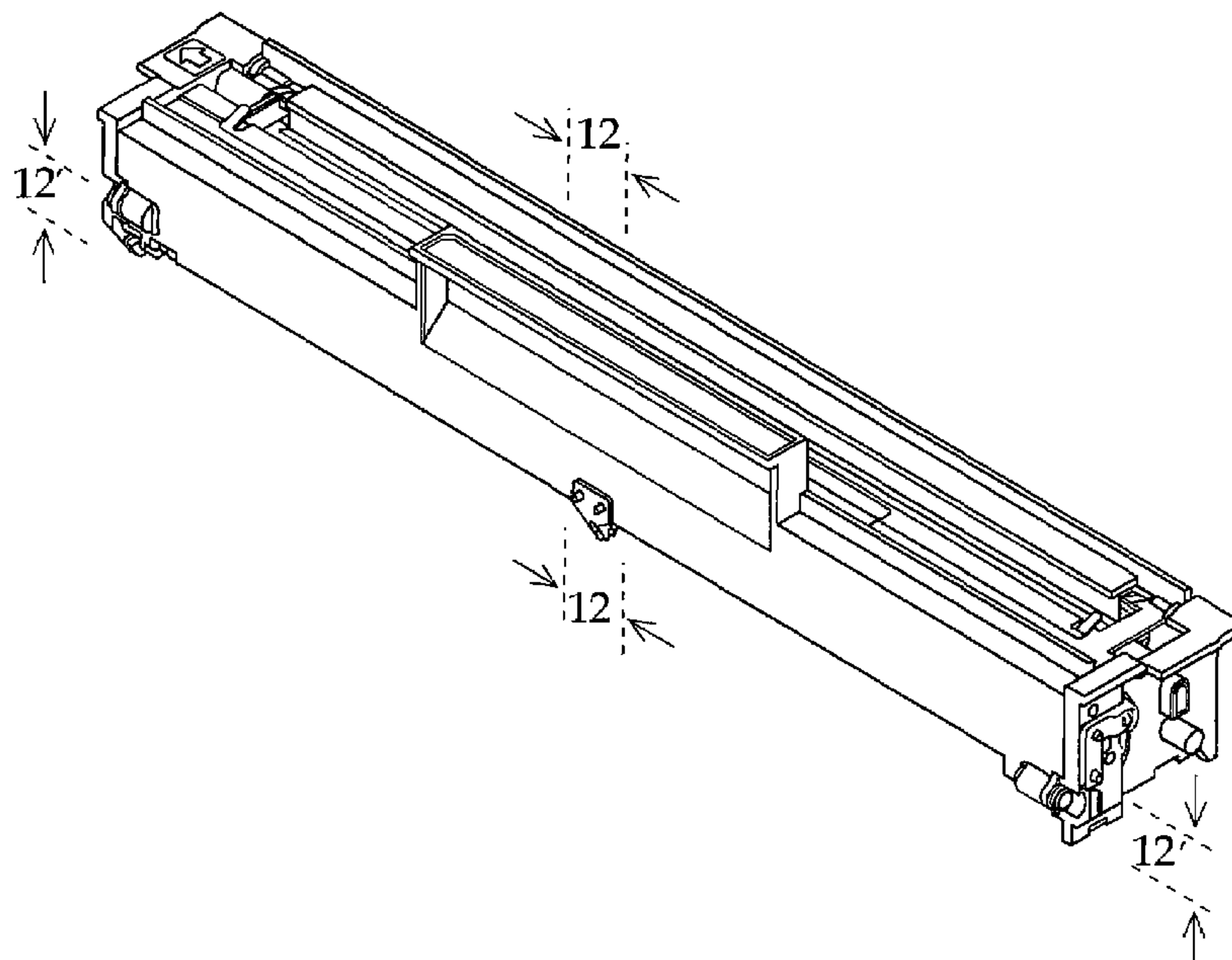
FIG. 12 is an enlarged view of the intersection of the areas 12 and 12' in FIG. 1;

FIG. 13 is an enlarged view of the intersection of the areas 13 and 13' in FIG. 2; and,

FIG. 14 is an enlarged view of the intersection of the areas 14 and 14' in FIG. 9.

The broken lines are environmental only and form no part of the claimed design.

1 Claim, 14 Drawing Sheets



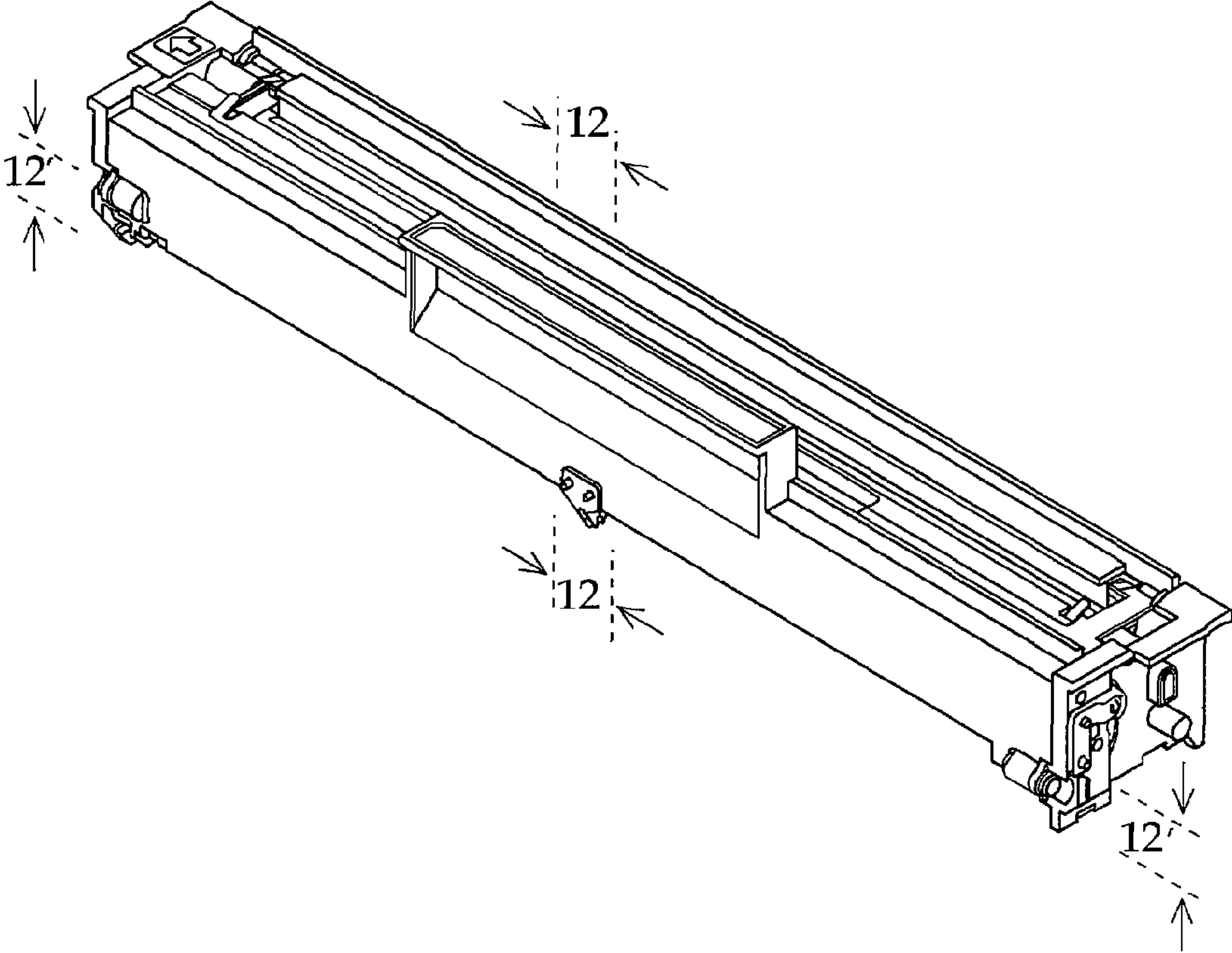


FIG. 1

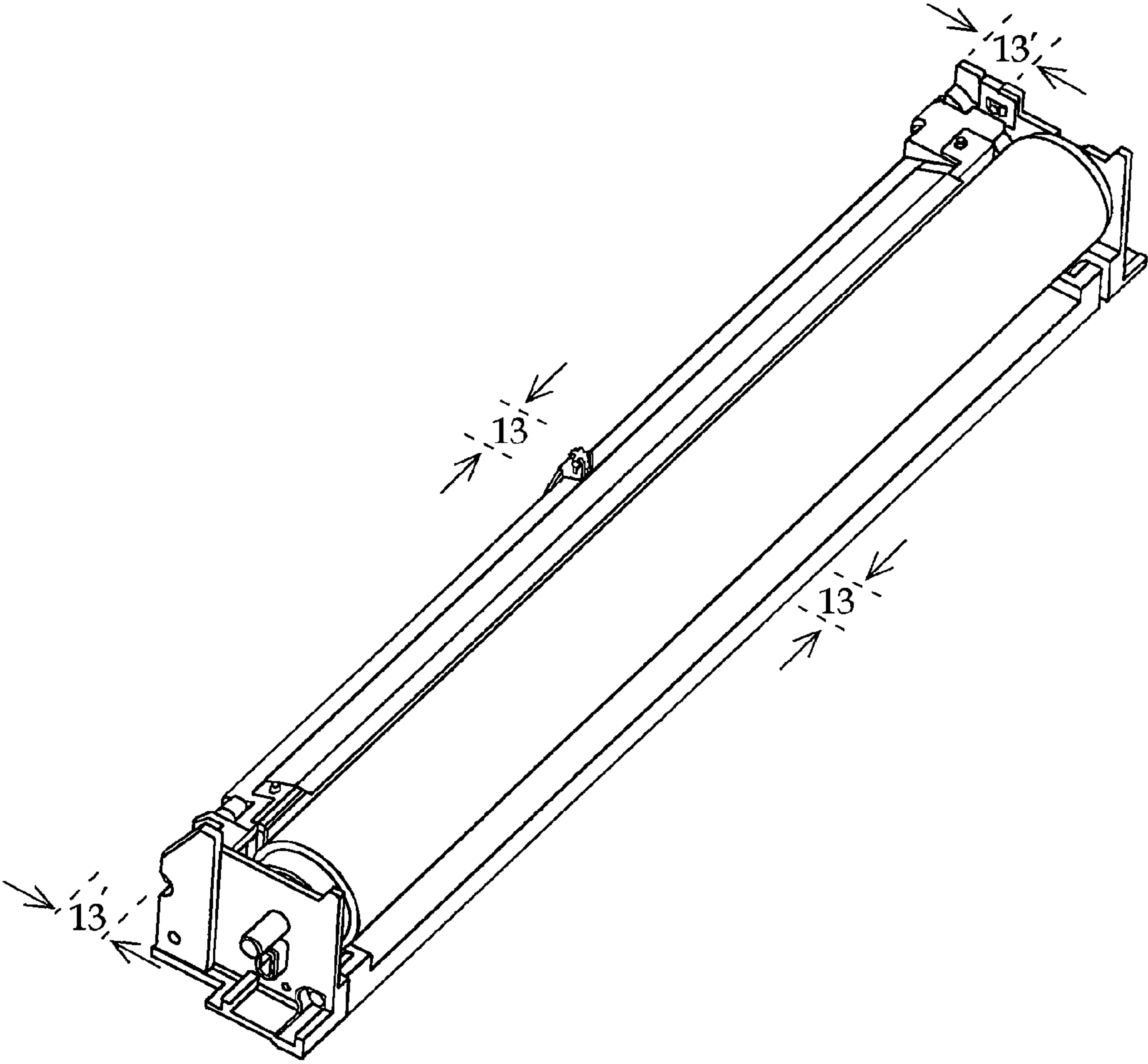


FIG. 2

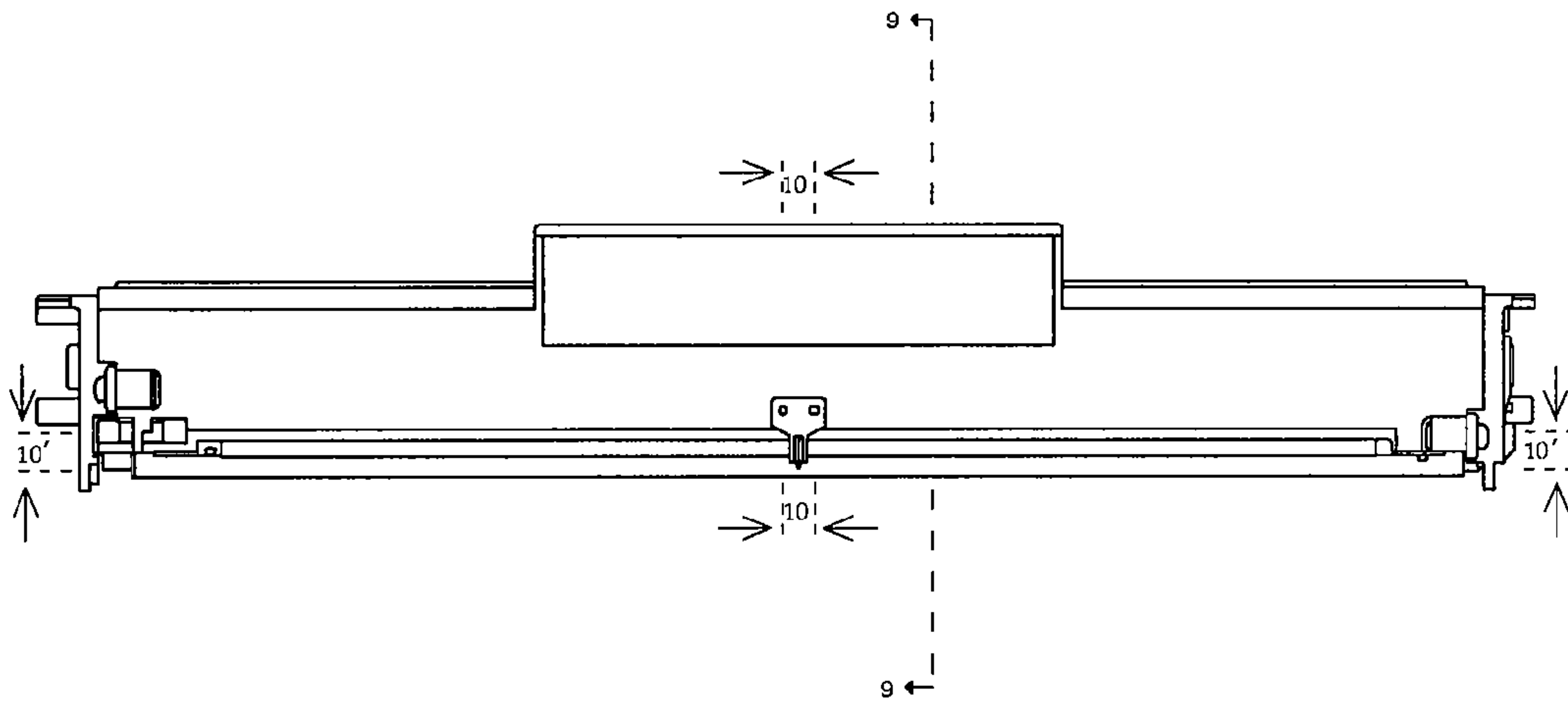


FIG. 3

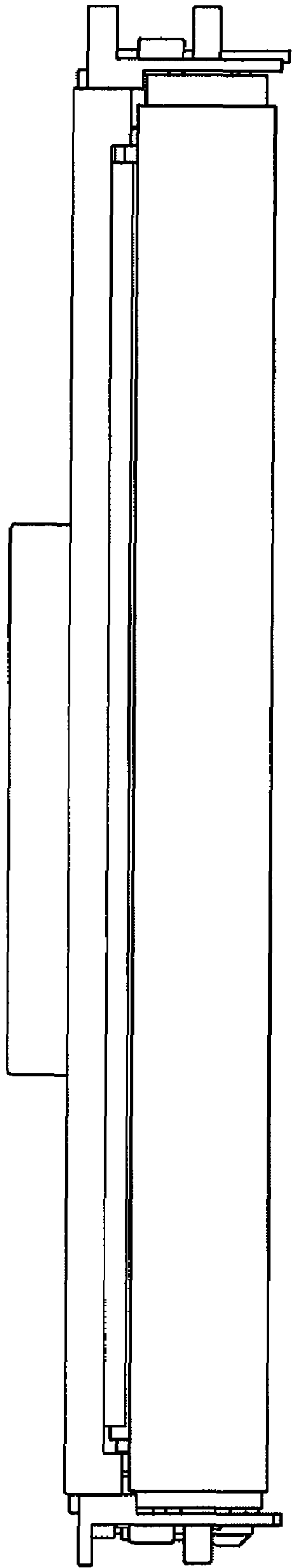


FIG. 4

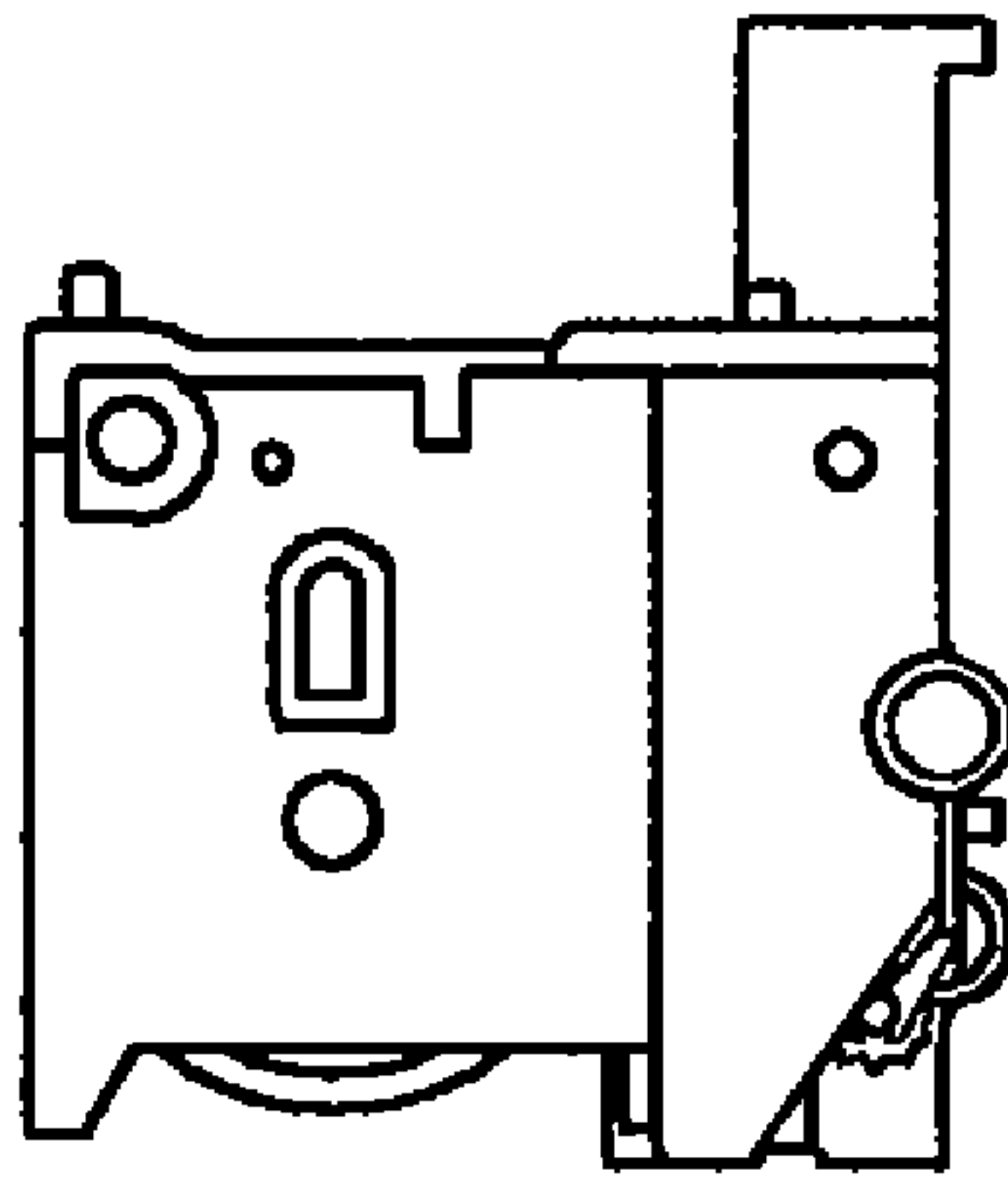


FIG. 5

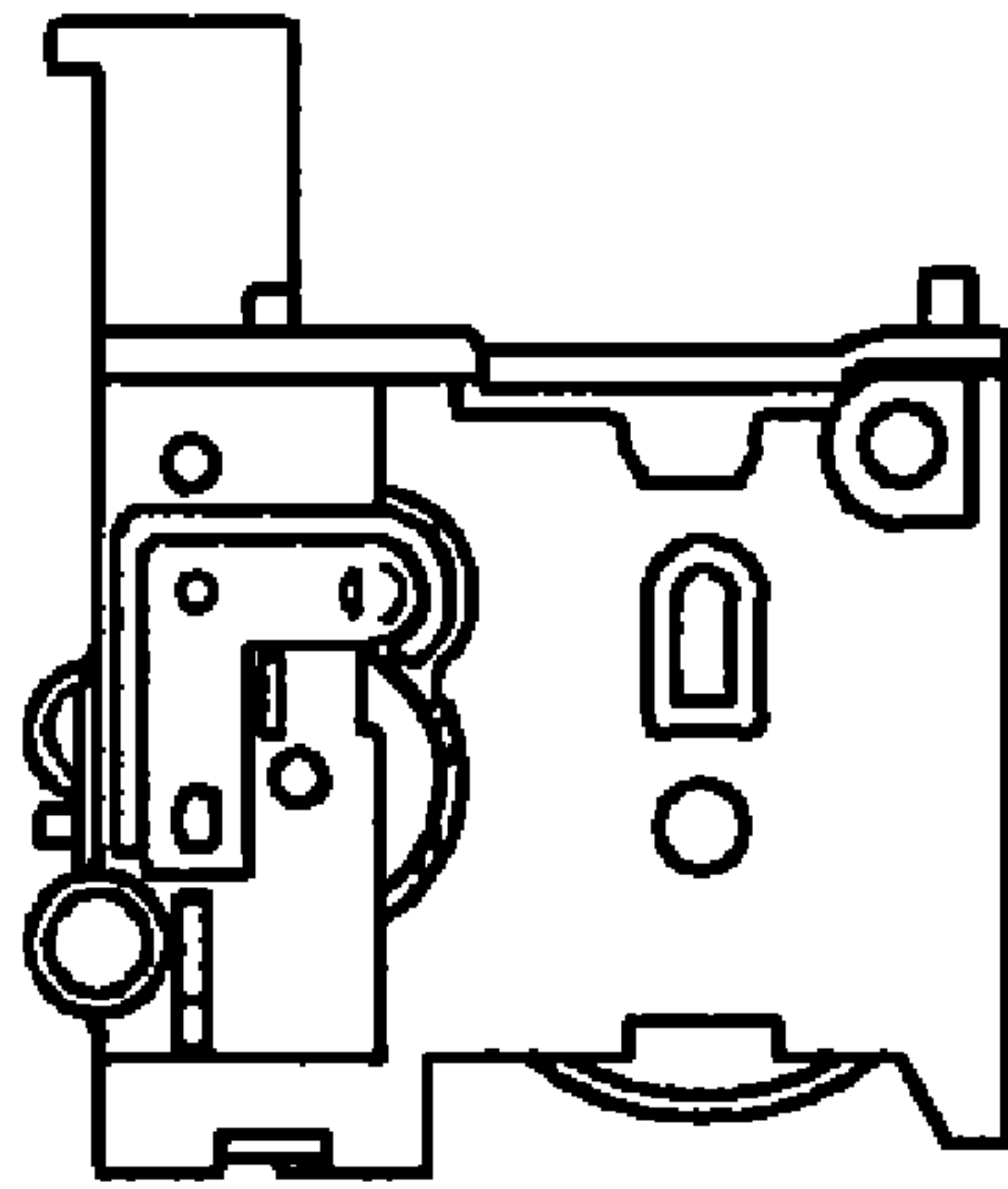


FIG. 6

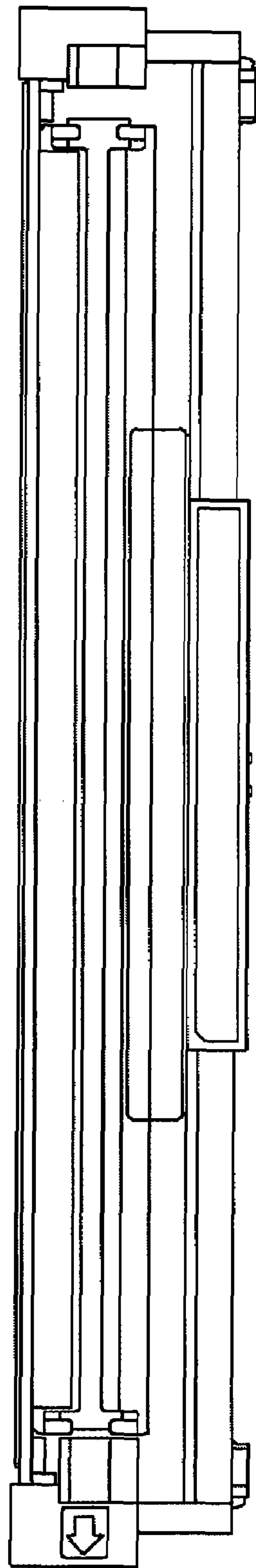


FIG. 7

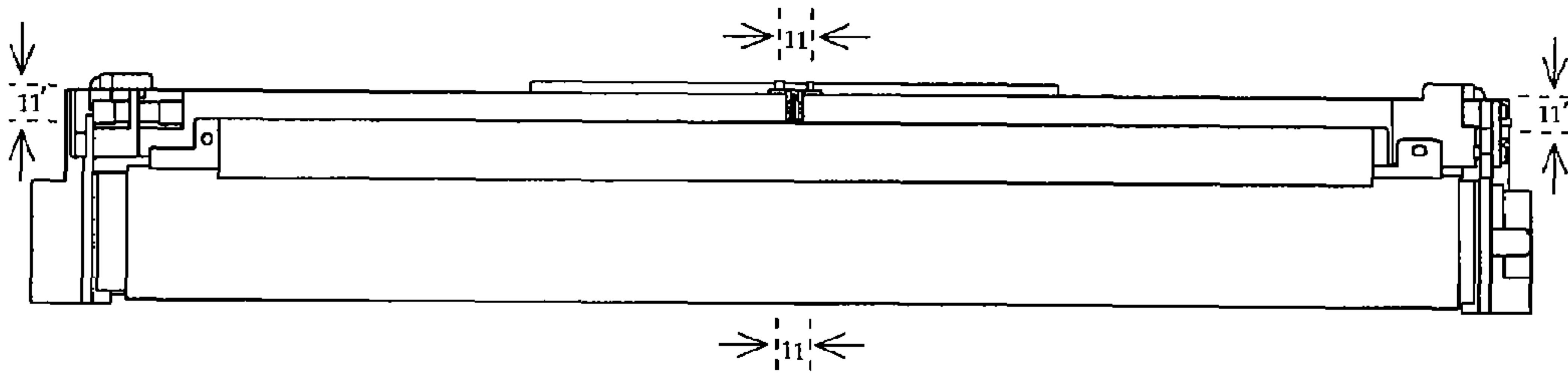


FIG. 8

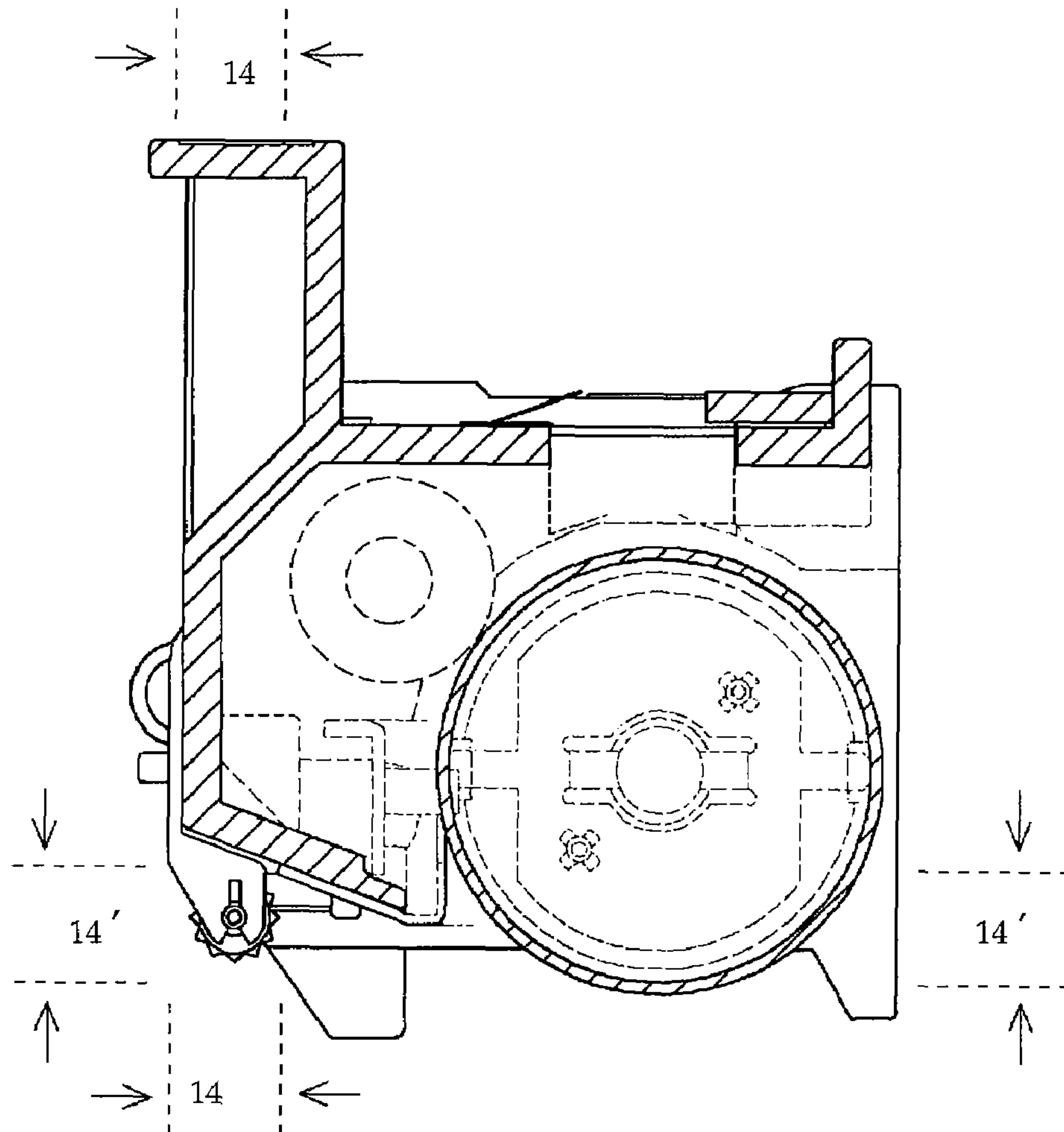


FIG. 9

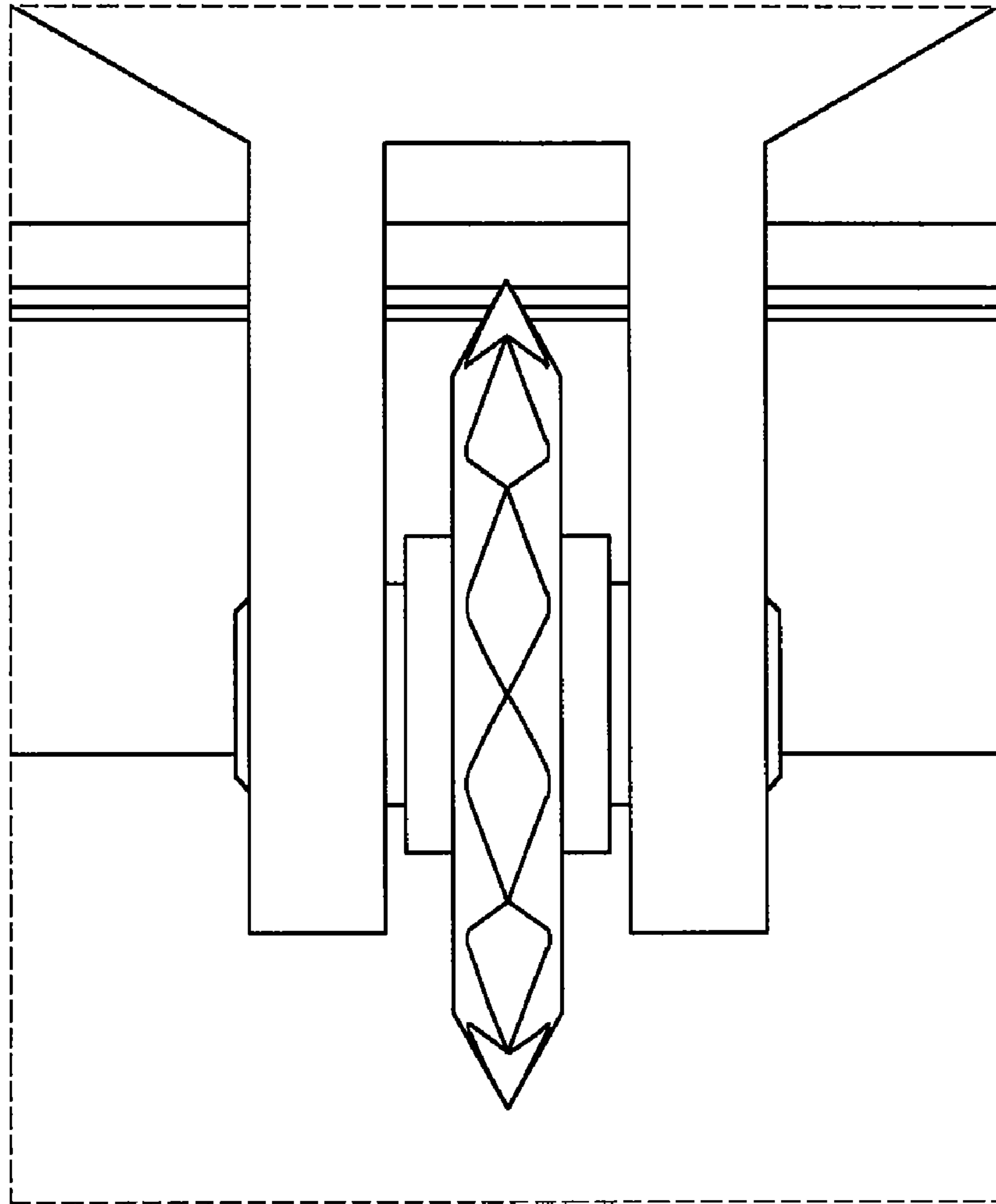


FIG. 10

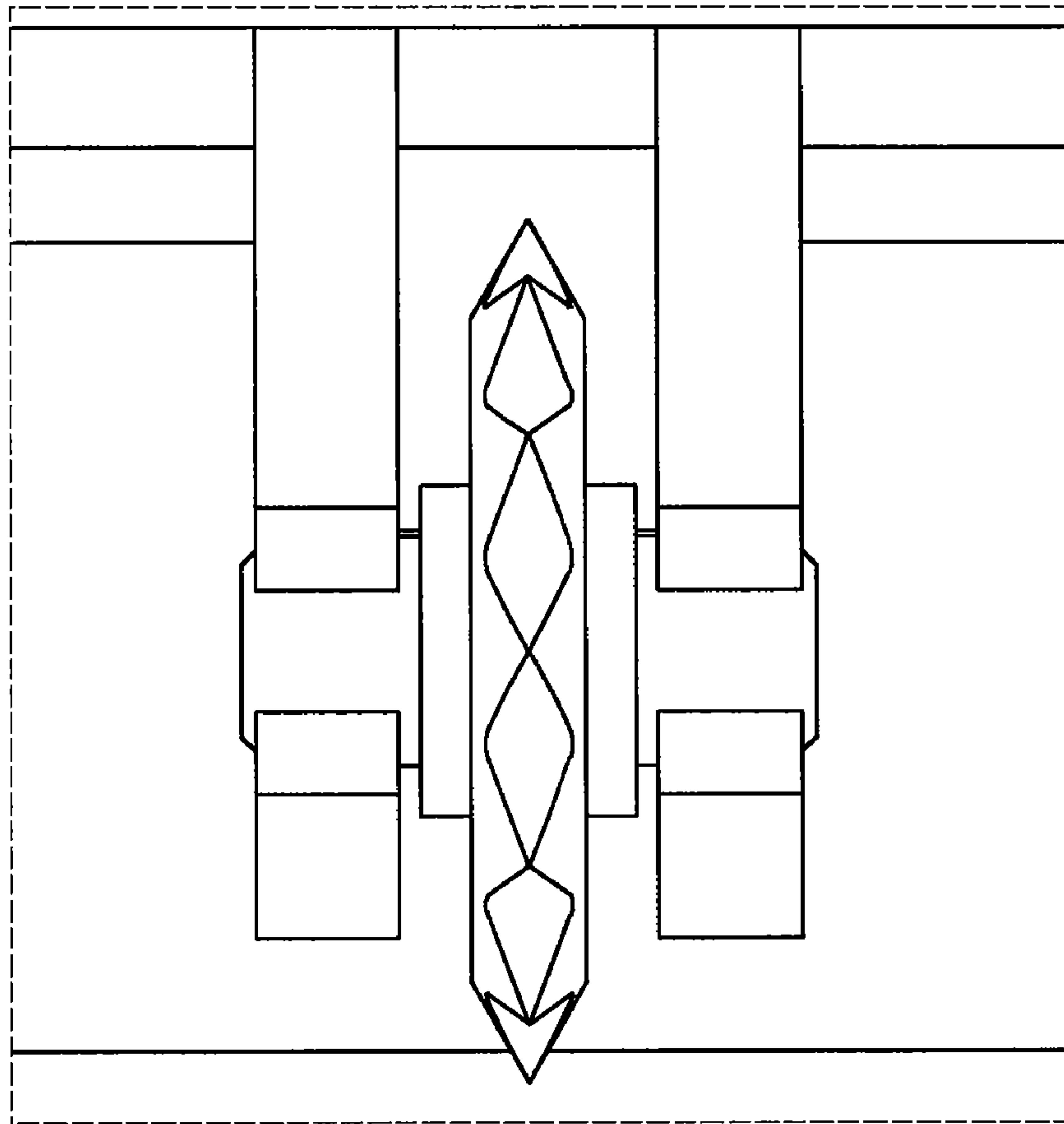


FIG. 11

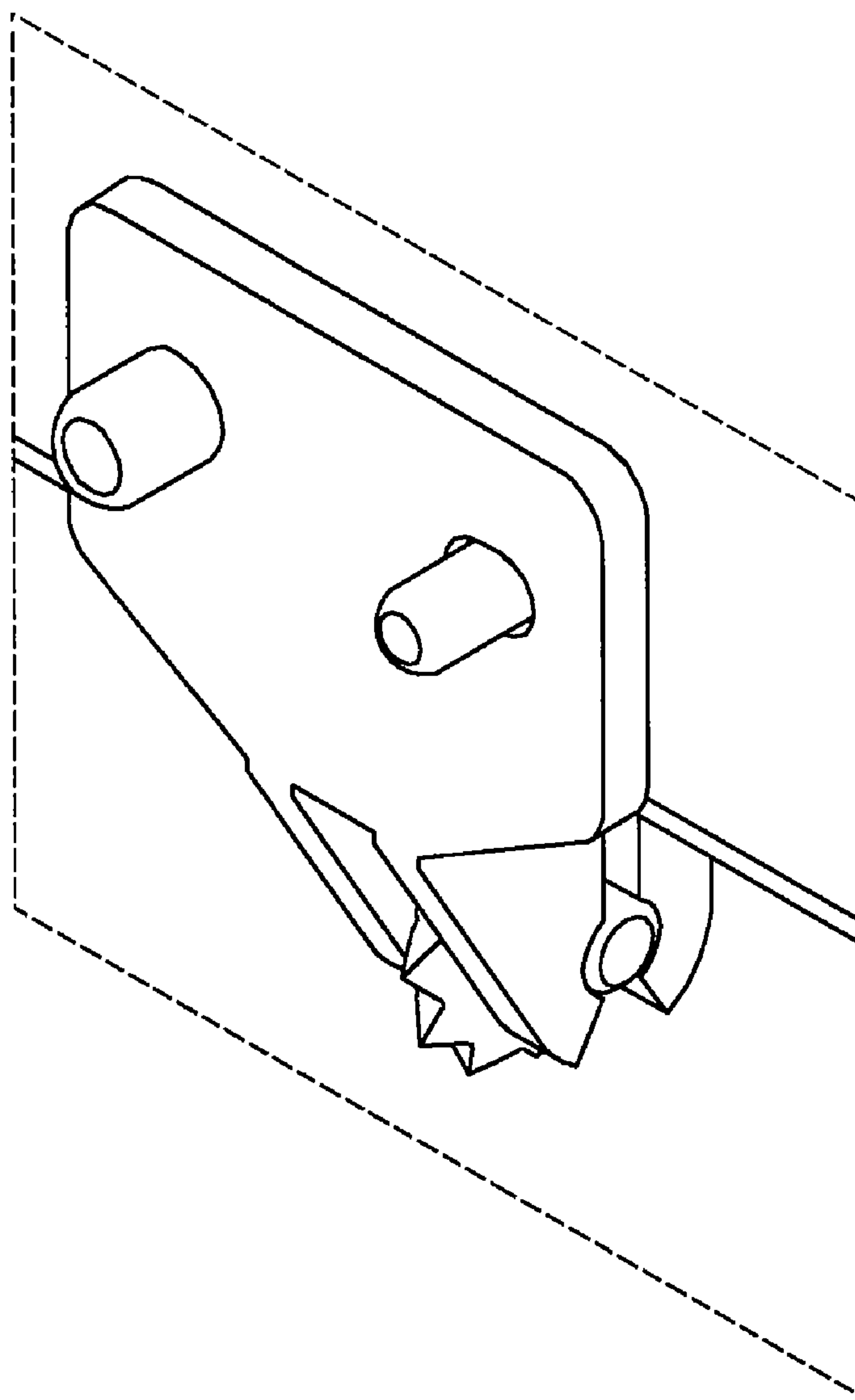


FIG. 12

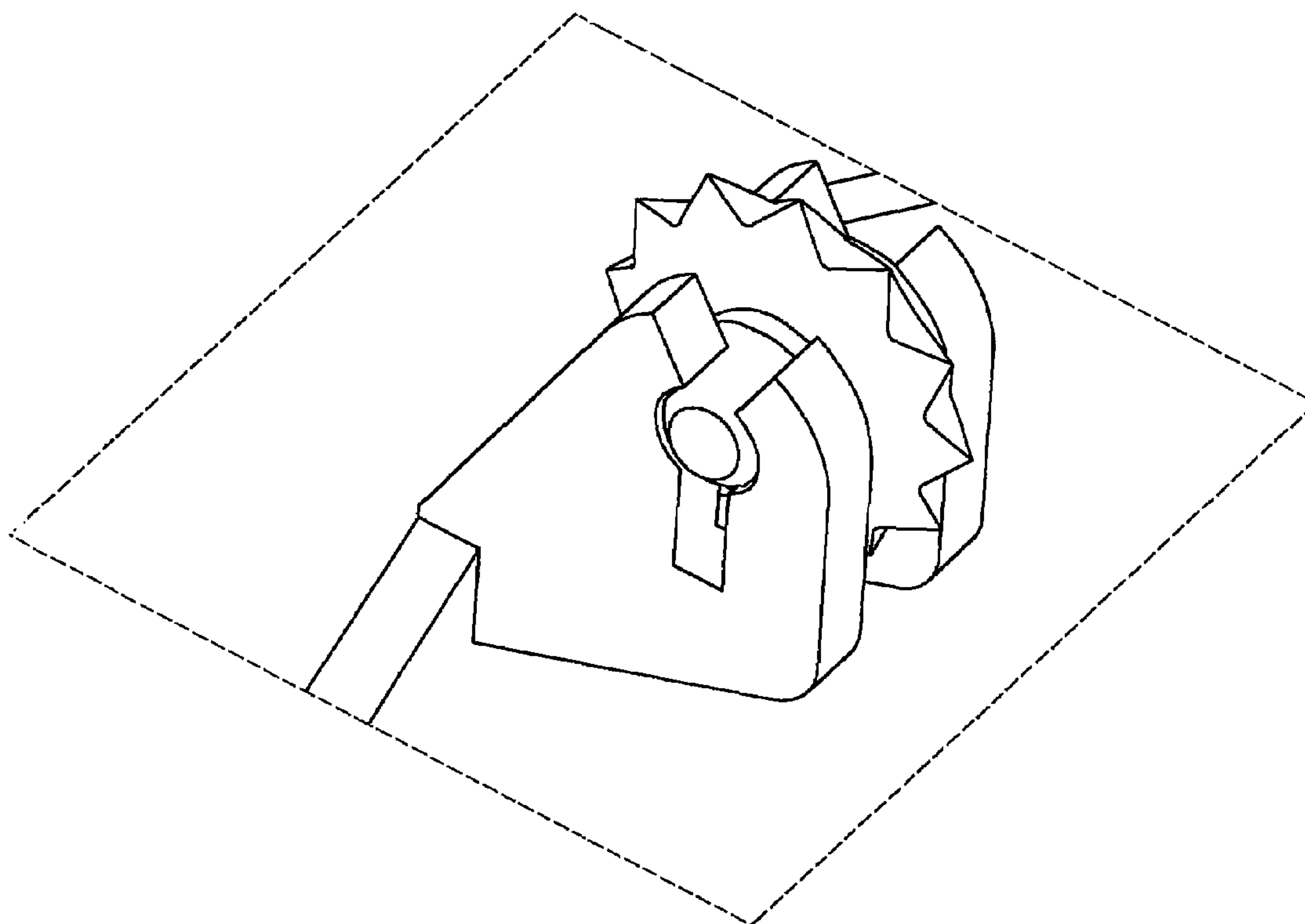


FIG. 13

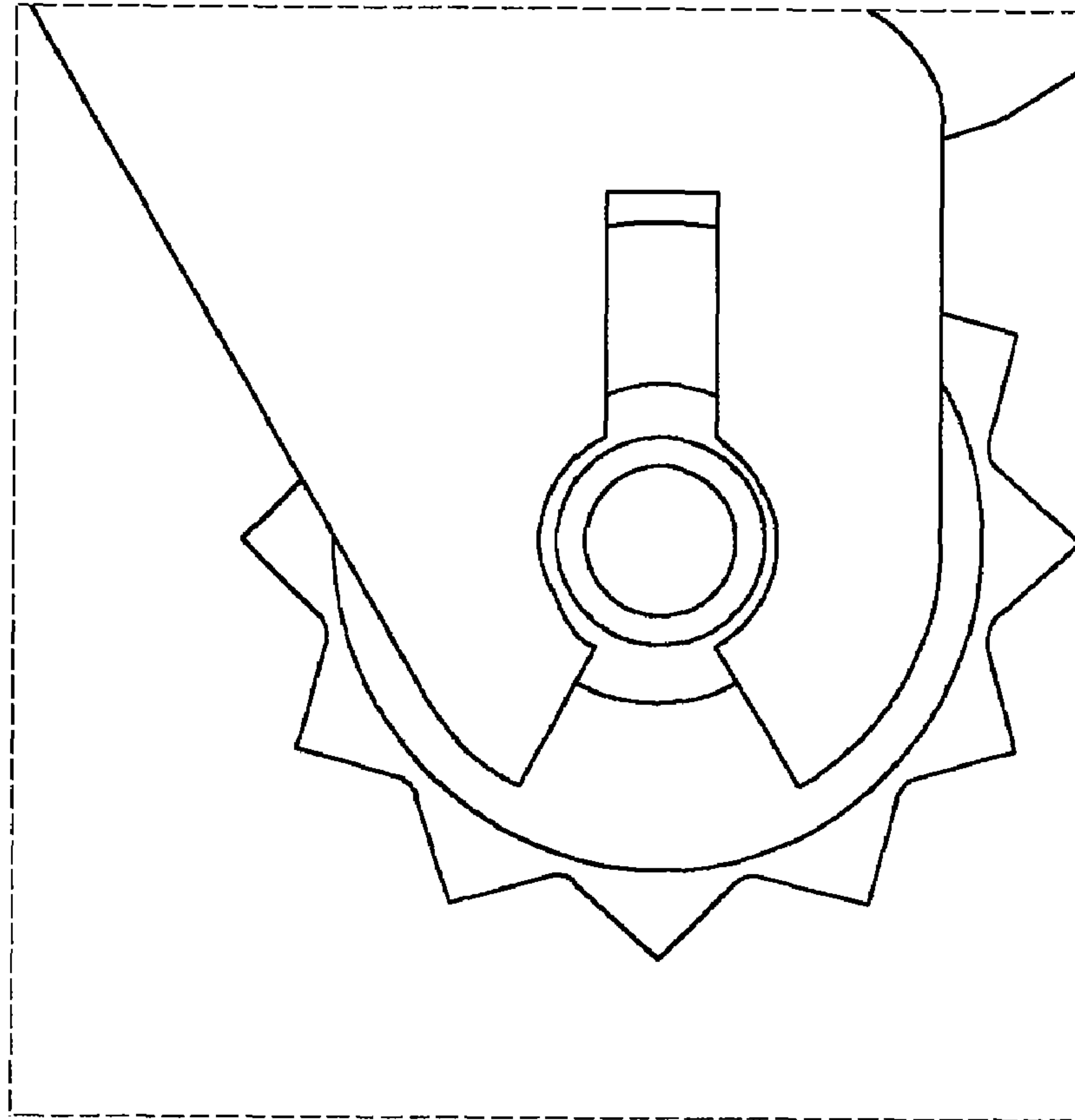


FIG. 14