



US00D581972S

(12) **United States Design Patent**
Sudmalis et al.

(10) **Patent No.:** **US D581,972 S**
(45) **Date of Patent:** **** Dec. 2, 2008**

- (54) **SHEET TRIMMER**
- (75) Inventors: **Roland Sudmalis**, Chicago, IL (US);
Jeff Kennedy, Algonquin, IL (US)
- (73) Assignee: **ACCO Brands USA LLC**, Lincolnshire,
IL (US)
- (**) Term: **14 Years**
- (21) Appl. No.: **29/302,041**
- (22) Filed: **Jan. 9, 2008**
- (51) **LOC (8) Cl.** **18-04**
- (52) **U.S. Cl.** **D18/34.8; D18/34.9**
- (58) **Field of Classification Search** D18/34.1–34.9;
241/100, 236, 101.78; 83/613, 614, 623,
83/485, 57–68; 164/468; 30/294, 296.1,
30/275.4, 276

See application file for complete search history.

(56) **References Cited**

U.S. PATENT DOCUMENTS

| | | | |
|--------------|---------|----------------|----------|
| 3,410,994 A | 11/1968 | Facto | |
| 3,668,956 A | 6/1972 | Whipple et al. | |
| D377,368 S * | 1/1997 | Rellinger | D18/34.8 |
| 5,611,255 A | 3/1997 | Evans | |
| D379,193 S * | 5/1997 | Cornell | D18/34.8 |
| 5,671,647 A | 9/1997 | Mori | |
| 5,802,942 A | 9/1998 | Cornell et al. | |
| D415,519 S | 10/1999 | Mori | |
| D417,693 S * | 12/1999 | Daley, Jr. | D18/34.8 |
| D425,548 S | 5/2000 | Rellinger | |
| 6,098,515 A | 8/2000 | Daley, Jr. | |
| D469,461 S * | 1/2003 | Gstalder | D18/34.8 |
| 6,776,077 B1 | 8/2004 | Chen | |
| 6,931,974 B2 | 8/2005 | Tseng | |
| 6,951,159 B2 | 10/2005 | Lin et al. | |
| 6,990,884 B2 | 1/2006 | Tseng | |
| 7,044,042 B2 | 5/2006 | Schultz et al. | |
| D528,590 S * | 9/2006 | Bathard et al. | D18/34.8 |
| D531,204 S * | 10/2006 | Nakamura | D18/34.8 |
| 7,131,363 B2 | 11/2006 | Tseng | |
| D536,367 S * | 2/2007 | Gunter et al. | D18/34.9 |
| D559,304 S * | 1/2008 | Lam et al. | D18/34.8 |
| D559,305 S * | 1/2008 | Lam et al. | D18/34.8 |
| D559,307 S * | 1/2008 | Lam et al. | D18/34.9 |

| | | | |
|-----------------|---------|------------------|----------|
| 7,357,057 B2 * | 4/2008 | Chiang | 83/614 |
| D569,416 S * | 5/2008 | Ayala | D18/34.9 |
| 2003/0140757 A1 | 7/2003 | Carlson et al. | |
| 2003/0182807 A1 | 10/2003 | Lin et al. | |
| 2004/0149108 A1 | 8/2004 | McLean et al. | |
| 2004/0216571 A1 | 11/2004 | Schultz et al. | |
| 2005/0120850 A1 | 6/2005 | Loibl | |
| 2005/0172774 A1 | 8/2005 | Tseng | |
| 2005/0223863 A1 | 10/2005 | Volfson et al. | |
| 2005/0284278 A1 | 12/2005 | Shimizu et al. | |
| 2006/0053994 A1 | 3/2006 | Carrilo et al. | |
| 2006/0090621 A1 | 5/2006 | Shimizu | |
| 2006/0201303 A1 | 9/2006 | Tseng | |
| 2006/0219078 A1 | 10/2006 | Parrish et al. | |
| 2006/0260455 A1 | 11/2006 | Yeghiayan et al. | |

FOREIGN PATENT DOCUMENTS

EP 1612008 A1 1/2006

OTHER PUBLICATIONS

GBC AccuCut A200 Dial-a-Blade, Sales material, undated, one page.
GBC AccuCut A425 pro, Photo, undated, one page.

* cited by examiner

Primary Examiner—Charles A Rademaker

(74) *Attorney, Agent, or Firm*—Michael Best & Friedrich LLP

(57) **CLAIM**

The ornamental design for a sheet trimmer, as shown and described.

DESCRIPTION

FIG. 1 is a perspective view of a sheet trimmer showing our new design;

FIG. 2 is a right side elevation thereof;

FIG. 3 is a front elevation thereof;

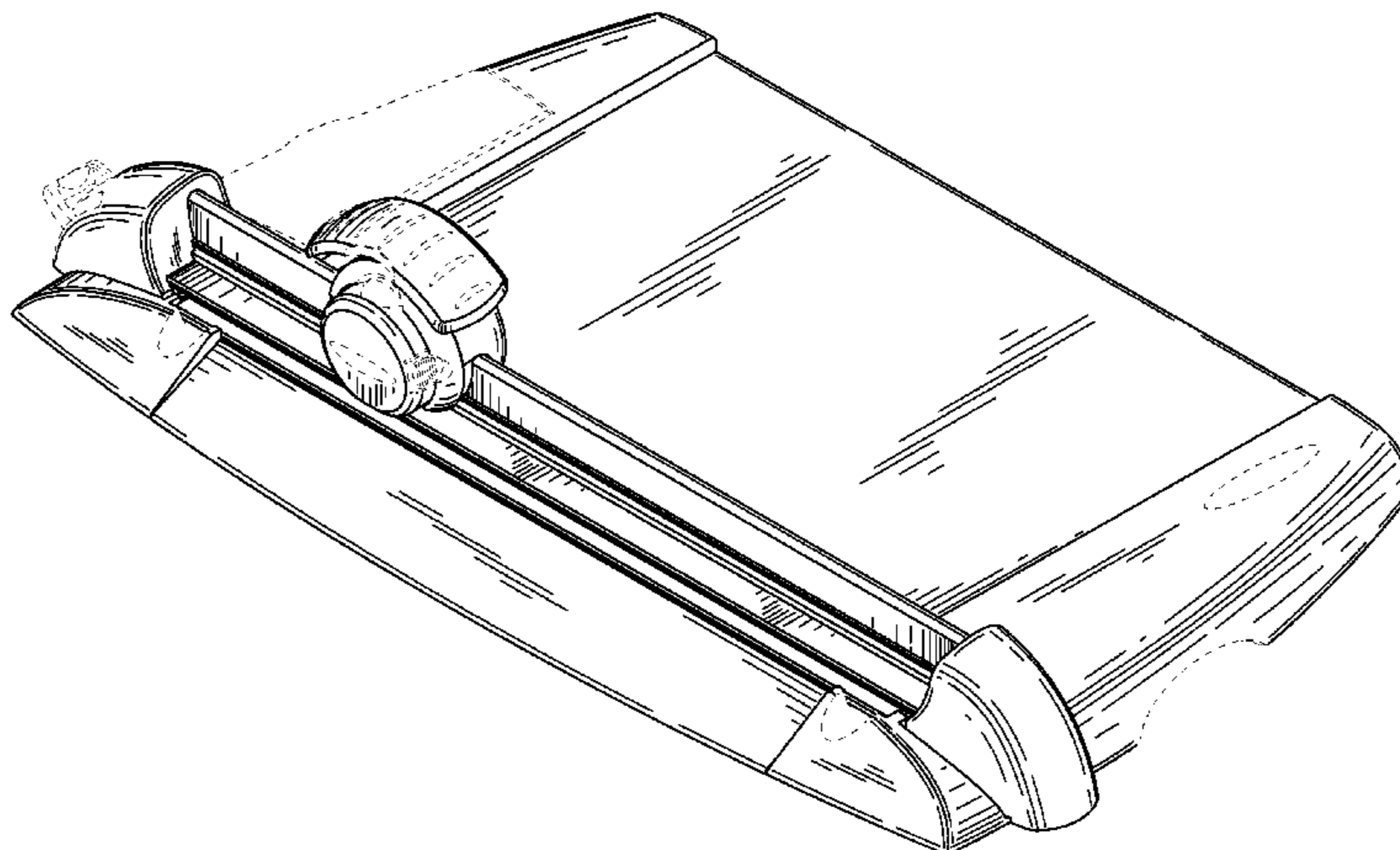
FIG. 4 is a left side elevation view thereof;

FIG. 5 is a rear elevation thereof; and,

FIG. 6 is a top plan view thereof.

The elements shown in broken lines form no part of the claimed design.

1 Claim, 4 Drawing Sheets



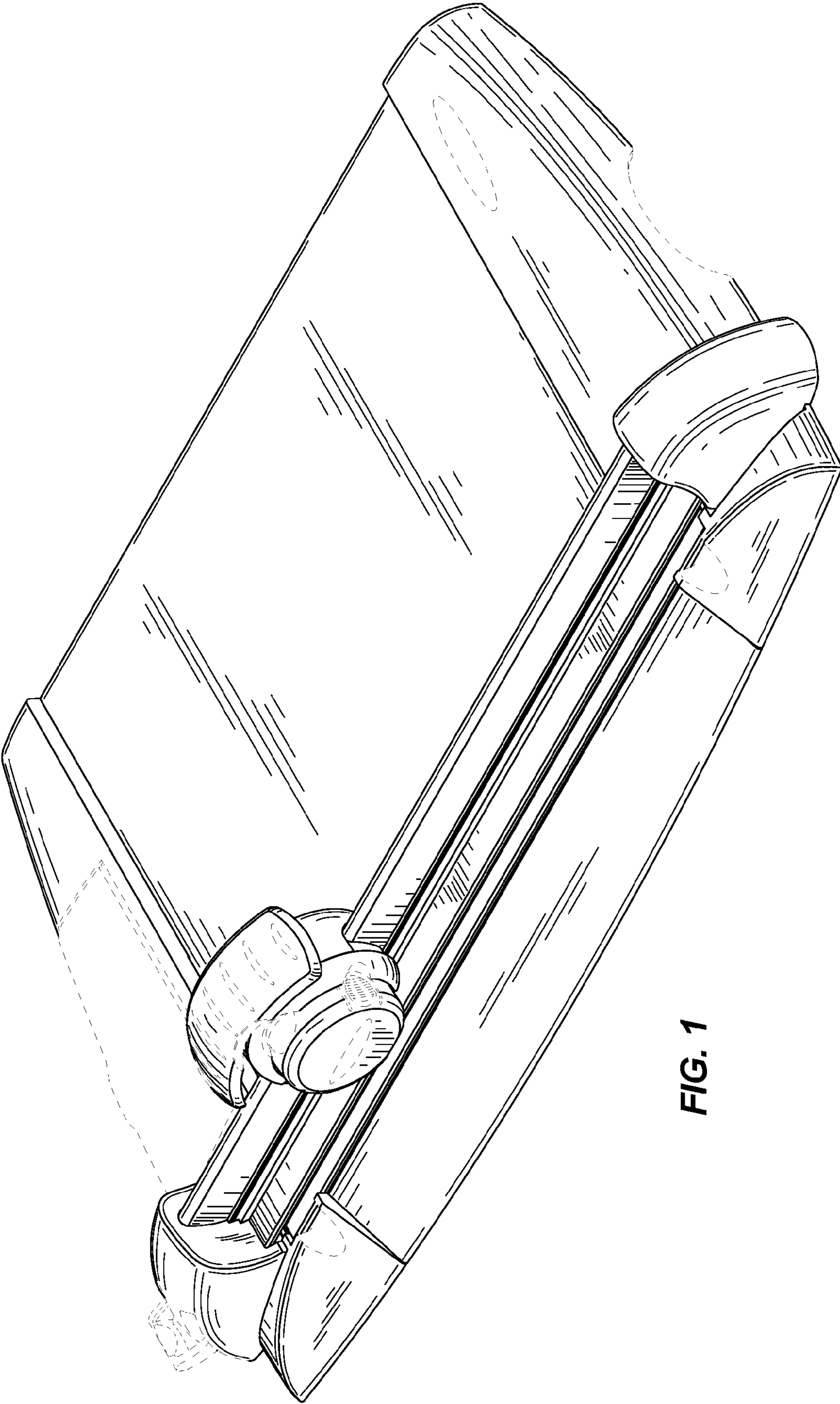


FIG. 1

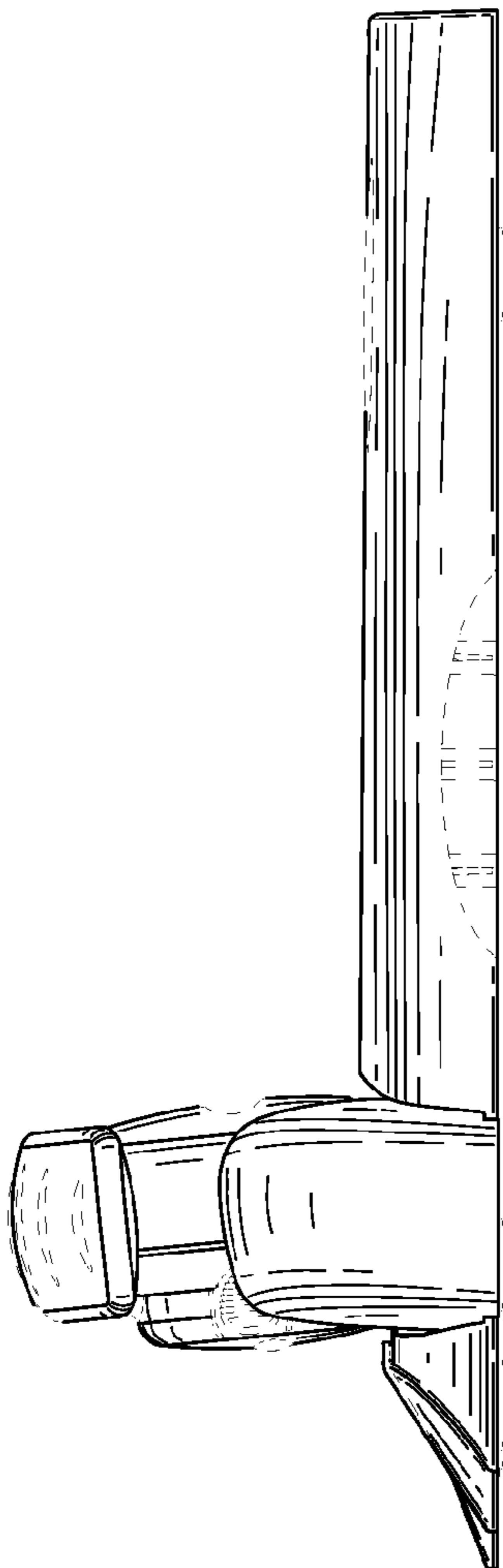


FIG. 2

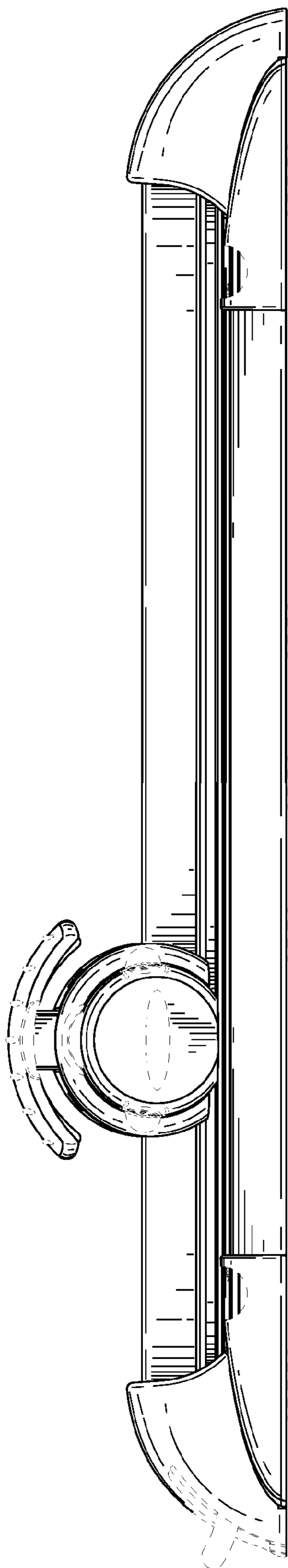


FIG. 3

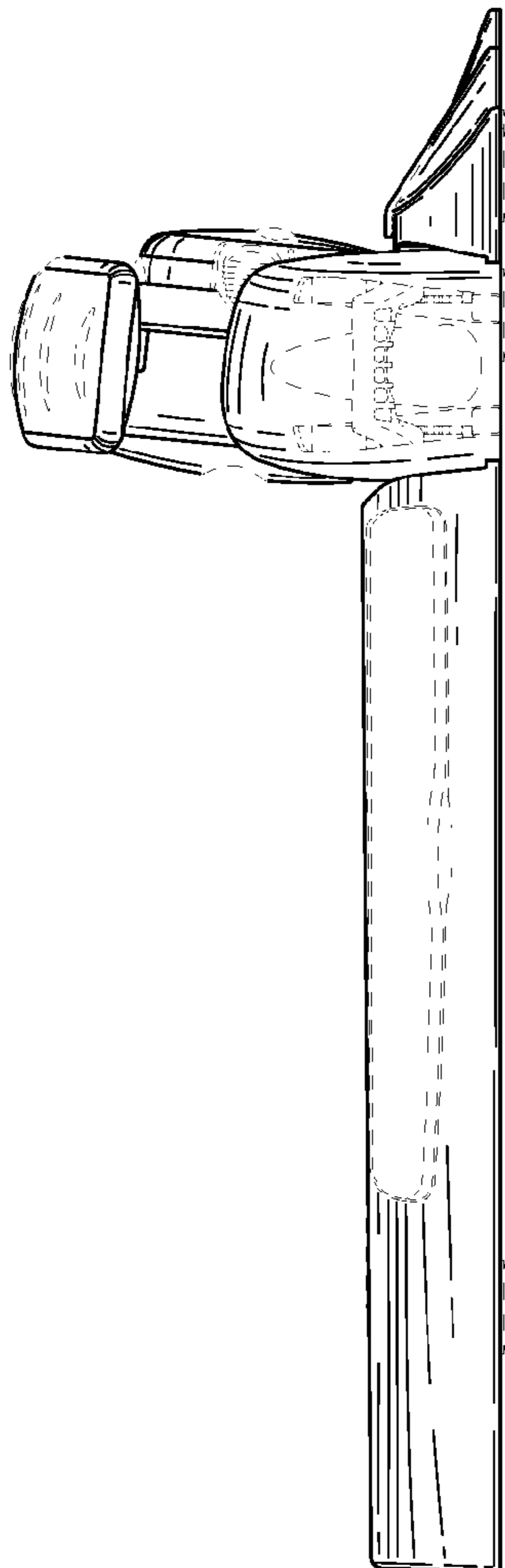


FIG. 4

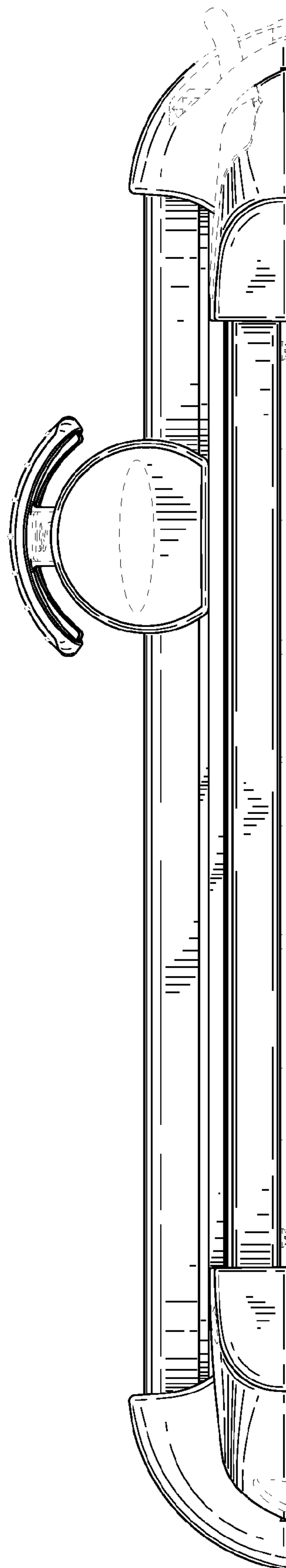


FIG. 5

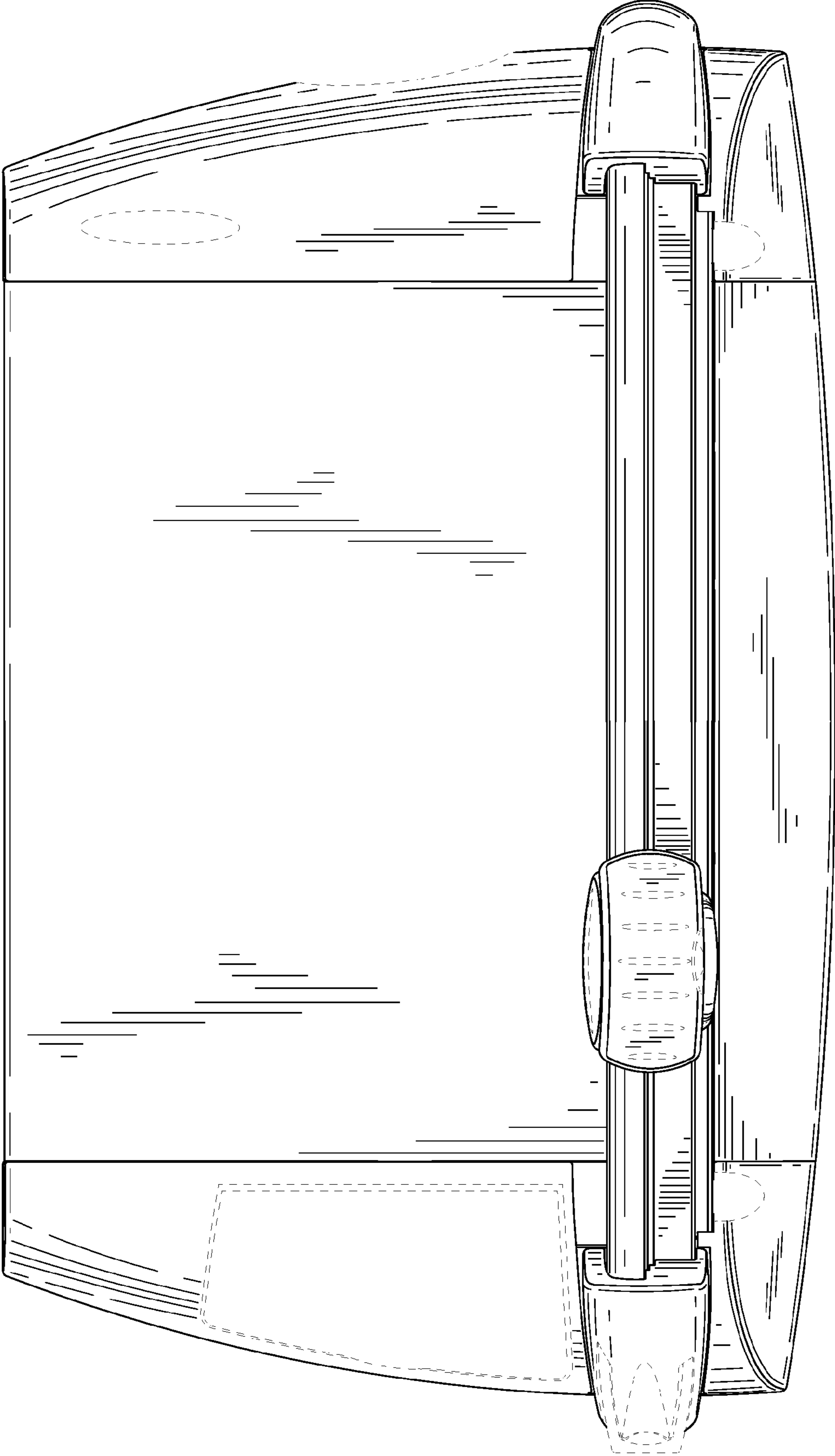


FIG. 6