



US00D581971S

(12) **United States Design Patent**
Nakao et al.

(10) **Patent No.:** **US D581,971 S**
(45) **Date of Patent:** **** Dec. 2, 2008**

(54) **ELECTRONIC PICKUP**

(75) Inventors: **Koichi Nakao**, Hamamatsu (JP);
Masahiro Kitagawa, Hamamatsu (JP)

(73) Assignee: **Roland Corporation**, Hamamatsu (JP)

(**) Term: **14 Years**

(21) Appl. No.: **29/261,869**

(22) Filed: **Jun. 21, 2006**

(30) **Foreign Application Priority Data**

Jan. 6, 2006 (JP) 2006-000066

(51) **LOC (8) Cl.** **17-04**

(52) **U.S. Cl.** **D17/22**

(58) **Field of Classification Search** D17/22,
D17/99; 84/730, 411 R, 723-725, 453, 414,
84/600, 107, 104, DIG. 12, DIG. 24; 310/327
See application file for complete search history.

(56) **References Cited**

U.S. PATENT DOCUMENTS

4,870,883	A *	10/1989	Gauger	84/413
5,036,742	A *	8/1991	Youakim	84/411 R
5,345,037	A *	9/1994	Nordelius	84/730
5,449,964	A *	9/1995	Snyder	310/330
D454,906	S	3/2002	Senda et al.	
D492,342	S	6/2004	Kamijima et al.	
6,794,569	B2 *	9/2004	Kamijima et al.	84/746
D497,935	S	11/2004	Kamijima et al.	
D507,591	S	7/2005	Kamijima et al.	
7,214,871	B2 *	5/2007	Hasenmaier	84/723

OTHER PUBLICATIONS

U.S. Appl. No. 29/231,914, filed Jun. 10, 2005, Roland Corporation.

* cited by examiner

Primary Examiner—Ian Simmons

Assistant Examiner—R. Johnson

(74) *Attorney, Agent, or Firm*—Foley & Lardner LLP

(57) **CLAIM**

We claim the ornamental design for an electronic pickup, as shown and described.

DESCRIPTION

FIG. 1 is a top view of an electronic pickup according to the claimed design;

FIG. 2 is a bottom view of an electronic pickup according to the claimed design;

FIG. 3 is a right-side view of an electronic pickup according to the claimed design;

FIG. 4 is a left-side view of an electronic pickup according to the claimed design;

FIG. 5 is a front view of an electronic pickup according to the claimed design;

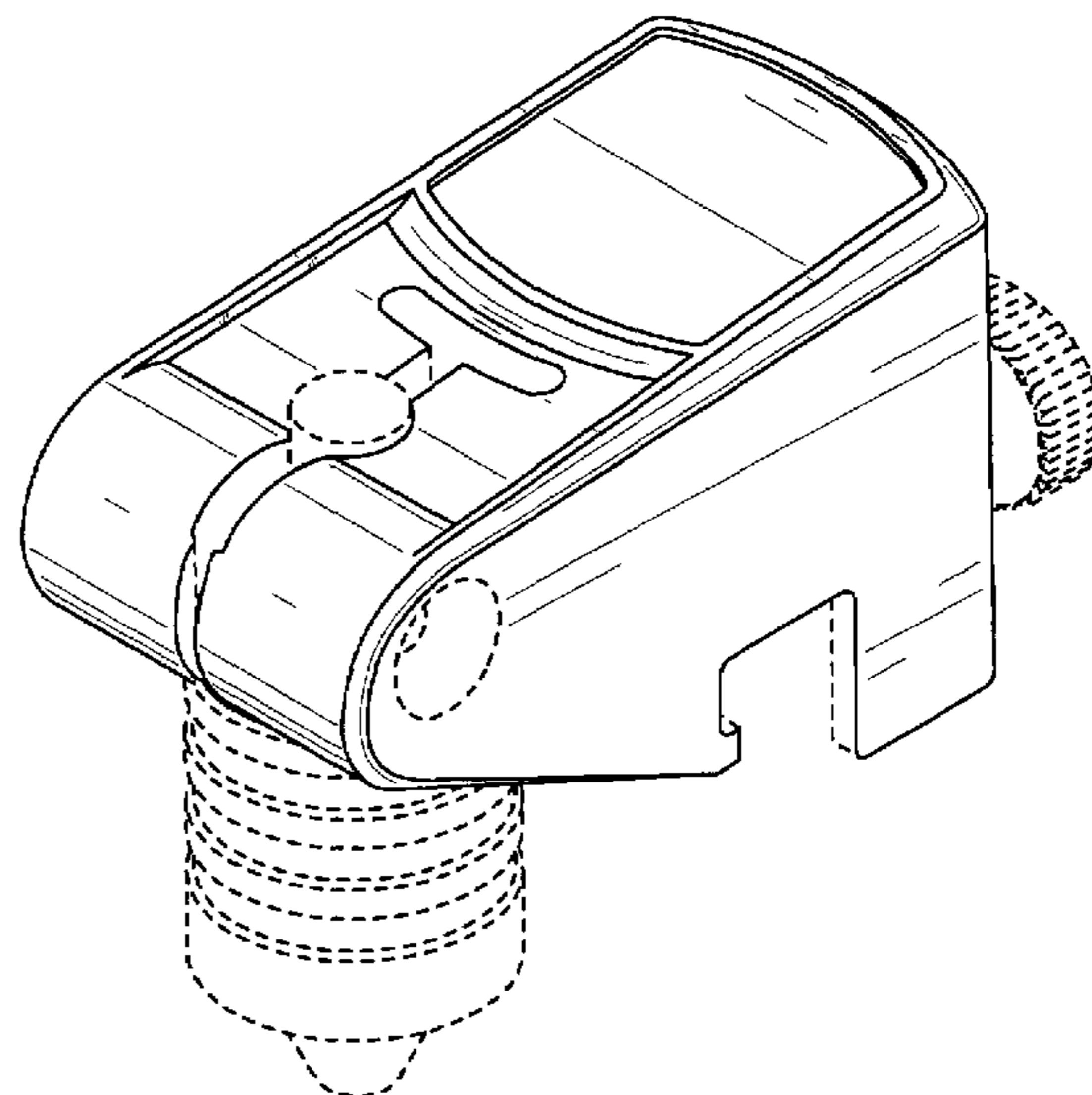
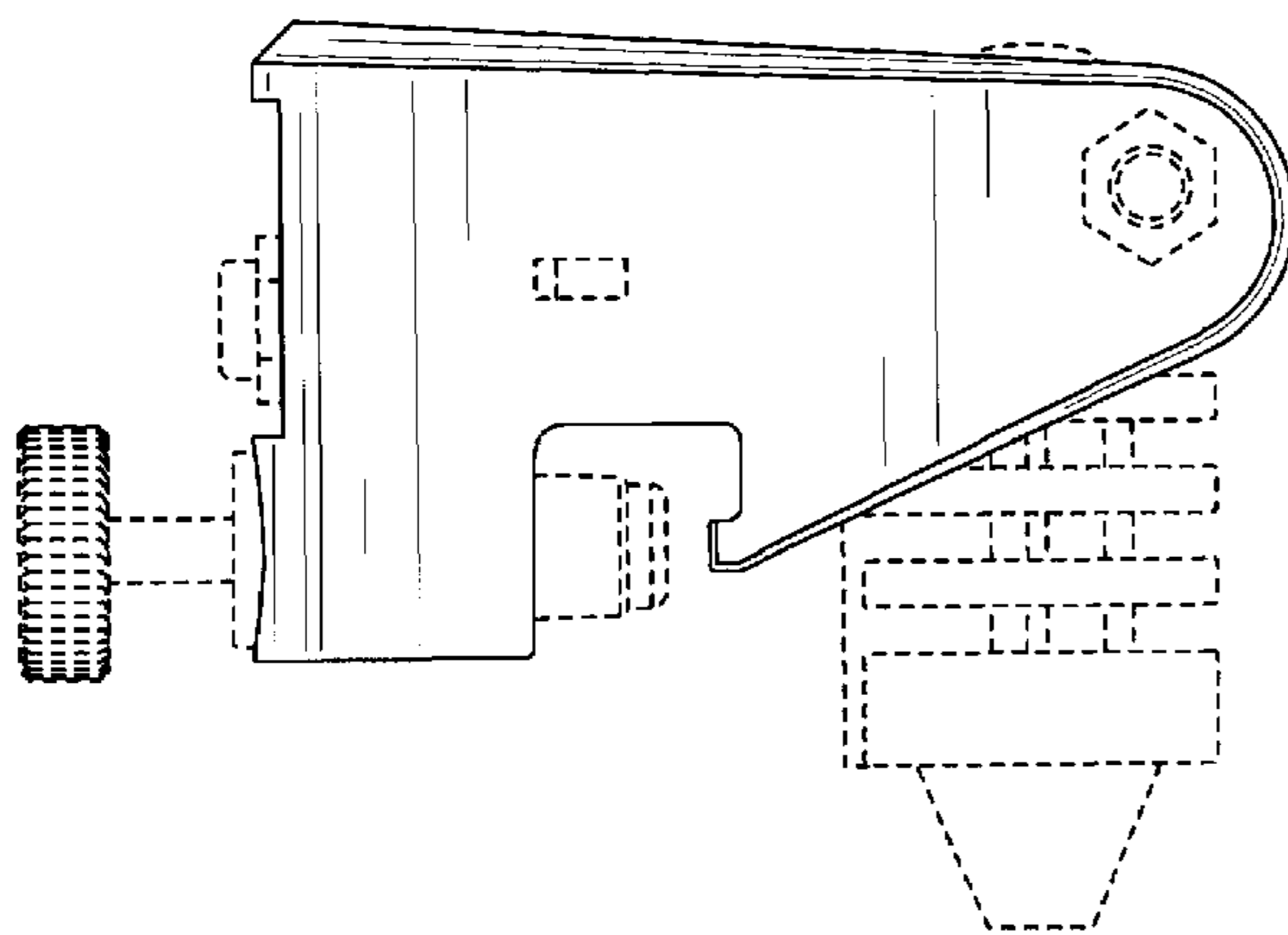
FIG. 6 is a rear view of an electronic pickup according to the claimed design;

FIG. 7 is a perspective view of an electronic pickup according to the claimed design; and,

FIG. 8 is a perspective view of an electronic pickup according to the claimed design, as mounted on a bass drum (where the bass drum is shown in broken lines and is not part of the claimed design).

The broken lines in the drawings are for illustrative purposes only and form no part of the claimed design.

1 Claim, 8 Drawing Sheets



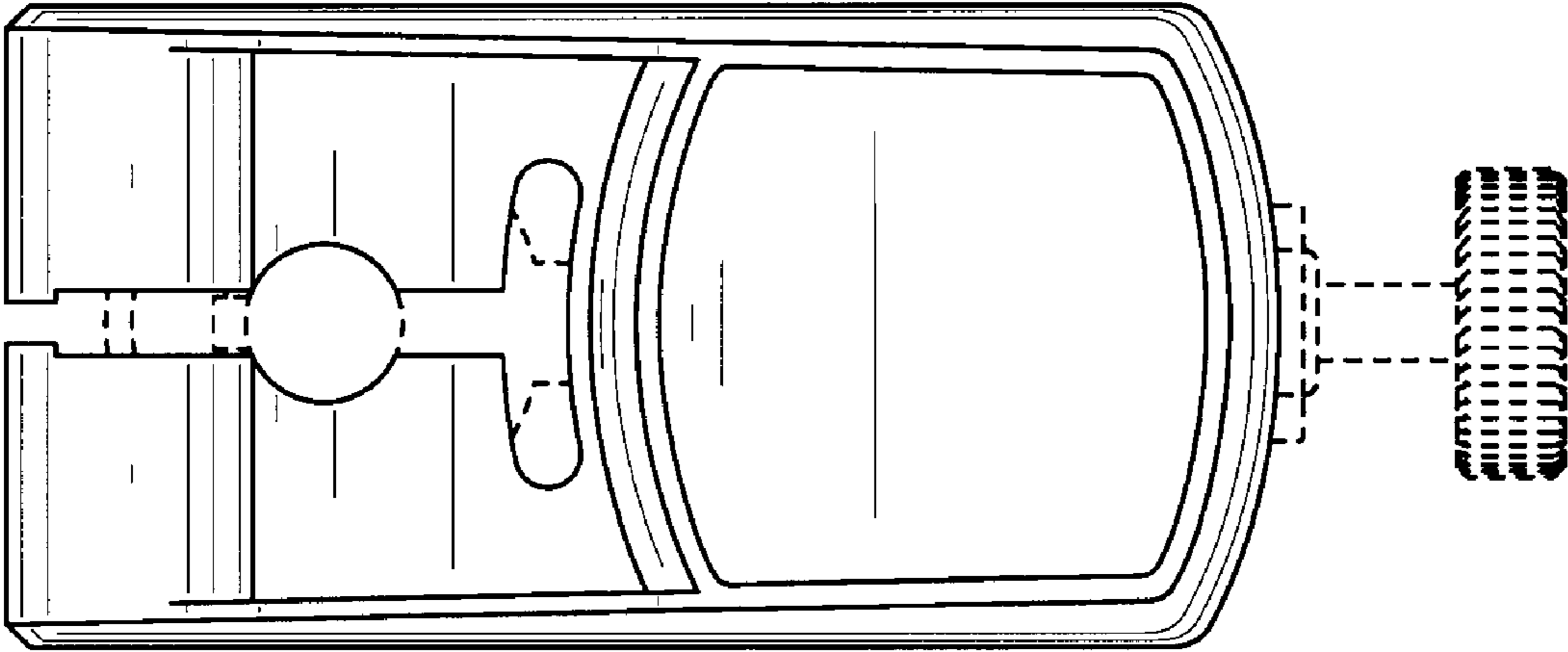


FIG. 1

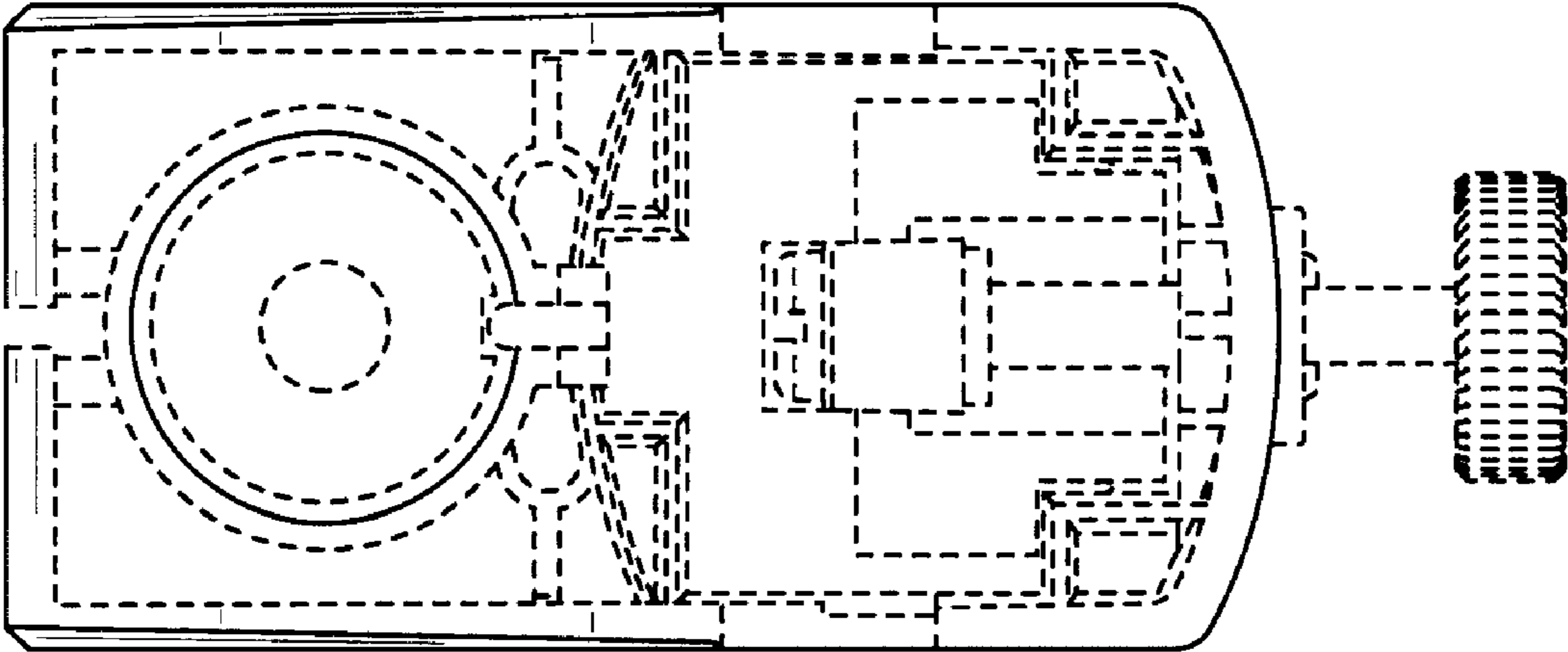


FIG. 2

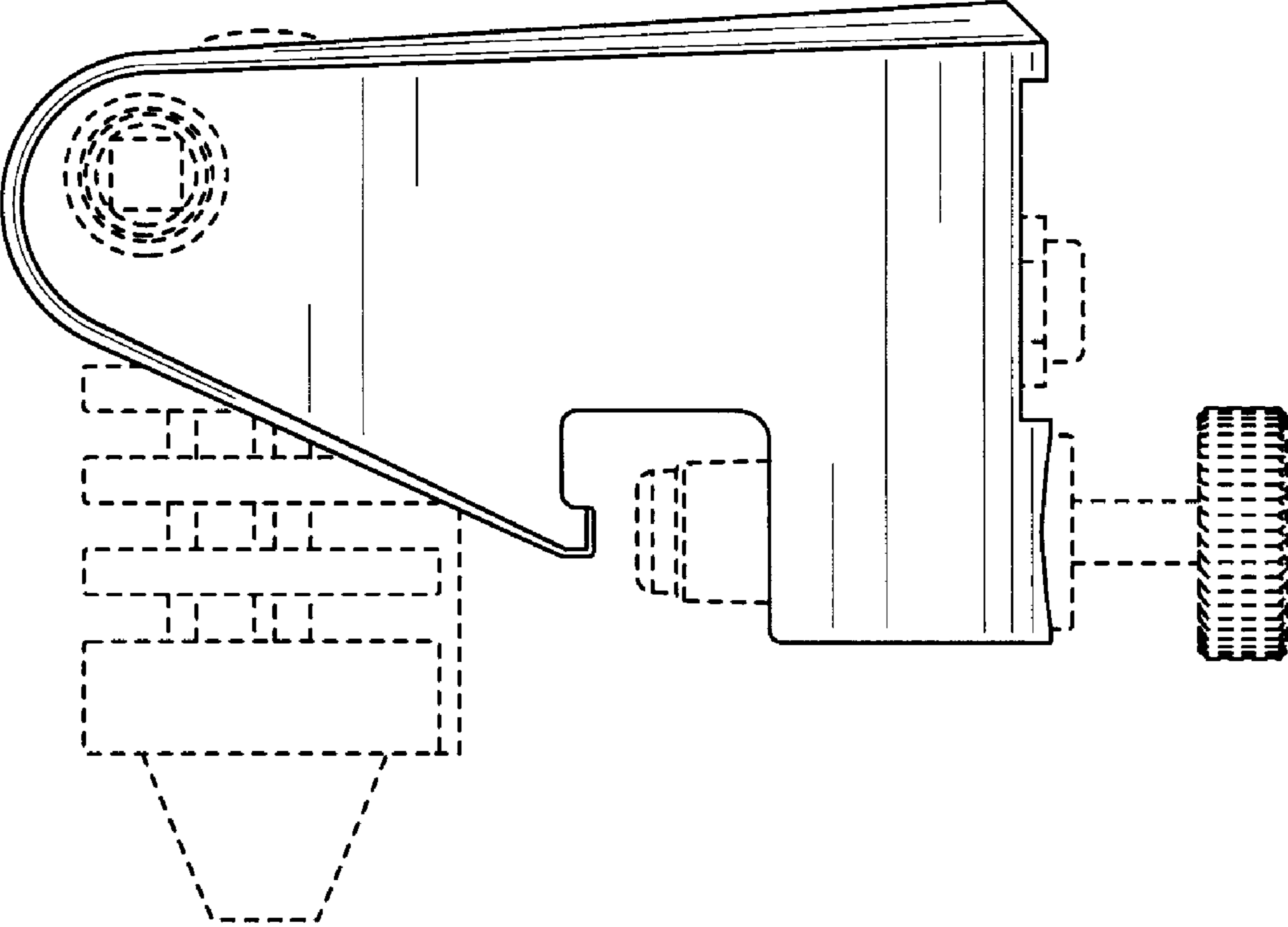


FIG. 3

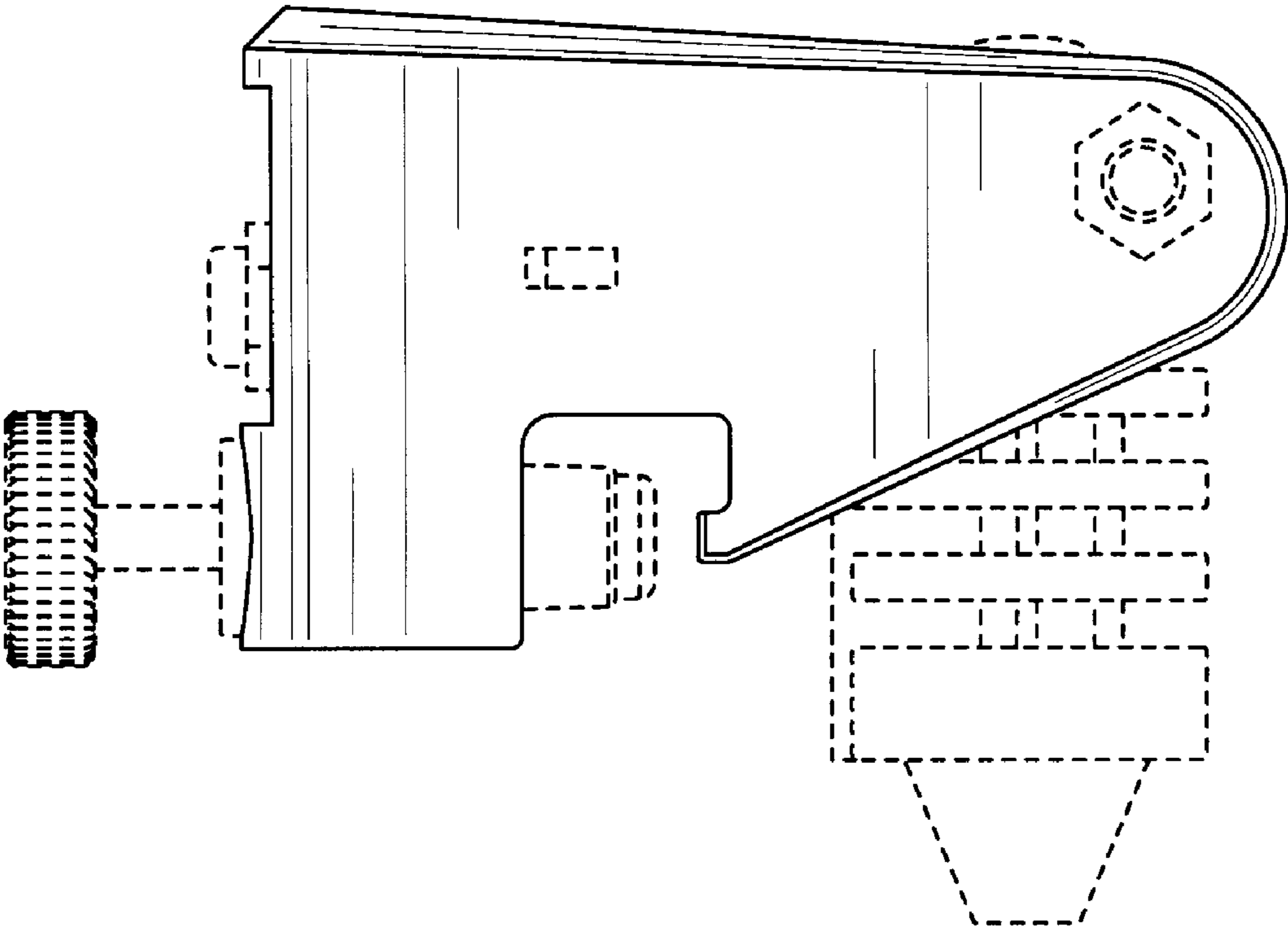


FIG. 4

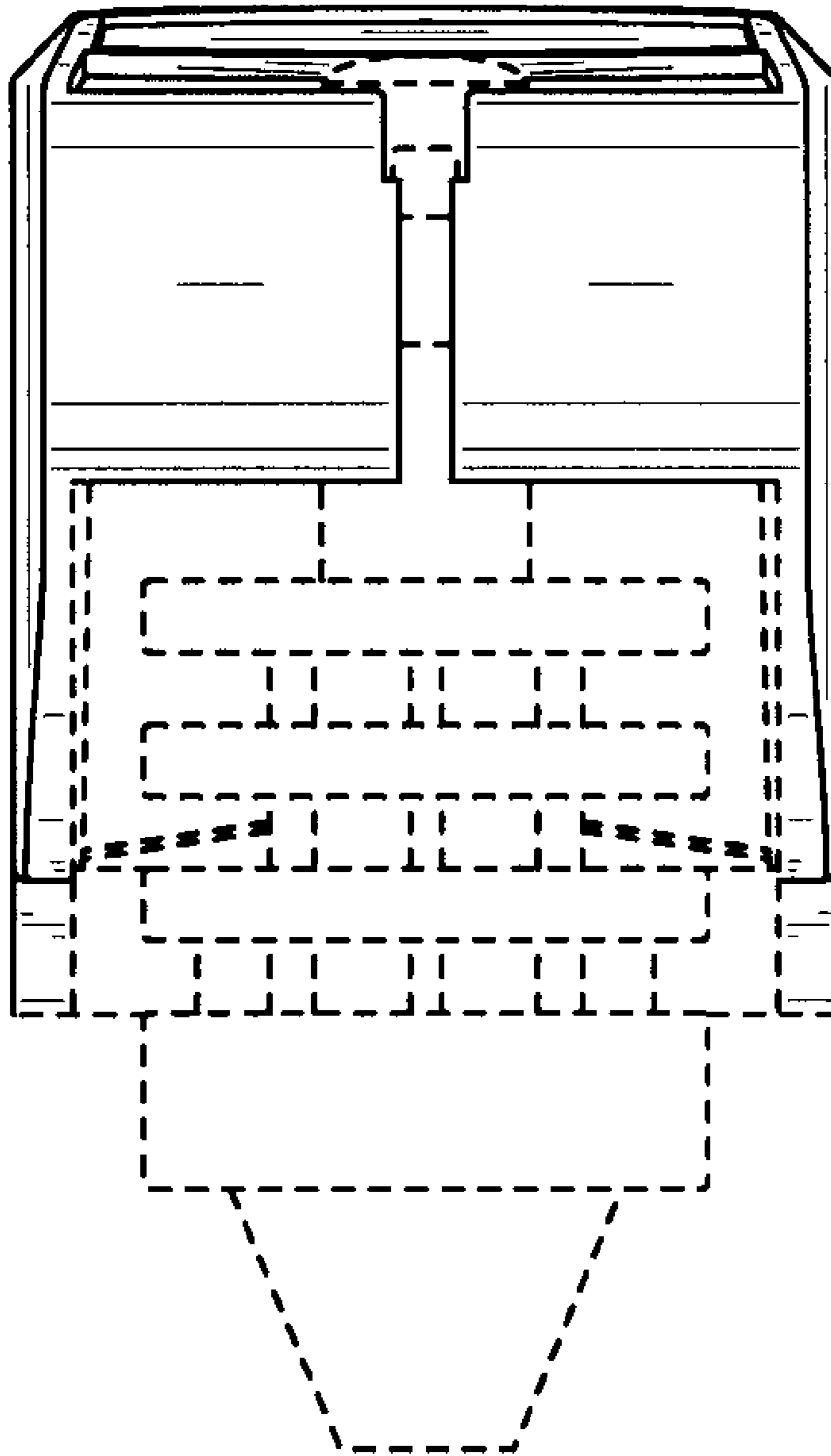


FIG. 5

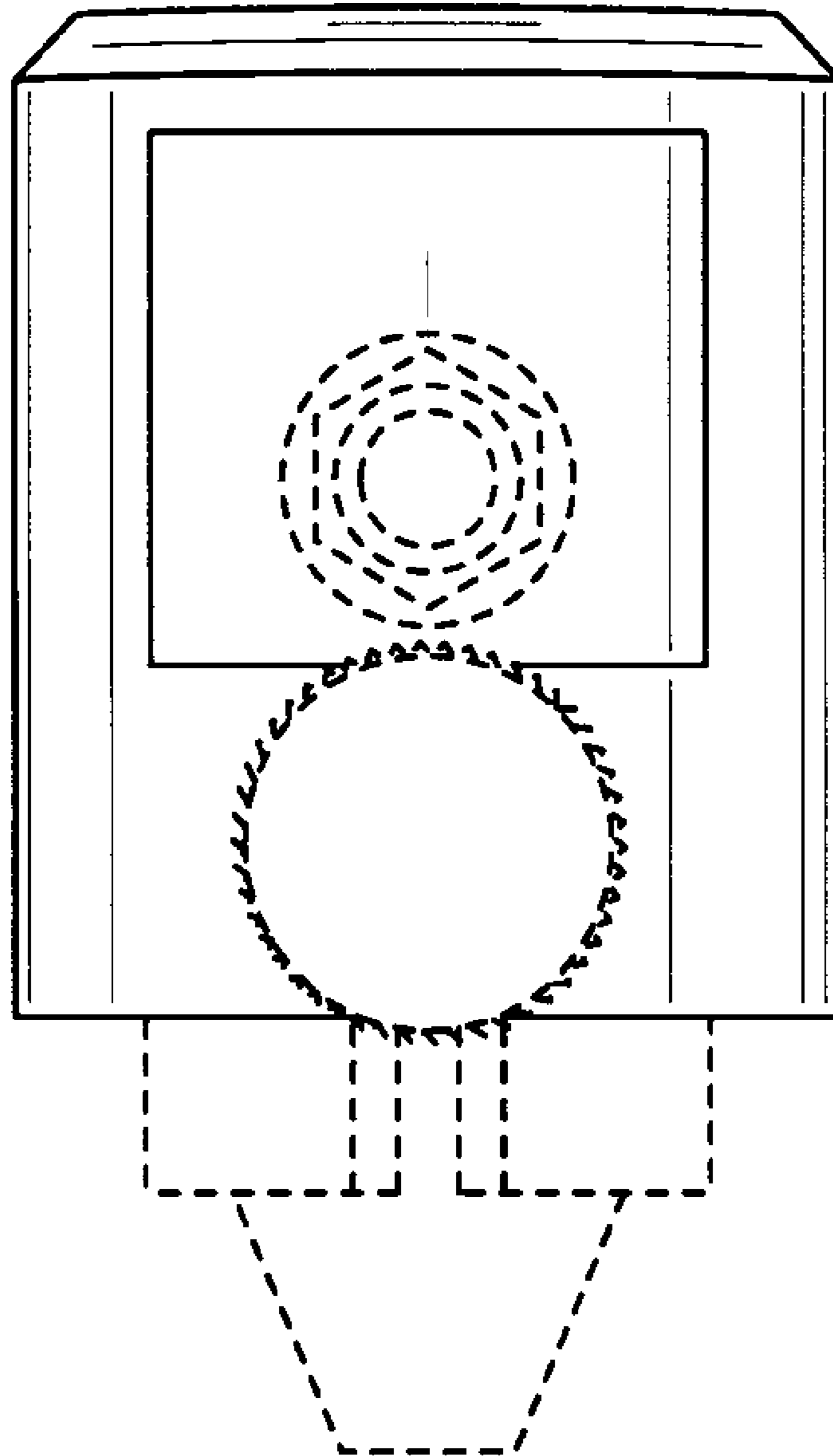


FIG. 6

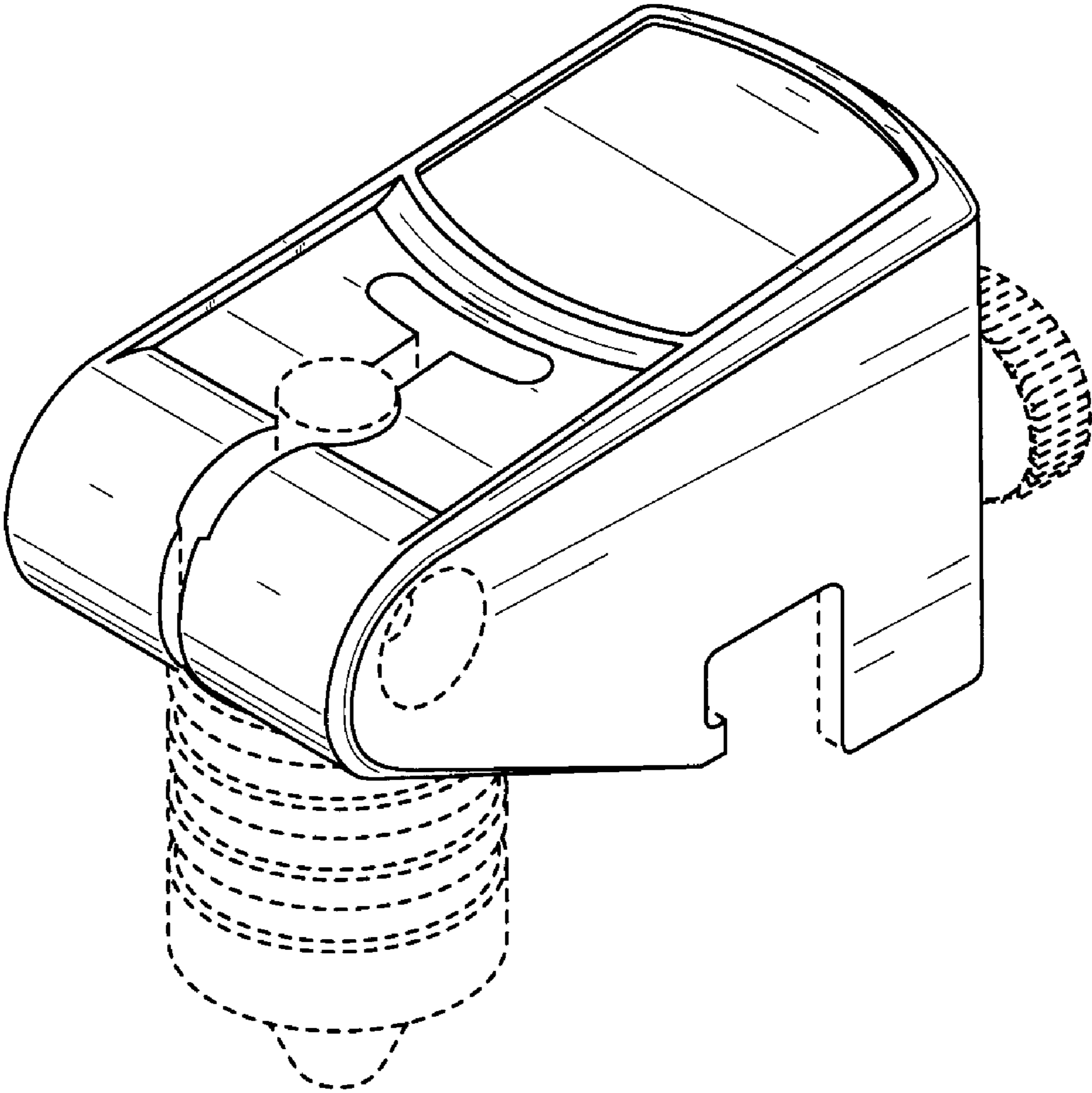


FIG. 7

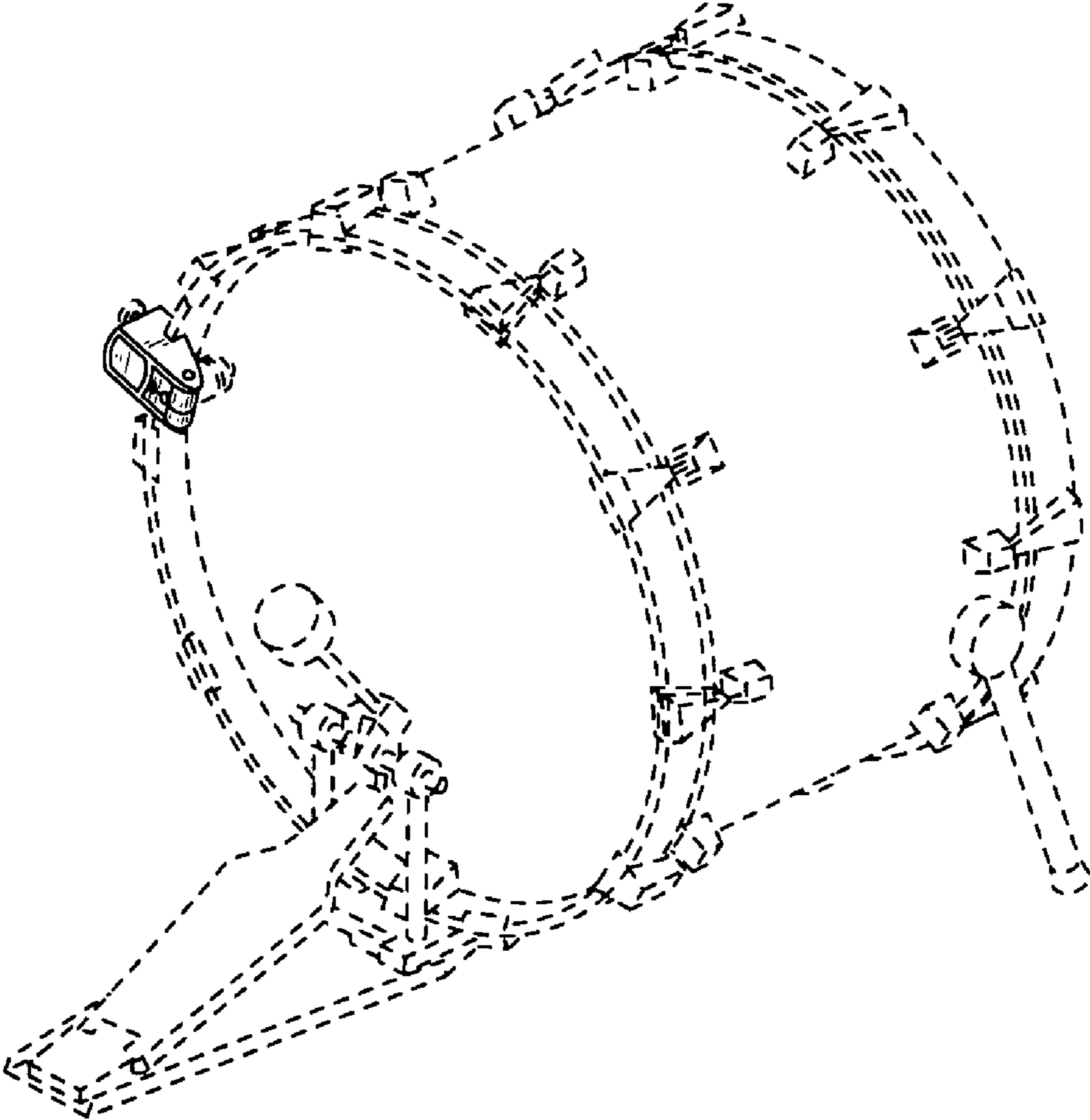


FIG. 8