



US00D581967S

(12) **United States Design Patent**
Murray

(10) **Patent No.:** **US D581,967 S**
(45) **Date of Patent:** **** Dec. 2, 2008**

(54) **INFLATOR**

(75) Inventor: **Thomas W. Murray**, Baltimore, MD
(US)

(73) Assignee: **Black & Decker Inc.**, Newark, DE (US)

(**) Term: **14 Years**

(21) Appl. No.: **29/304,310**

(22) Filed: **Feb. 28, 2008**

(51) **LOC (8) Cl.** **15-02**

(52) **U.S. Cl.** **D179**

(58) **Field of Classification Search** D15/7-9;
D23/231, 232, 225; 417/410.1, 359, 415-416,
417/234, 321, 265, 405
See application file for complete search history.

D507,278 S *	7/2005	Moser, III	D15/9
D508,922 S *	8/2005	Li et al.	D15/9
6,938,437 B2	9/2005	Velez et al.		
6,979,322 B2	12/2005	Chu et al.		
D520,522 S *	5/2006	Bakker et al.	D15/7
D538,300 S *	3/2007	Moser	D15/9
D549,735 S *	8/2007	Moser, III et al.	D15/9
D549,736 S *	8/2007	Moser, III et al.	D15/9
7,316,177 B2 *	1/2008	Bakker et al.	92/24
2005/0140141 A1	6/2005	Velez et al.		

* cited by examiner

Primary Examiner—R. Seifert

(74) *Attorney, Agent, or Firm*—Wesley W. Muller

(57) **CLAIM**

The ornamental design for an inflator, as shown and described.

(56) **References Cited**

U.S. PATENT DOCUMENTS

2,332,682 A	10/1943	Yelinek
2,771,780 A	11/1956	Lafitte
2,978,262 A	4/1961	Franck
3,038,366 A	6/1962	Hindman
3,332,708 A	7/1967	Jackson et al.
3,482,863 A	12/1969	Jackson
3,596,933 A	8/1971	Luckenbill
3,788,688 A	1/1974	Chandler
4,489,855 A	12/1984	Boetger
4,567,814 A	2/1986	Eldridge
4,672,858 A	6/1987	Langowski
5,199,838 A	4/1993	Luke et al.
5,215,137 A	6/1993	Weeks et al.
5,693,025 A	12/1997	Stevens
6,604,900 B2	8/2003	Ikami et al.
6,702,336 B1	3/2004	Chelchowski et al.

DESCRIPTION

FIG. 1 is a front perspective view of an inflator according to the present invention;

FIG. 2 is a left side view of the inflator of FIG. 1;

FIG. 3 is a right side view of the inflator of FIG. 1;

FIG. 4 is a top view of the inflator of FIG. 1;

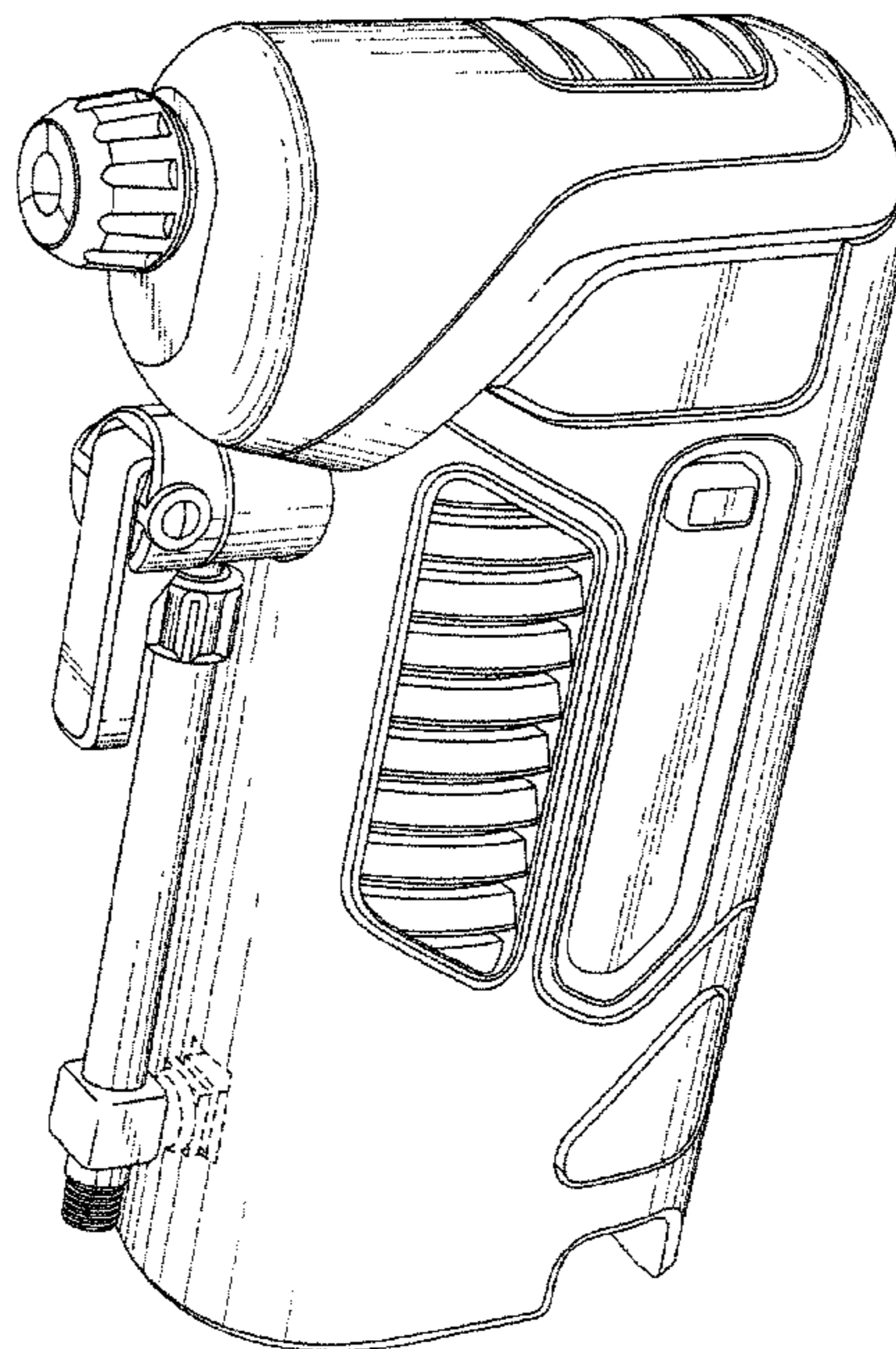
FIG. 5 is a bottom view of the inflator of FIG. 1;

FIG. 6 is an elevated bottom view of the inflator of FIG. 1; and,

FIG. 7 is an elevated top view of the inflator of FIG. 1.

The broken lines in the figures merely illustrate the environment for the inflator of the present design and therefore form no part of the claimed design.

1 Claim, 7 Drawing Sheets



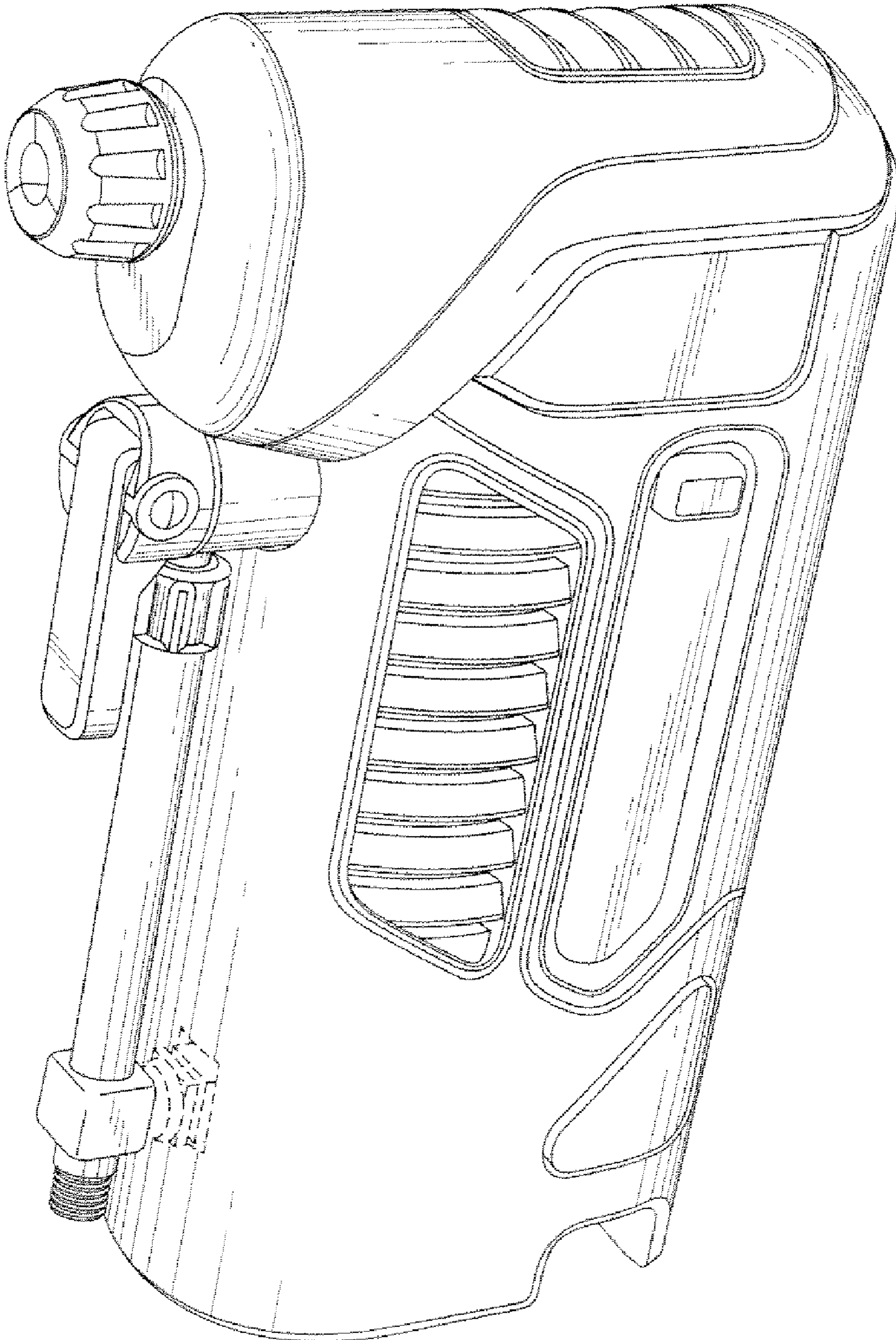


Fig. 1

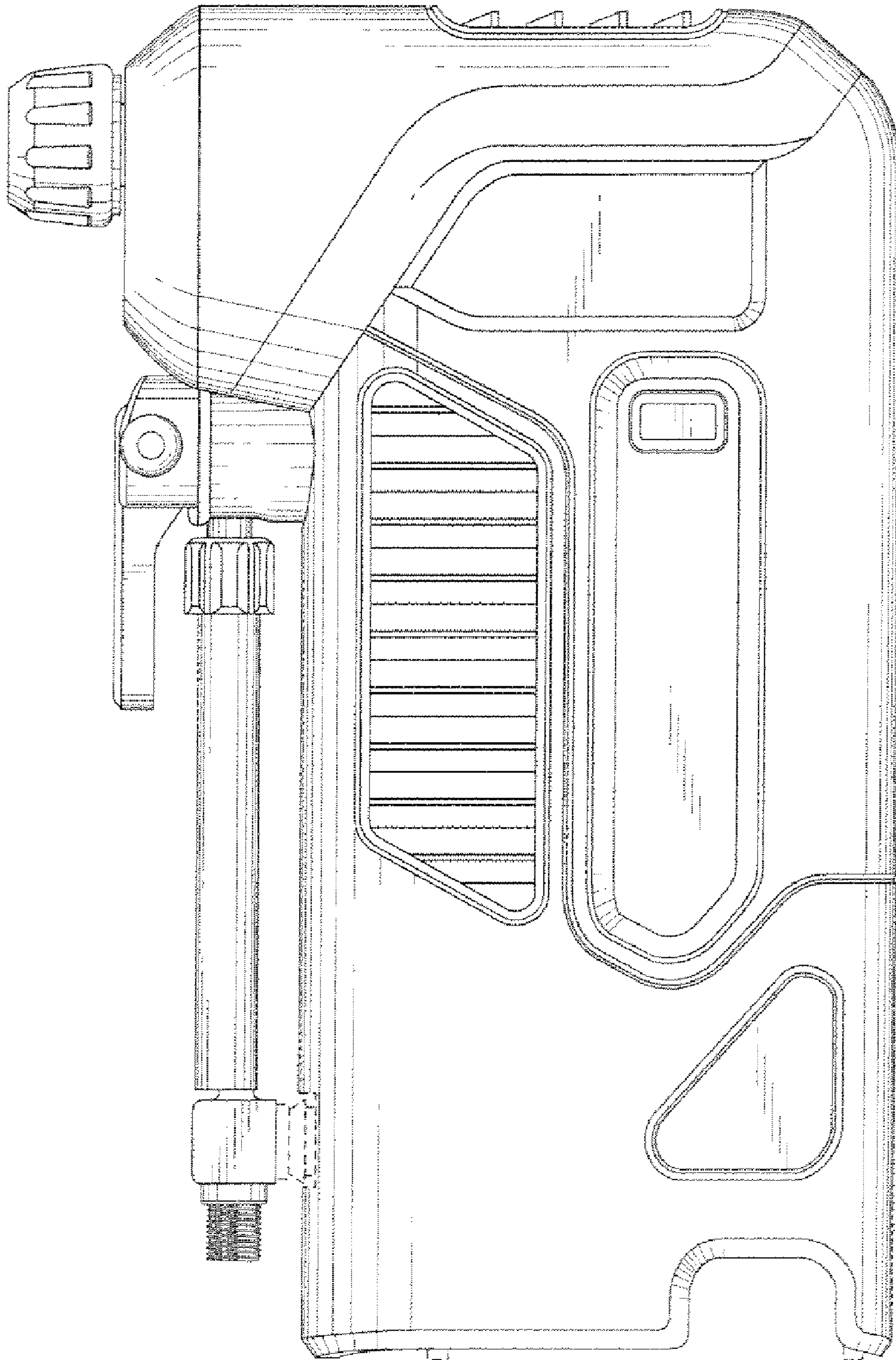


Fig. 2

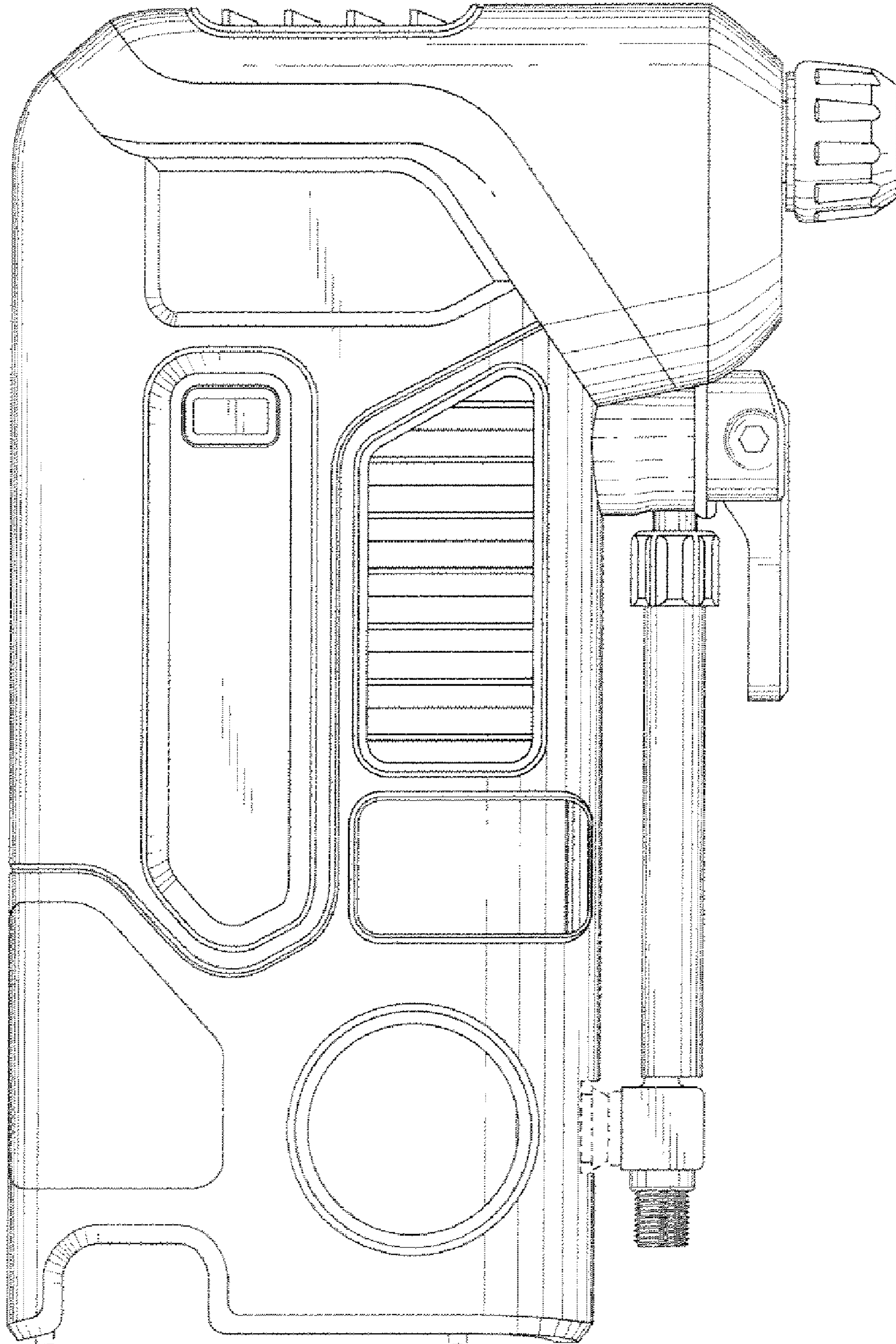


Fig. 3

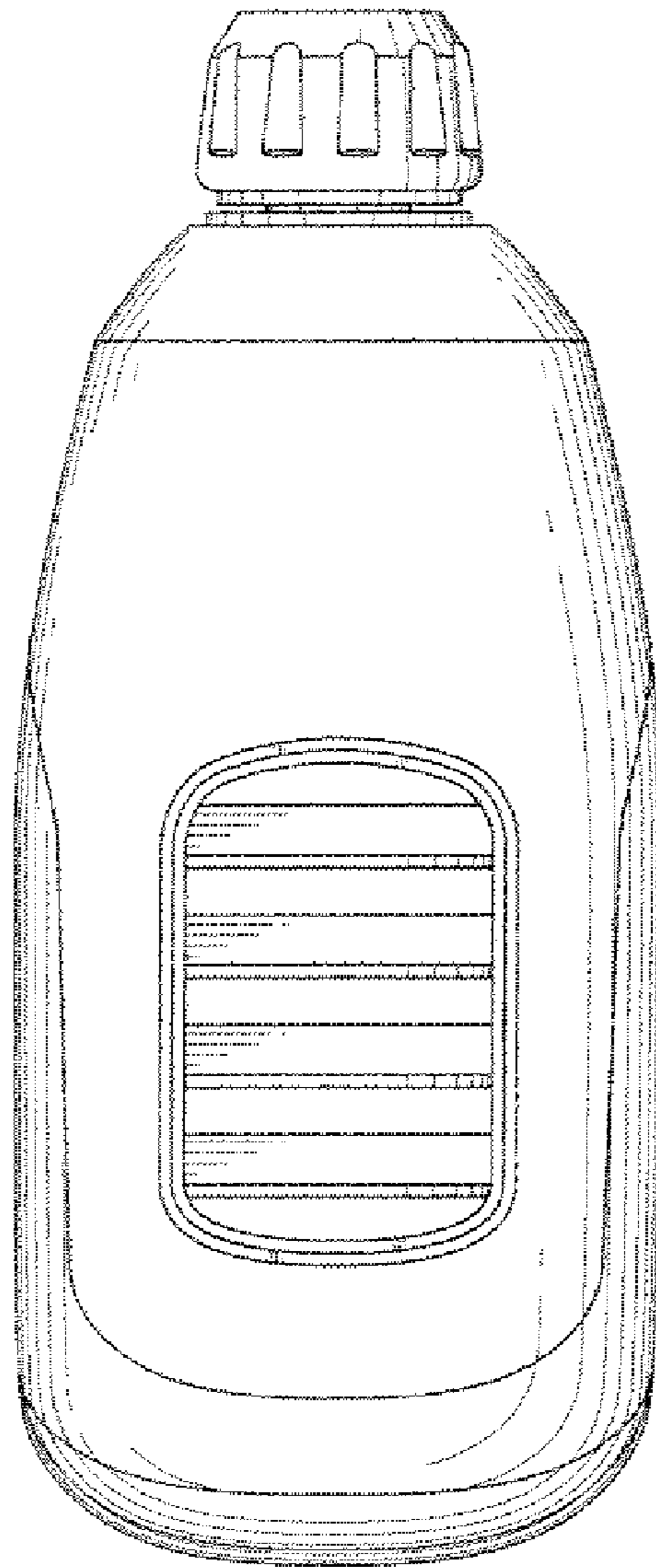


Fig. 4

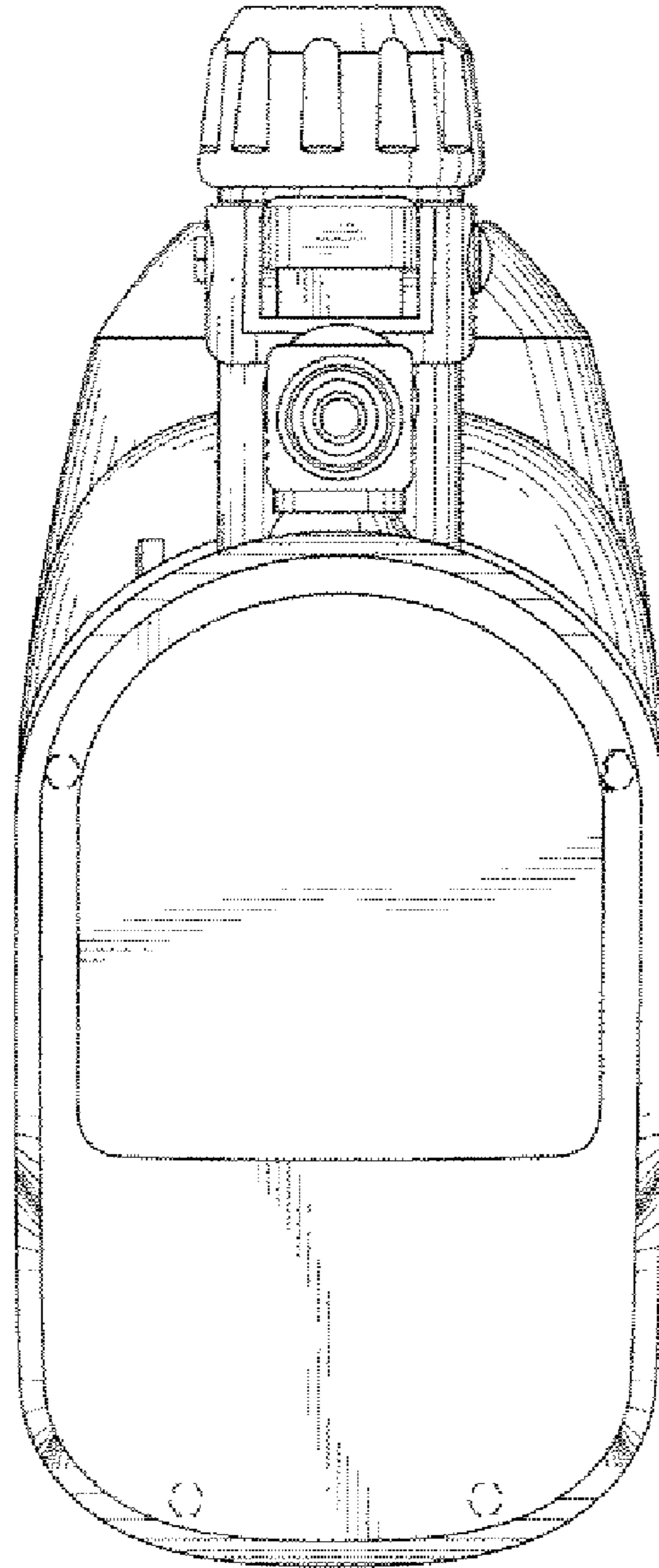


Fig. 5

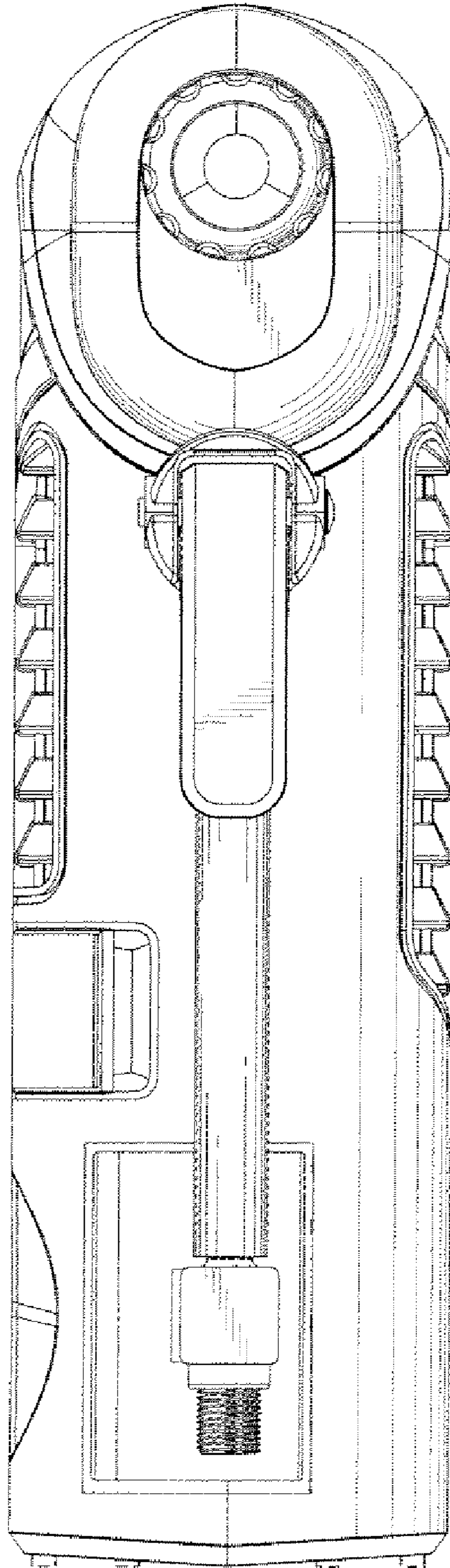


Fig. 6

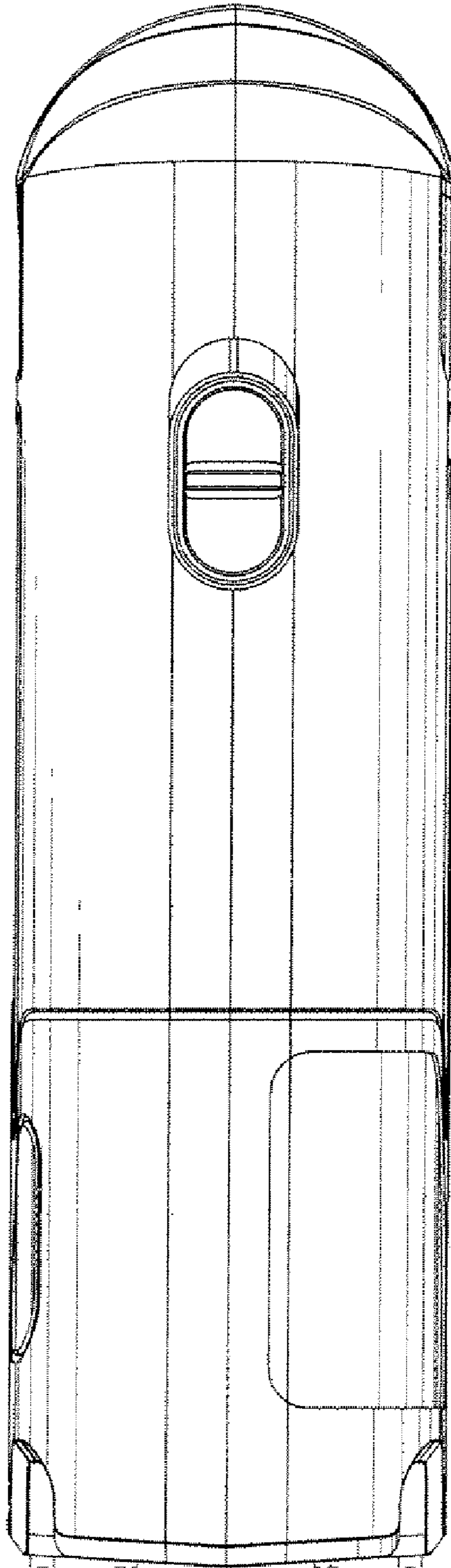


Fig. 7