



US00D581963S

(12) **United States Design Patent**
Kang et al.

(10) **Patent No.:** **US D581,963 S**
(45) **Date of Patent:** **** Dec. 2, 2008**

(54) **PROJECTOR**

D555,184 S * 11/2007 Rodriguez et al. D16/230

(75) Inventors: **Yun-Je Kang**, Kyunggi-do (KR);
Young-Sun Shin, Seoul (KR);
Jae-Seung Song, Seoul (KR)

OTHER PUBLICATIONS

U.S. Appl. No. 29/289,224, Applicant: Yun-Je Kang et al., filed Jul. 12, 2007 entitled Projector.

(73) Assignee: **Samsung Electronics Co., Ltd.**,
Kyunggi-do (KR)

* cited by examiner

(**) Term: **14 Years**

Primary Examiner—Adir Aronovich
Assistant Examiner—Wan Laymon

(21) Appl. No.: **29/289,227**

(74) *Attorney, Agent, or Firm*—Flynn, Thiel, Boutell & Tanis,
P.C.

(22) Filed: **Jul. 12, 2007**

(57) **CLAIM**

(51) **LOC (8) Cl.** **16-02**

The ornamental design for a projector, as shown and described.

(52) **U.S. Cl.** **D16/230; D16/225**

(58) **Field of Classification Search** D16/205,
D16/208, 221, 225, 229, 230–231, 234–235;
D24/514; D14/168, 188; 353/115, 119,
353/122; 352/242–243

DESCRIPTION

See application file for complete search history.

FIG. 1 is a top front perspective view of a projector showing our new design;

(56) **References Cited**

U.S. PATENT DOCUMENTS

- D457,179 S * 5/2002 Saeki et al. D16/230
- D476,024 S * 6/2003 Shimamoto D16/230
- D499,083 S * 11/2004 Tanaka D14/168
- D502,486 S * 3/2005 Kawasaki et al. D16/230
- D539,326 S * 3/2007 Schoenert et al. D16/230
- D540,775 S * 4/2007 Zhang D14/168
- D546,864 S 7/2007 Kim
- D552,150 S * 10/2007 Salvatori et al. D16/230

FIG. 2 is a front elevational view thereof;

FIG. 3 is a rear elevational view thereof;

FIG. 4 is a left side elevational view thereof;

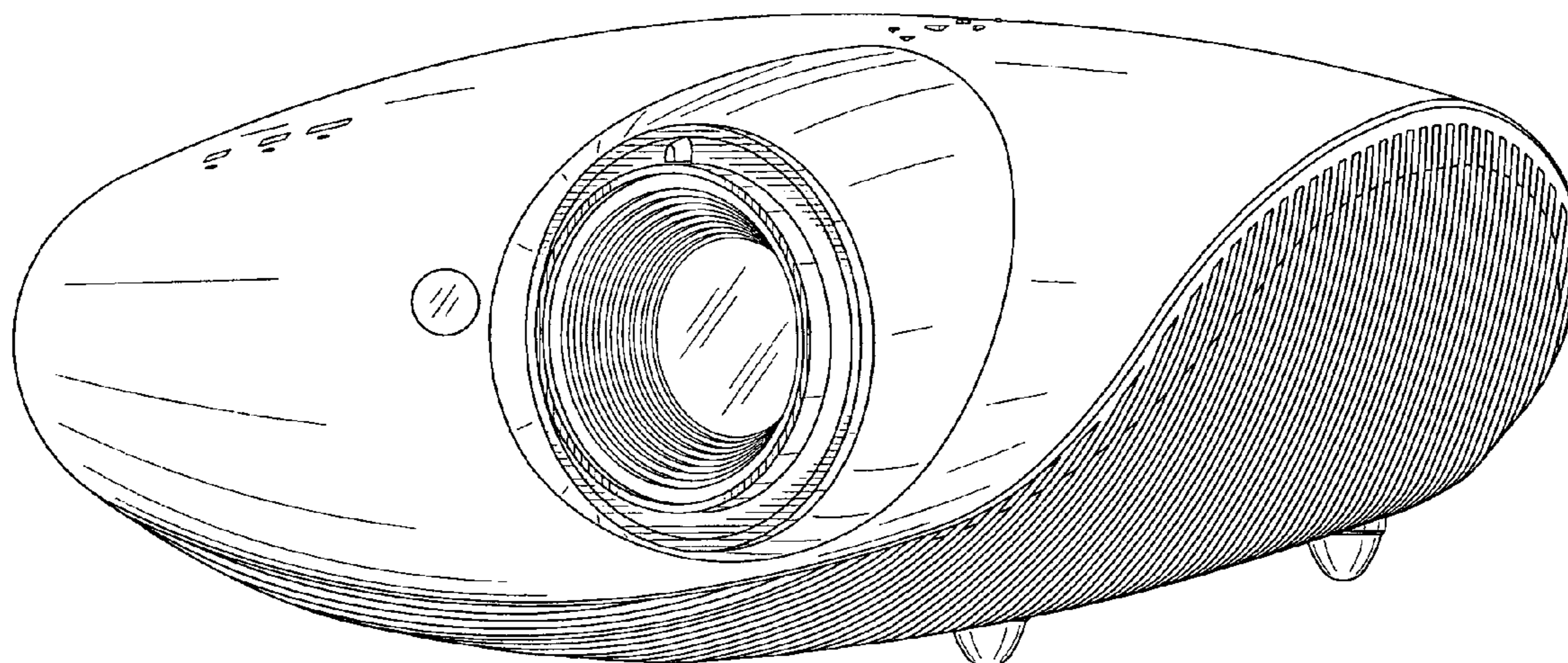
FIG. 5 is a right side elevational view thereof;

FIG. 6 is a top plan view thereof; and,

FIG. 7 is a bottom plan view thereof.

The broken lines are for illustrative purposes only and form no part of the claimed design.

1 Claim, 5 Drawing Sheets



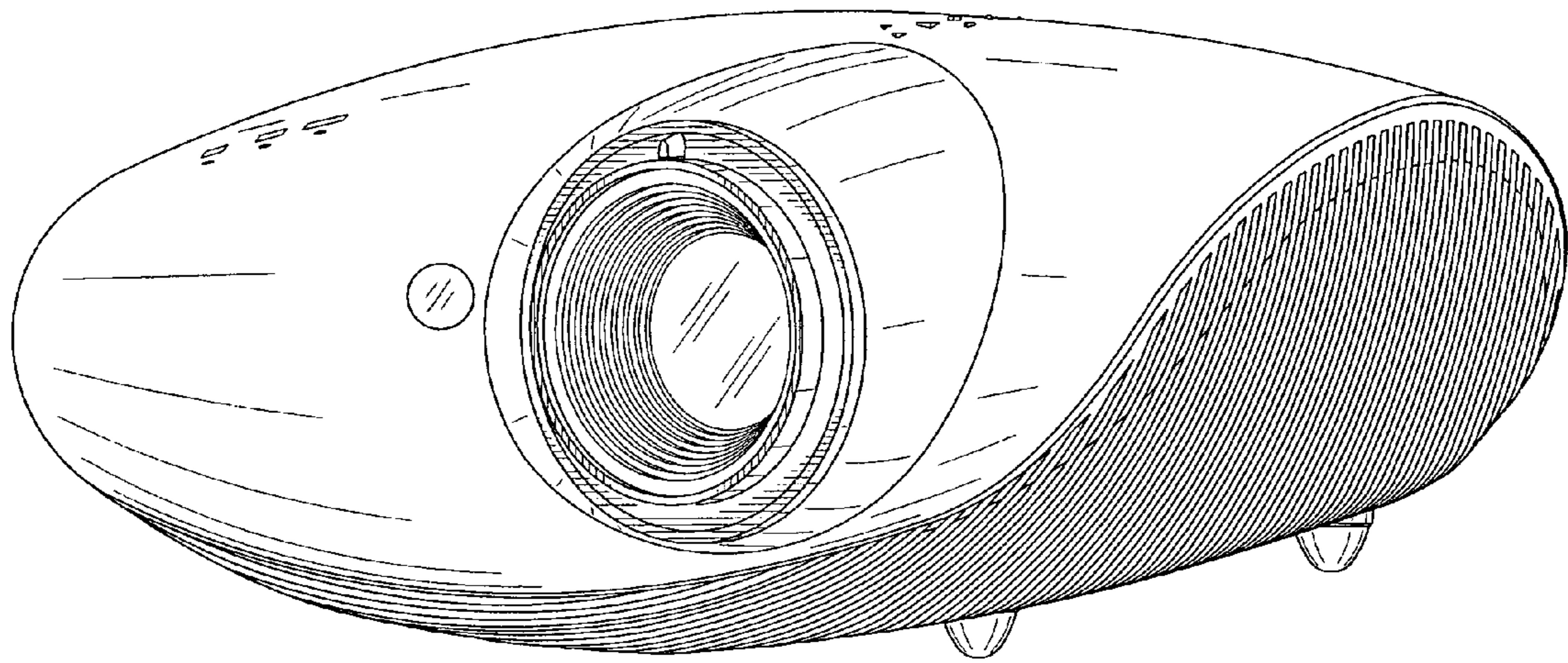


FIG. 1

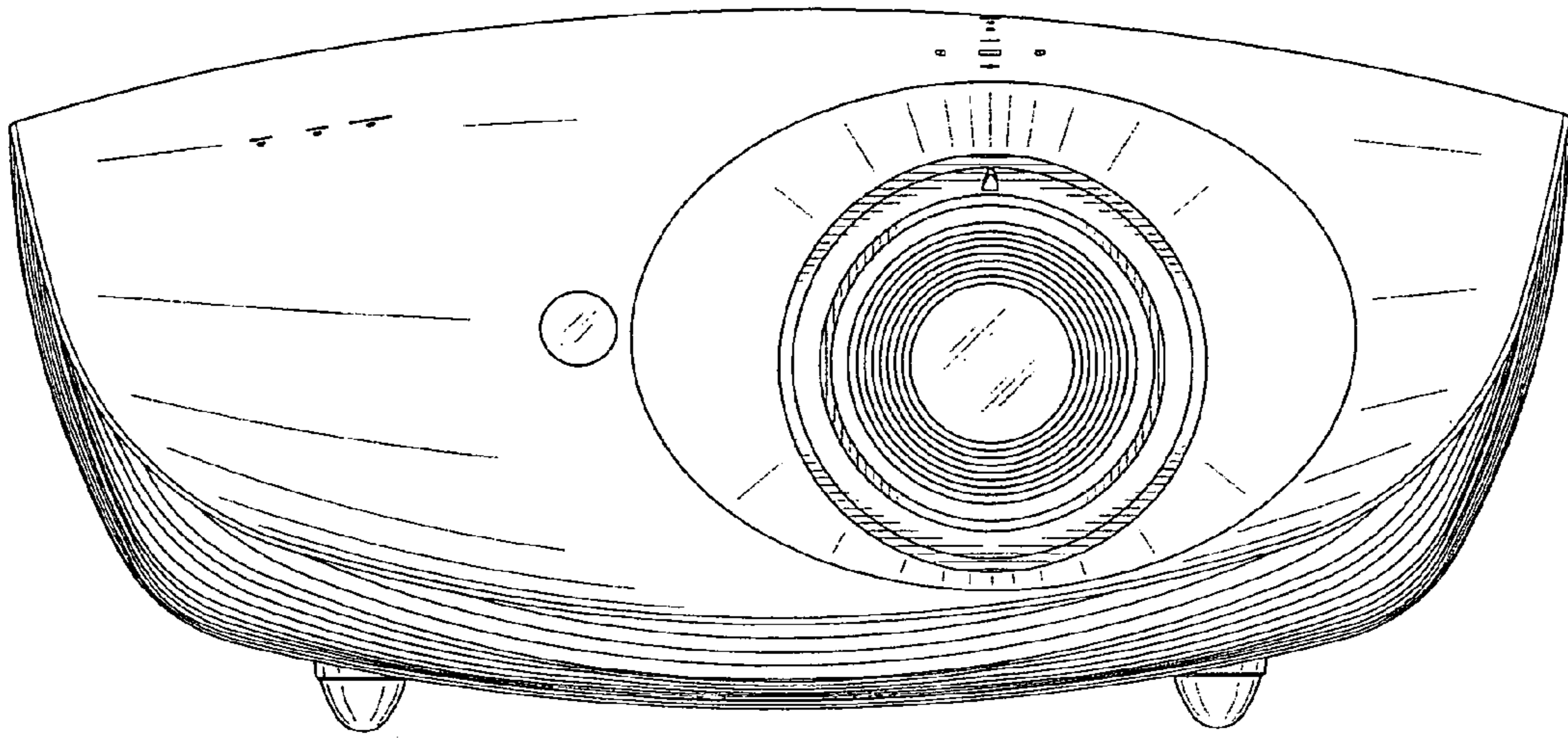


FIG. 2

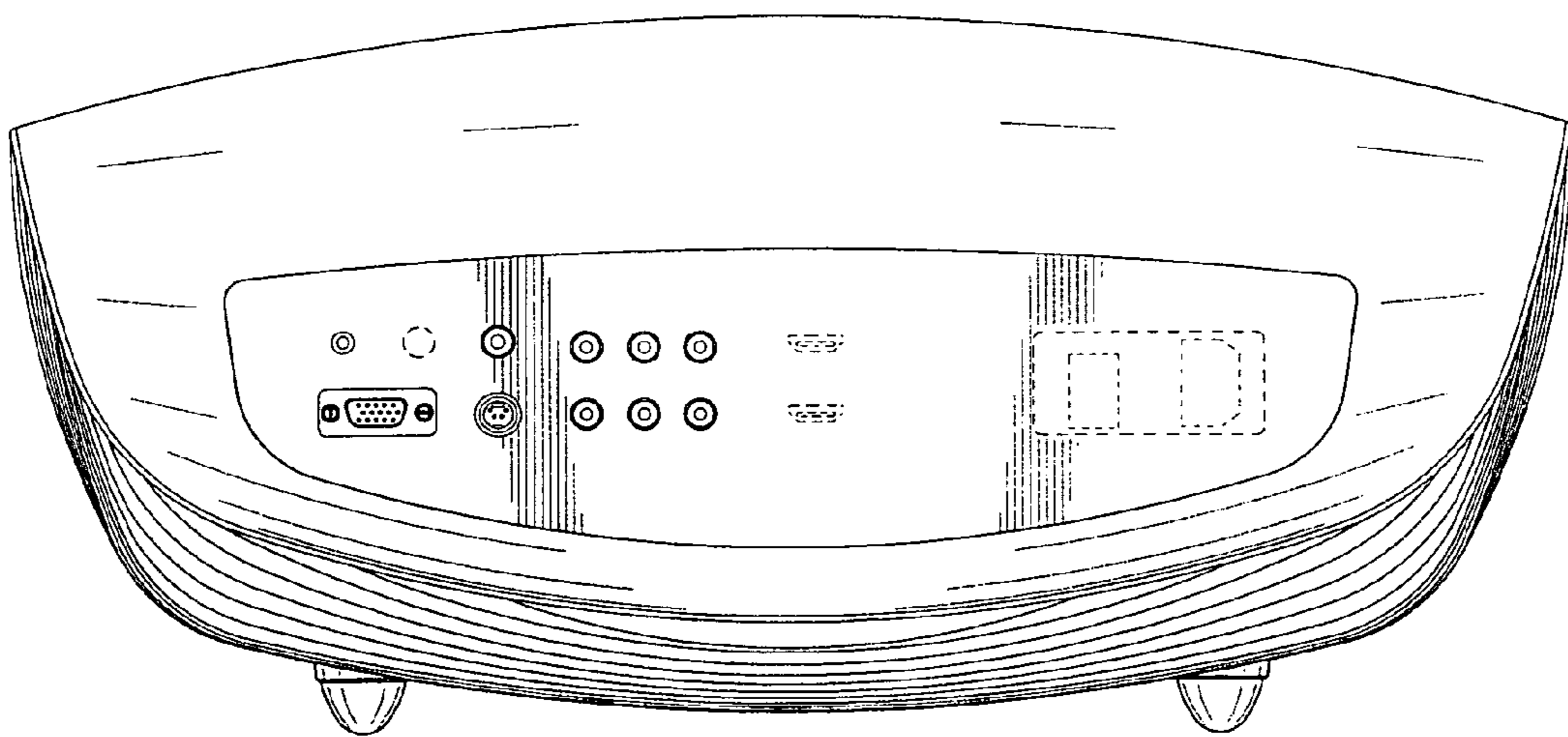


FIG. 3

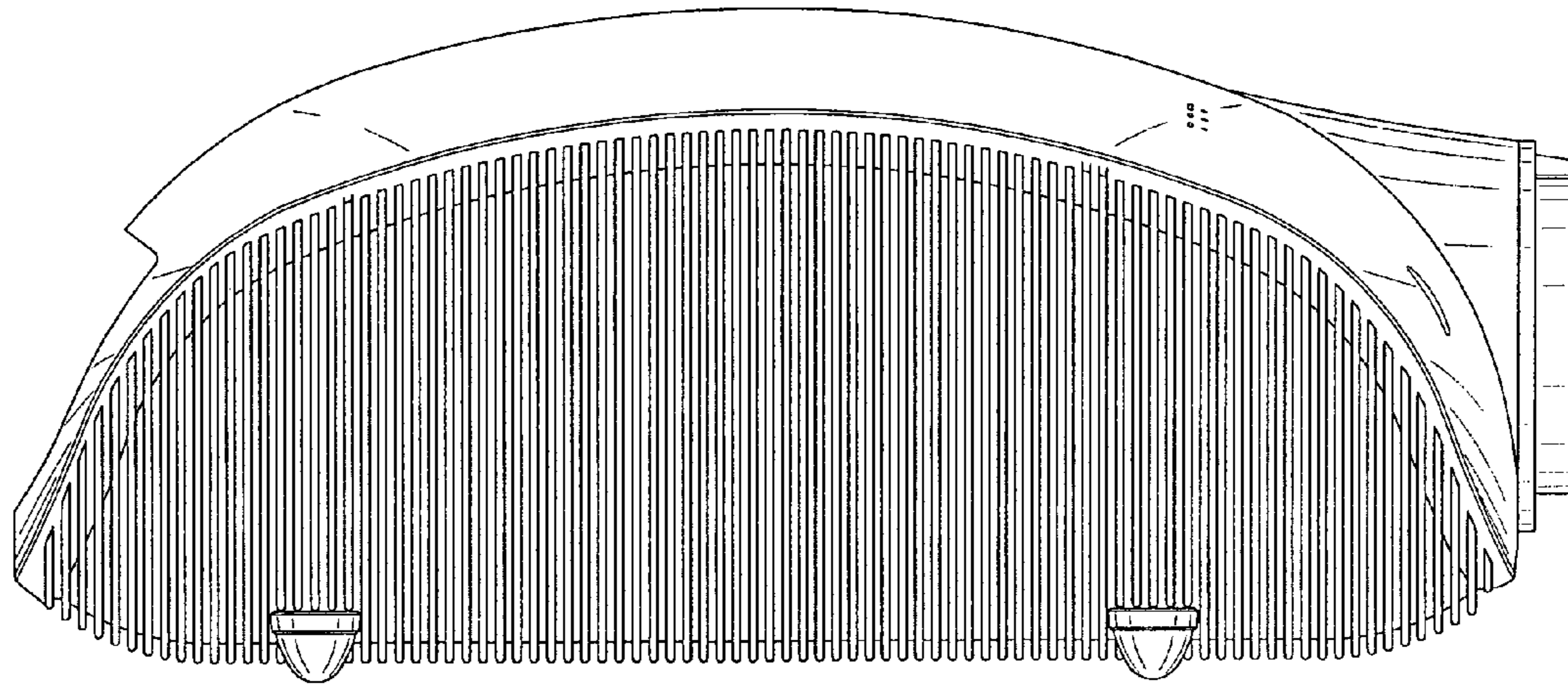


FIG. 4

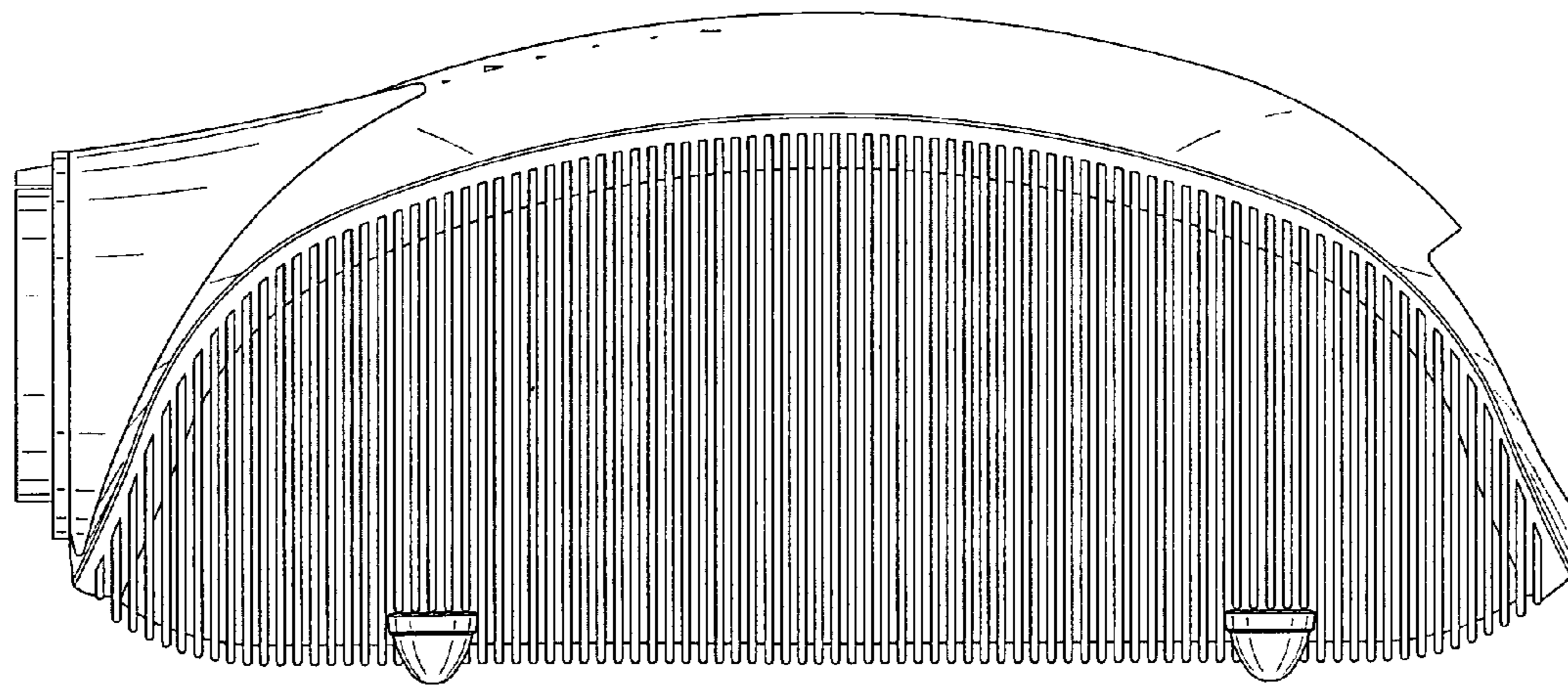


FIG. 5

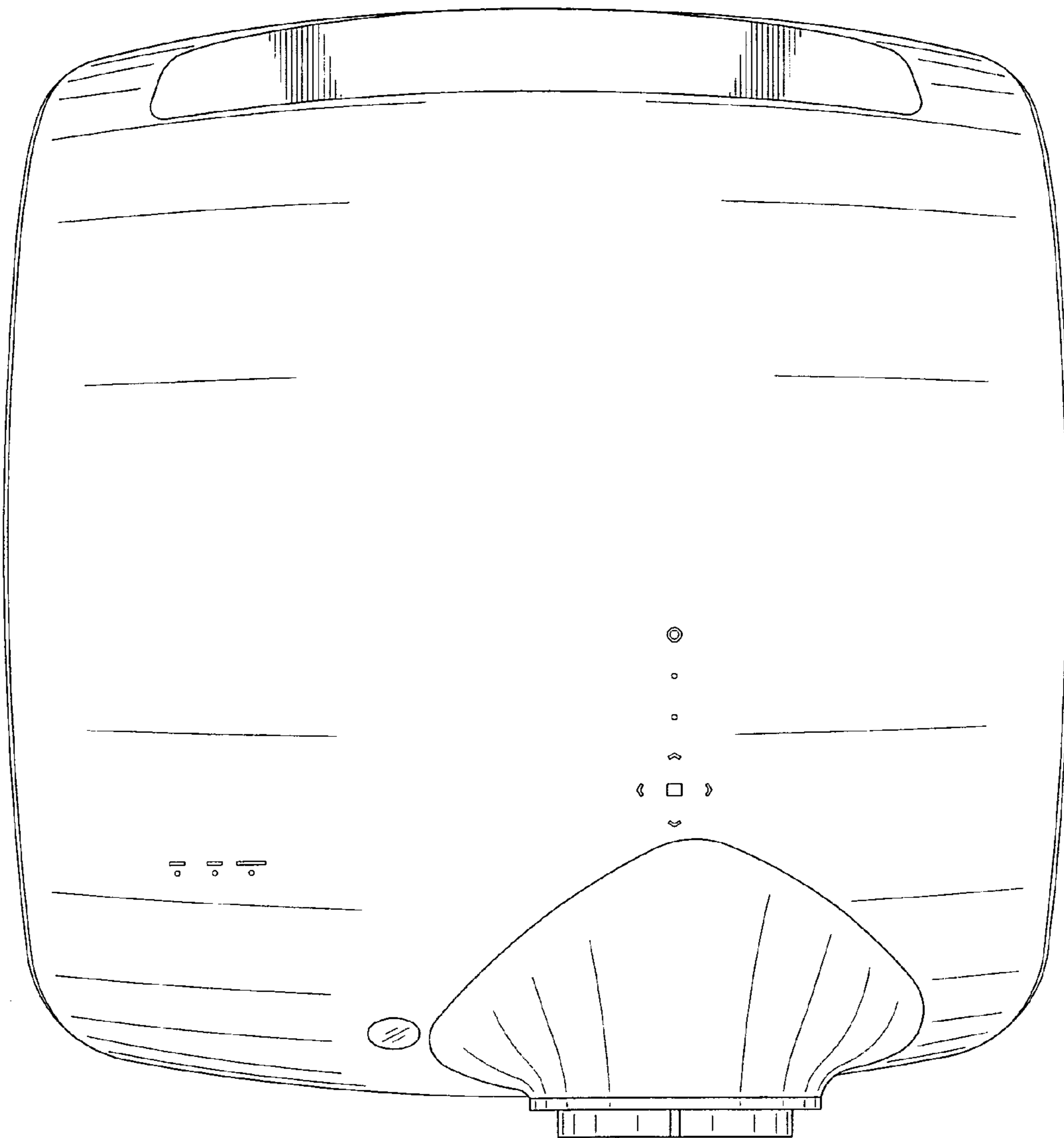


FIG. 6

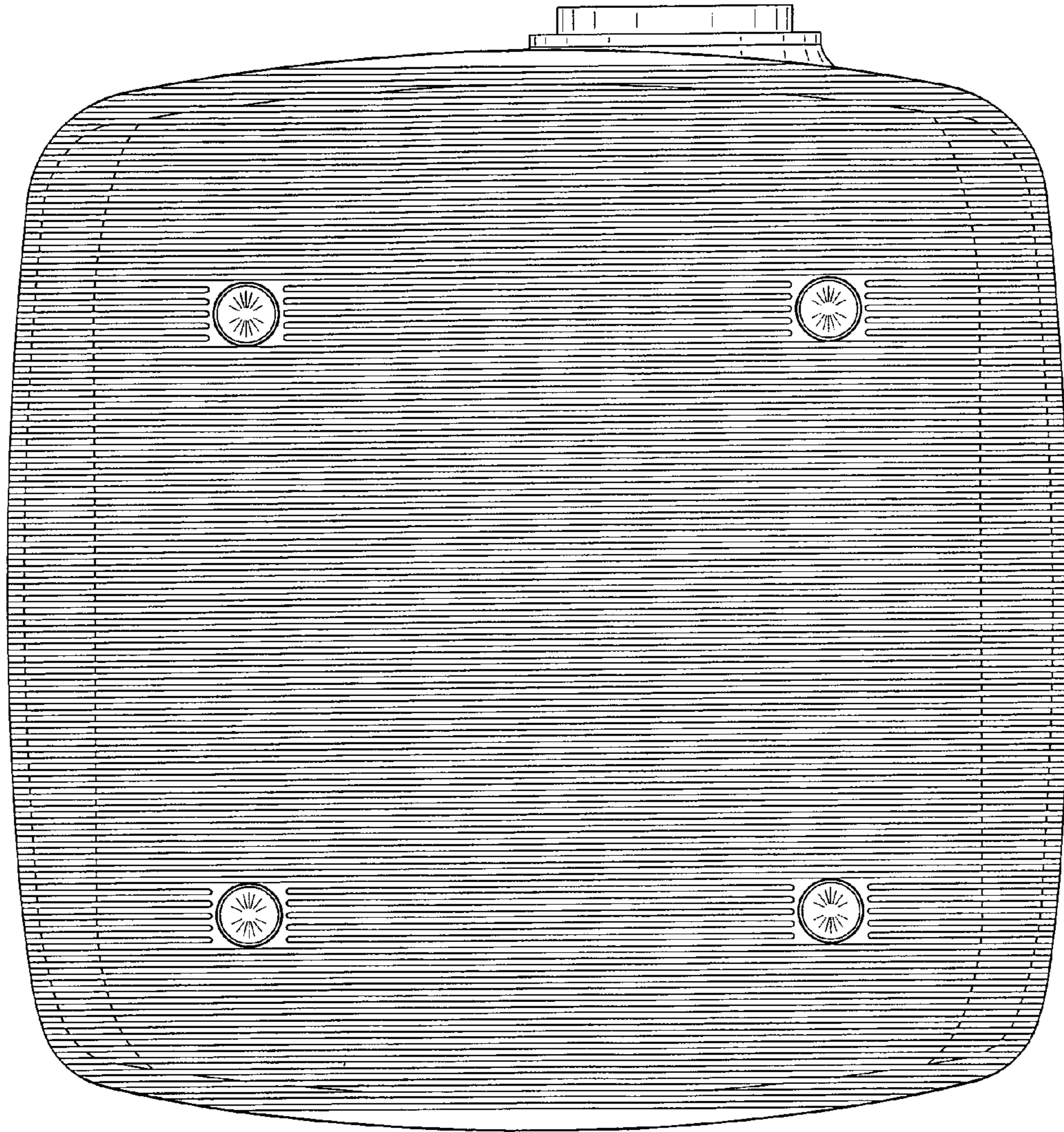


FIG. 7