



US00D581962S

(12) **United States Design Patent**
Takagi

(10) **Patent No.:** **US D581,962 S**
(45) **Date of Patent:** **** Dec. 2, 2008**

(54) **CAMERA**

(75) Inventor: **Noriaki Takagi**, Tokyo (JP)

(73) Assignee: **Sony Corporation**, Tokyo (JP)

(**) Term: **14 Years**

(21) Appl. No.: **29/287,214**

(22) Filed: **Jul. 10, 2007**

(30) **Foreign Application Priority Data**

Feb. 22, 2007 (JP) D2007-004372

(51) **LOC (8) Cl.** **16-05**

(52) **U.S. Cl.** **D16/219**

(58) **Field of Classification Search** D16/200–206,
D16/208, 212, 218, 219; 348/373–376; 358/909.1;
396/535–541

See application file for complete search history.

(56) **References Cited**

U.S. PATENT DOCUMENTS

- D462,978 S * 9/2002 Nicklos et al. D16/202
- 6,497,520 B2 * 12/2002 Omiya 396/538
- D487,104 S 2/2004 Obata
- D494,202 S * 8/2004 Nakamura D16/206
- D501,496 S 2/2005 Sadatsuki

- D505,685 S * 5/2005 Yoshida D16/219
- D522,488 S 6/2006 Suzuki
- D524,351 S * 7/2006 Haga D16/219
- D538,831 S * 3/2007 Watarai D16/206
- D562,871 S * 2/2008 Ishii D16/218

* cited by examiner

Primary Examiner—Adir Aronovich

(74) *Attorney, Agent, or Firm*—Rader, Fishman & Grauer, PLLC

(57) **CLAIM**

The ornamental design for a camera, as shown and described.

DESCRIPTION

FIG. 1 is a front perspective view of a camera showing my new design

FIG. 2 is a front elevational view thereof;

FIG. 3 is a left side elevational view thereof;

FIG. 4 is a right side elevational view thereof;

FIG. 5 is a top plan view thereof; and,

FIG. 6 is a bottom plan view thereof.

The portions of the camera in broken lines in FIGS. 1–6 are shown to illustrate environment only and form no part of the claimed design.

1 Claim, 6 Drawing Sheets

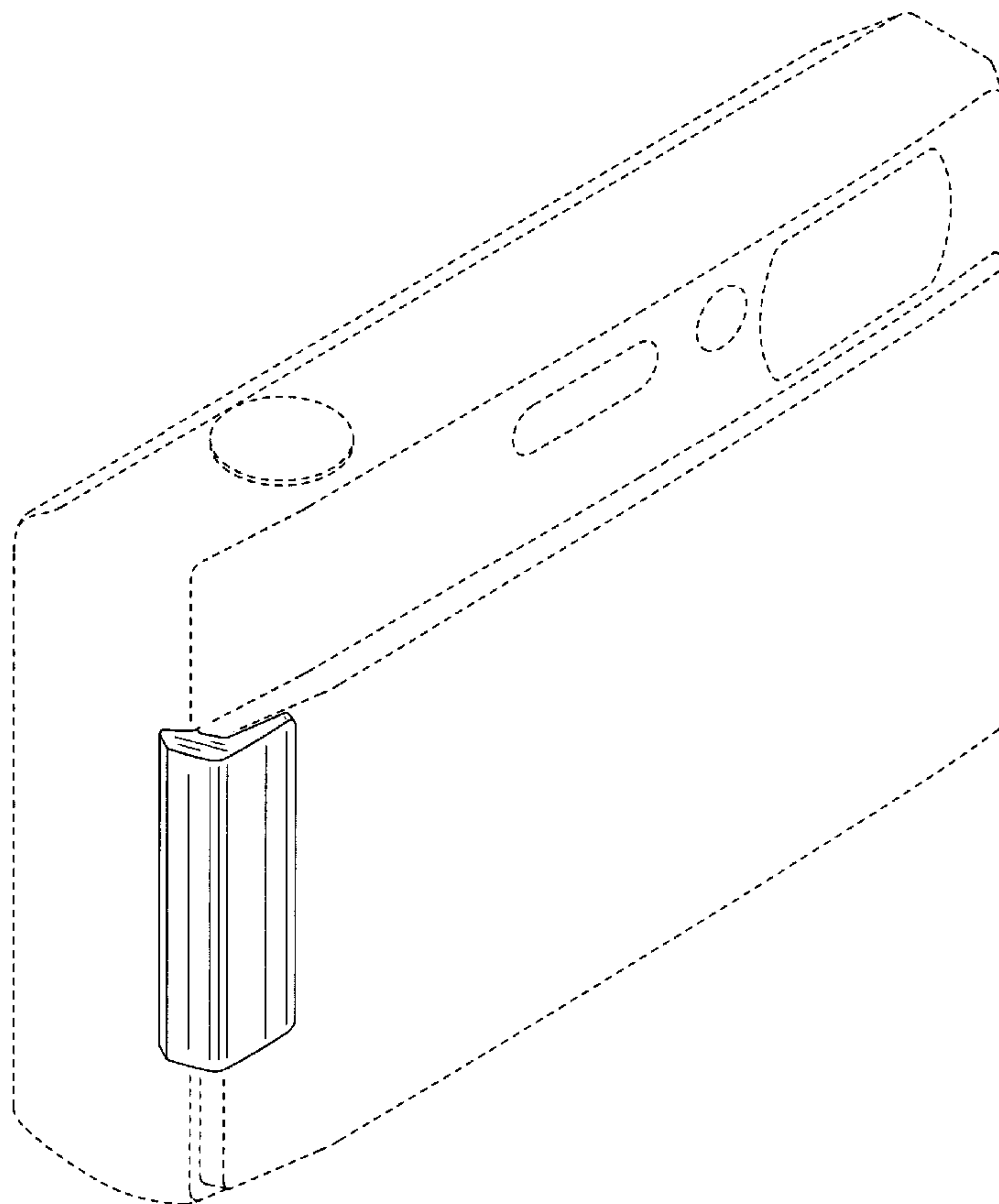


Fig. 1

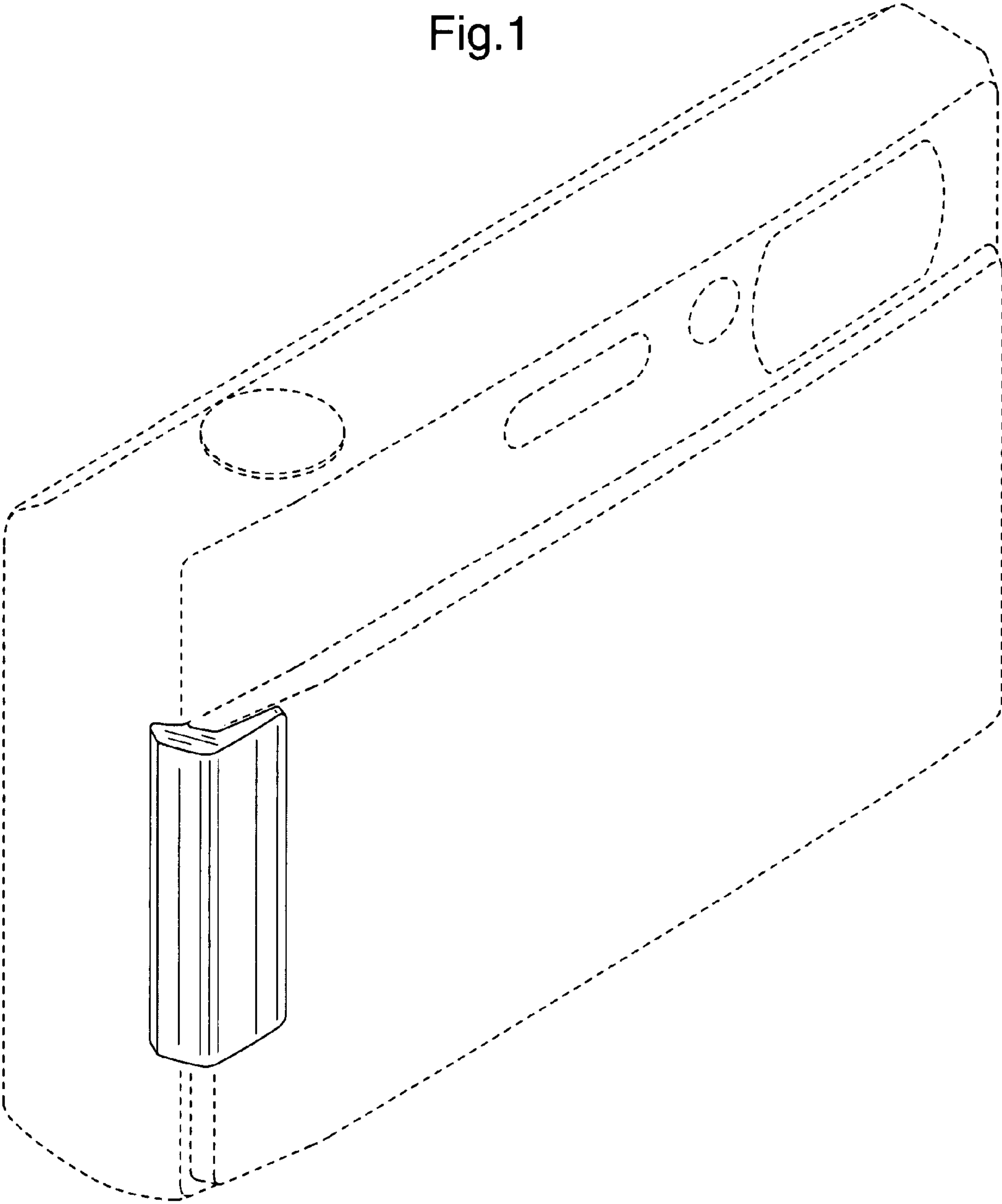


Fig.2

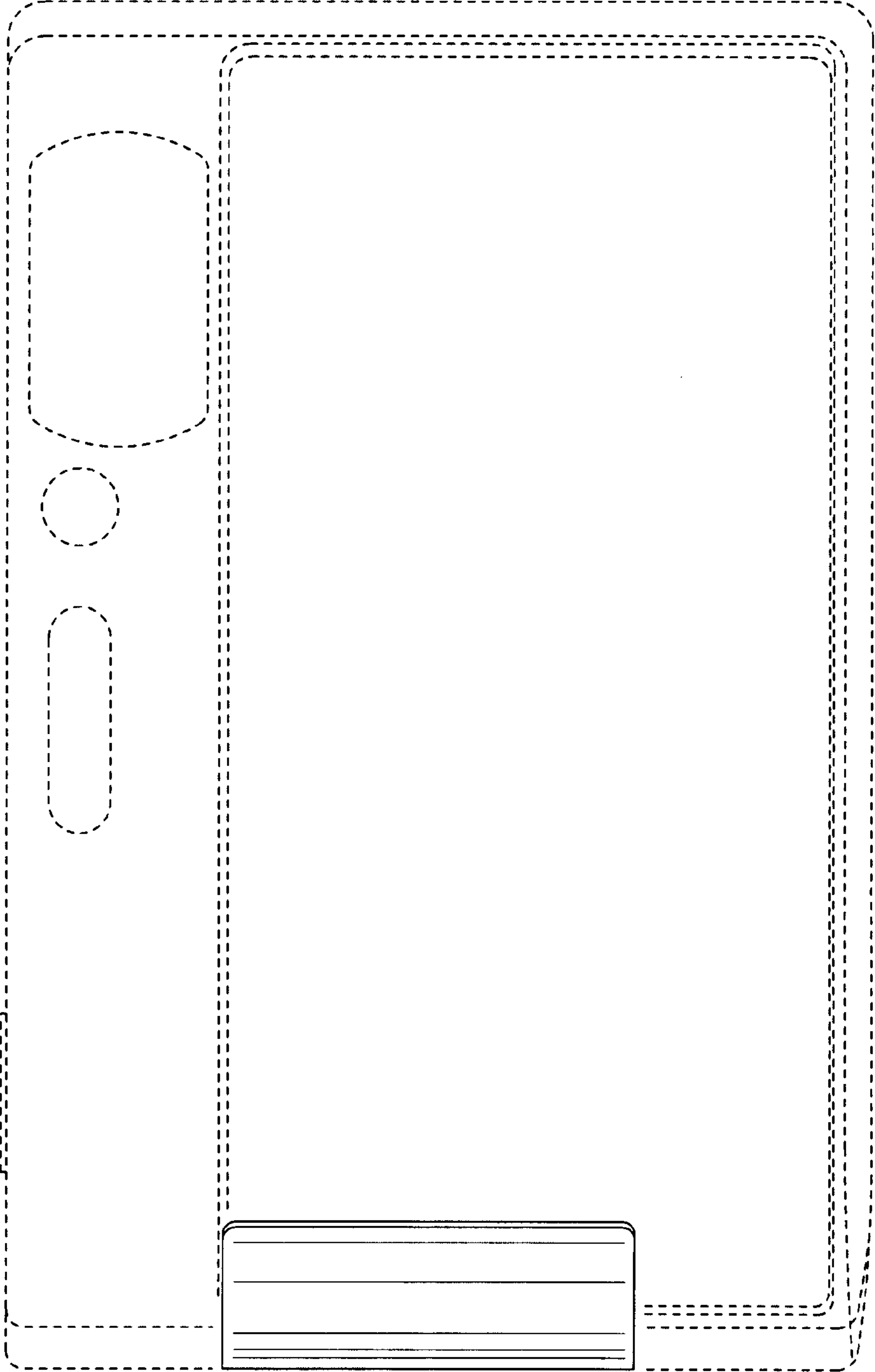


Fig.3

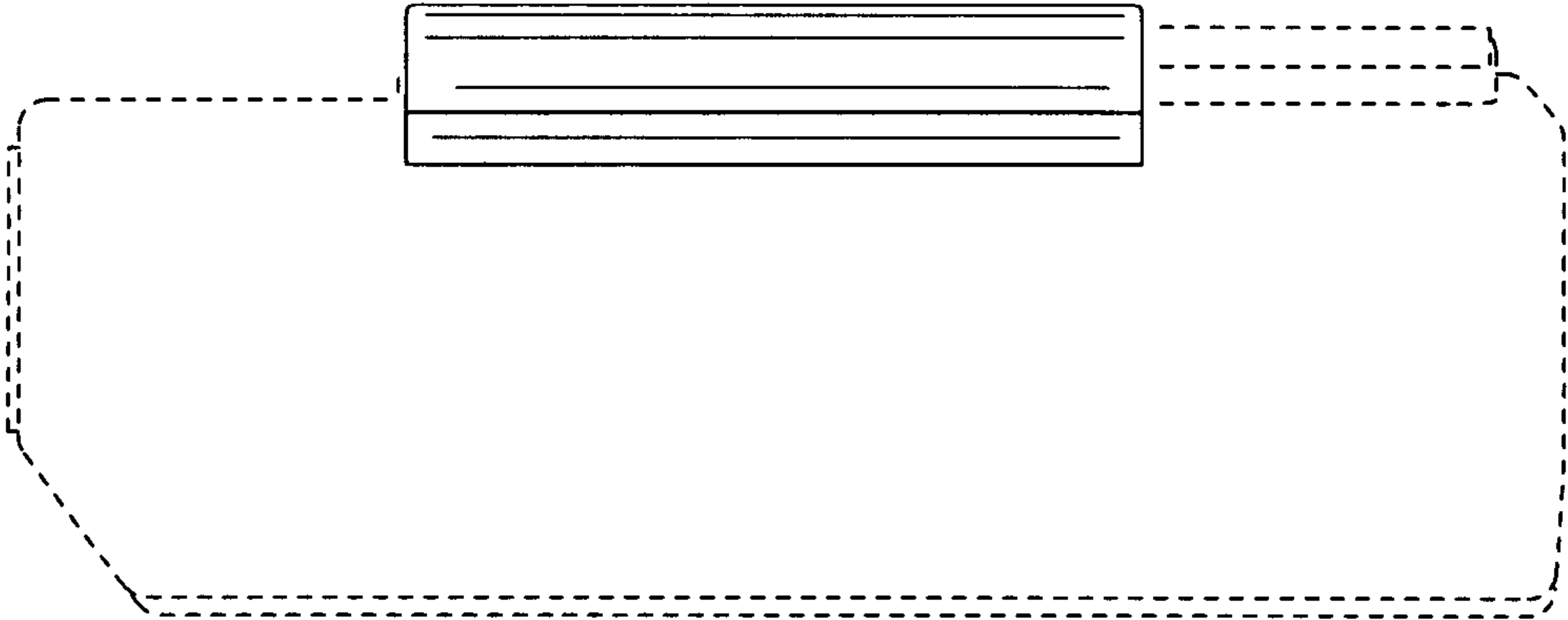


Fig.4

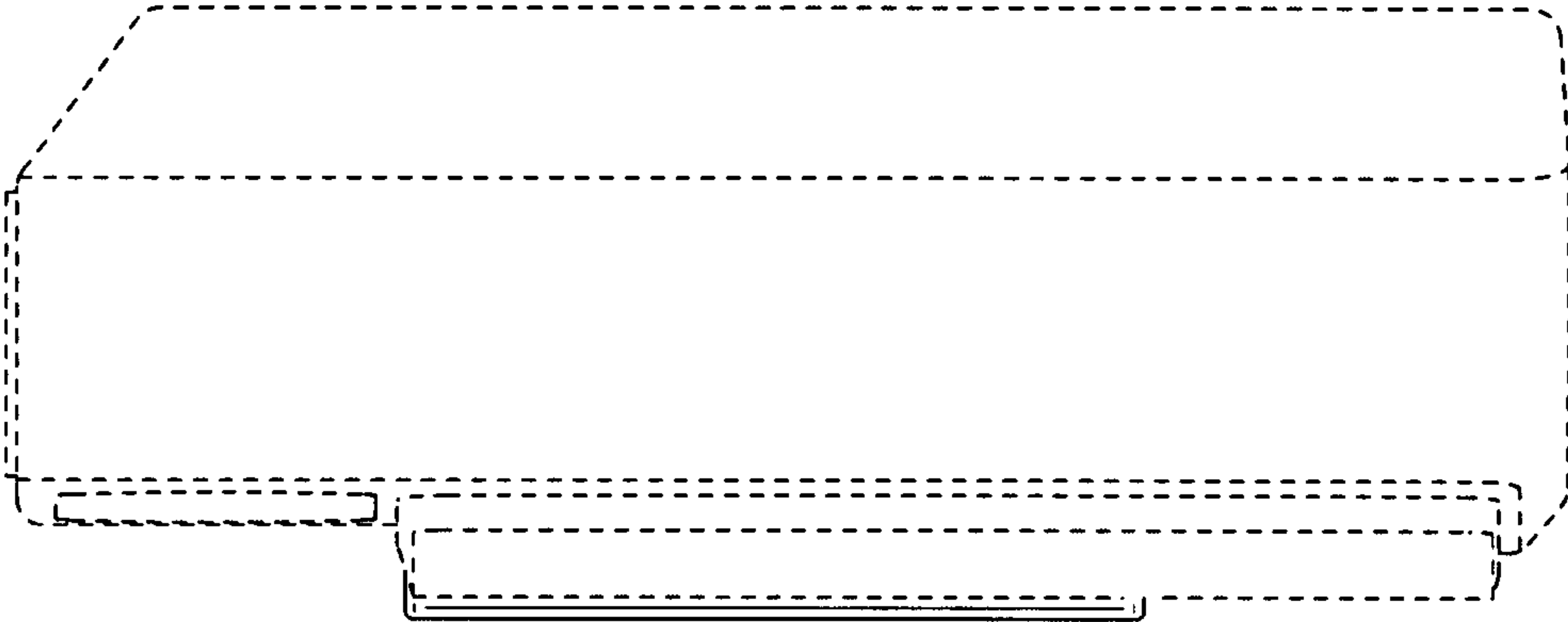


Fig.5

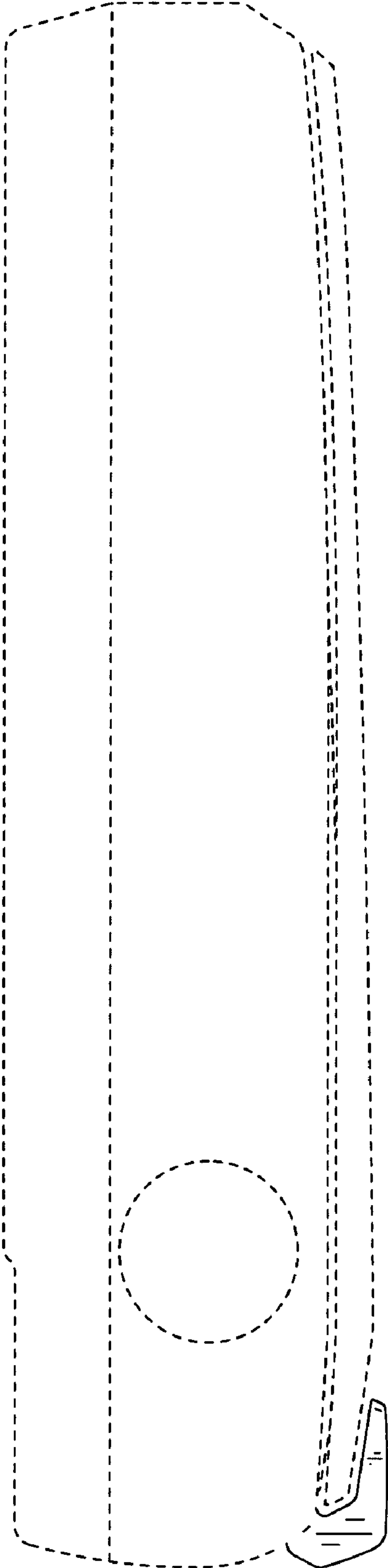


Fig.6

