



US00D581961S

(12) **United States Design Patent**  
**Shioya**

(10) **Patent No.:** **US D581,961 S**  
(45) **Date of Patent:** **\*\* Dec. 2, 2008**

(54) **NETWORK CAMERA**

(75) Inventor: **Kenji Shioya**, Kadoma (JP)

(73) Assignee: **Panasonic Corporation**, Osaka (JP)

(\*\*) Term: **14 Years**

(21) Appl. No.: **29/297,399**

(22) Filed: **Nov. 9, 2007**

(51) **LOC (8) Cl.** ..... **16-01**

(52) **U.S. Cl.** ..... **D16/218; D16/203**

(58) **Field of Classification Search** ..... D16/200–205,  
D16/208, 218; 348/143, 151, 373–376; 358/906;  
396/427, 535–541

See application file for complete search history.

(56) **References Cited**

**U.S. PATENT DOCUMENTS**

D325,212 S	4/1992	Elberbaum	
D399,517 S *	10/1998	Hasegawa	D16/203
D412,924 S	8/1999	Hiraguchi	
6,525,766 B1 *	2/2003	Ikoma et al.	348/151
6,678,001 B1 *	1/2004	Elberbaum	348/373
6,715,940 B2 *	4/2004	Top et al.	348/143
D494,992 S *	8/2004	Seo	D16/203
D497,927 S	11/2004	Arbuckle et al.	
D499,126 S *	11/2004	Kato et al.	D16/203
6,896,423 B2 *	5/2005	Arbuckle et al.	396/427

D508,934 S	8/2005	Nagai	
D513,028 S	12/2005	Maruyama	
7,170,560 B2 *	1/2007	Tatewaki et al.	348/375
D547,347 S *	7/2007	Kim	D16/203

\* cited by examiner

*Primary Examiner*—Adir Aronovich

(74) *Attorney, Agent, or Firm*—Brinks Hofer Gilson & Lione

(57) **CLAIM**

I claim the ornamental design for a network camera, as shown and described.

**DESCRIPTION**

FIG. 1 is a top perspective view of a network camera of the present invention;

FIG. 2 is a front view thereof;

FIG. 3 is a rear view thereof;

FIG. 4 is a side view thereof;

FIG. 5 is a side view thereof, opposite of that shown in FIG. 4;

FIG. 6 is a top view thereof; and,

FIG. 7 is a bottom view thereof.

The broken line showing of network camera is included for the purpose of illustrating environment and forms no part of the claimed design.

**1 Claim, 7 Drawing Sheets**

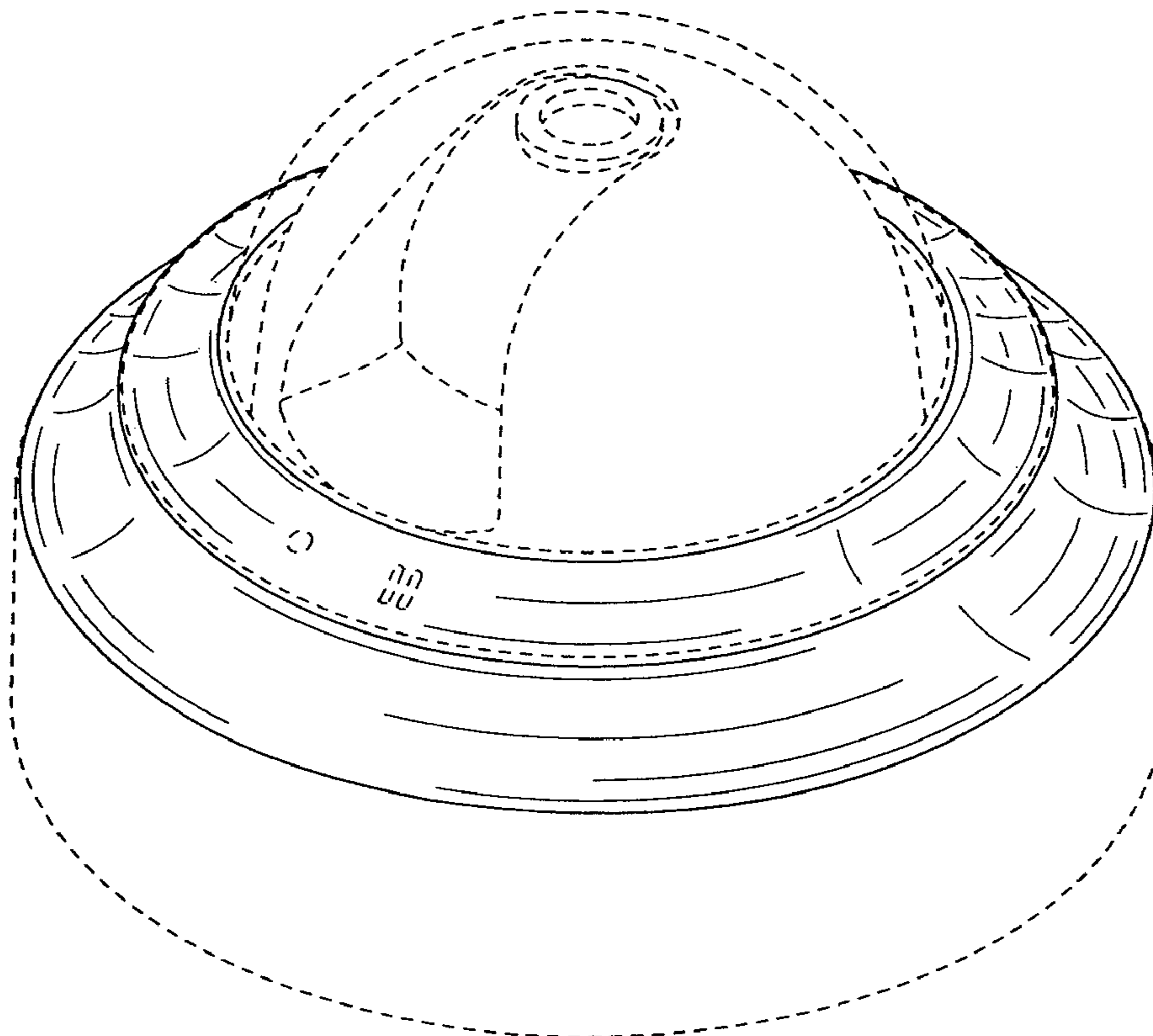


FIG. 1

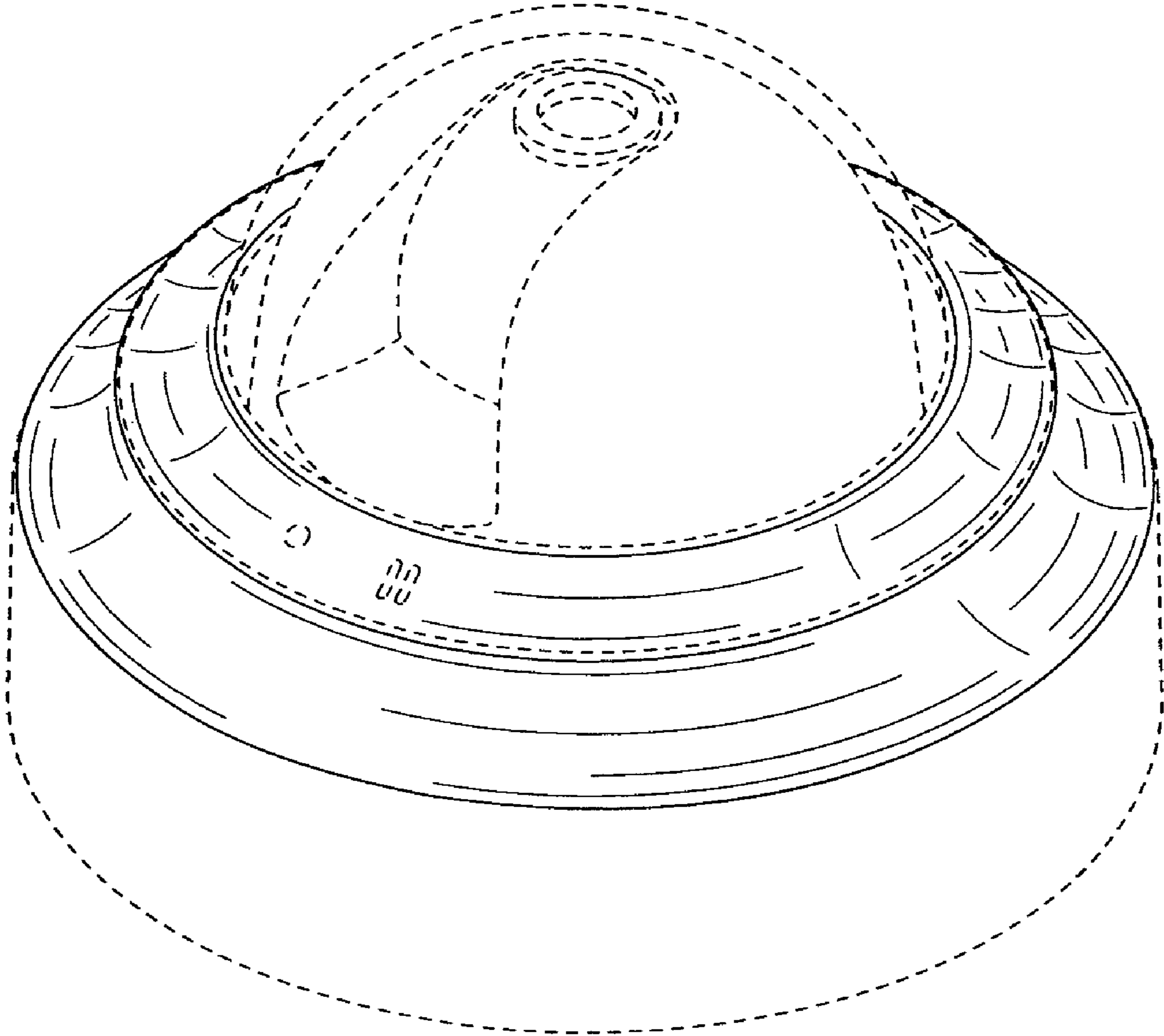


FIG.2

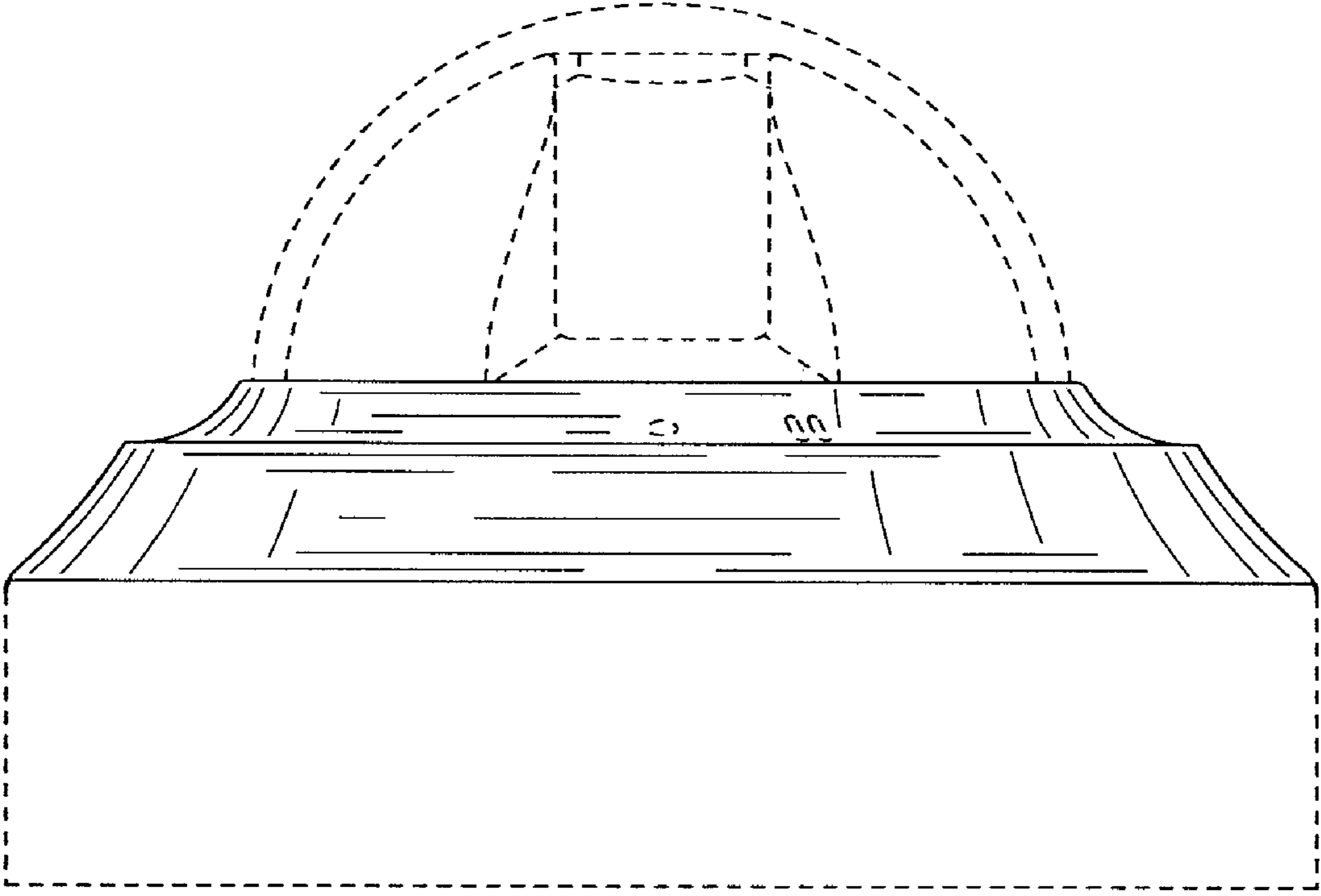


FIG.3

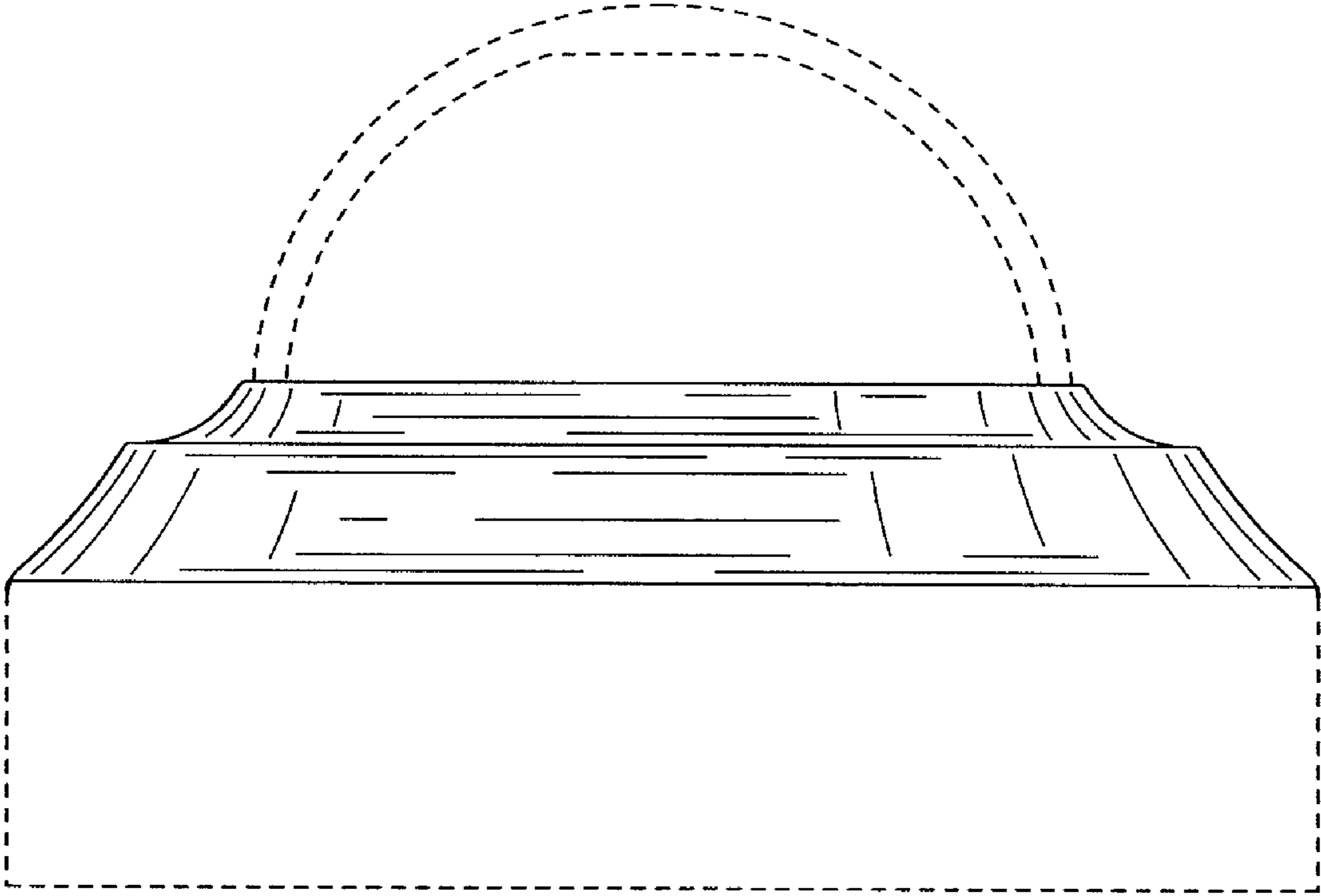


FIG.4

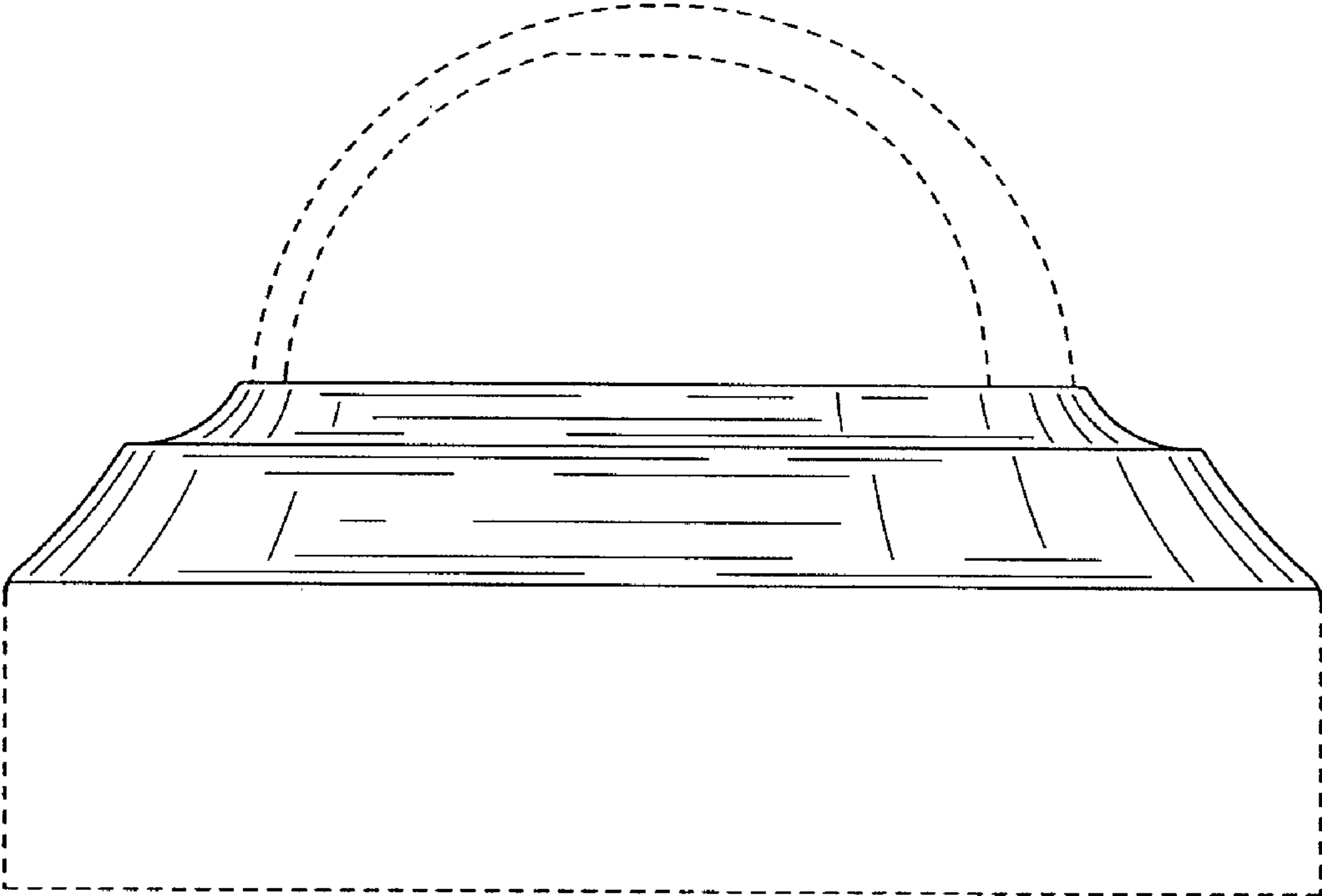


FIG.5

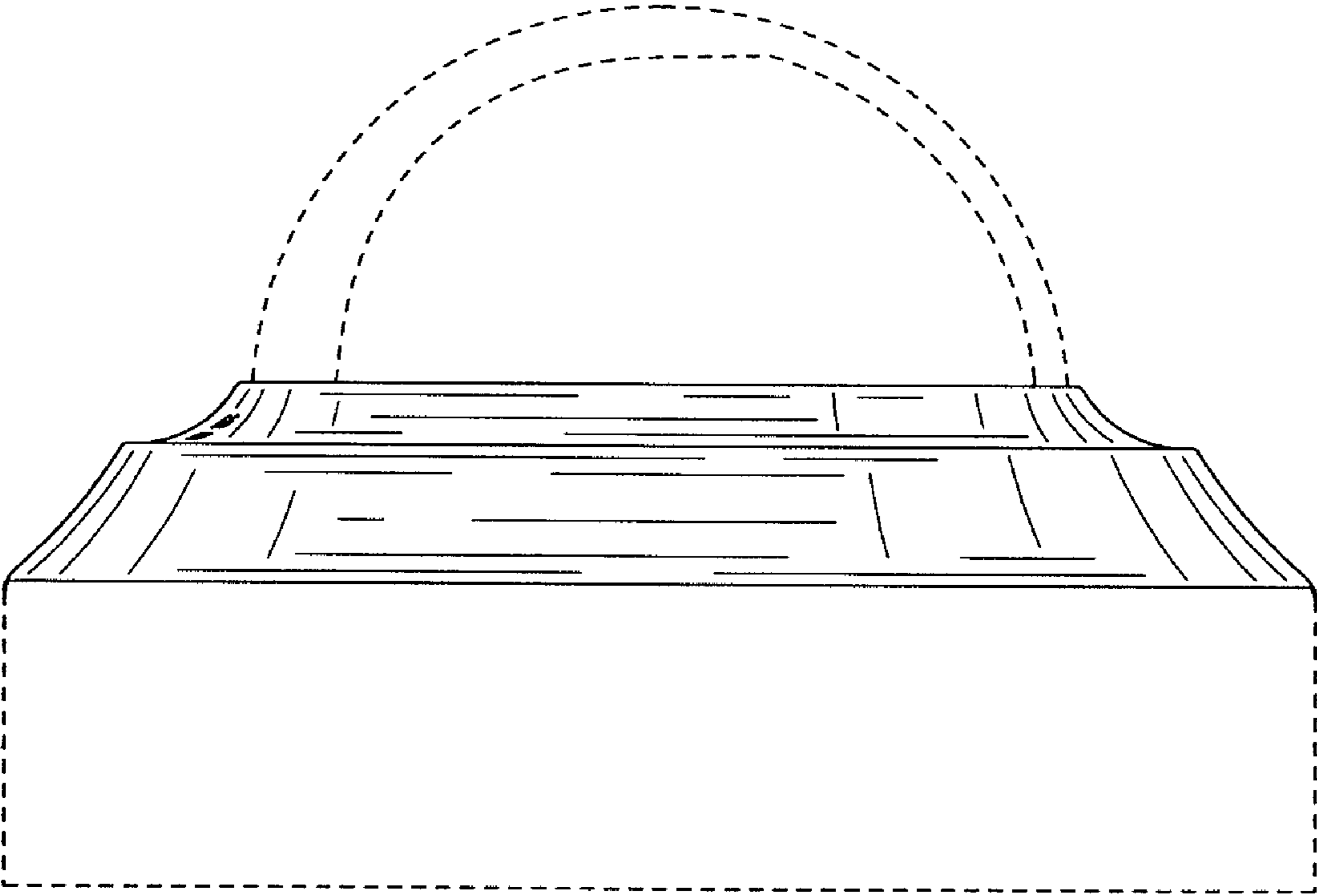
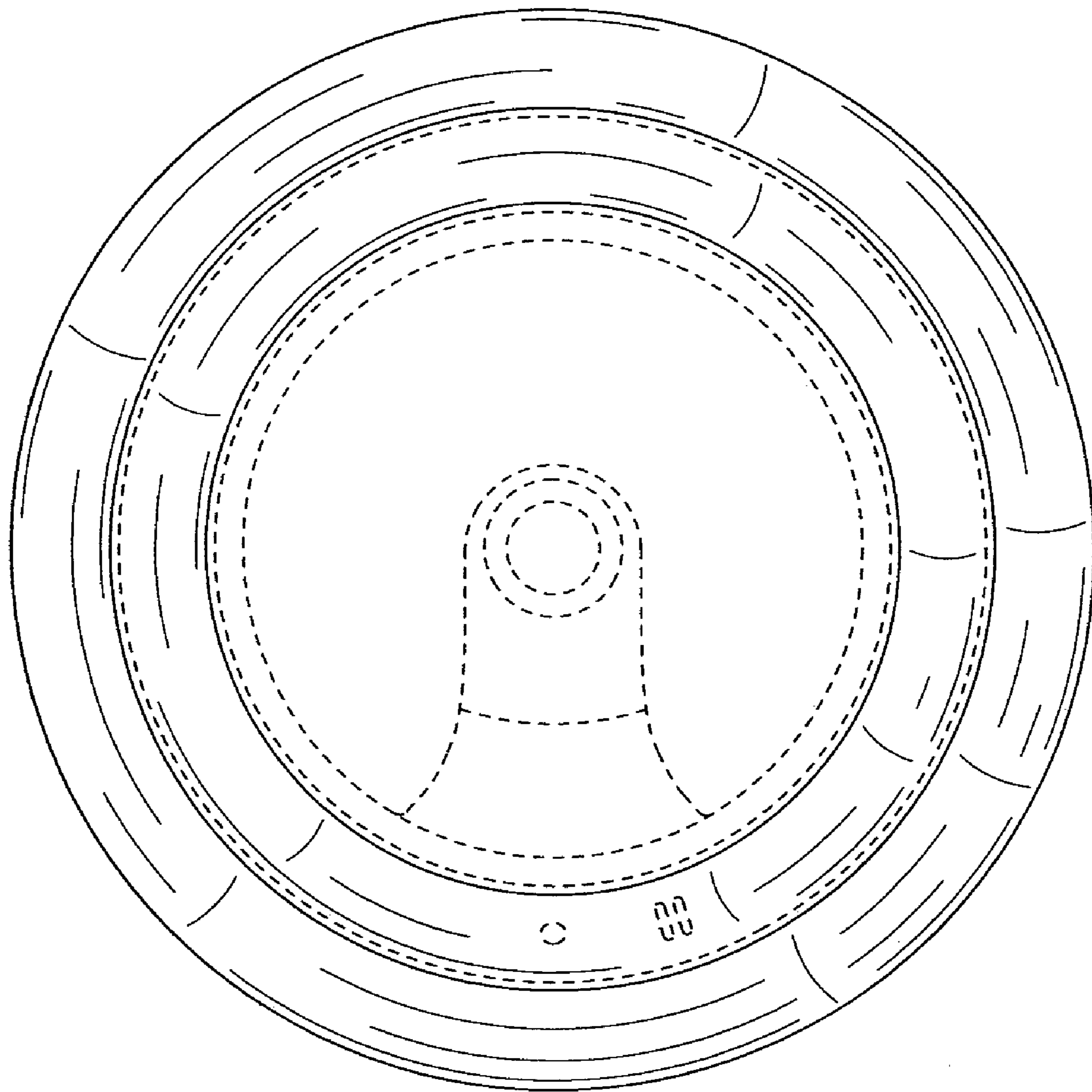


FIG. 6





*FIG. 7*

