



US00D581960S

(12) **United States Design Patent**
Kim et al.

(10) **Patent No.:** **US D581,960 S**
(45) **Date of Patent:** **** Dec. 2, 2008**

(54) **ELECTRONIC CAMERA**

D566,148 S * 4/2008 Akita D16/202

(75) Inventors: **Young Kim**, Bellevue, WA (US); **Ralf Groene**, Kirkland, WA (US)

* cited by examiner

Primary Examiner—Adir Aronovich

(73) Assignee: **Microsoft Corporation**, Redmond, WA (US)

(74) *Attorney, Agent, or Firm*—Banner & Witcoff, Ltd.

(**) Term: **14 Years**

(57) **CLAIM**

(21) Appl. No.: **29/295,601**

The ornamental design for an electronic camera, as shown and described.

(22) Filed: **Oct. 2, 2007**

DESCRIPTION

(51) **LOC (8) Cl.** **16-05**

FIG. 1 is a front perspective view of an electronic camera showing our new design;

(52) **U.S. Cl.** **D16/218**

FIG. 2 is a front view thereof;

(58) **Field of Classification Search** D16/200–205,
D16/208, 211–213, 218; 348/373–376; 358/909.1;
396/535–541

FIG. 3 is a left side view thereof;

FIG. 4 is a rear view thereof;

See application file for complete search history.

FIG. 5 is a right side view thereof;

FIG. 6 is a top view thereof; and,

FIG. 7 is a bottom view thereof.

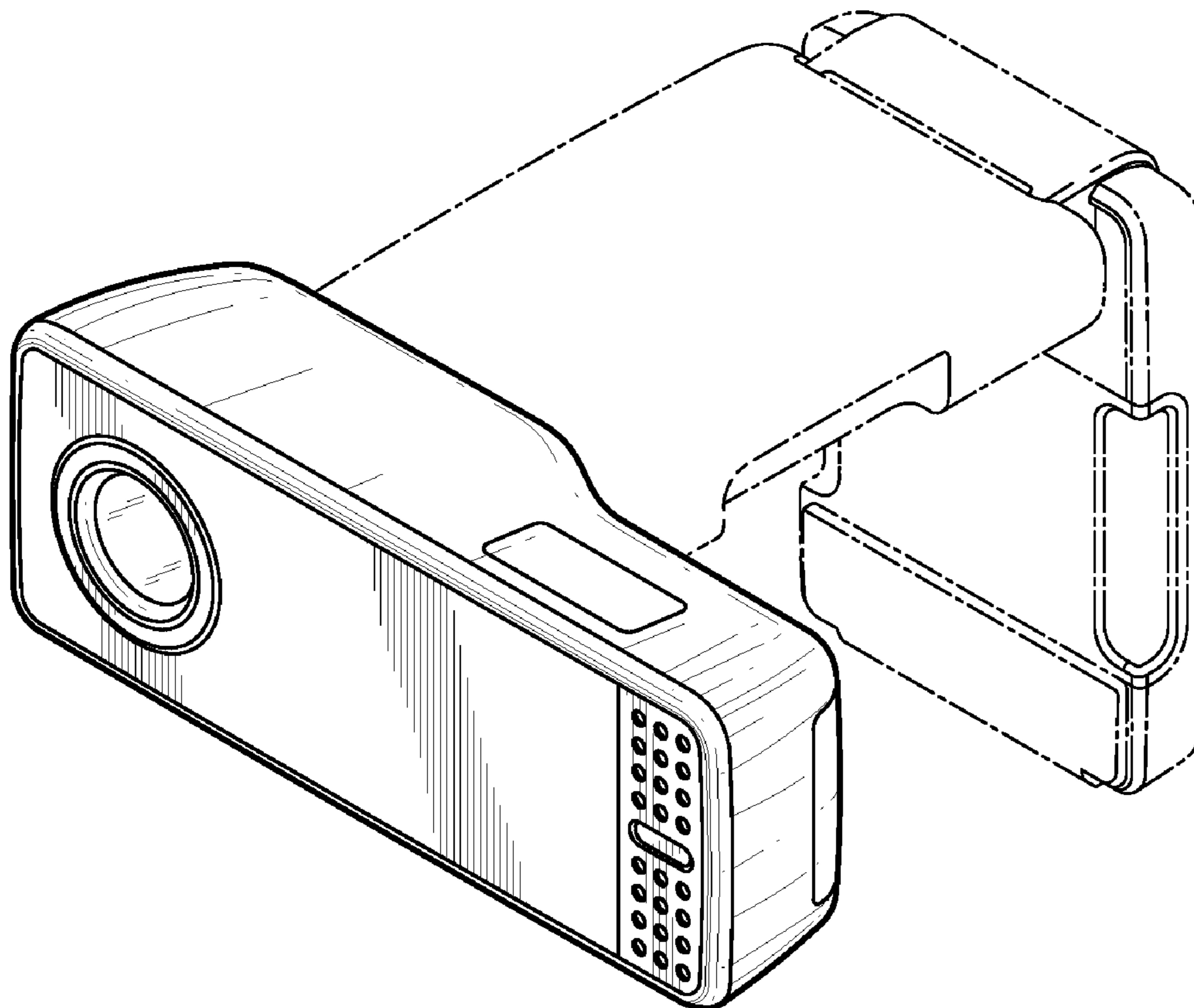
(56) **References Cited**

The broken line showing of various regions in the figures, including the unshaded areas therein, is for illustrative purposes and forms no part of the claimed design.

U.S. PATENT DOCUMENTS

D449,628 S *	10/2001	Obata et al.	D16/218
D487,104 S *	2/2004	Obata	D16/218
D533,887 S *	12/2006	Logan et al.	D16/208
D554,683 S *	11/2007	Jones et al.	D16/218
D559,882 S *	1/2008	Nakamura	D16/218

1 Claim, 5 Drawing Sheets



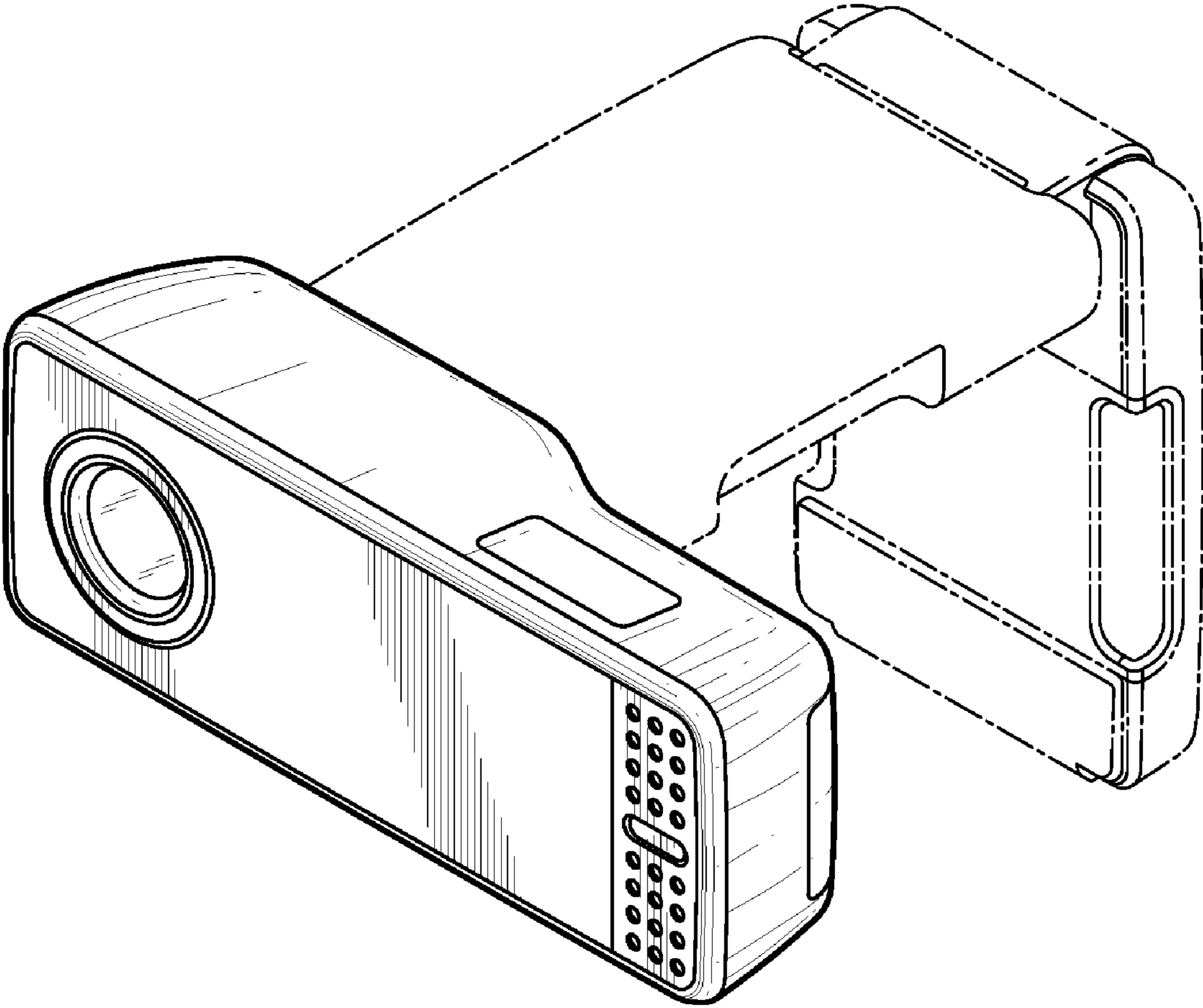


FIG. 1

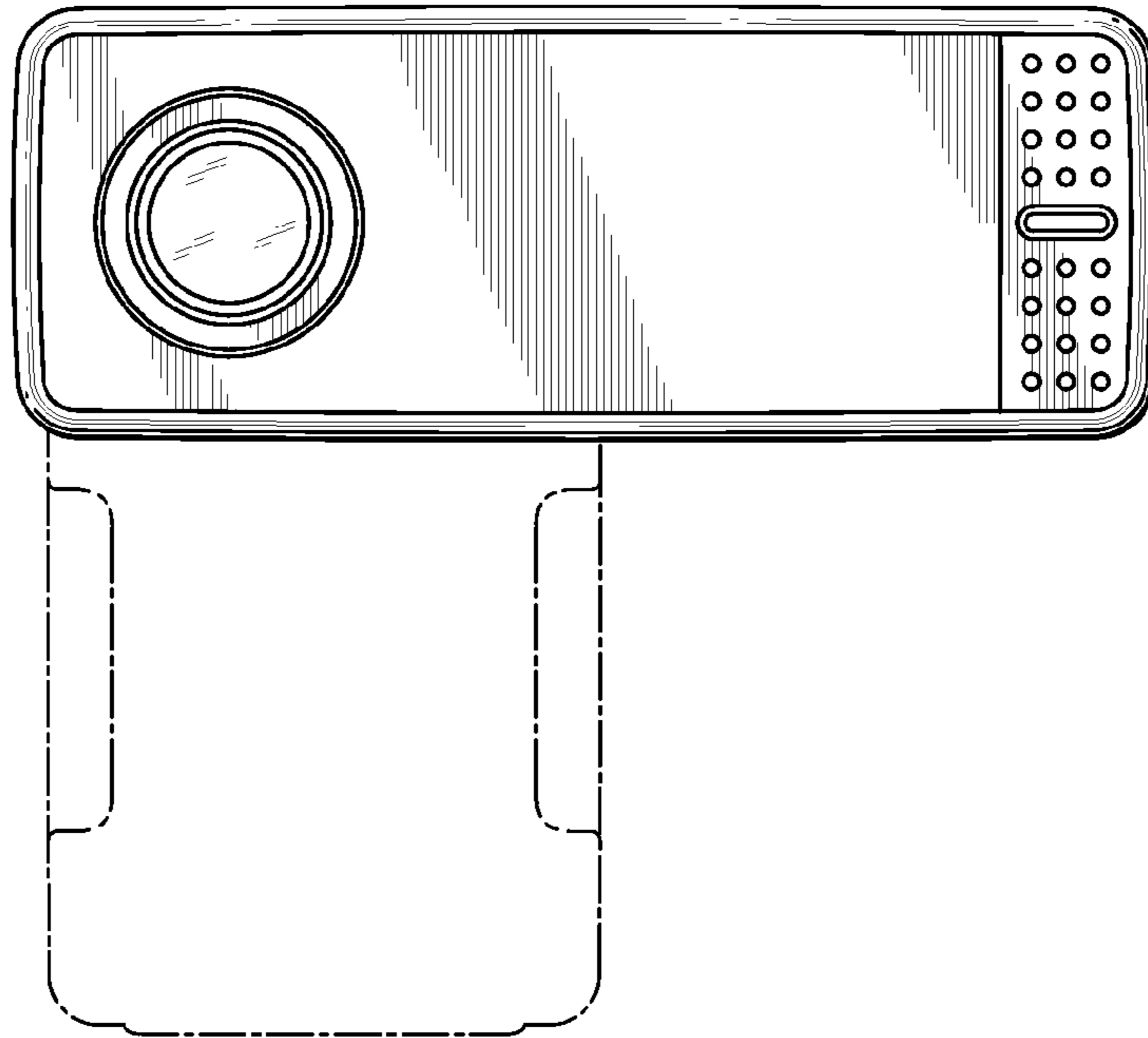


FIG. 2

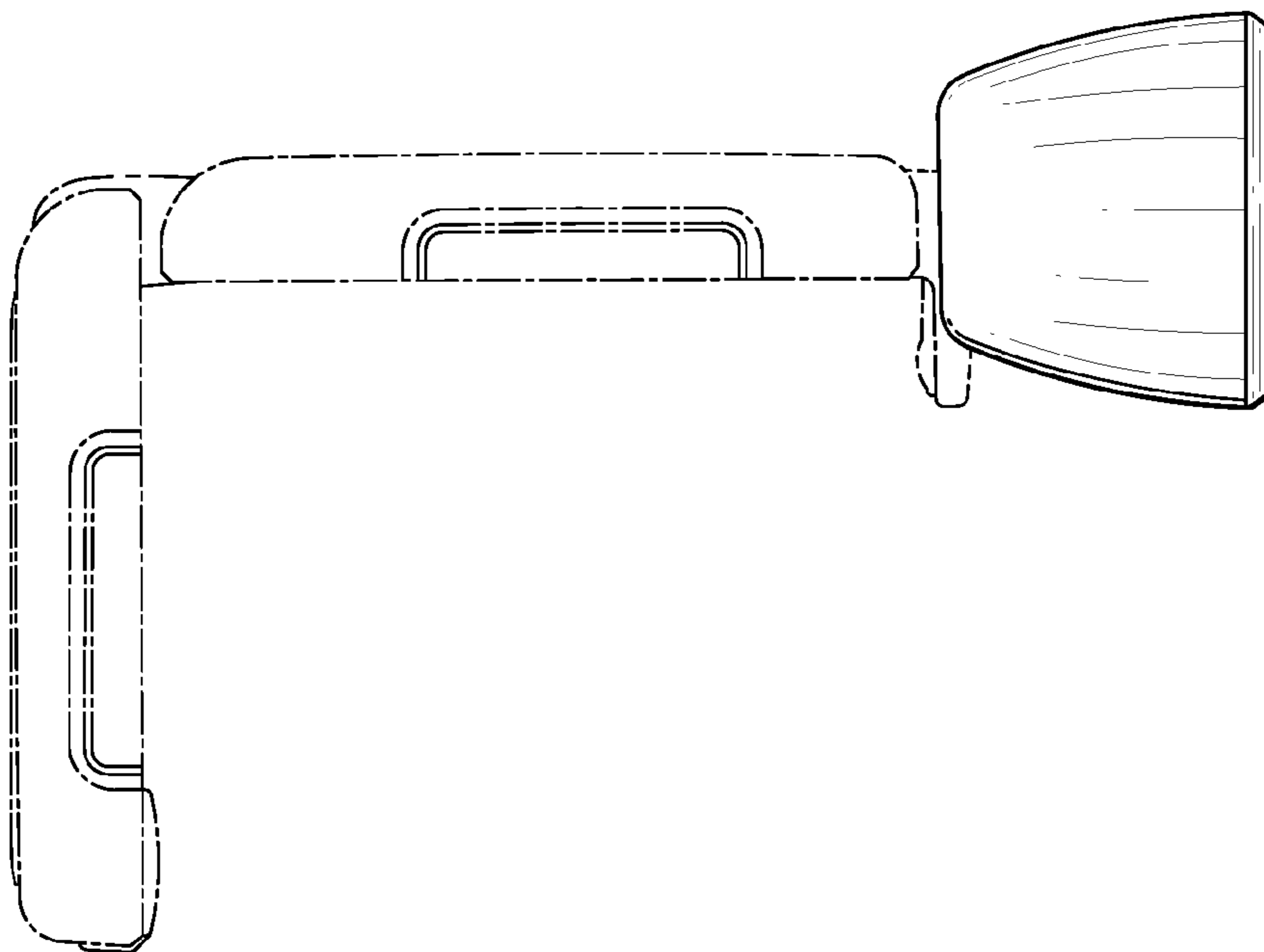


FIG. 3

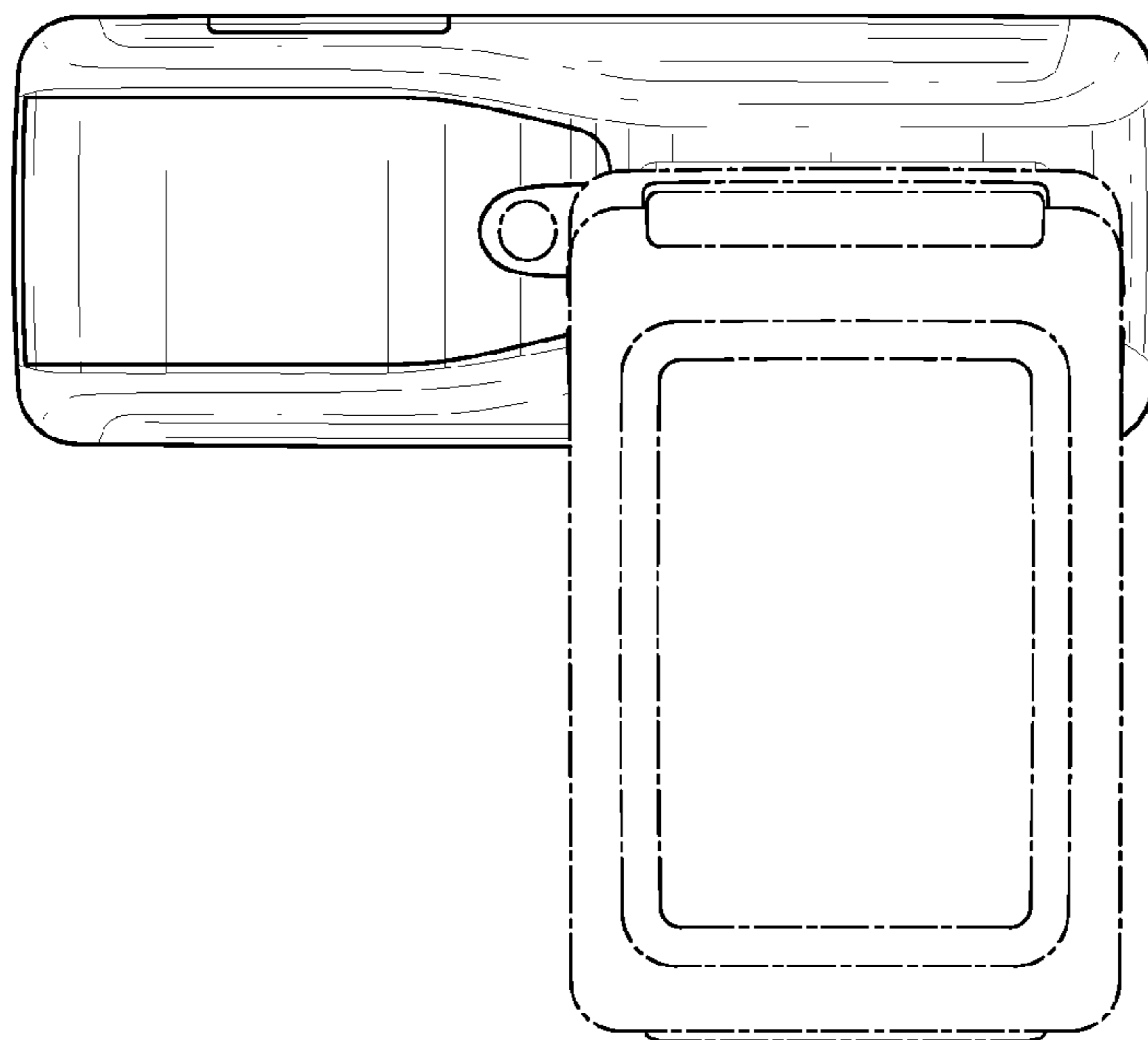


FIG. 4

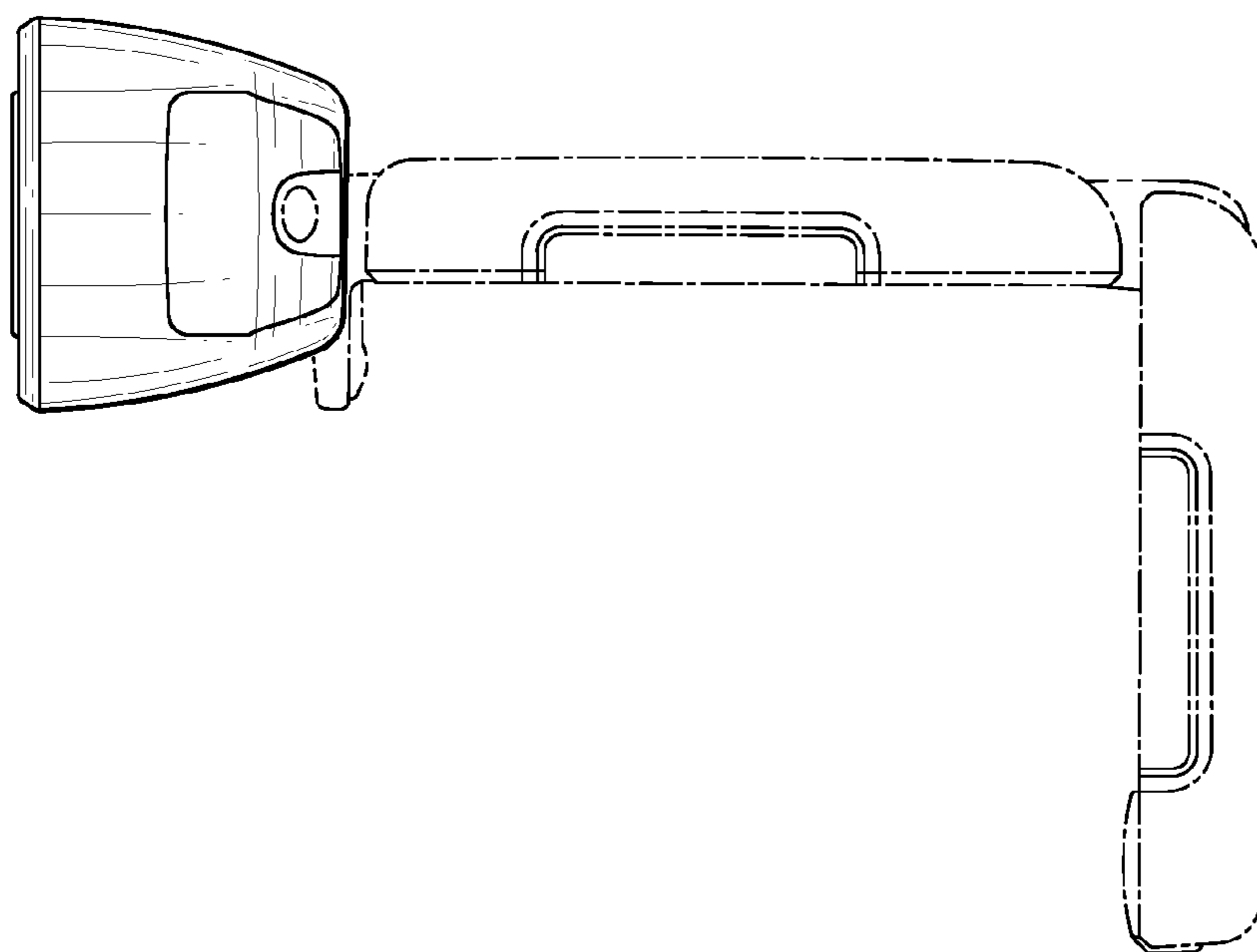


FIG. 5

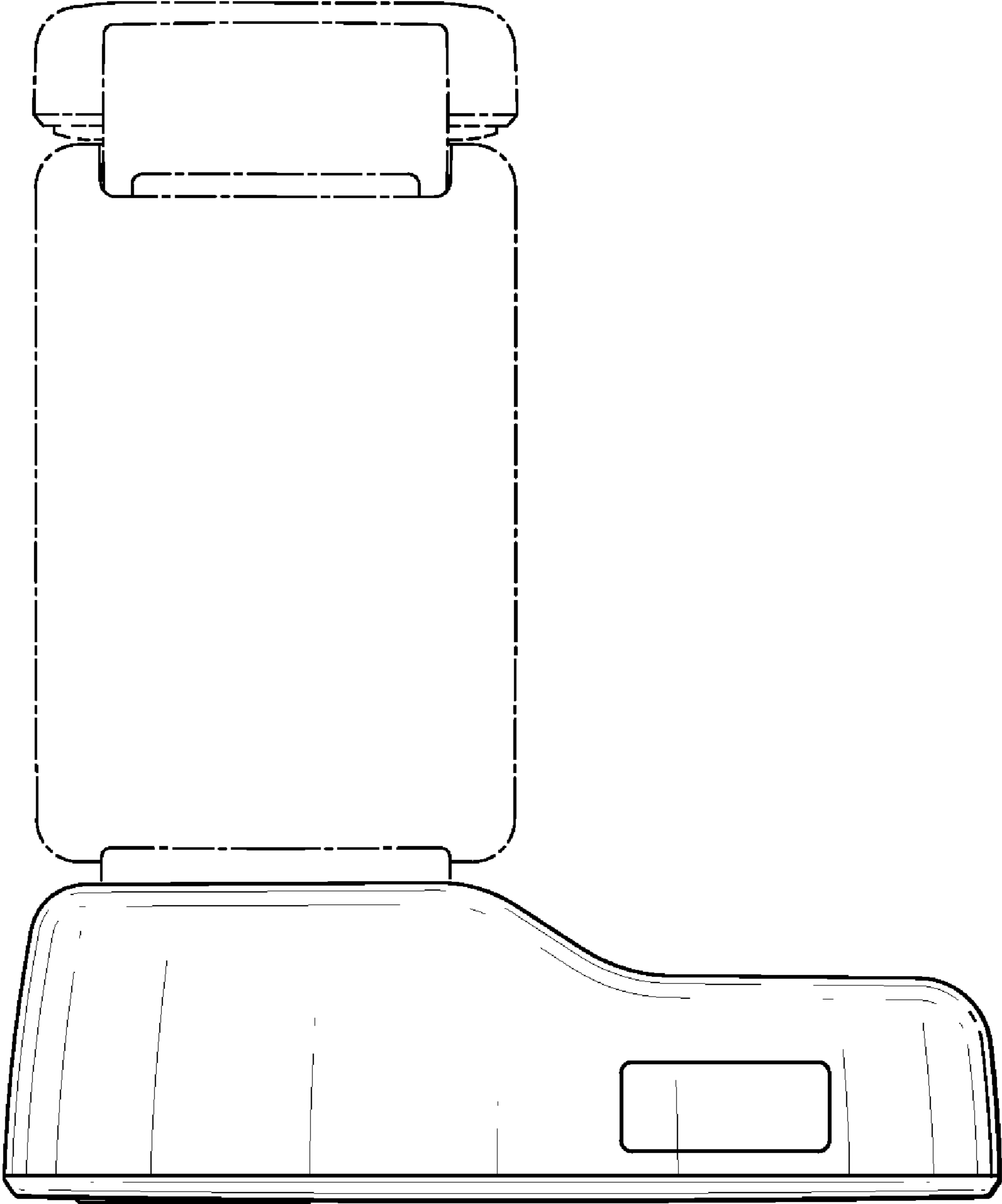


FIG. 6

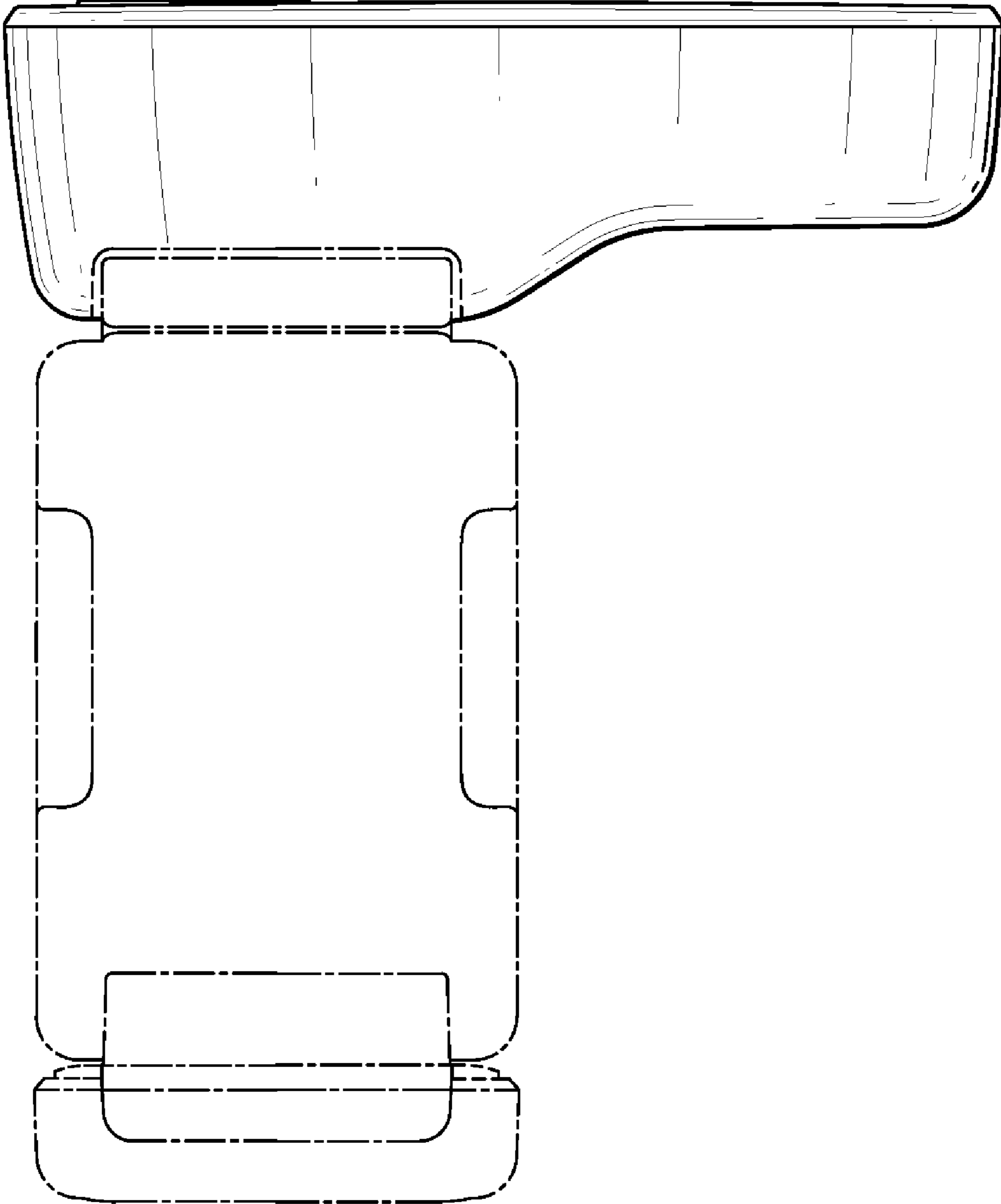


FIG. 7