



US00D581959S

(12) **United States Design Patent**
Chan

(10) **Patent No.:** **US D581,959 S**

(45) **Date of Patent:** **** Dec. 2, 2008**

(54) **VIDEO CAMERA**

(75) Inventor: **Raymond Chan**, Hong Kong (CN)

(73) Assignee: **IDT Electronic Products Limited**,
Kowloon, Hong Kong (CN)

(**) Term: **14 Years**

(21) Appl. No.: **29/266,419**

(22) Filed: **Sep. 20, 2006**

(30) **Foreign Application Priority Data**

Mar. 30, 2006 (HK) 0600804

(51) **LOC (8) Cl.** **16-01**

(52) **U.S. Cl.** **D16/203**

(58) **Field of Classification Search** D16/200–206,
D16/208, 217–218, 242, 130–132; 348/373–376,
348/143, 151; 396/535–541, 419, 427, 433,
396/448, 486–488; 358/909.1

See application file for complete search history.

(56) **References Cited**

U.S. PATENT DOCUMENTS

3,285,151 A * 11/1966 Black 348/143
5,224,675 A * 7/1993 Ellenberger et al. 396/427
D378,095 S * 2/1997 Hasegawa D16/203
D430,888 S * 9/2000 Adachi et al. D16/203

D500,511 S * 1/2005 Sybilrud D16/203
6,880,987 B2 * 4/2005 Diana et al. 396/427
D506,215 S * 6/2005 Lin et al. D16/218

* cited by examiner

Primary Examiner—Ian Simmons

Assistant Examiner—Wan Laymon

(74) *Attorney, Agent, or Firm*—Alix, Yale & Ristas, LLP

(57) **CLAIM**

The ornamental design for a video camera, as shown and described.

DESCRIPTION

FIG. 1 is a front end, right side and top perspective view of a video camera showing my new design;

FIG. 2 is a rear end, left side and top perspective view thereof;

FIG. 3 is a right side elevational view thereof;

FIG. 4 is a left side elevational view thereof;

FIG. 5 is a front end view thereof;

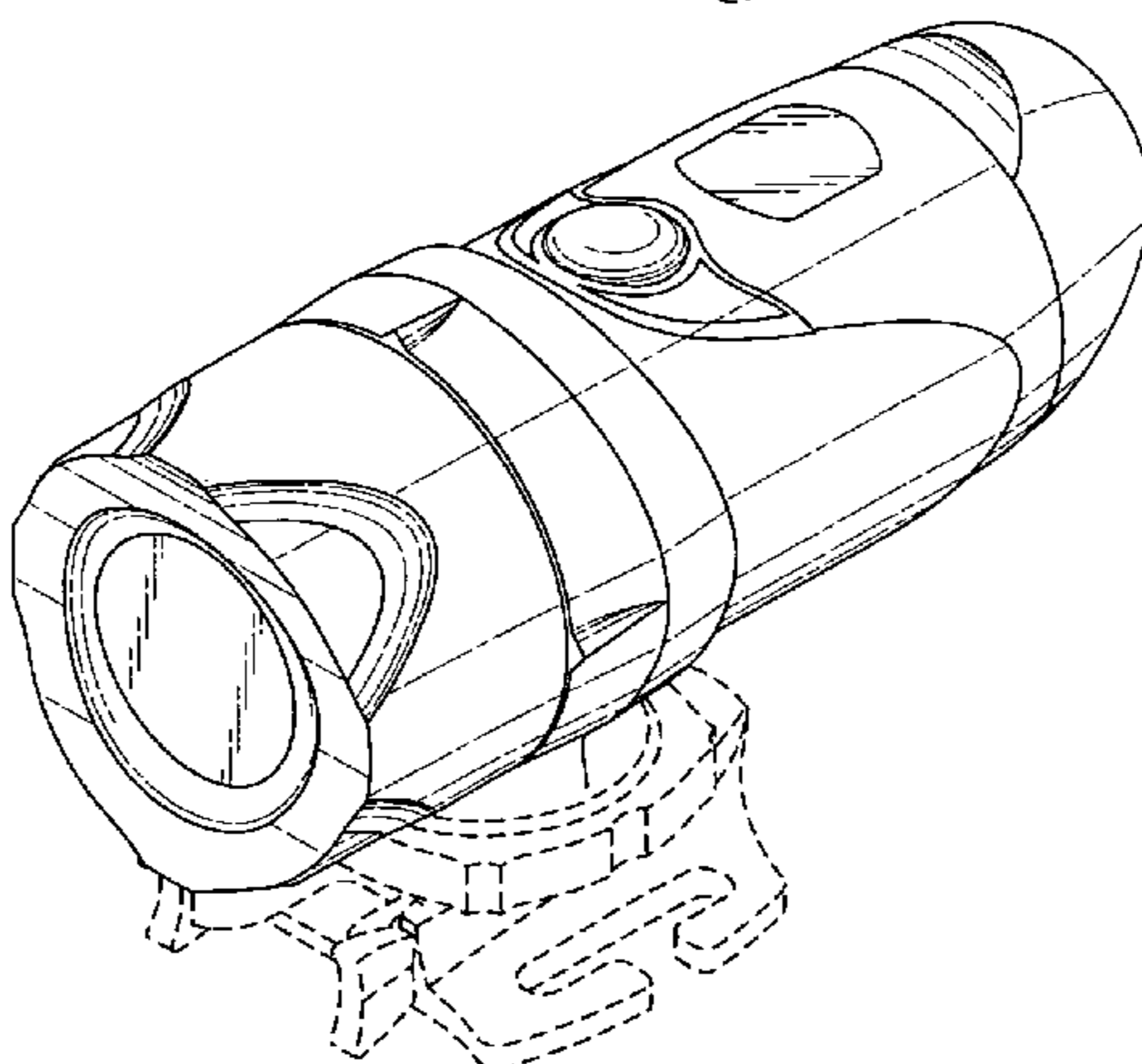
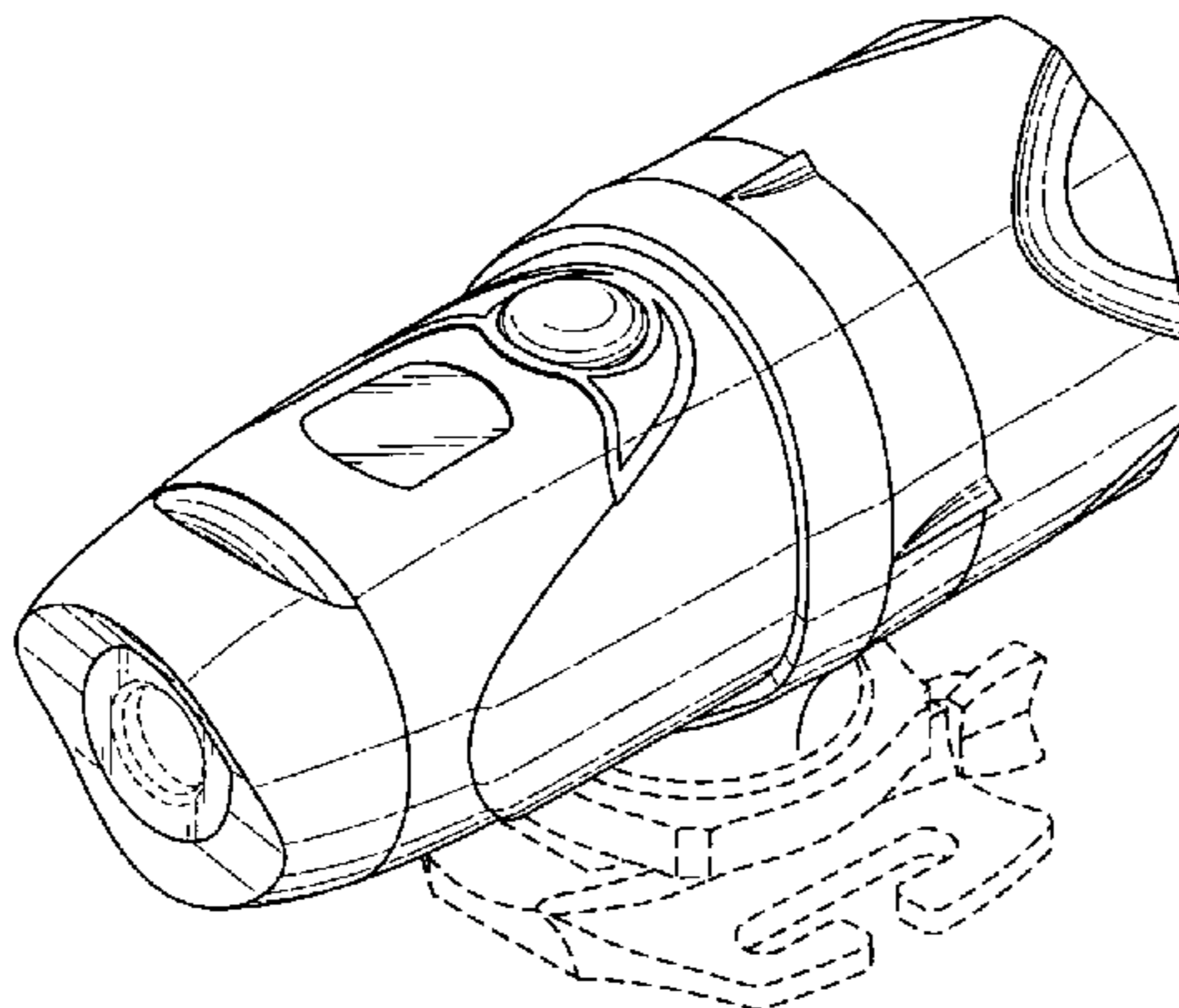
FIG. 6 is a rear end view thereof;

FIG. 7 is a top plan view thereof; and,

FIG. 8 is a bottom plan view thereof.

The broken lines in the figures are for illustrative purposes only and form no part of the claimed design.

1 Claim, 4 Drawing Sheets



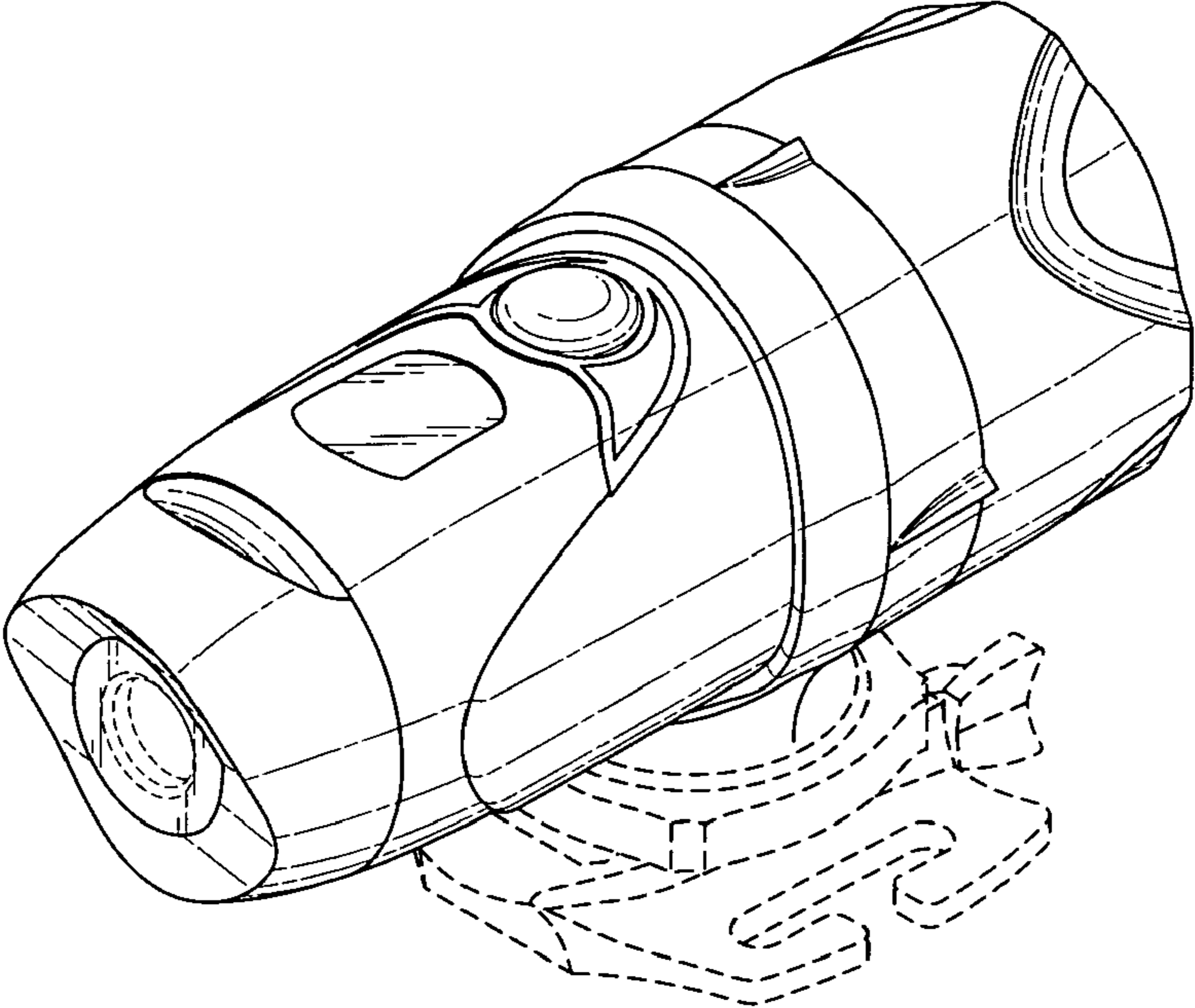


FIG. 1

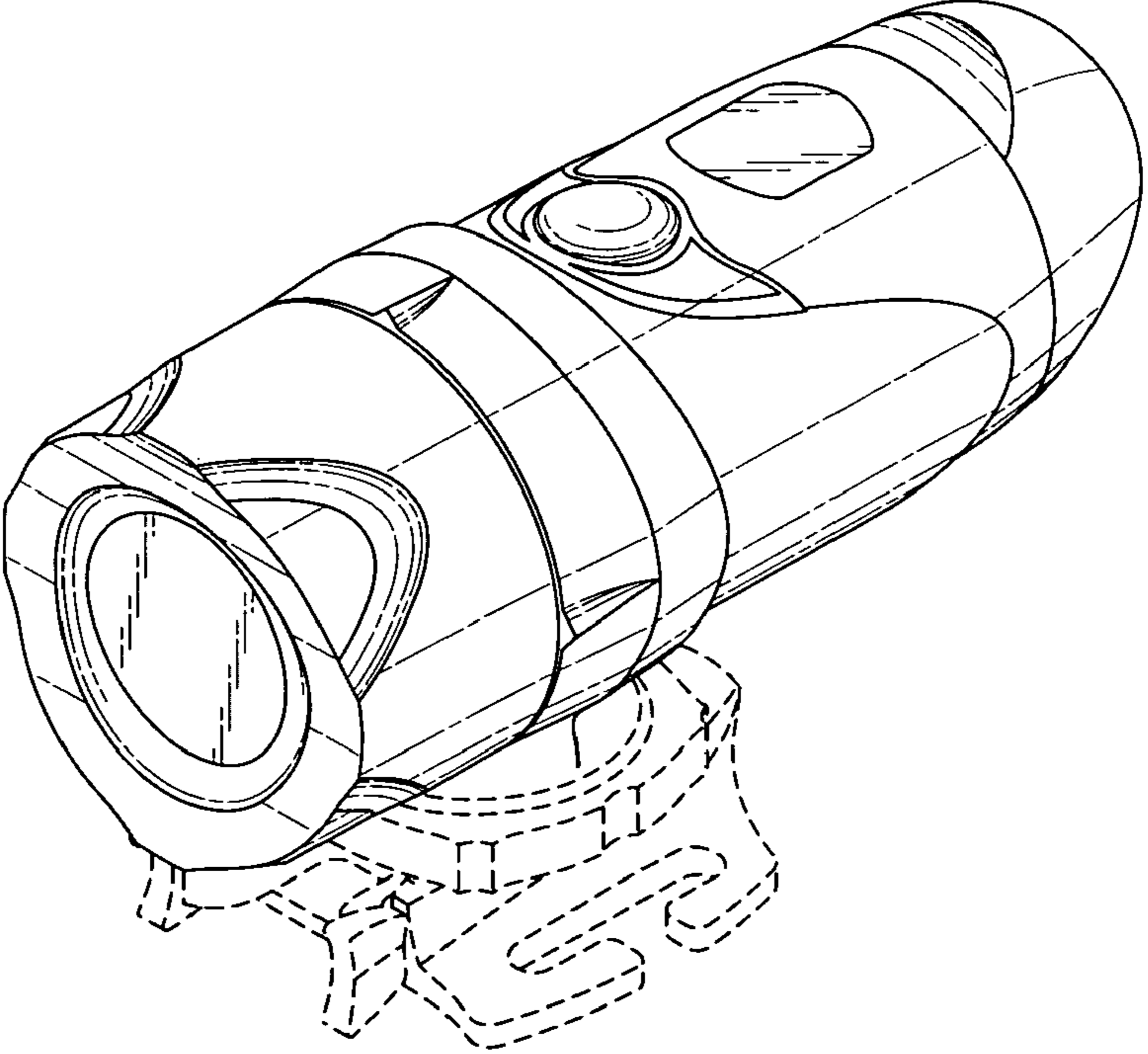


FIG. 2

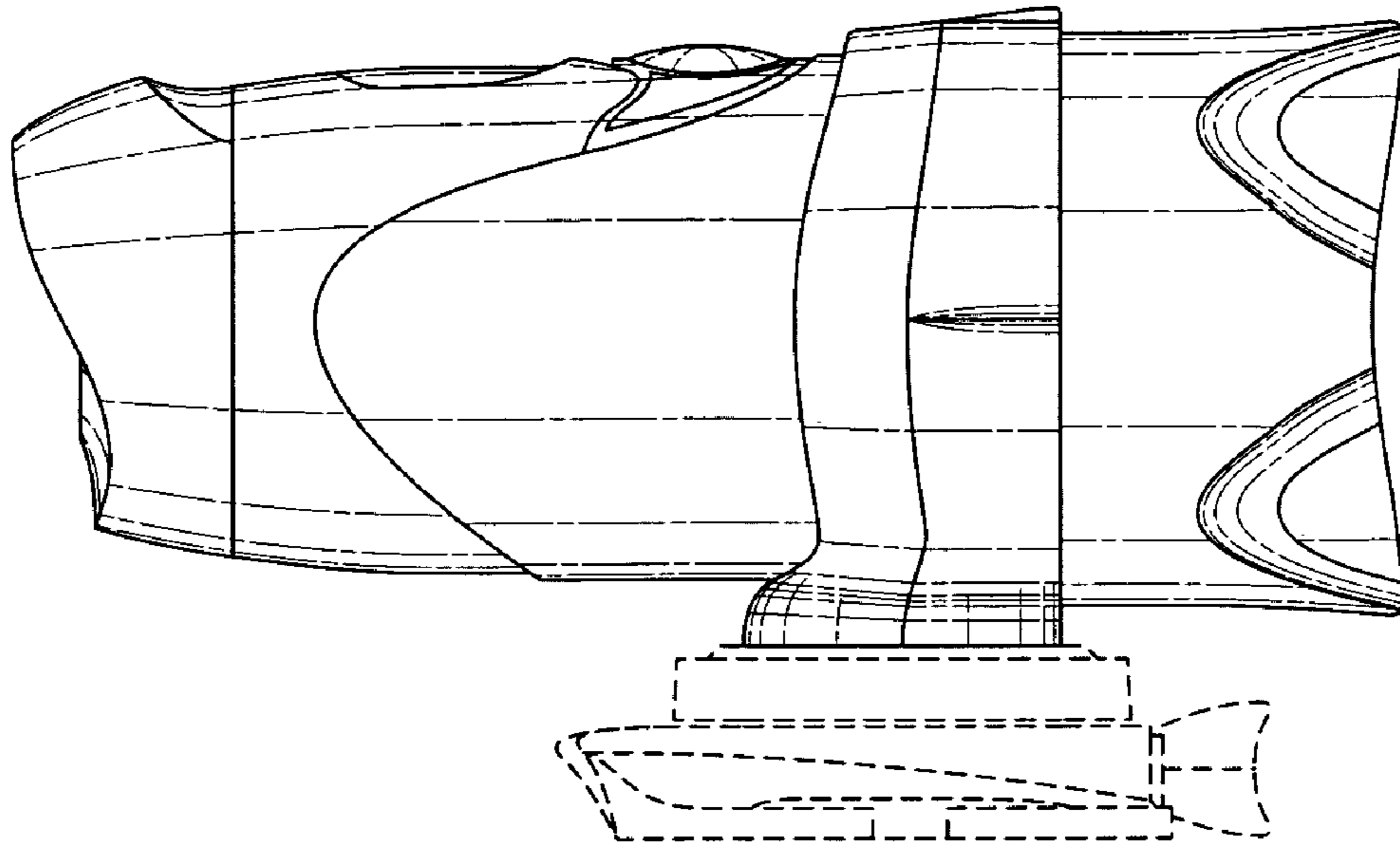


FIG. 3

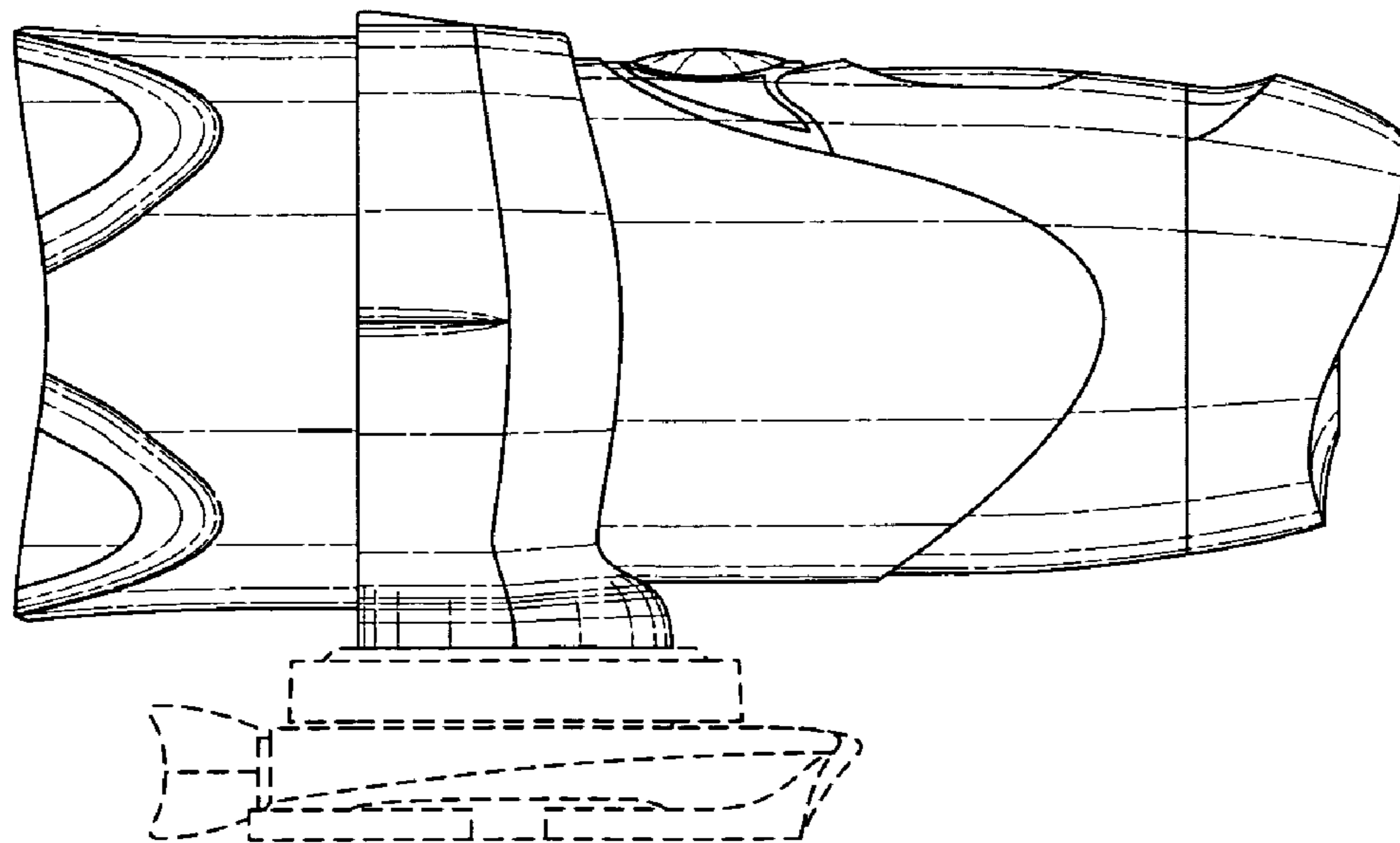


FIG. 4

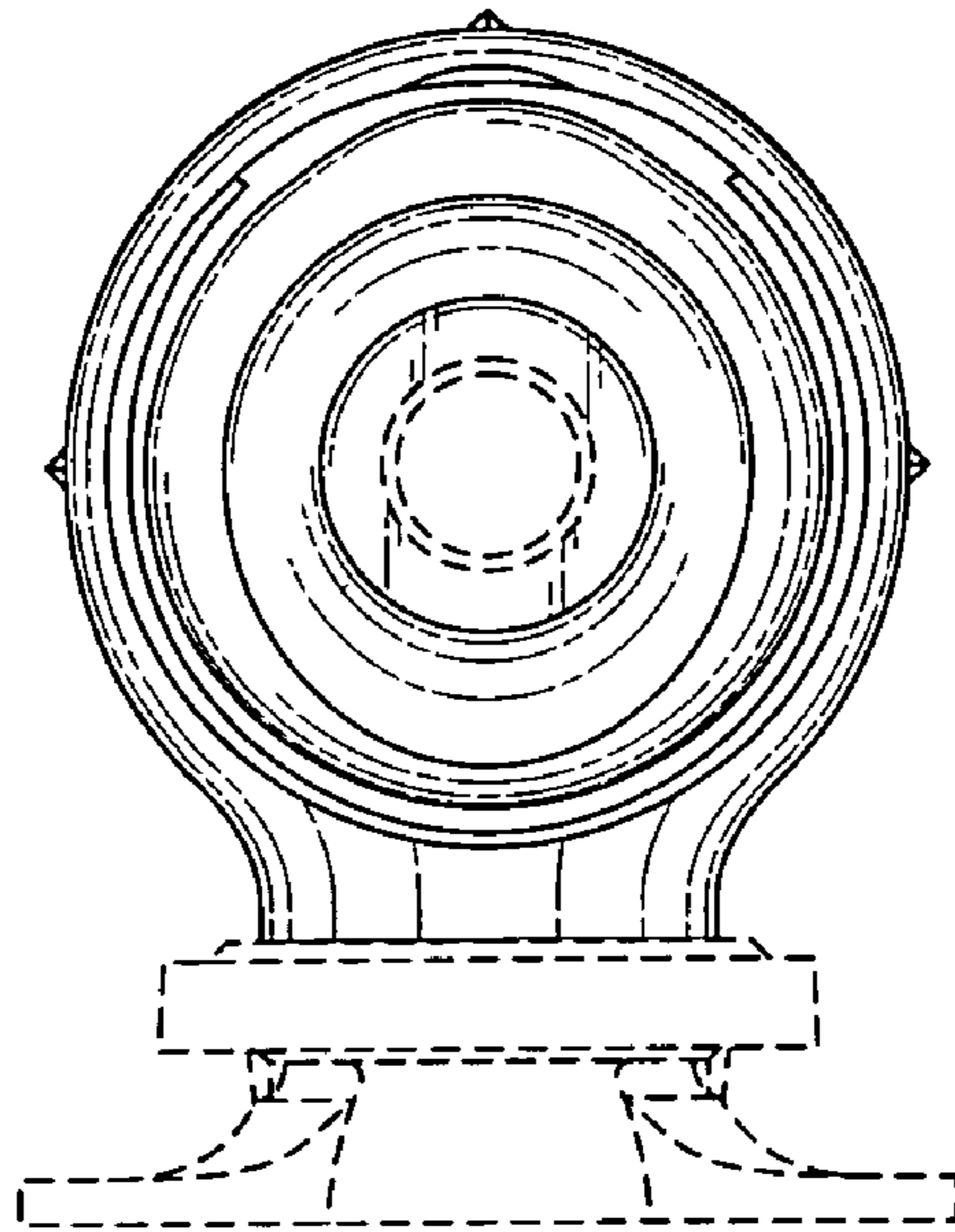


FIG. 5

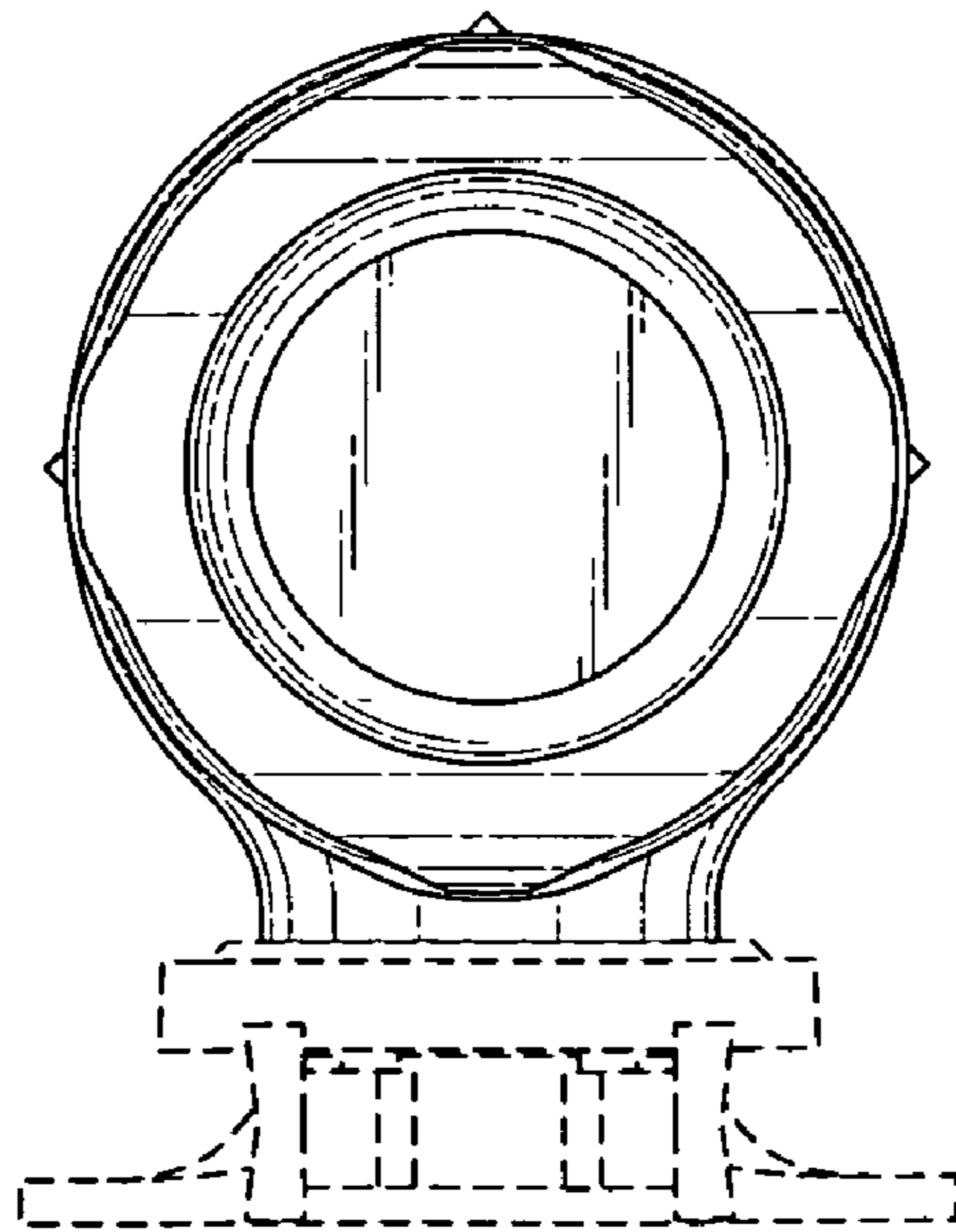


FIG. 6

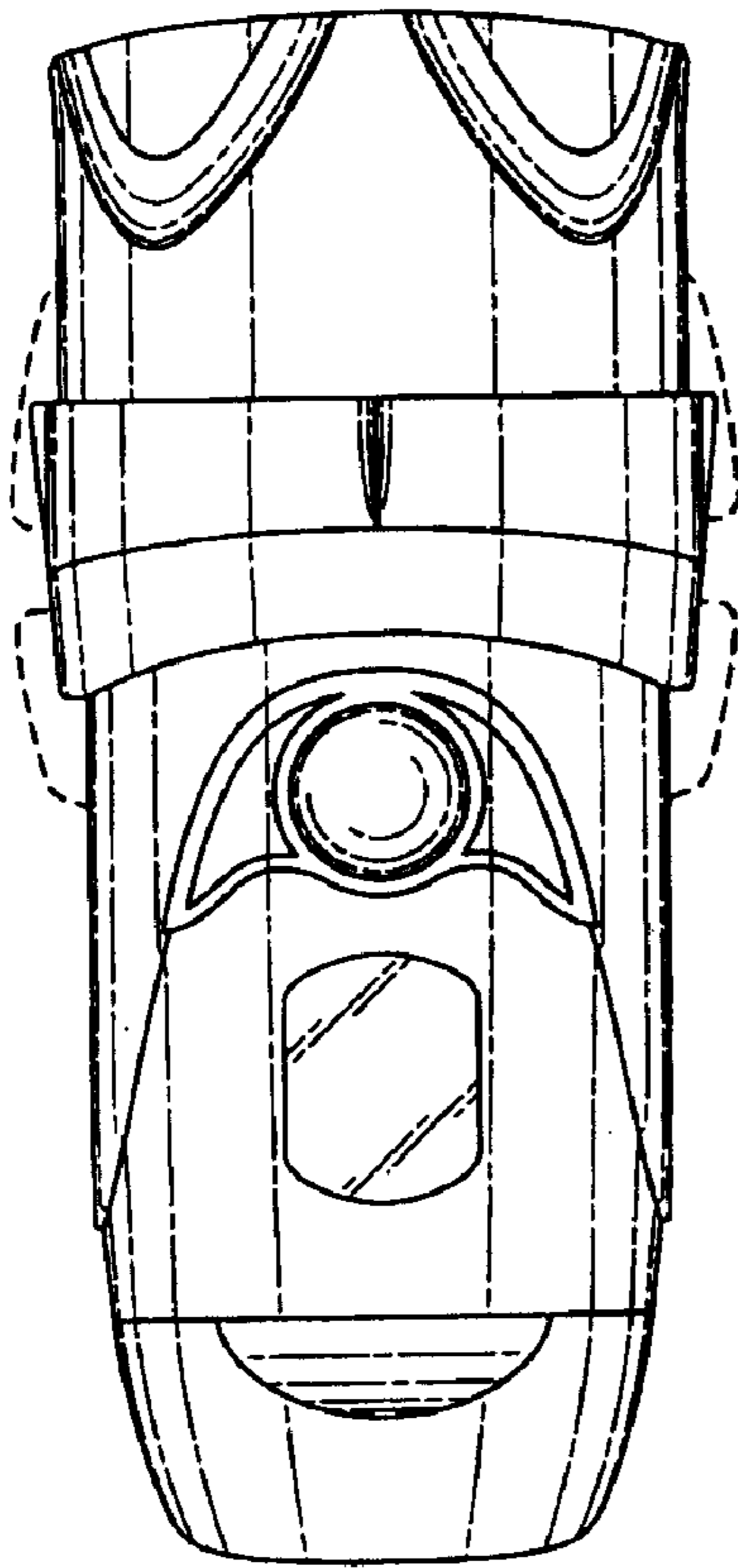


FIG. 7

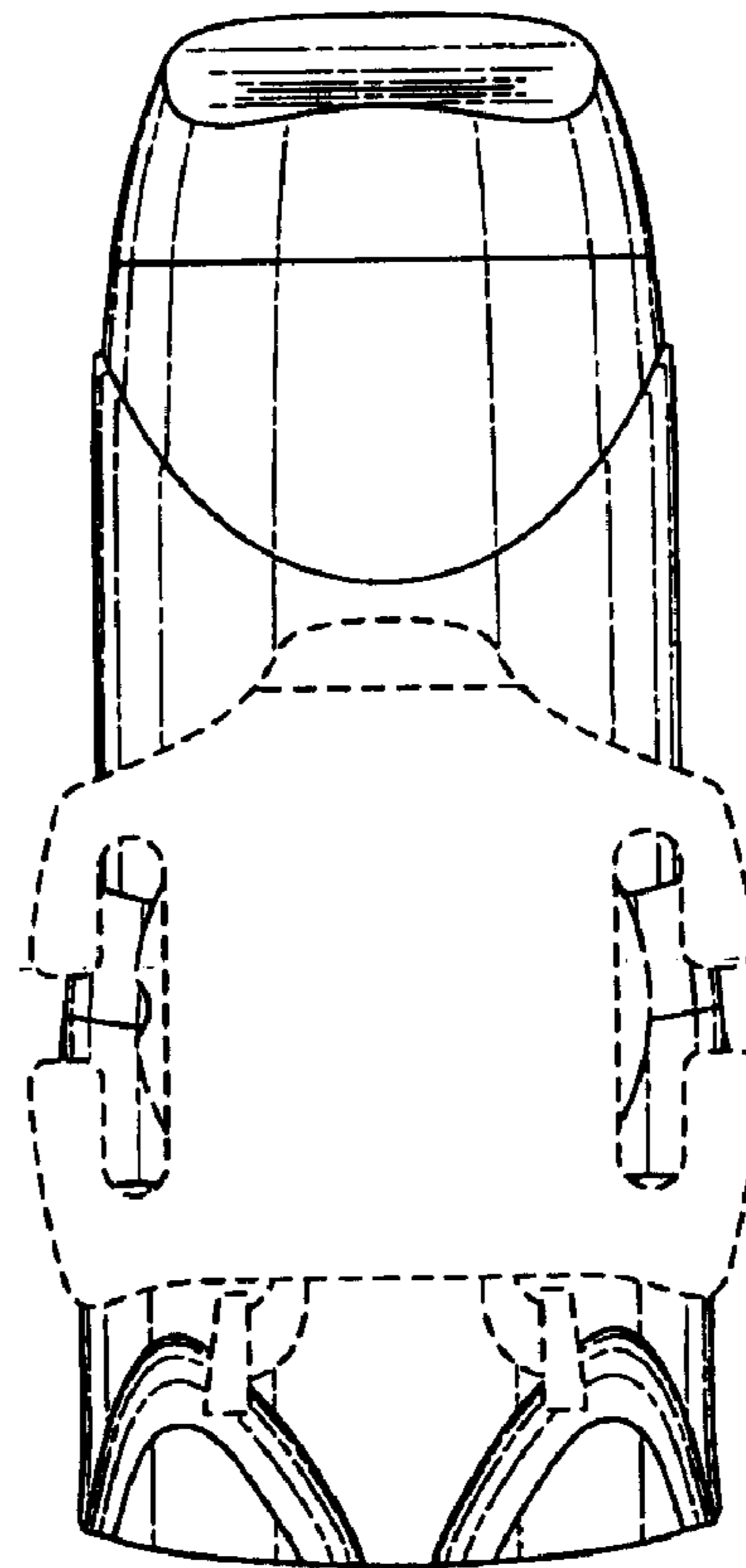


FIG. 8