



US00D581957S

(12) **United States Design Patent**
Elie

(10) **Patent No.:** **US D581,957 S**
(45) **Date of Patent:** **** Dec. 2, 2008**

(54) **OPHTHALMIC LENS EDGER**

(75) Inventor: **François Elie**, Domalain (FR)

(73) Assignee: **Essilor International (Compagnie Generale d'Optique)**, Charenton le Pont (FR)

(**) Term: **14 Years**

(21) Appl. No.: **29/302,196**

(22) Filed: **Jan. 11, 2008**

(30) **Foreign Application Priority Data**

Jul. 13, 2007 (EM) 000769567

(51) **LOC (8) Cl.** **15-09**

(52) **U.S. Cl.** **D15/124**

(58) **Field of Classification Search** D15/124-127;
451/5, 9, 11, 13, 42, 43, 240, 255, 541, 550;
700/159, 164

See application file for complete search history.

(56) **References Cited**

U.S. PATENT DOCUMENTS

D435,053 S * 12/2000 Andrews et al. D15/124

6,497,614 B2 * 12/2002 Kobayashi et al. 451/43
7,198,547 B2 * 4/2007 Kim et al. 451/8
7,335,087 B2 * 2/2008 Tanaka et al. 451/5
7,338,350 B2 * 3/2008 Gerding 451/43

* cited by examiner

Primary Examiner—Antoine D Davis

(74) *Attorney, Agent, or Firm*—Gardere Wynne Sewell, LLP

(57) **CLAIM**

The ornamental design for a ophthalmic lens edger, as shown and described.

DESCRIPTION

FIG. 1 is a perspective view of an ophthalmic lens edger, showing my new design;

FIG. 2 is a front view thereof;

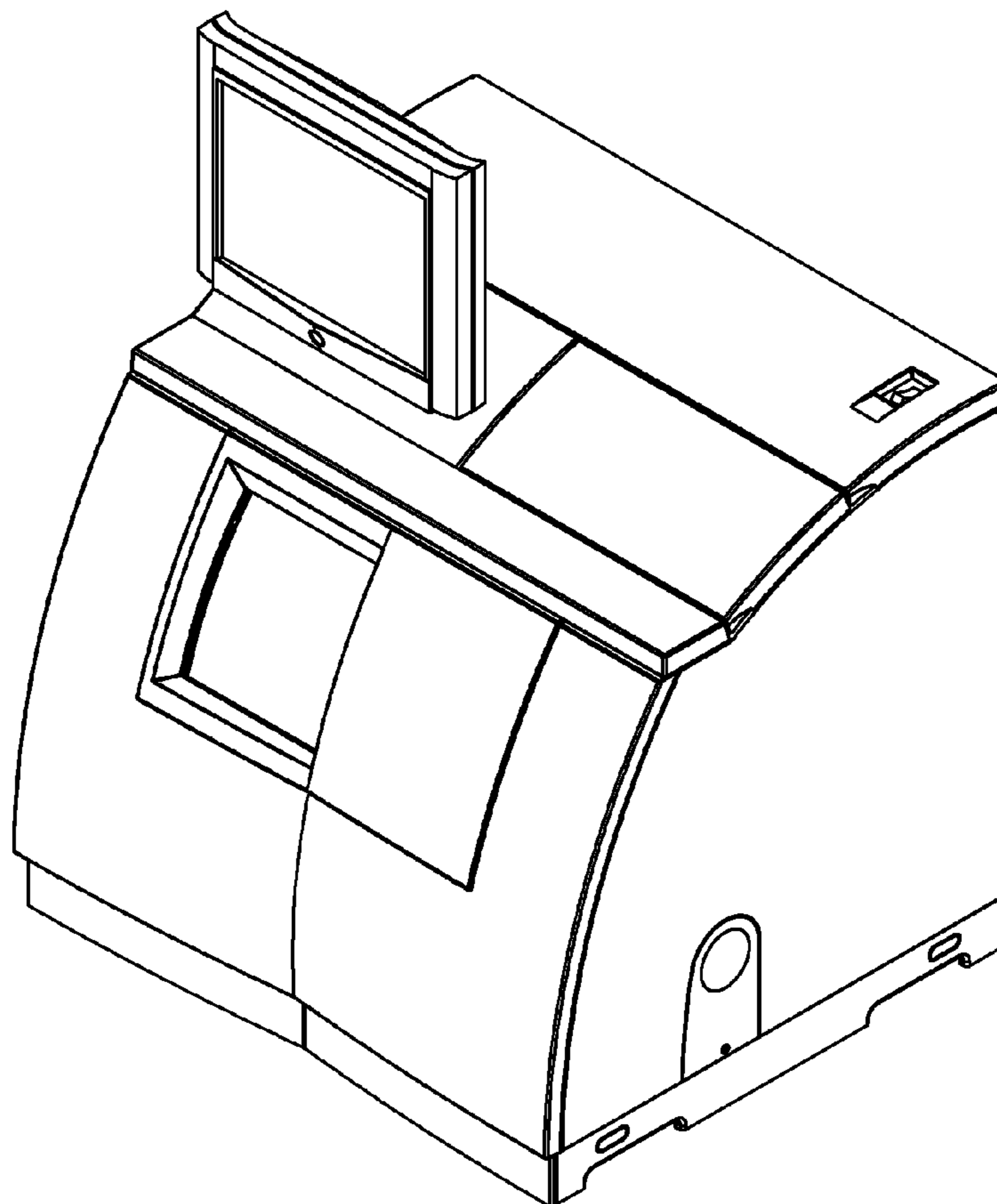
FIG. 3 is a rear view thereof;

FIG. 4 is a left side view thereof;

FIG. 5 is a right side view thereof; and,

FIG. 6 is a top view thereof.

1 Claim, 6 Drawing Sheets



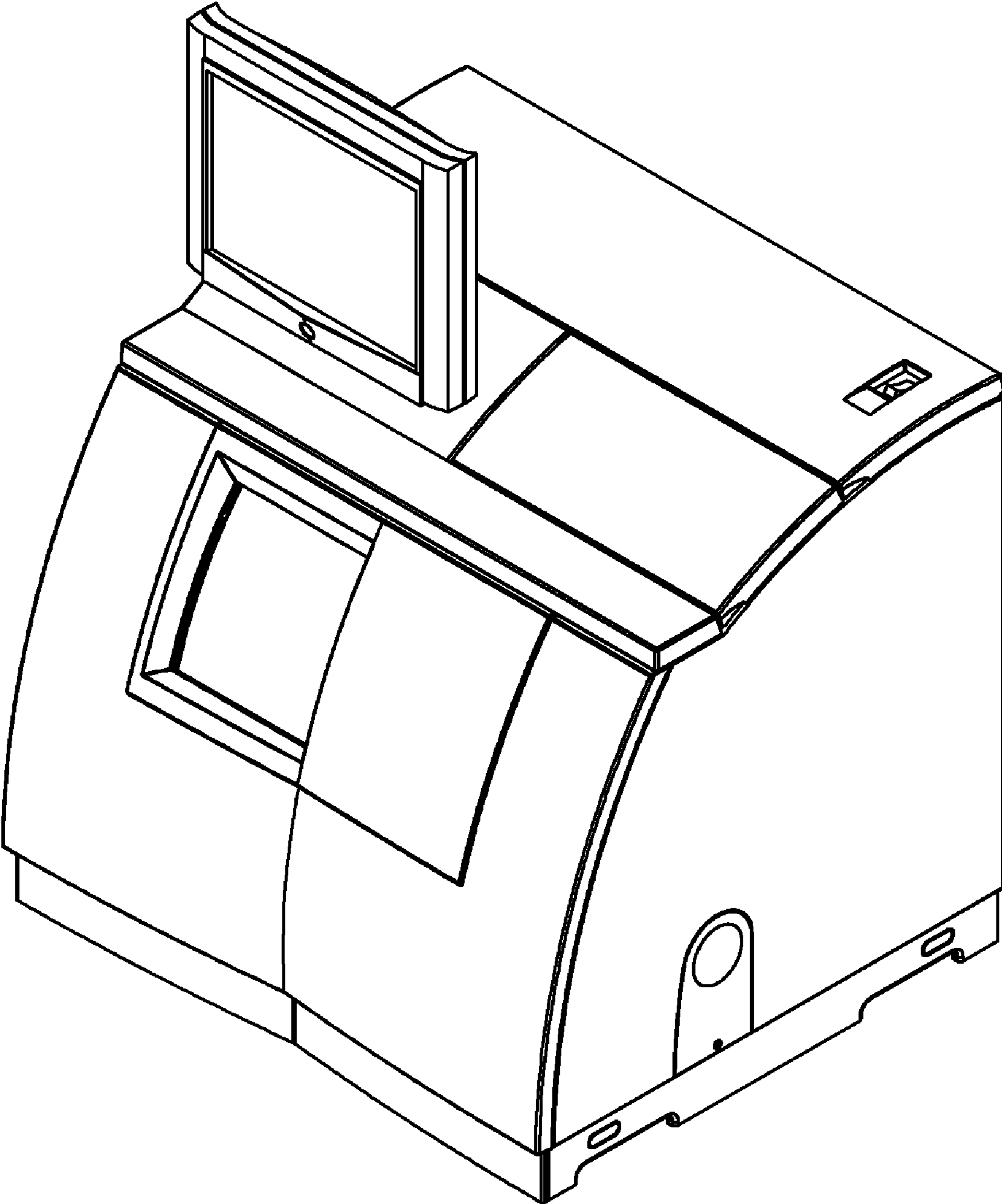


Figure 1

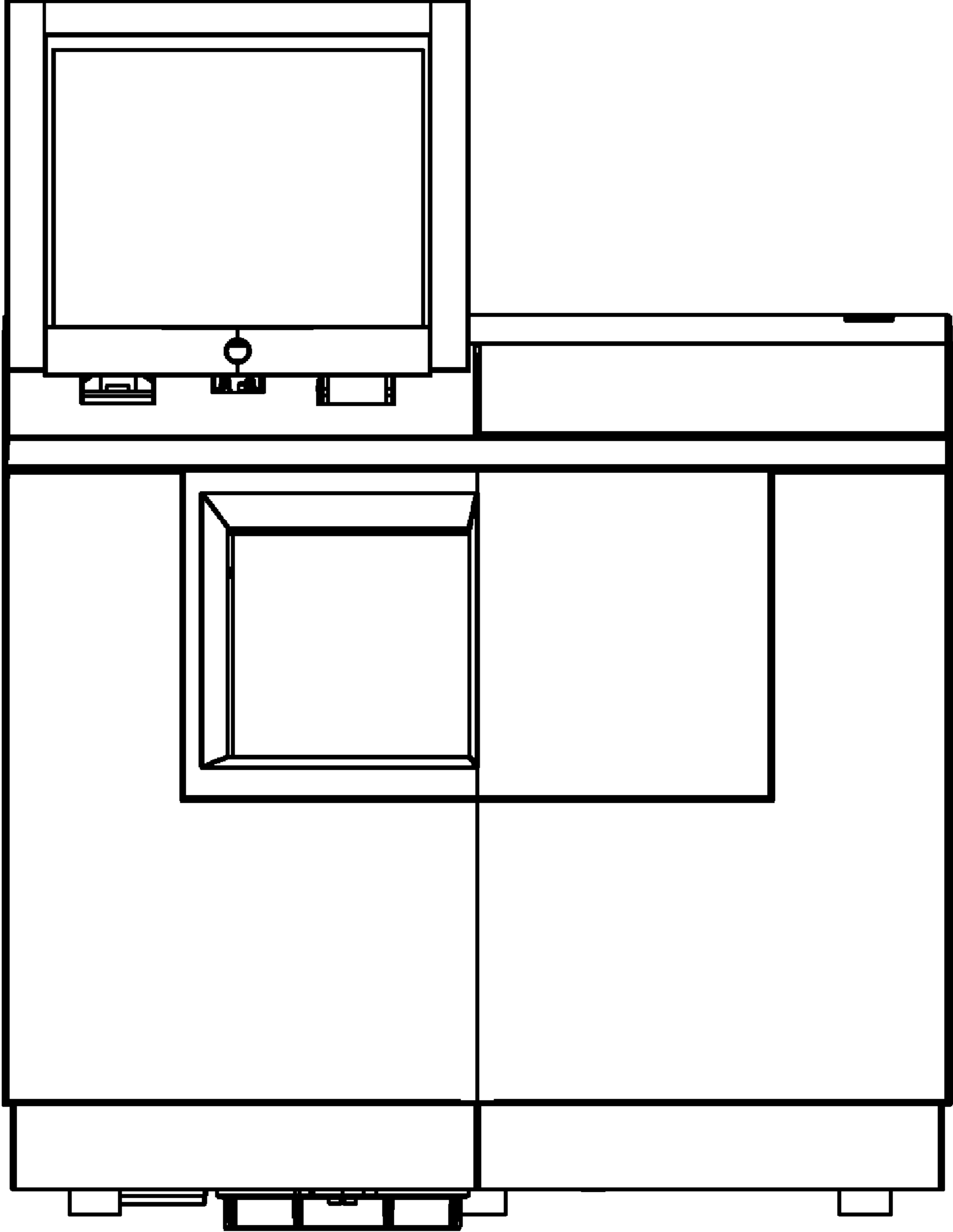


Figure 2

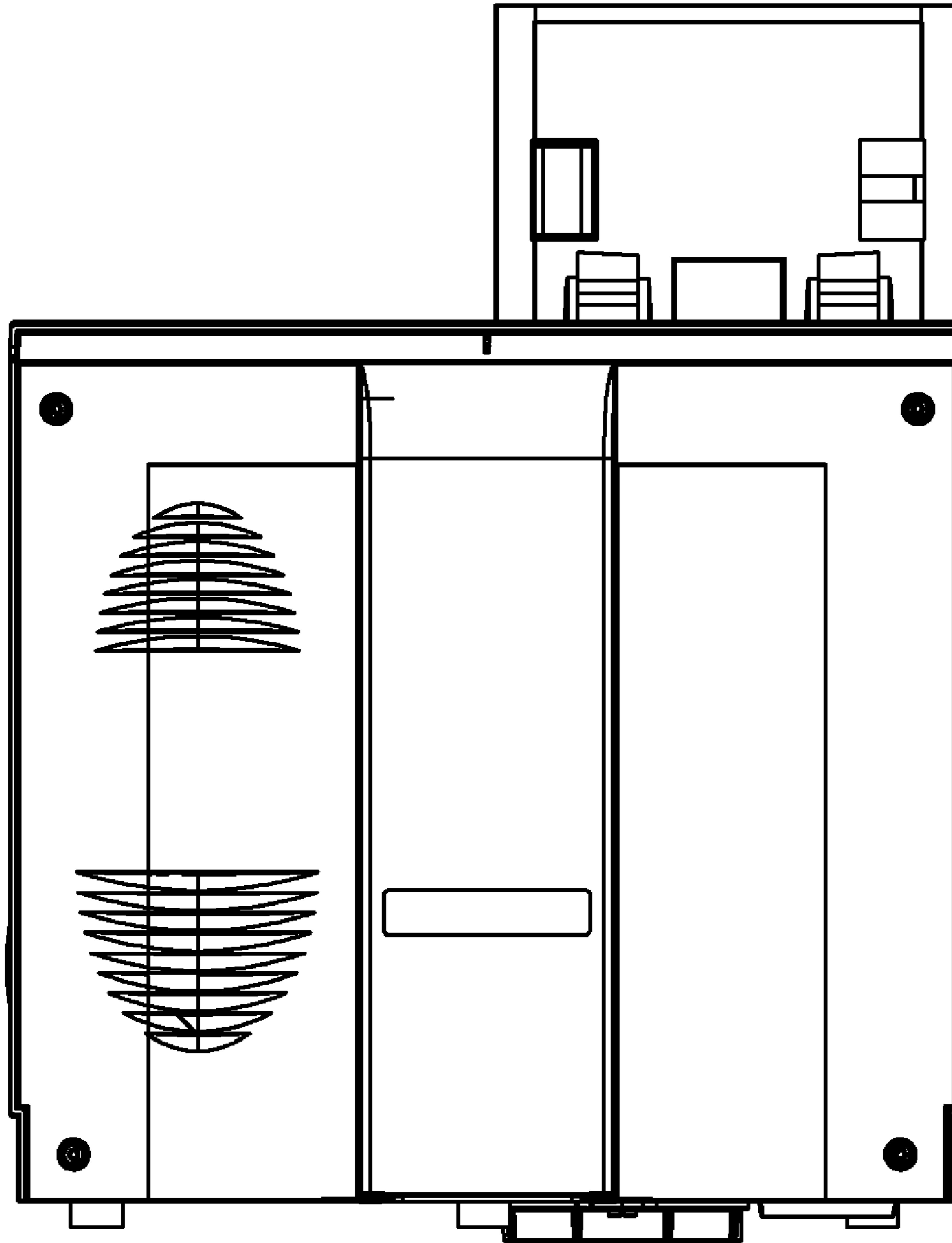


Figure 3

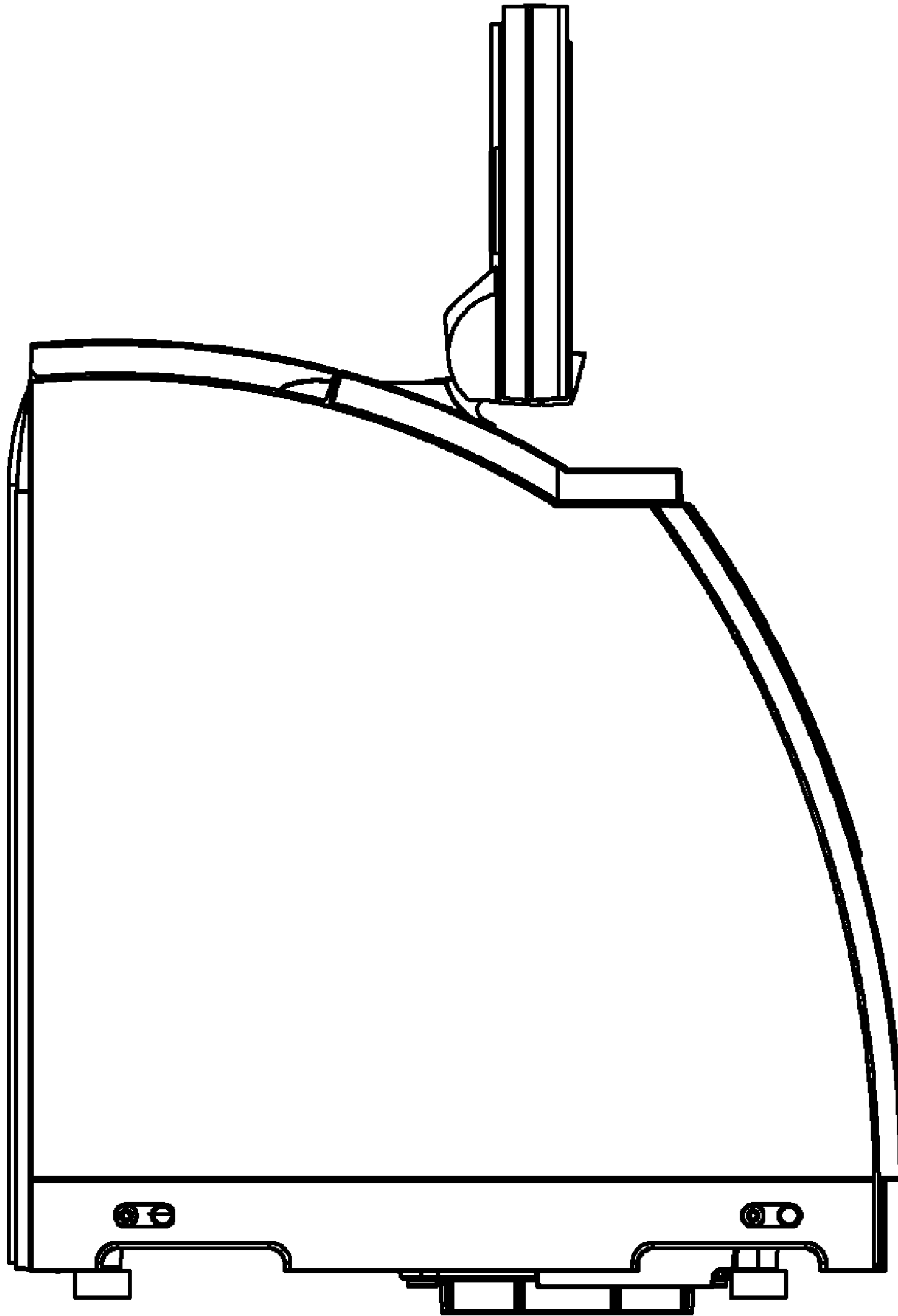


Figure 4

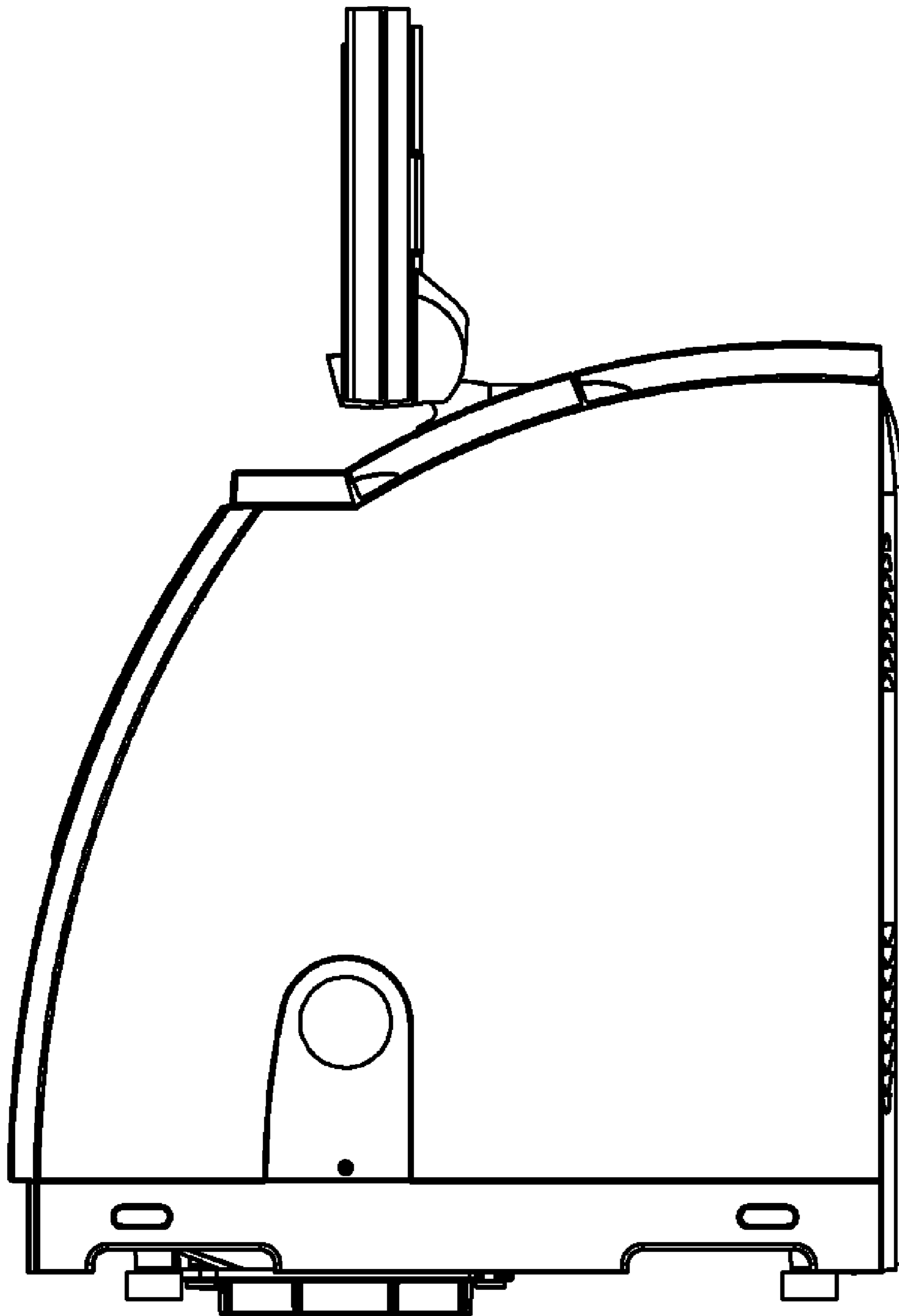


Figure 5

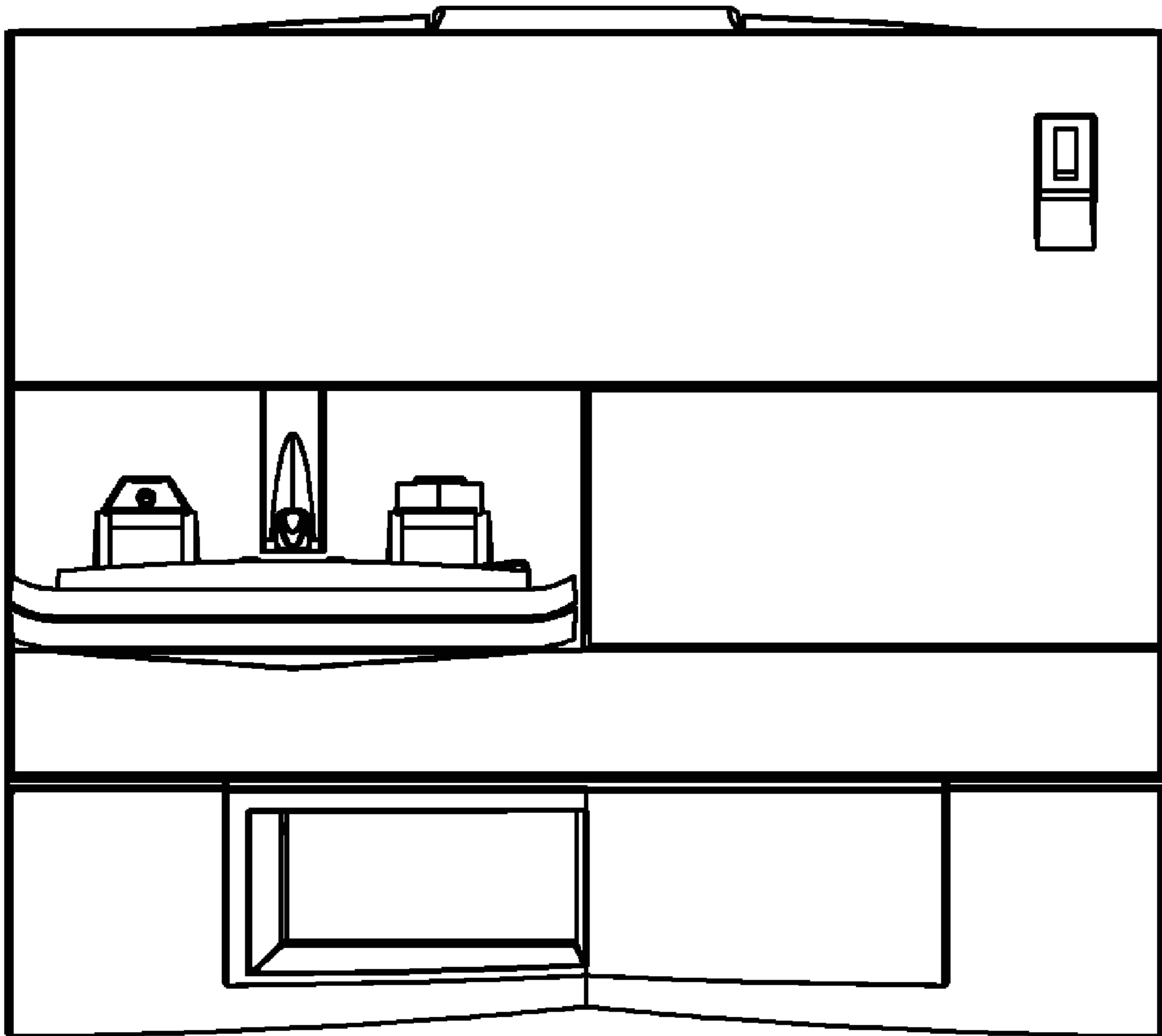


Figure 6