



US00D581956S

(12) **United States Design Patent**
Dairon et al.

(10) **Patent No.:** **US D581,956 S**
(45) **Date of Patent:** **** Dec. 2, 2008**

(54) **MACHINE FOR SHREDDING PLANTS OR VEGETABLES**

(75) Inventors: **Michel Dairon**, Pruille l'Eguille (FR);
José Loyer, Mansigne (FR)

(73) Assignee: **SAS DAIRON**, Mulsanne (FR)

(**) Term: **14 Years**

(21) Appl. No.: **29/279,353**

(22) Filed: **Apr. 27, 2007**

(30) **Foreign Application Priority Data**

Oct. 31, 2006 (FR) 06 5046

(51) **LOC (8) Cl.** **15-03**

(52) **U.S. Cl.** **D15/32; D15/10; D15/14**

(58) **Field of Classification Search** D15/10,
D15/14, 17, 27, 28, 21, 32; 56/255, 504,
56/314, 249, 294, 252, 505, 500, 12.7, 13.1,
56/13.2, DIG. 12; 172/27, 28; 241/79.1,
241/191, 194

See application file for complete search history.

(56) **References Cited**

U.S. PATENT DOCUMENTS

3,096,606	A *	7/1963	Weir	56/16.7
3,844,096	A *	10/1974	Dunn	56/504
4,690,224	A *	9/1987	Shwez	172/45
5,435,117	A *	7/1995	Eggena	56/10.2 D
D379,822	S *	6/1997	Kishi	D15/17
5,666,794	A *	9/1997	Vought et al.	56/15.2
5,848,627	A *	12/1998	Brown	144/34.1
5,873,228	A *	2/1999	Kirch	56/15.1
6,138,444	A *	10/2000	Torras, Sr.	56/6
6,227,469	B1 *	5/2001	Daniels et al.	241/186.3

6,321,518	B1 *	11/2001	O'Hagan	56/294
6,659,378	B2 *	12/2003	Di Anna	241/73
6,871,485	B2 *	3/2005	Schafer	56/249
7,096,900	B2 *	8/2006	Schafer	144/4.1
2003/0183708	A1 *	10/2003	Di Anna	241/101.763
2004/0244350	A1 *	12/2004	Schafer	56/249
2006/0053761	A1 *	3/2006	Lougheed et al.	56/15.8
2007/0151221	A1 *	7/2007	Bergsten et al.	56/15.8

* cited by examiner

Primary Examiner—Ian Simmons

Assistant Examiner—Mark A Goodwin

(74) *Attorney, Agent, or Firm*—Leydig, Voit & Mayer, Ltd.

(57) **CLAIM**

We claim the ornamental design for a machine for shredding plants or vegetables, as shown and described.

DESCRIPTION

FIG. 1 is a first top view of a machine for shredding plants or vegetables according to our new design;

FIG. 2 is a front view thereof;

FIG. 3 is a second top view thereof, with the machine rotated forward;

FIG. 4 is a left side view thereof;

FIG. 5 is a right side view thereof;

FIG. 6 is a top front perspective view thereof;

FIG. 7 is a top rear perspective view thereof;

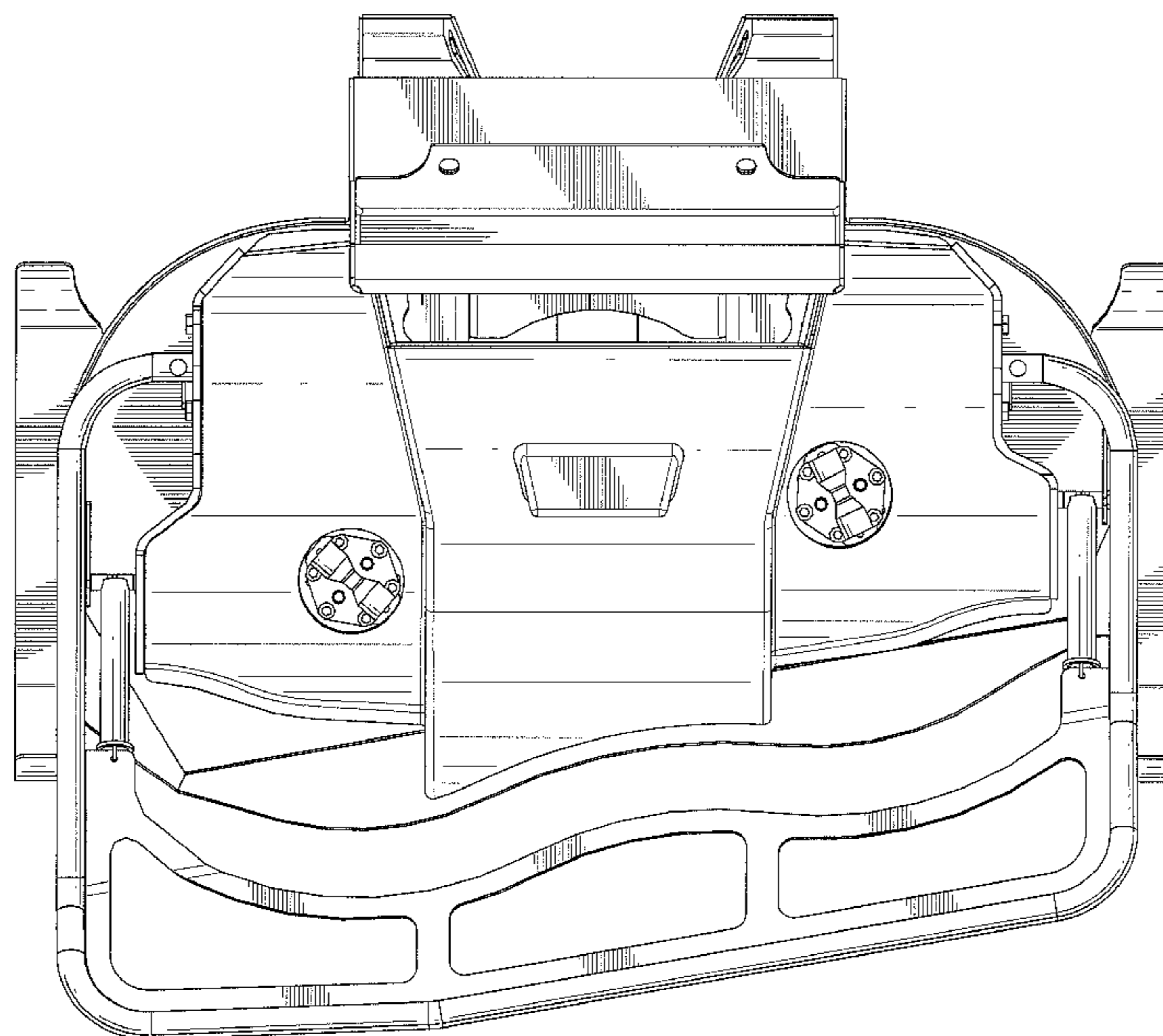
FIG. 8 is a top left side perspective view thereof;

FIG. 9 is a second top right side perspective view thereof;

FIG. 10 is a bottom view thereof; and,

FIG. 11 is a rear view thereof.

1 Claim, 11 Drawing Sheets



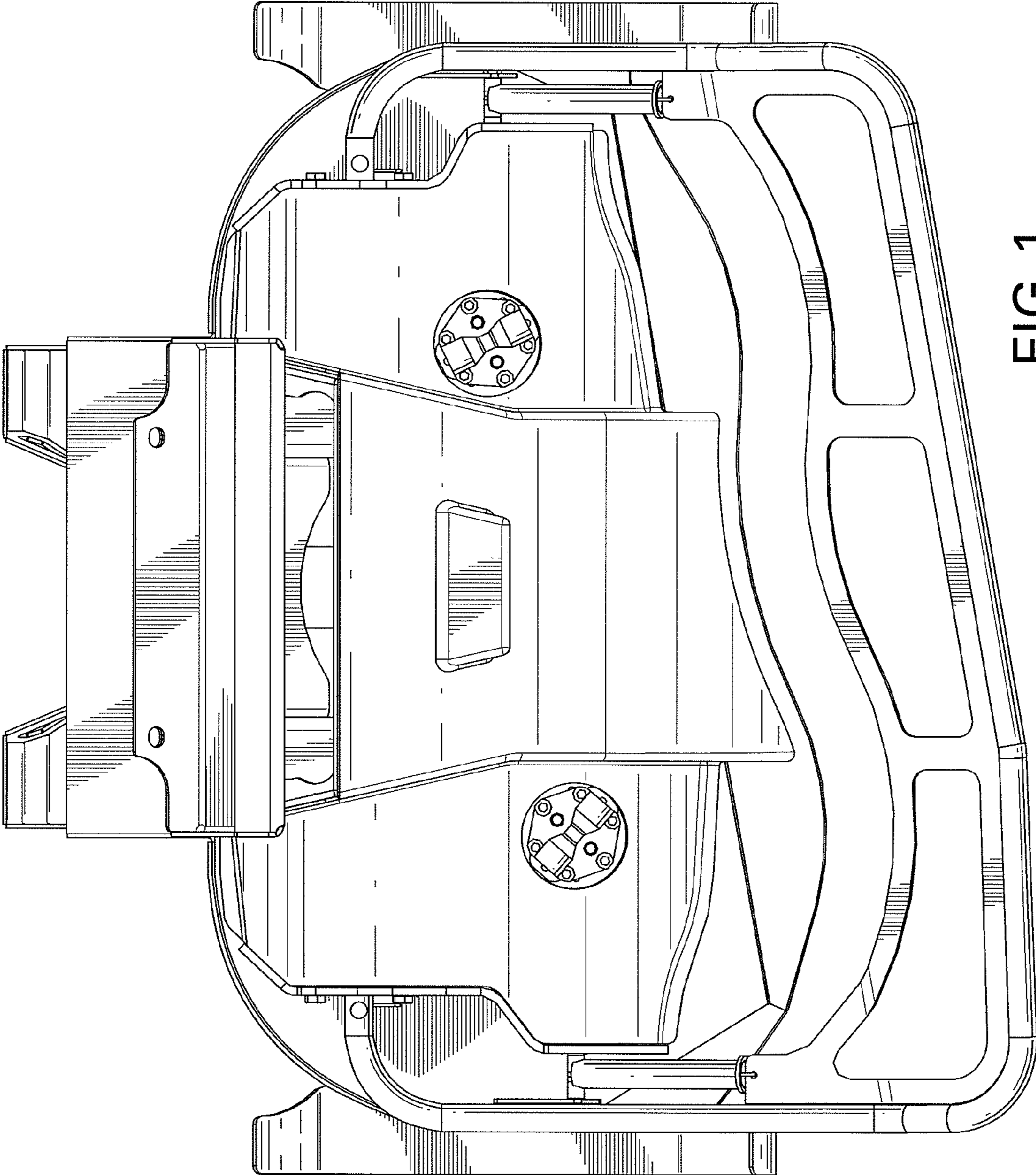


FIG.1

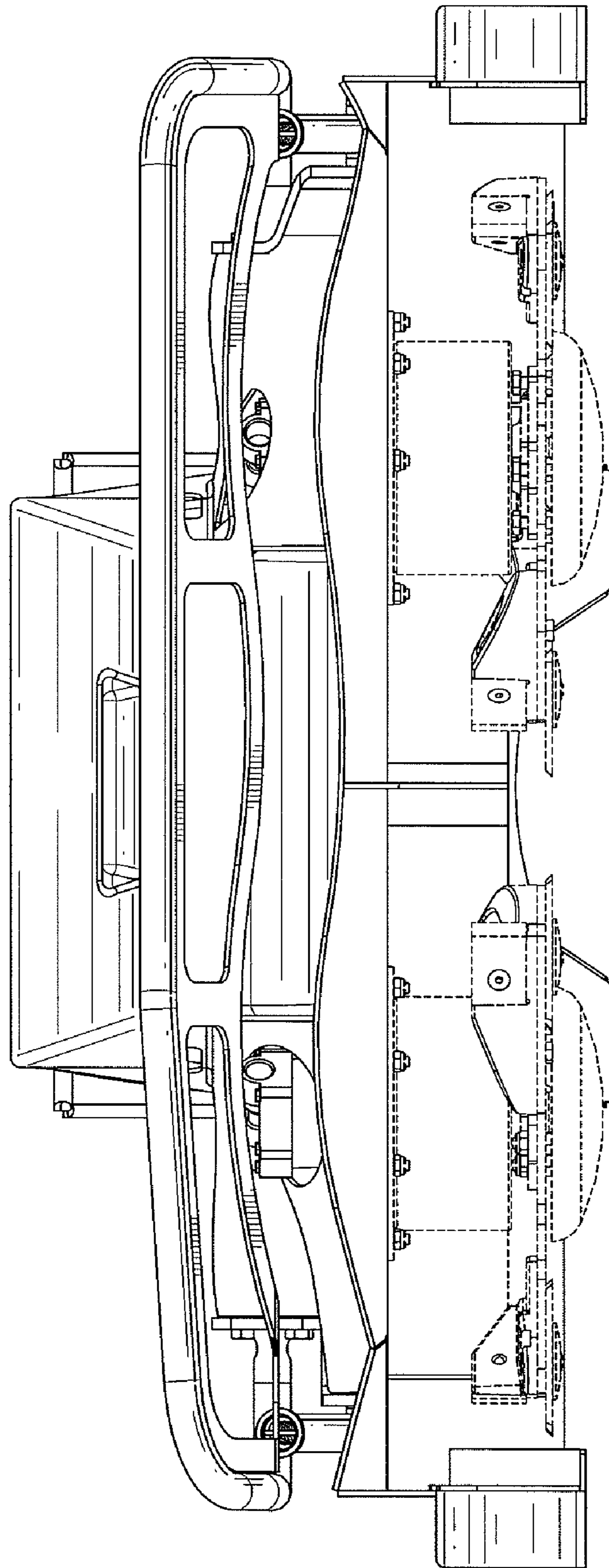


FIG. 2

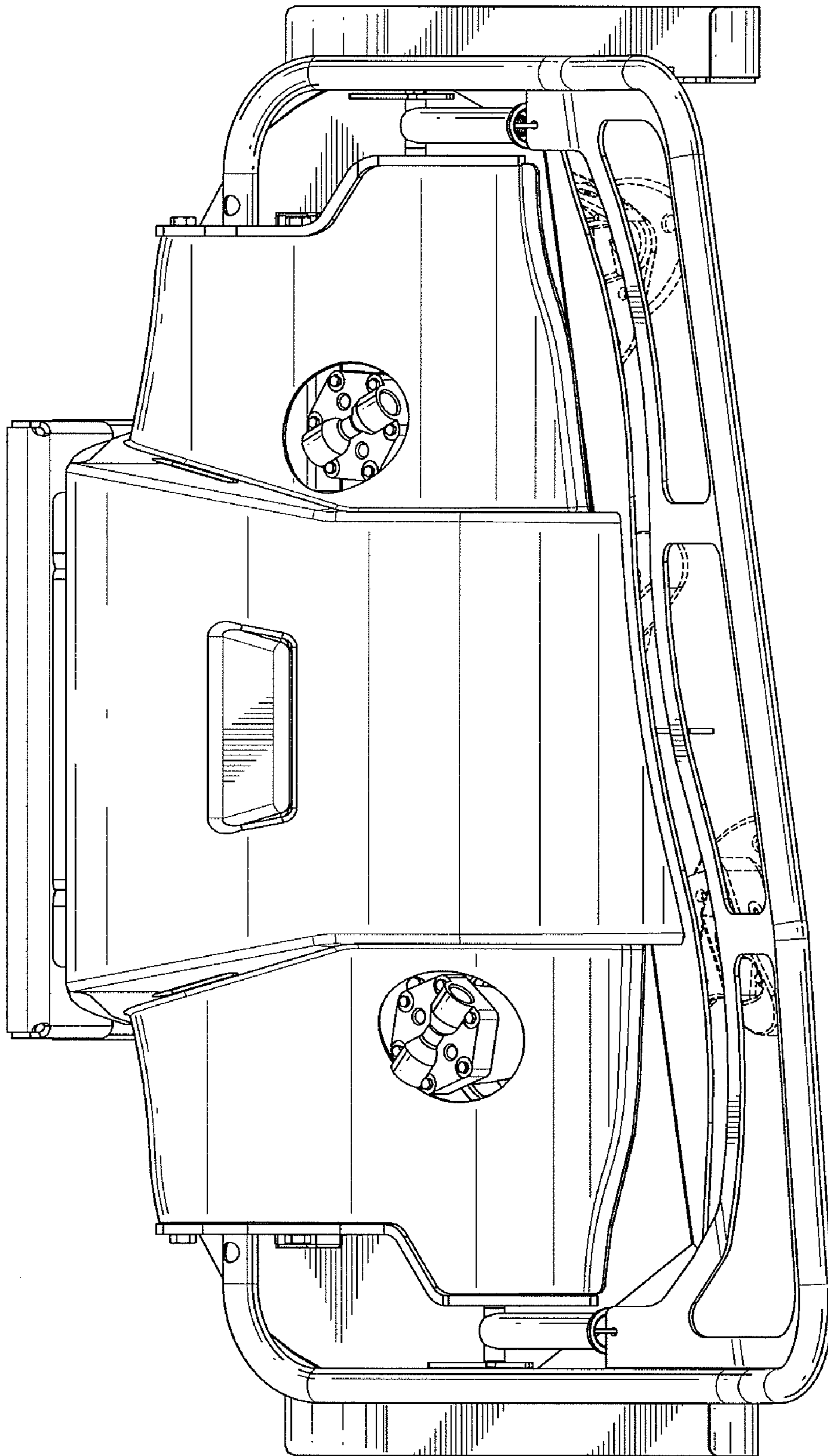


FIG. 3

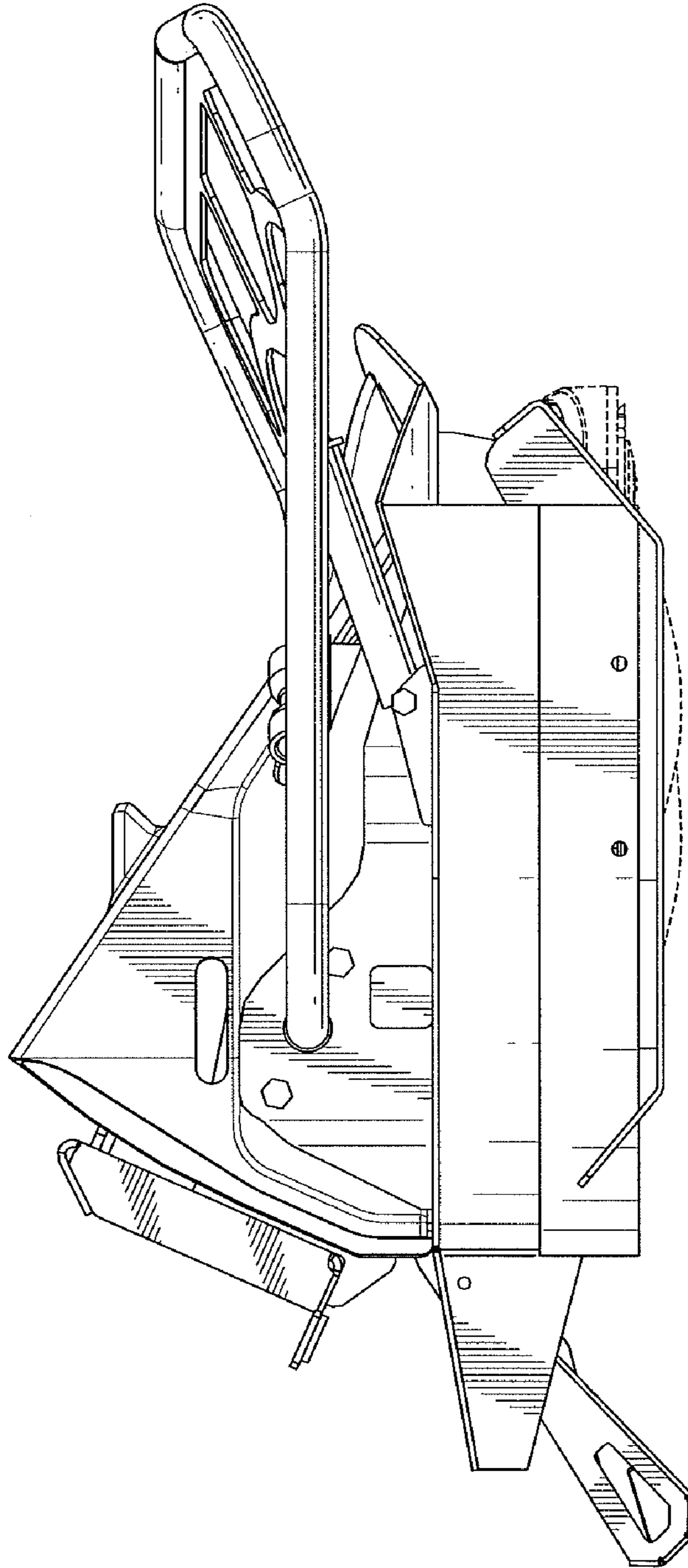


FIG. 4

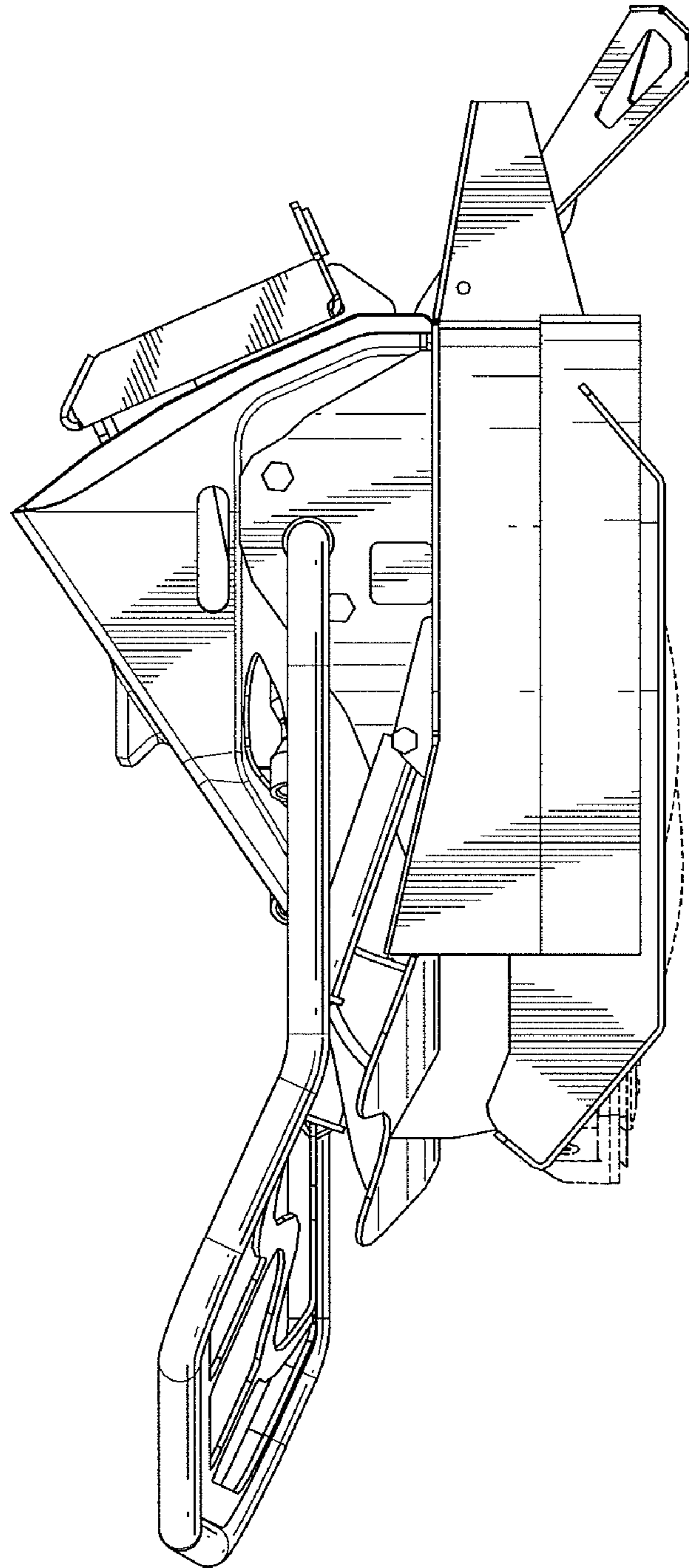


FIG. 5

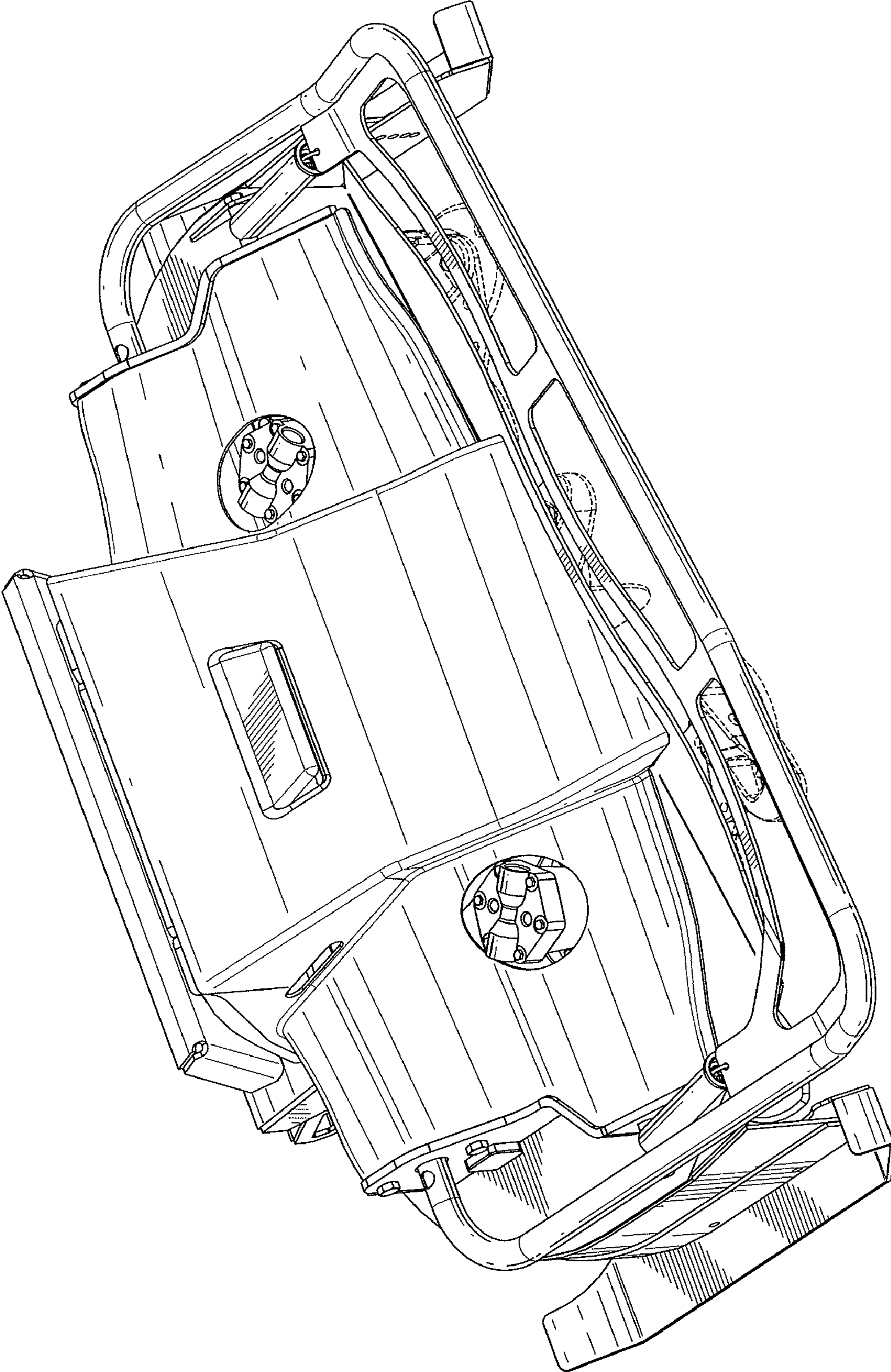


FIG. 6

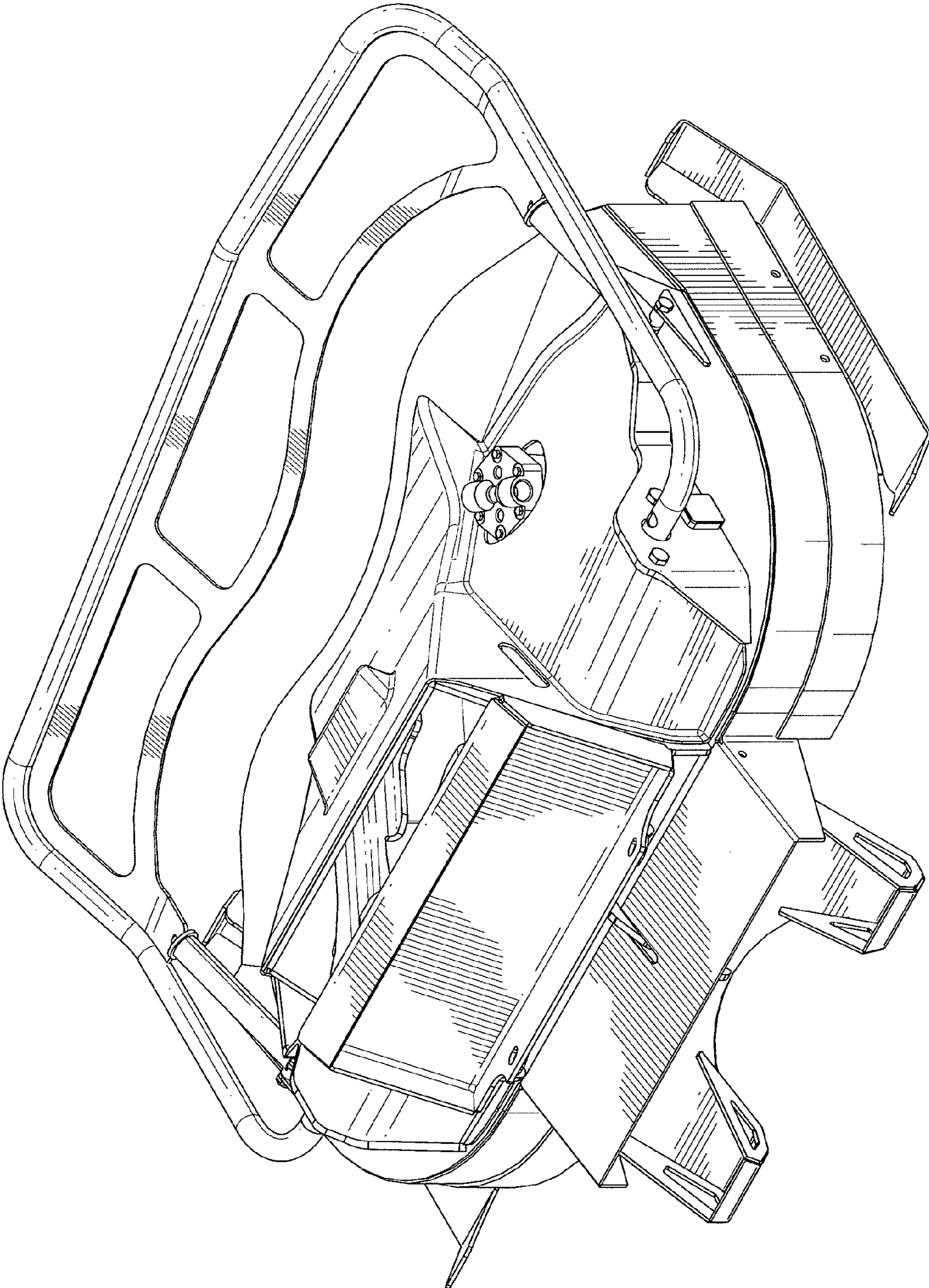


FIG. 7

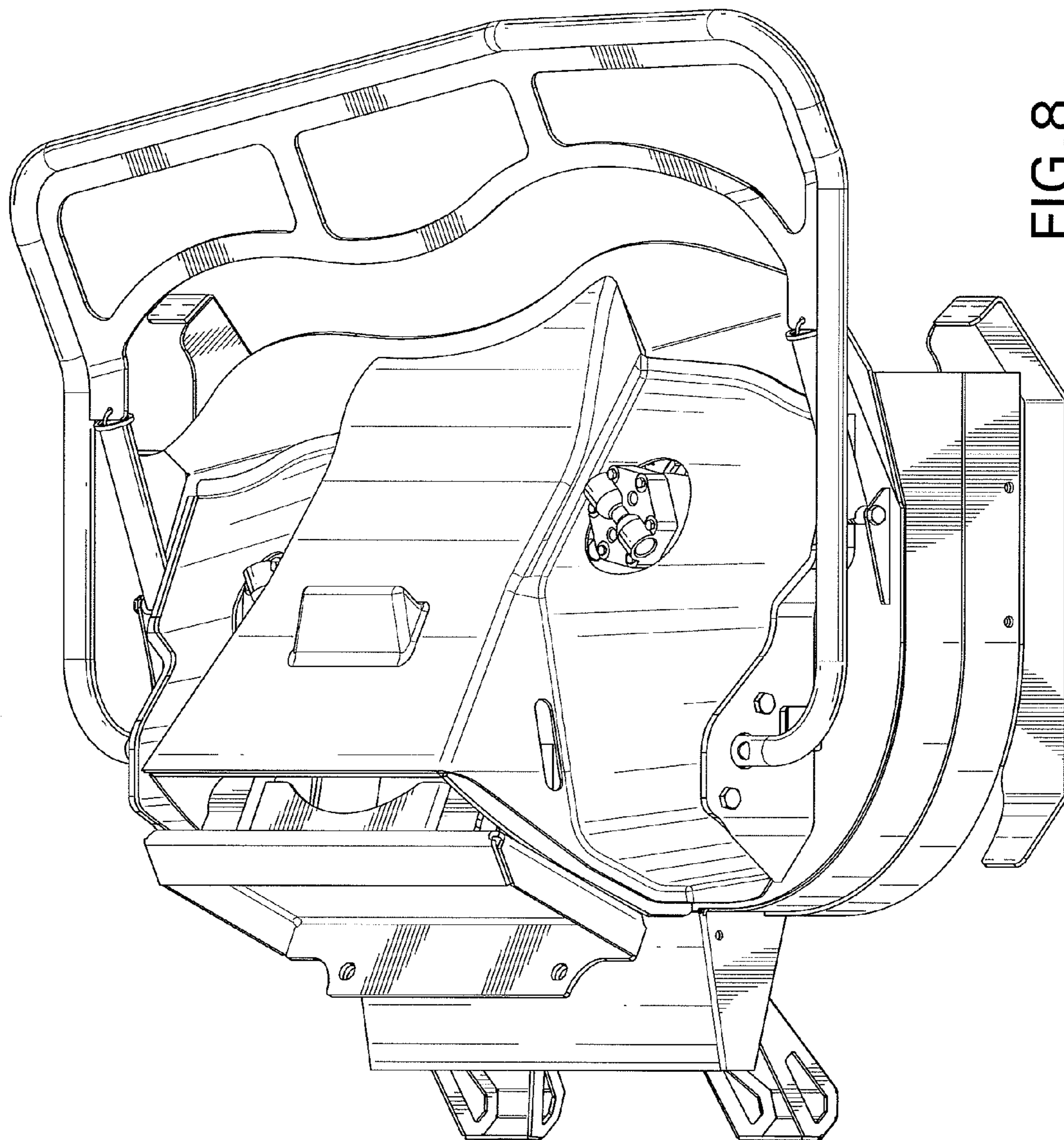


FIG. 8

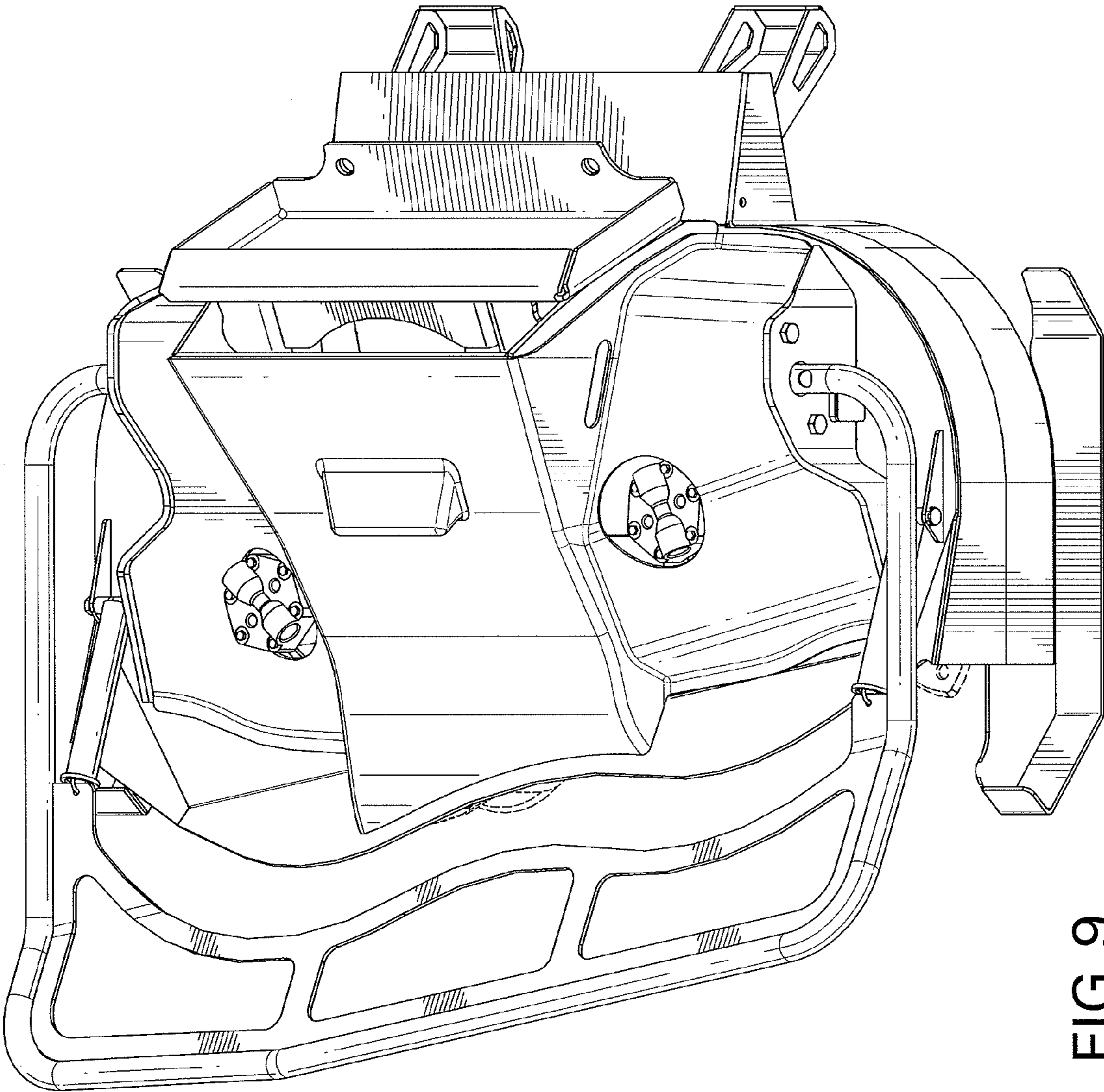


FIG. 9

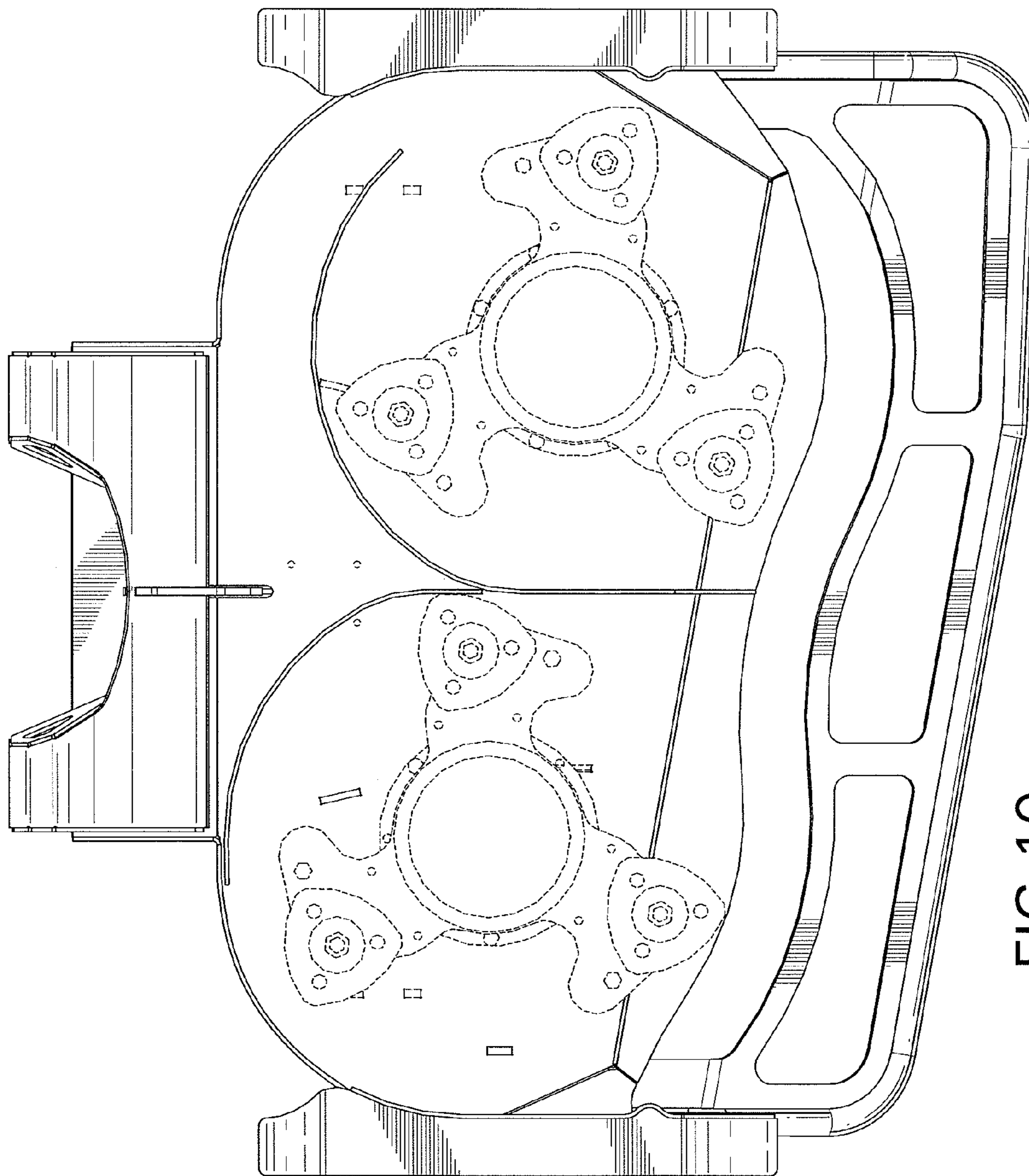


FIG. 10

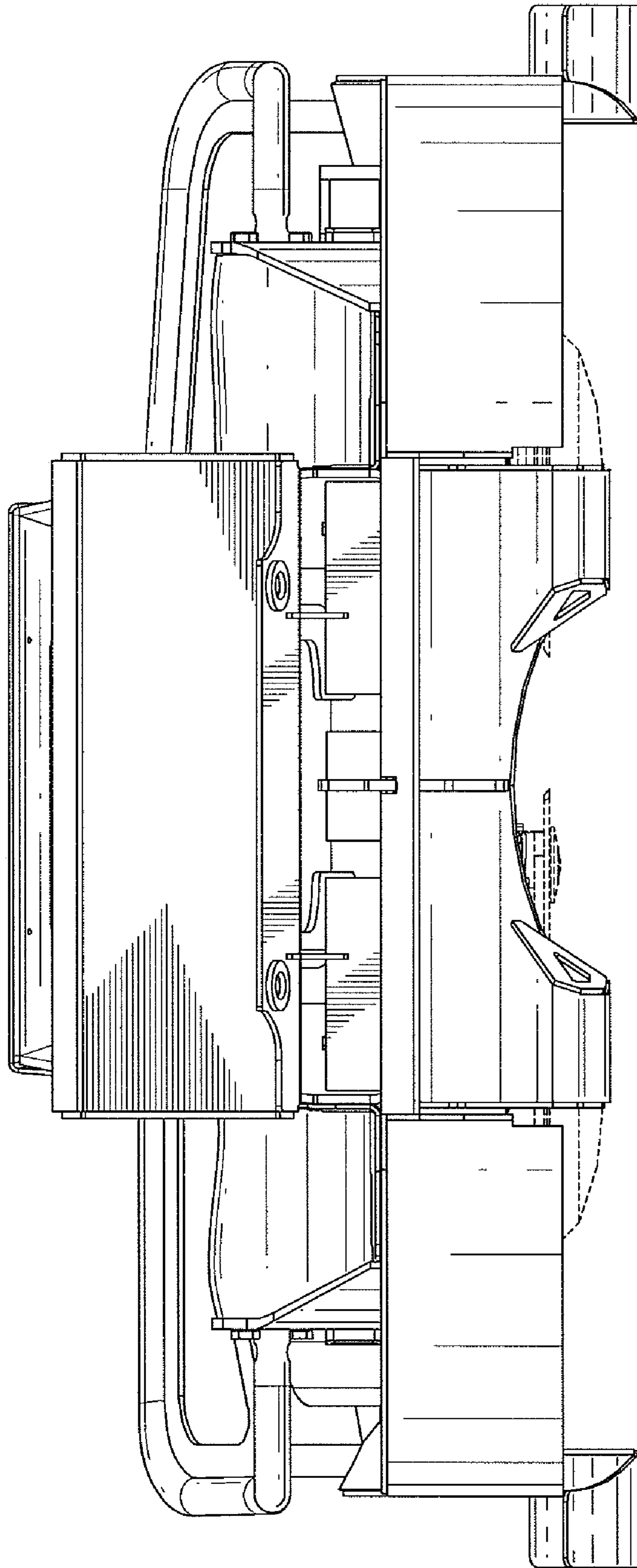


FIG. 11