



US00D581953S

(12) **United States Design Patent**  
**Matsumoto et al.**

(10) **Patent No.:** **US D581,953 S**  
(45) **Date of Patent:** **\*\* Dec. 2, 2008**

(54) **TRACTOR**

(75) Inventors: **Kunihiko Matsumoto**, Osaka (JP);  
**Toshikazu Matsubayashi**, Osaka (JP);  
**Naoki Yamamoto**, Osaka (JP); **Junko Shibaoka**, Osaka (JP)

(73) Assignee: **Yanmar Co., Ltd.**, Osaka (JP)

(\*\*) Term: **14 Years**

(21) Appl. No.: **29/303,637**

(22) Filed: **Feb. 13, 2008**

(51) **LOC (8) Cl.** ..... **12-09**

(52) **U.S. Cl.** ..... **D15/23; D15/15**

(58) **Field of Classification Search** ..... D15/10,  
D15/11, 14-17, 22-26, 30, 31, 33, 28; 180/89.1,  
180/89.12, 900, 19.3; 56/12.7, 15.8, 220,  
56/16.7, 202, 255, 297, 320.1, 320.2, 13.3;  
292/336.3; 296/1.02, 214, 192, 205; 16/112;  
D12/163, 173

See application file for complete search history.

(56) **References Cited**

**U.S. PATENT DOCUMENTS**

2,669,317 A	2/1954	Celien
2,976,947 A	3/1961	Cruthis et al.
D226,557 S	3/1973	Skyer et al.
D226,558 S	3/1973	Skyer et al.
D227,089 S	6/1973	Kamlukin et al.
D227,090 S	6/1973	Noma et al.
D247,624 S	3/1978	Emundts et al.
D256,017 S	7/1980	Emundts et al.
D302,276 S	7/1989	Briggs et al.
D305,236 S	12/1989	Funabashi et al.
D306,301 S	2/1990	Funabashi et al.
D310,374 S	9/1990	Westimayer et al.
D311,543 S	10/1990	Hardzinski et al.
D314,388 S	2/1991	Brewer et al.
5,018,591 A	5/1991	Price
D354,756 S	1/1995	Hinklin
D363,940 S	11/1995	Hinklin
D364,879 S	12/1995	Bastian et al.

D375,506 S	11/1996	Bastian et al.
D378,755 S	4/1997	Kato et al.
D381,341 S	7/1997	Goebert et al.
D383,470 S	9/1997	Westimayer et al.
D387,068 S	12/1997	Kato et al.
D391,581 S	3/1998	Kato et al.
5,782,312 A	7/1998	Murakawa
5,992,260 A	11/1999	Fujiki et al.
D421,266 S	2/2000	Hinklin
D422,606 S	4/2000	Katoh et al.

(Continued)

**FOREIGN PATENT DOCUMENTS**

EP 1873009 1/2008

(Continued)

**OTHER PUBLICATIONS**

U.S. Appl. No. 29/299,857, Matsumoto et al., Tractor, filed Jan. 4, 2008.

(Continued)

*Primary Examiner*—Mitchell I. Siegel  
*Assistant Examiner*—Mark A Goodwin  
(74) *Attorney, Agent, or Firm*—Sterne, Kessler, Goldstein & Fox P.L.L.C.

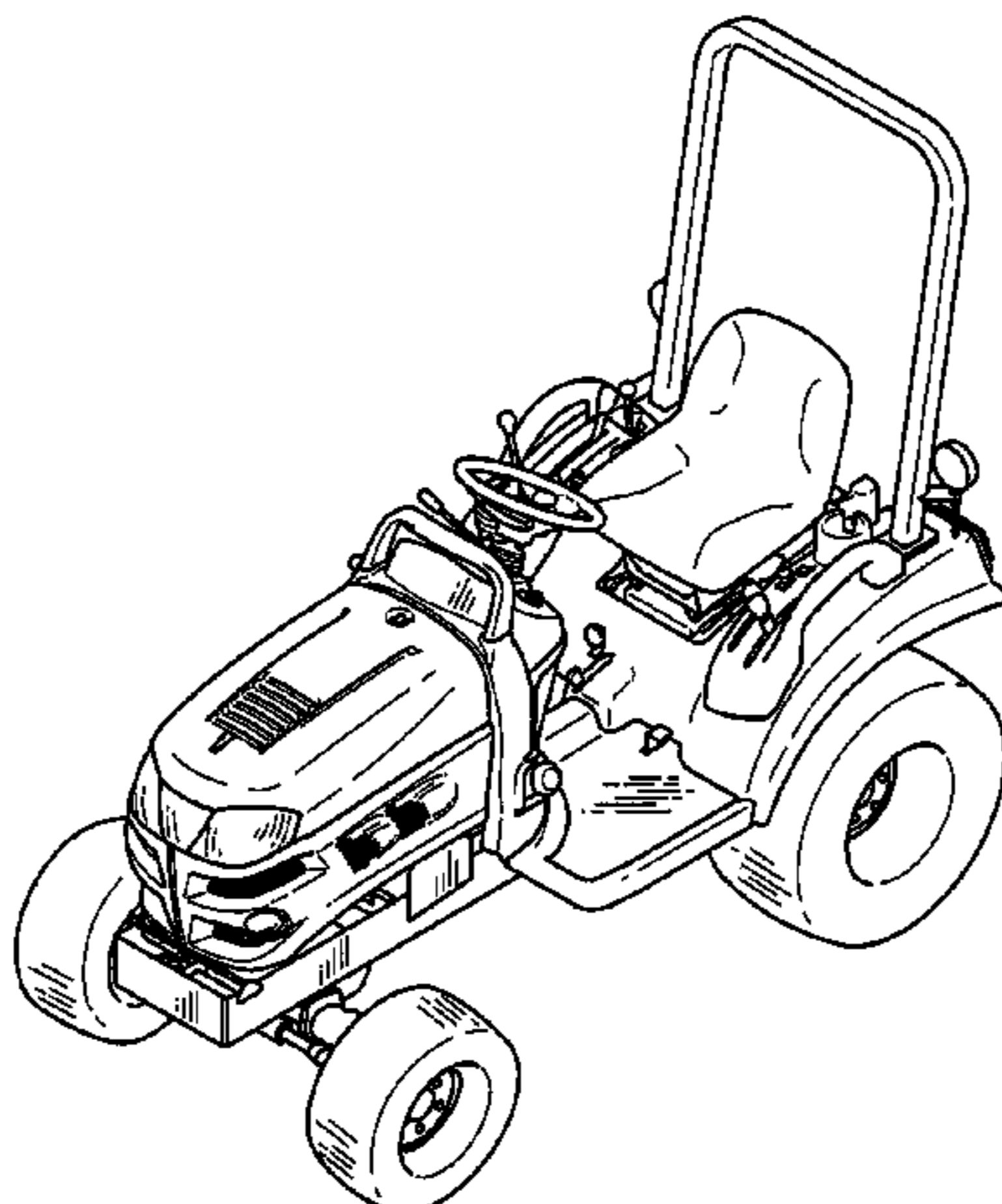
(57) **CLAIM**

The ornamental design for a tractor, substantially as shown and described.

**DESCRIPTION**

FIG. 1 is a perspective view of a tractor showing our new design;  
FIG. 2 is a front view thereof;  
FIG. 3 is a rear view thereof;  
FIG. 4 is a right side view thereof;  
FIG. 5 is a left side view thereof; and,  
FIG. 6 is a top plan view thereof.

**1 Claim, 6 Drawing Sheets**



# US D581,953 S

Page 2

## U.S. PATENT DOCUMENTS

D423,520 S 4/2000 Smith  
D427,205 S 6/2000 Shimizu  
6,082,477 A 7/2000 Murakawa  
D438,546 S 3/2001 Katoh et al.  
D440,234 S 4/2001 Katoh et al.  
D440,982 S 4/2001 Knight et al.  
D447,492 S 9/2001 Goebert et al.  
D448,037 S 9/2001 Westimayer et al.  
D453,776 S 2/2002 Williams  
D455,157 S 4/2002 Williams  
D455,764 S 4/2002 Williams  
D458,945 S 6/2002 Hohnl et al.  
D460,463 S 7/2002 Kubo et al.  
D473,570 S 4/2003 Kuwae  
D473,881 S 4/2003 Kuwae  
D473,882 S 4/2003 Kuwae  
D474,206 S 5/2003 Kuwae  
D483,043 S 12/2003 Akashima et al.  
D489,381 S 5/2004 Mistry et al.  
D497,370 S 10/2004 Katoh  
D498,245 S 11/2004 Kuwae et al.  
D499,748 S 12/2004 Komatsu et al.  
D501,487 S 2/2005 Katoh et al.  
6,889,782 B2 5/2005 Komatsu et al.  
6,913,103 B2 7/2005 Kitasaka et al.  
D513,268 S 12/2005 Wang et al.  
6,991,042 B2 1/2006 Ochi et al.  
D515,105 S 2/2006 Wang et al.  
D523,027 S 6/2006 Yamashita et al.

D527,742 S 9/2006 Kuwae  
D527,743 S 9/2006 Asada et al.  
D529,932 S 10/2006 Yamashita et al.  
D547,333 S 7/2007 Nishi et al.  
D550,251 S 9/2007 Matsumoto et al.  
D553,161 S 10/2007 Matsumoto  
D559,277 S 1/2008 Tsujita et al.  
D559,278 S 1/2008 Tsujita et al.  
2006/0066129 A1 3/2006 Roger  
2008/0084081 A1 4/2008 Shibaoka et al.  
2008/0092331 A1 4/2008 Matsumoto et al.  
2008/0106112 A1 5/2008 Shibaoka et al.

## FOREIGN PATENT DOCUMENTS

JP 57-48661 10/1982  
JP 1-7635 3/1989  
JP 6-11897 3/1994  
JP 2000-219065 8/2000

## OTHER PUBLICATIONS

U.S. Appl. No. 29/299,859, Matsumoto et al., Assist Grip for Agricultural Vehicle, filed Jan. 4, 2008.  
U.S. Appl. No. 29/299,860, Matsumoto et al., Tractor, filed Jan. 4, 2008.  
U.S. Appl. No. 29/303,469, Matsumoto et al., Bonnet for Agricultural Working Machine, filed Feb. 8, 2008.  
U.S. Appl. No. 11/816,700, Shibaoka et al., Tractor, filed Dec. 25, 2006.  
U.S. Appl. No. 11/877,445, Shibaoka et al., Tractor, filed Oct. 23, 2007.

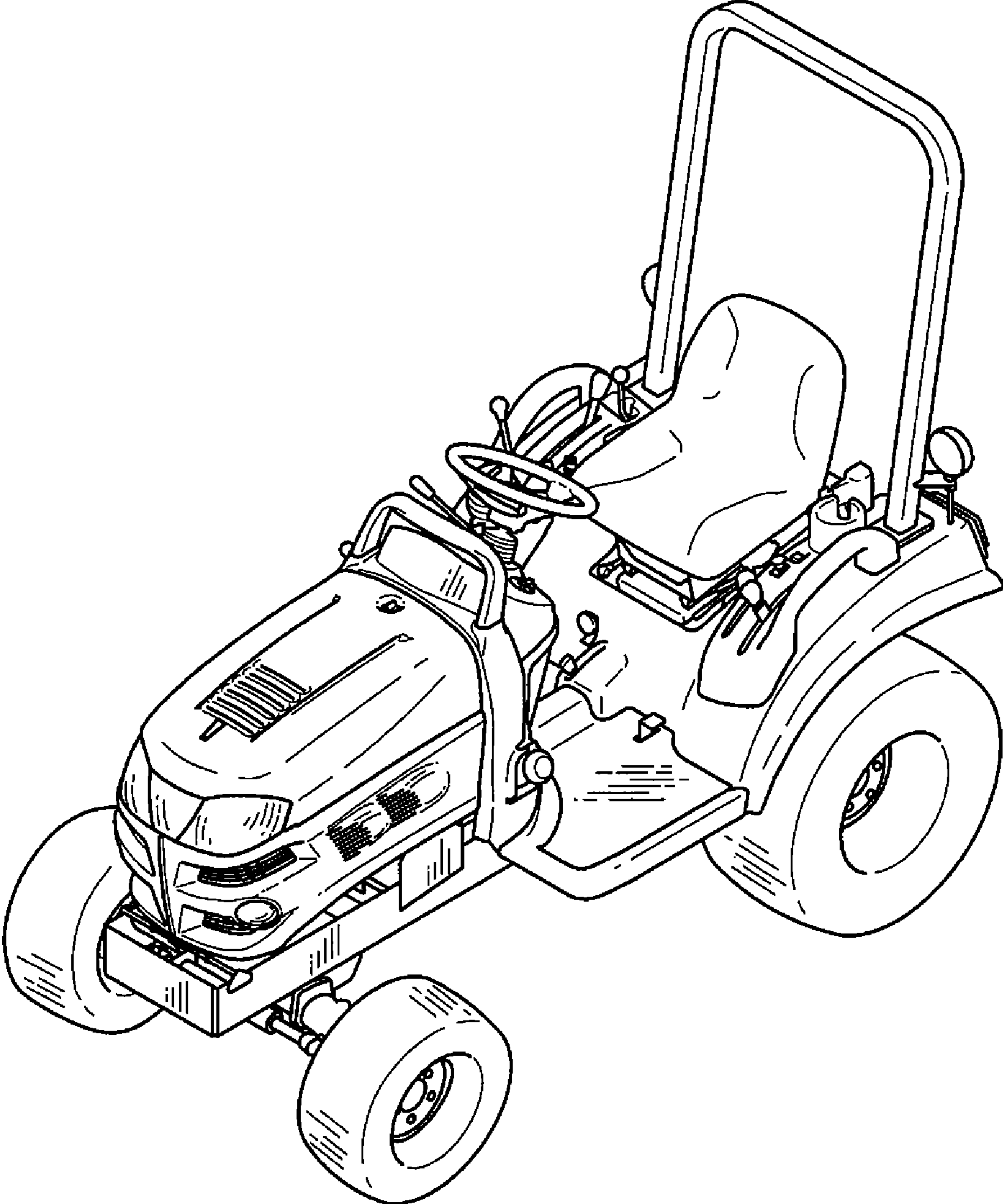


FIG.1

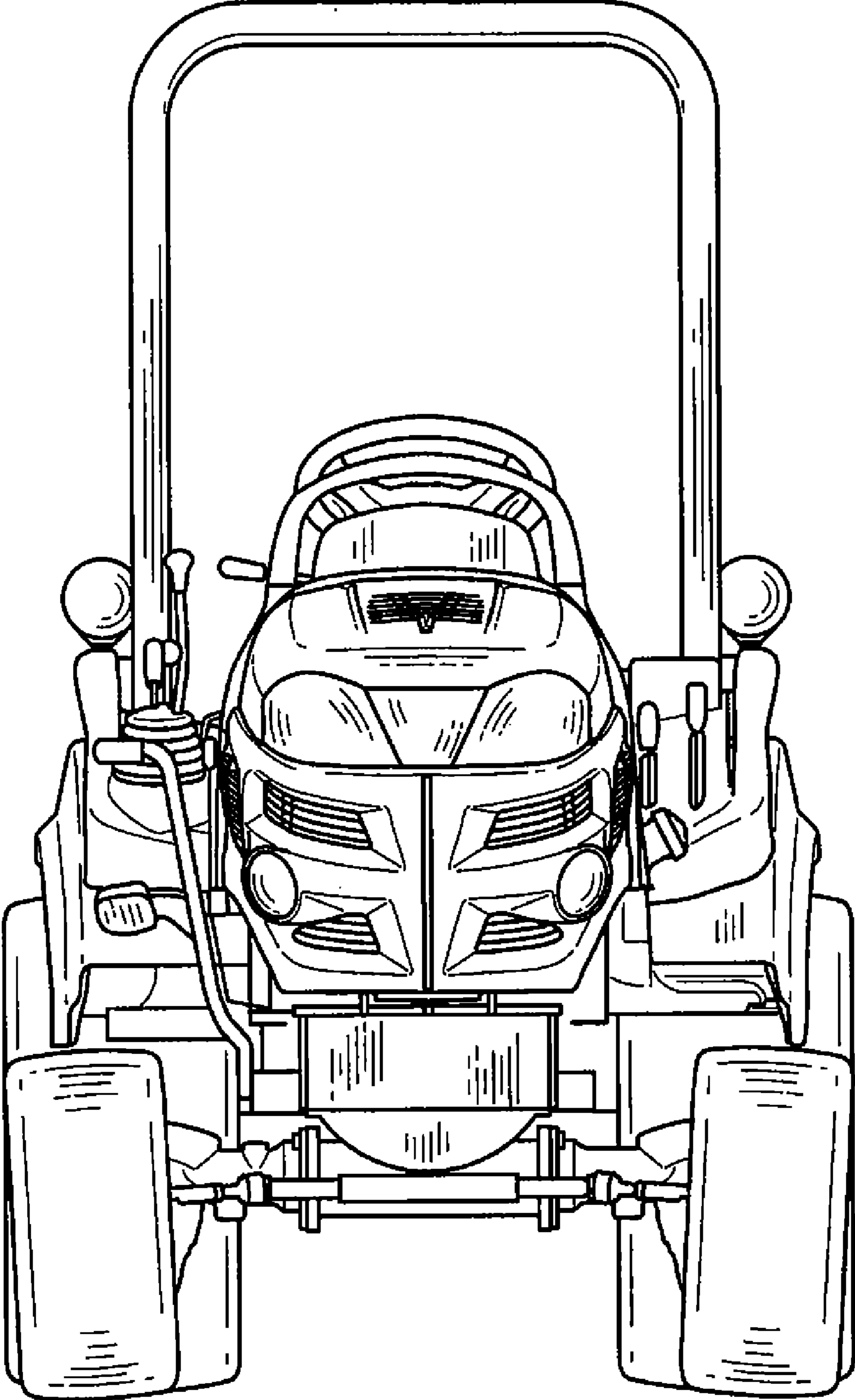


FIG.2



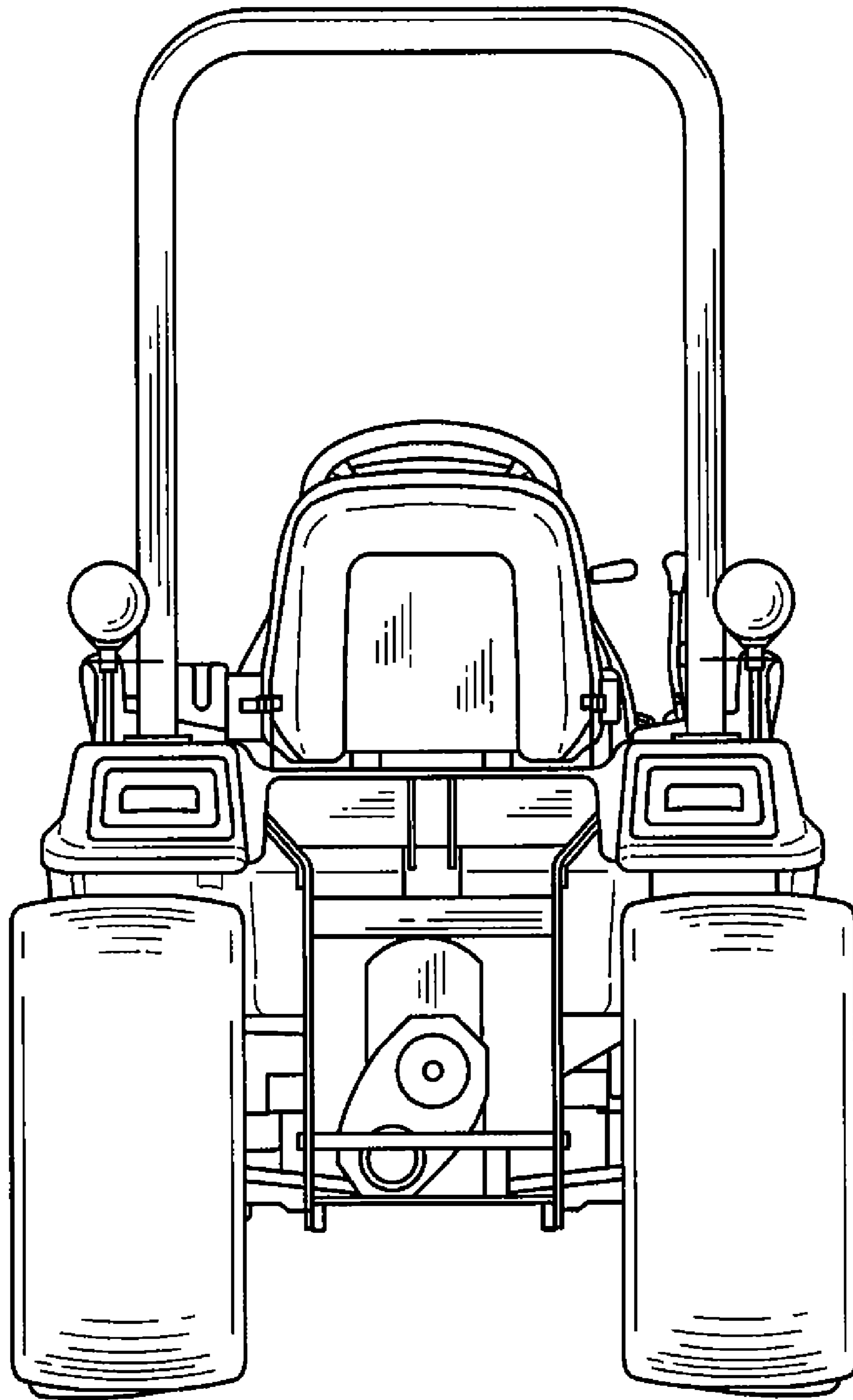


FIG.3

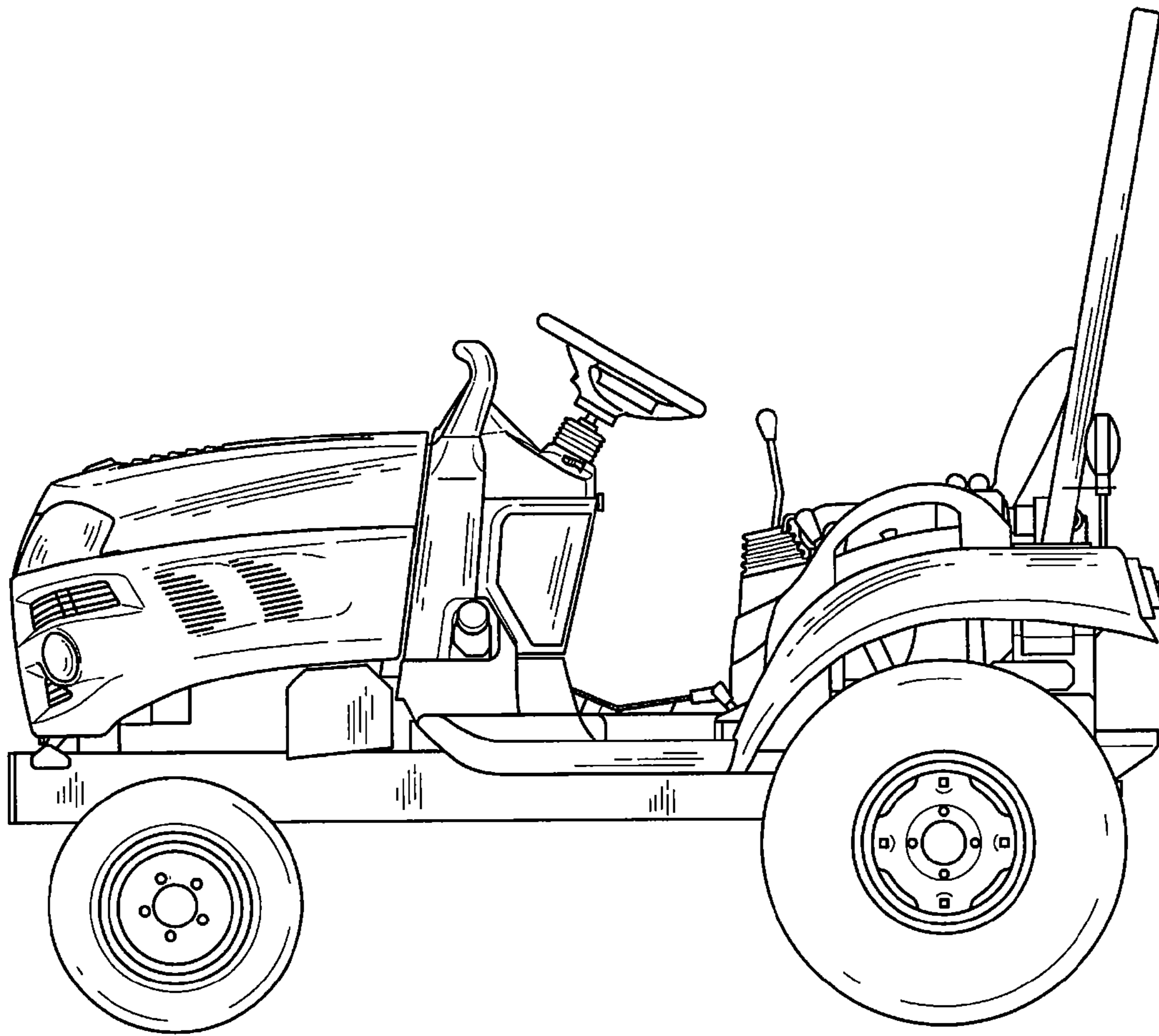


FIG.4

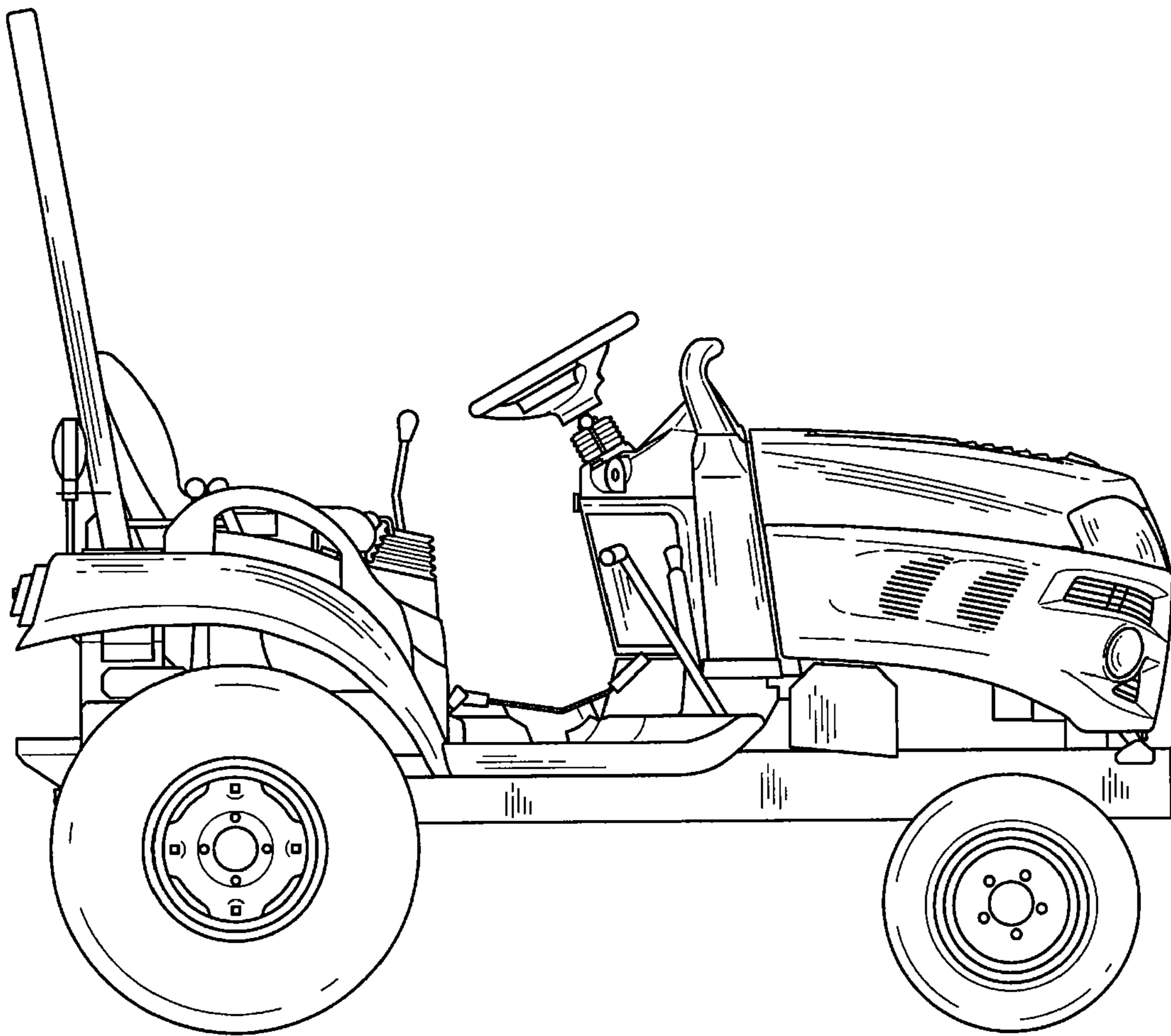


FIG.5

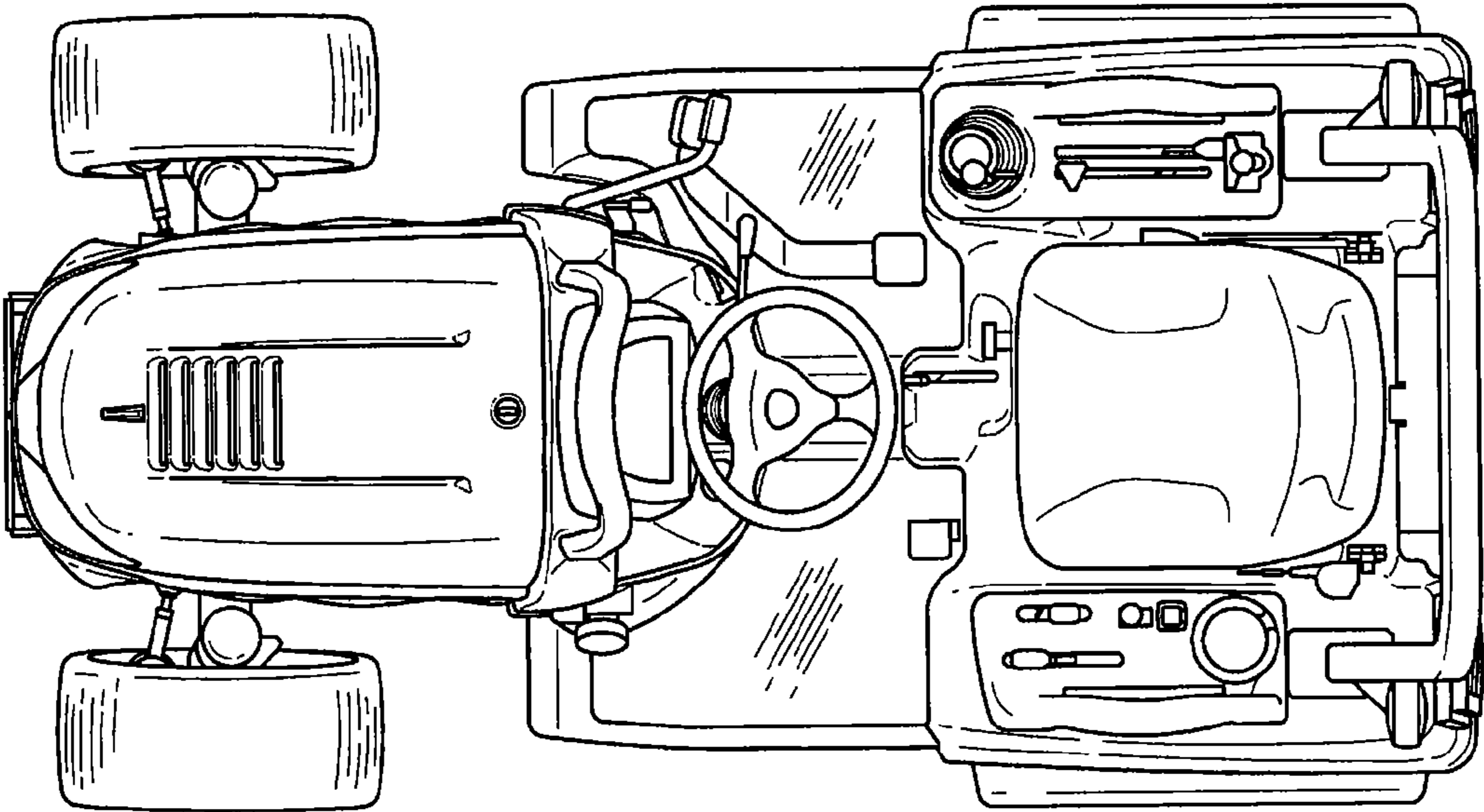


FIG.6



UNITED STATES PATENT AND TRADEMARK OFFICE  
**CERTIFICATE OF CORRECTION**

PATENT NO. : Des. 581,953 S  
APPLICATION NO. : 29/303637  
DATED : December 2, 2008  
INVENTOR(S) : Matsumoto et al.

Page 1 of 1

It is certified that error appears in the above-identified patent and that said Letters Patent is hereby corrected as shown below:

On the Title Page, please insert

Item --(30) Foreign Application Priority Data  
October 19, 2007 (JP) 2007-28829--.

Signed and Sealed this

Twenty-fourth Day of February, 2009



JOHN DOLL  
*Acting Director of the United States Patent and Trademark Office*