



US00D581936S

(12) **United States Design Patent**
Hidaka et al.

(10) **Patent No.:** **US D581,936 S**

(45) **Date of Patent:** **** Dec. 2, 2008**

(54) **FACSIMILE**

(75) Inventors: **Masataka Hidaka**, Kadoma (JP);
Junichi Ogawa, Kadoma (JP)

(73) Assignee: **Panasonic Corporation**, Osaka (JP)

(**) Term: **14 Years**

(21) Appl. No.: **29/304,213**

(22) Filed: **Feb. 27, 2008**

(51) **LOC (8) Cl.** **16-03**

(52) **U.S. Cl.** **D14/469**

(58) **Field of Classification Search** D14/463-470;
D18/36-41; 358/400-404

See application file for complete search history.

(56) **References Cited**

U.S. PATENT DOCUMENTS

D322,803 S	12/1991	Irie et al.	
D355,209 S	2/1995	Ito	
D355,905 S	2/1995	Takeuchi	
D355,927 S	2/1995	Chiba	
D378,377 S	3/1997	Komatsu	
D384,097 S	9/1997	Ito	
D385,267 S	10/1997	Omino	
D406,127 S	2/1999	Ishio	
D408,443 S *	4/1999	Sasaki	D18/36
D425,931 S *	5/2000	Brown et al.	D18/44
D439,605 S *	3/2001	Ichi et al.	D18/40
D528,155 S	9/2006	Katayama	
D529,077 S *	9/2006	Takahashi et al.	D18/49
D535,687 S	1/2007	Tomono et al.	

D537,473 S *	2/2007	Takahashi et al.	D18/44
D537,474 S *	2/2007	Takahashi et al.	D18/44
D556,254 S	11/2007	Yamaguchi	
D556,256 S	11/2007	Matsumoto	
D556,257 S	11/2007	Yamaguchi	
D557,736 S	12/2007	Horiguchi et al.	
D559,892 S *	1/2008	Horiguchi et al.	D18/39
D574,425 S *	8/2008	Hidaka	D18/40

* cited by examiner

Primary Examiner—Stella M Reid

Assistant Examiner—Keli L Acker

(74) *Attorney, Agent, or Firm*—Brinks Hofer Gilson & Lione

(57) **CLAIM**

We claim the ornamental design for a facsimile, as shown and described.

DESCRIPTION

FIG. 1 is a top perspective view of a facsimile of the present invention;

FIG. 2 is a front view thereof;

FIG. 3 is a rear view thereof;

FIG. 4 is a first side view thereof;

FIG. 5 is a second side view thereof;

FIG. 6 is a top view thereof; and,

FIG. 7 is a bottom view thereof.

The broken line showing of facsimile is included for the purpose of illustrating environment and forms no part of the claimed design.

1 Claim, 7 Drawing Sheets

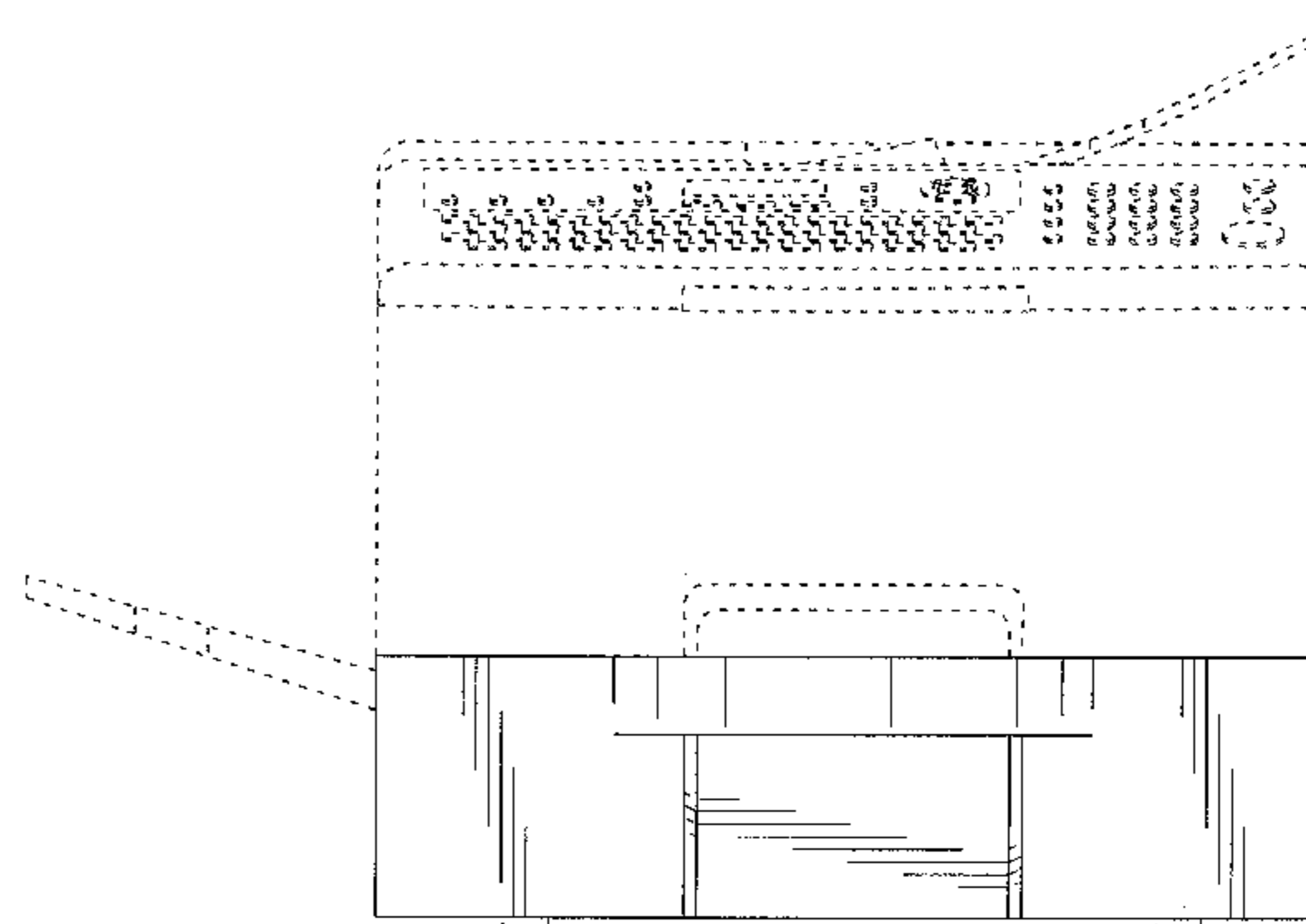
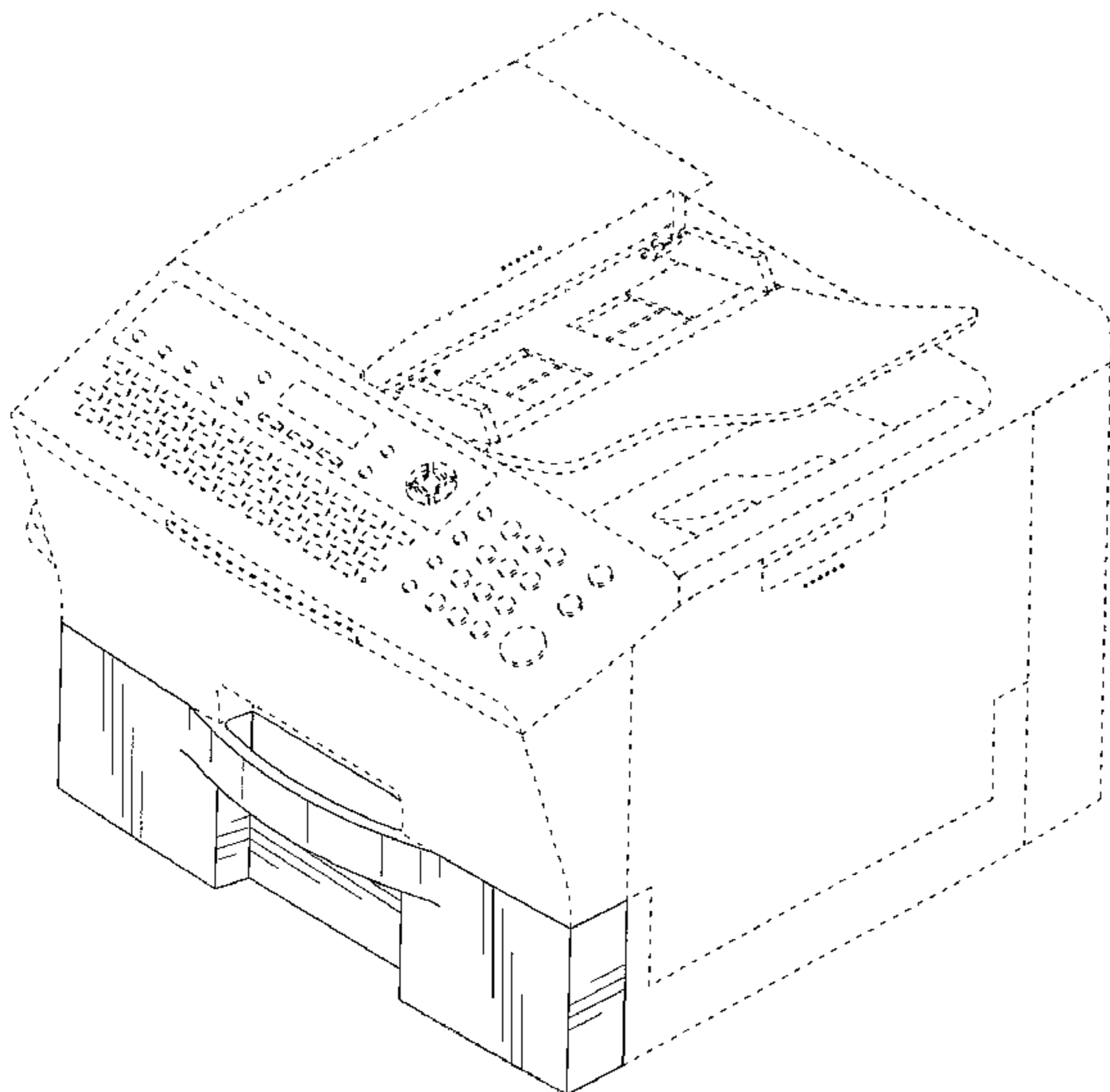


FIG.1

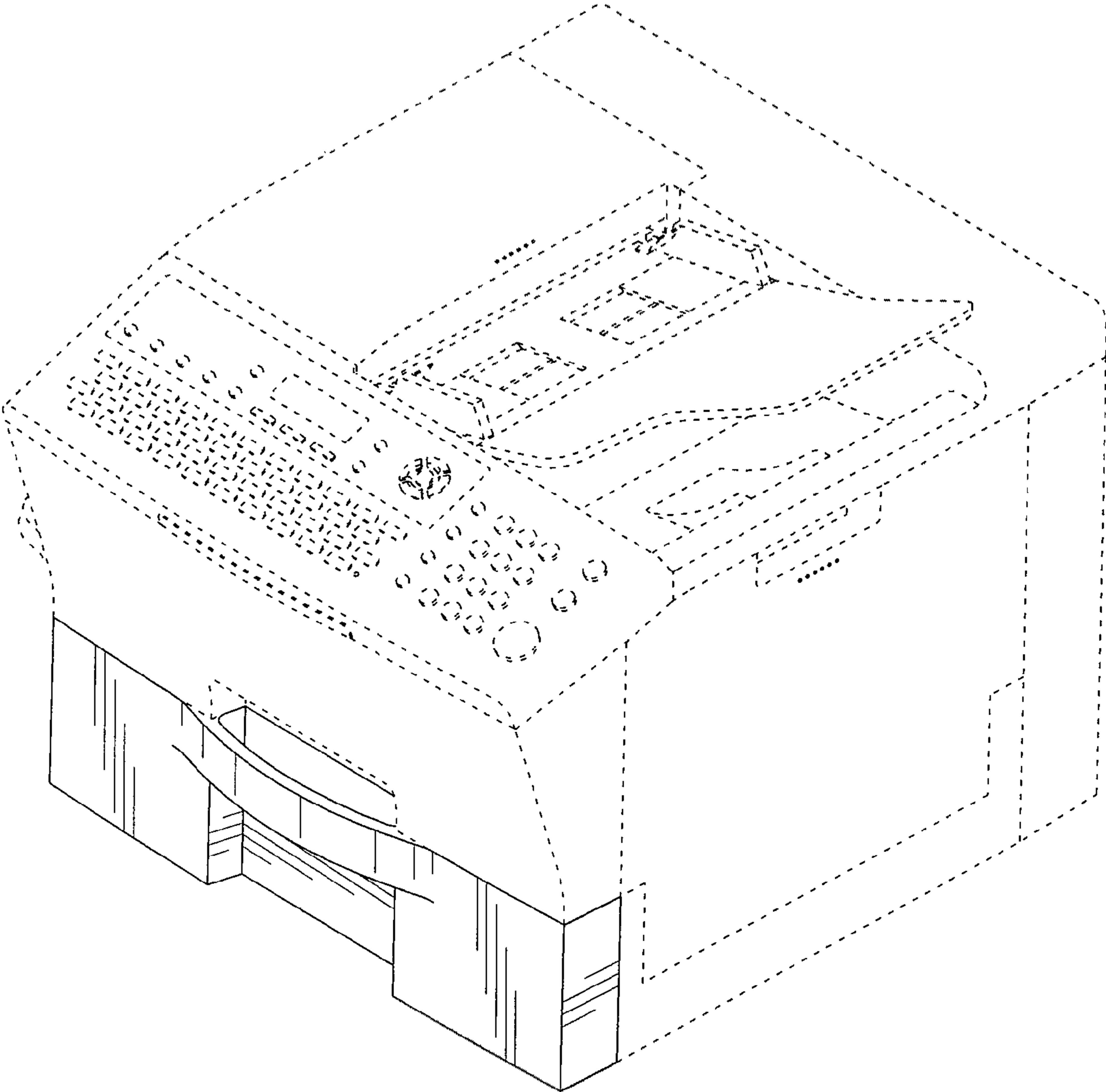


FIG.2

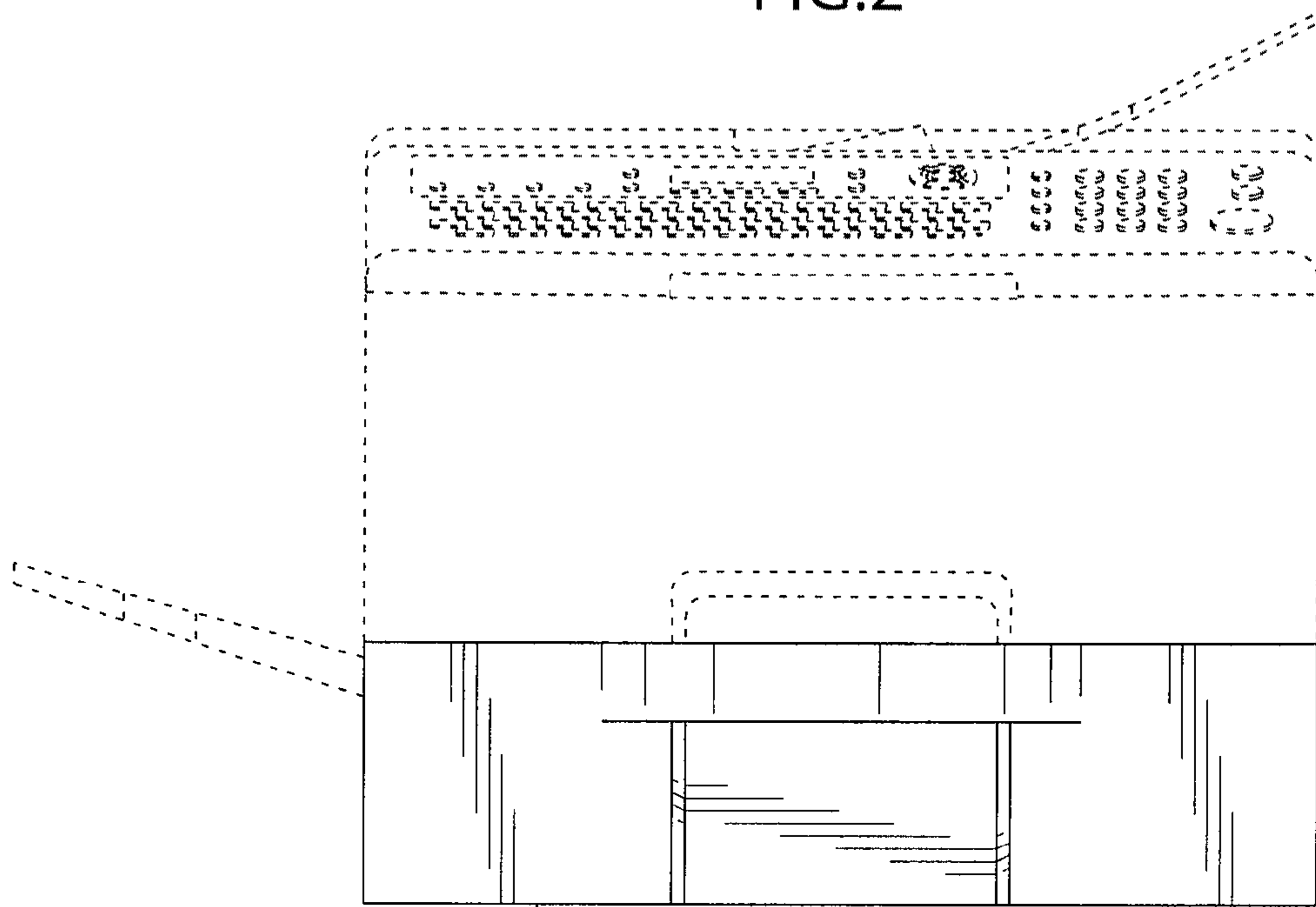


FIG.3

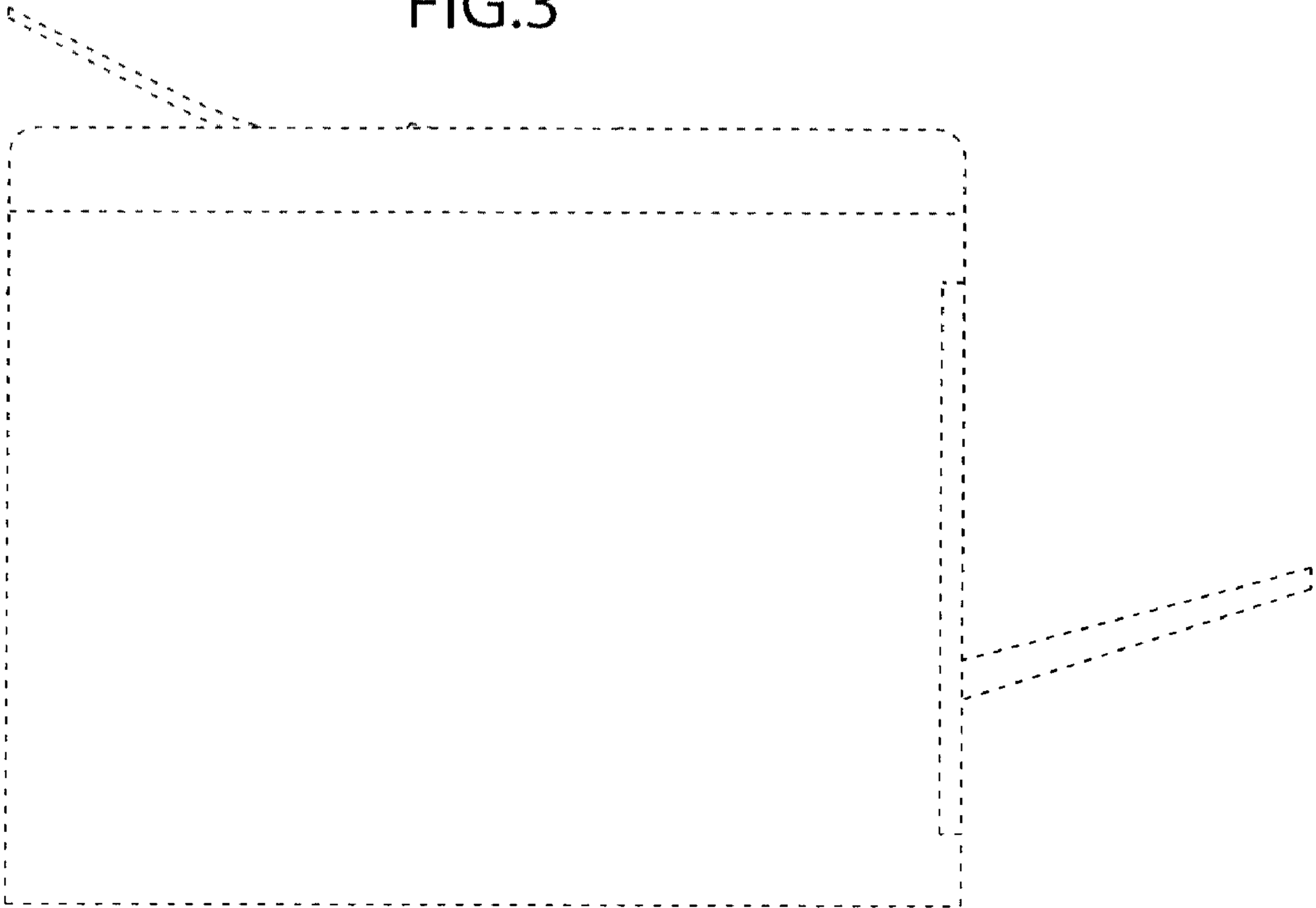


FIG.4

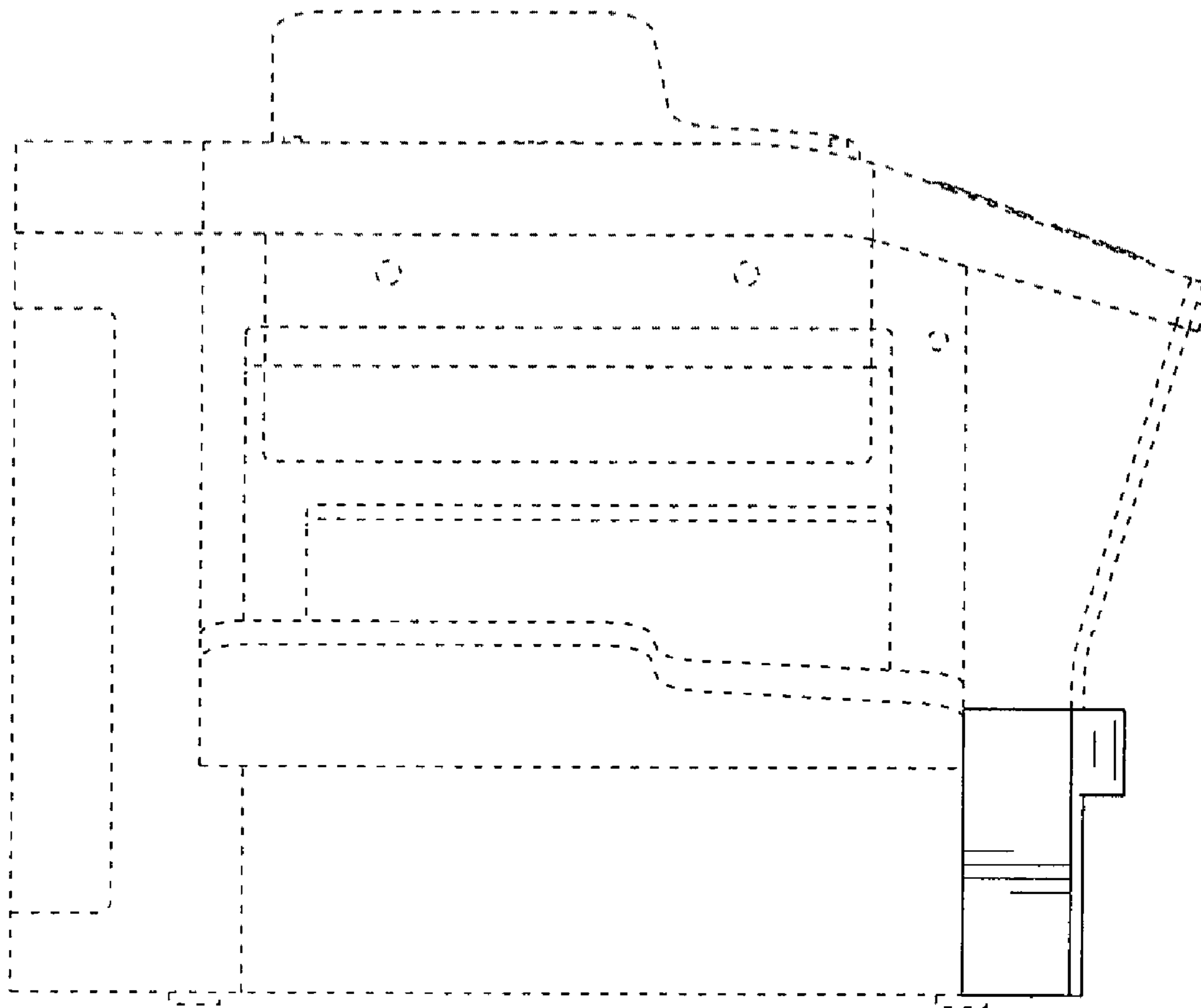


FIG.5

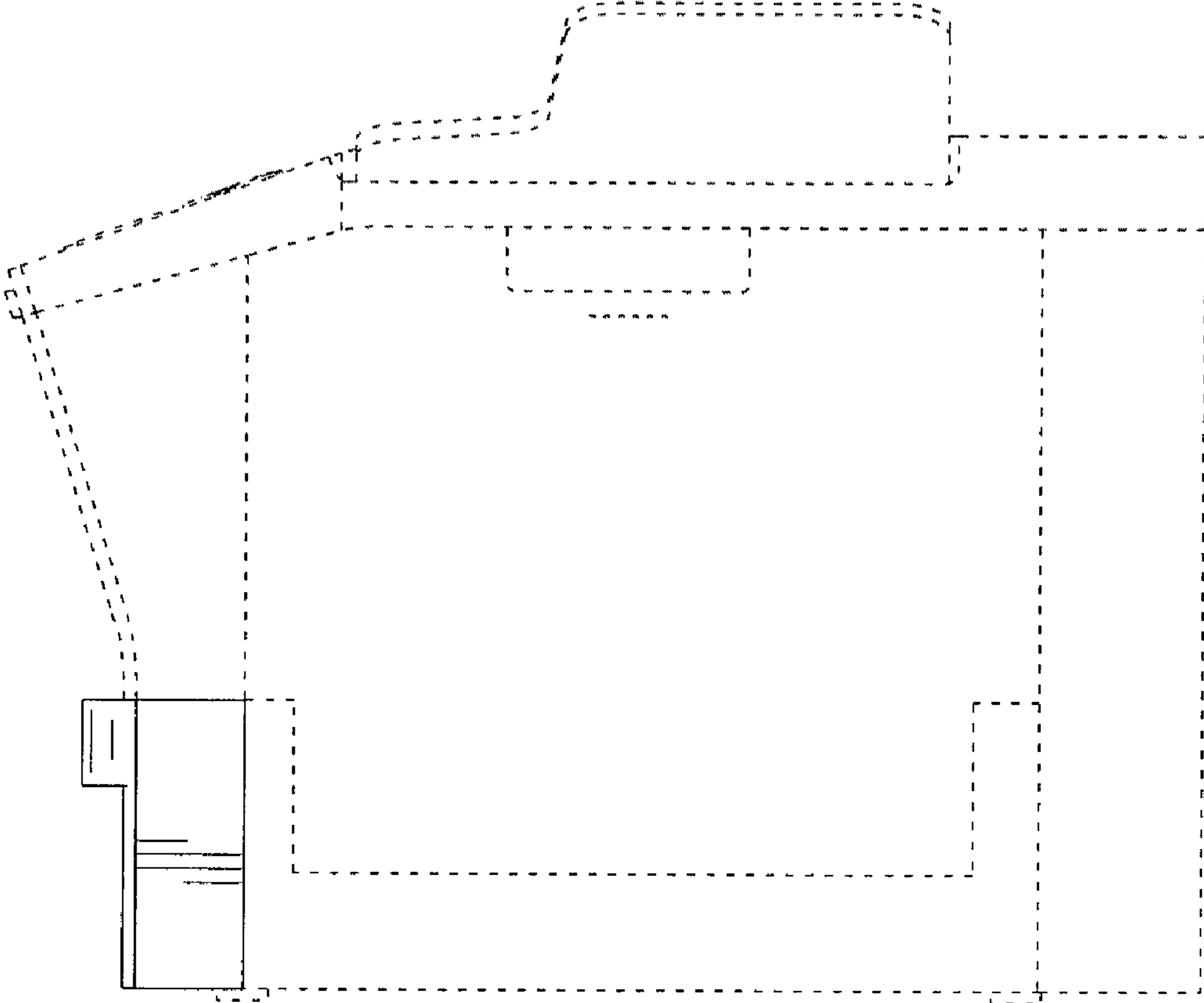


FIG.6

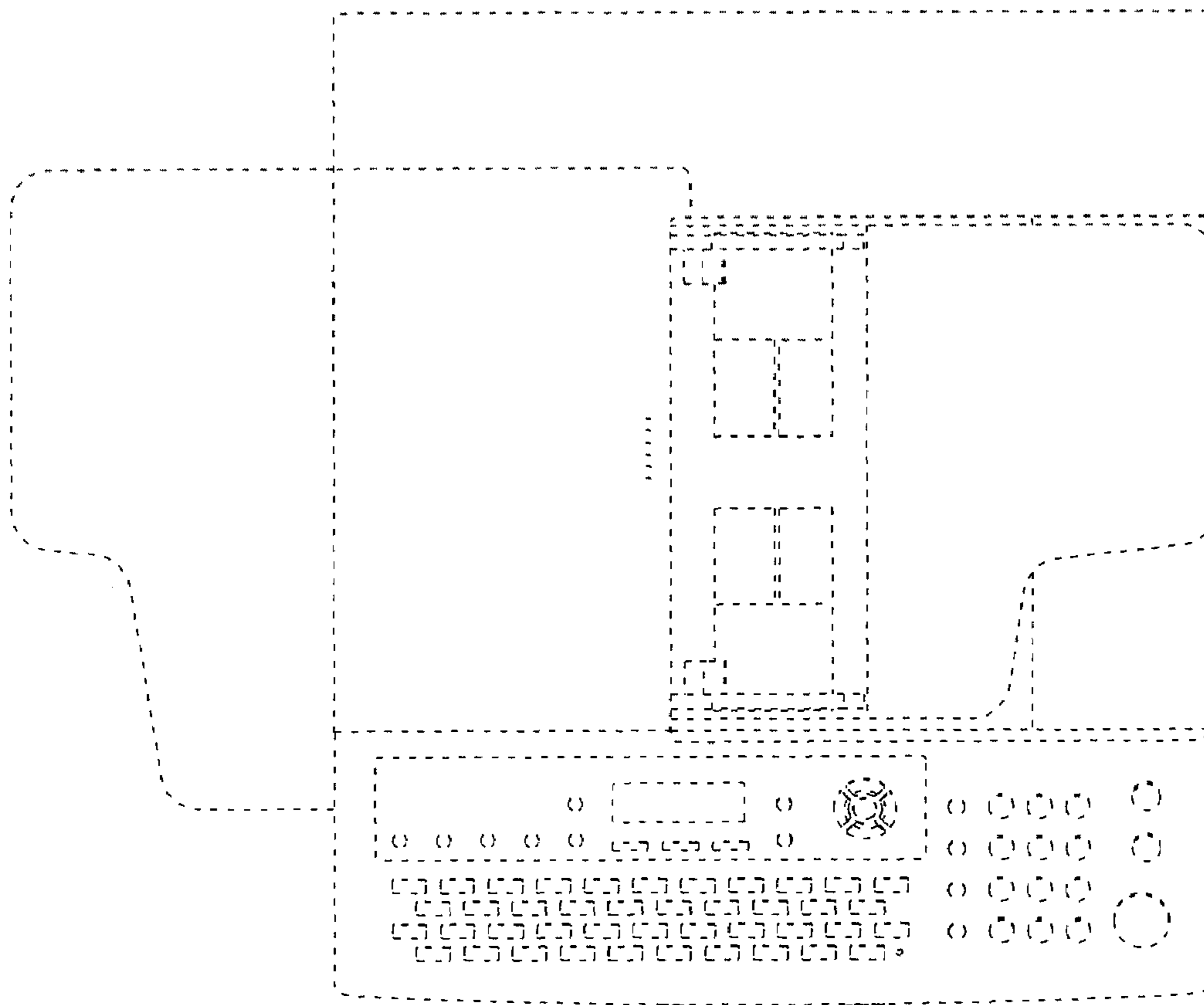


FIG.7

