



US00D581934S

(12) **United States Design Patent**
Kruse et al.

(10) **Patent No.:** **US D581,934 S**
(45) **Date of Patent:** **** Dec. 2, 2008**

(54) **SIGHT SHIELD FOR ATM KEYPAD OR THE LIKE**

(75) Inventors: **Bernd Kruse**, Altenbeken (DE); **Udo Hesselbach**, Buren (DE)

(73) Assignee: **Wincor Nixdorf International GmbH** (DE)

(**) Term: **14 Years**

(21) Appl. No.: **29/266,658**

(22) Filed: **Sep. 26, 2006**

(51) **LOC (8) Cl.** **14-02**

(52) **U.S. Cl.** **D14/454; D99/43**

(58) **Field of Classification Search** D14/454, D14/455, 388, 400-10, 418, 432, 439, 440, D14/448, 449, 450, 457, 458, 299, 250; 345/163-6; D3/201, 273, 294, 300, 315, 318, 328, 269, D3/271.2, 218; 150/165; 206/320, 305; D18/56; D6/407, 632, 633, 634; 248/309.1, 248/176.1; 200/302.1, 333, 6 R; 135/124; D99/43; 359/601, 610; 348/842; 902/31
See application file for complete search history.

(56) **References Cited**

U.S. PATENT DOCUMENTS

D342,944 S *	1/1994	Rhodes	D14/455
5,905,546 A *	5/1999	Giulie et al.	348/842
D411,753 S *	6/1999	Jobin	D99/43
D453,519 S *	2/2002	Schmidt	D14/449
D453,764 S *	2/2002	Linyear et al.	D14/455

6,356,439 B1 *	3/2002	Schmidt	361/683
D455,889 S *	4/2002	Jobin	D99/43
D457,359 S *	5/2002	Chan	D6/492
D493,176 S *	7/2004	O'Connor	D14/455
D520,228 S *	5/2006	Conforti	D3/5
D525,410 S *	7/2006	Colley	D99/43
D530,719 S *	10/2006	Roubanis	D14/449
2004/0206645 A1 *	10/2004	Roubanis	206/320

* cited by examiner

Primary Examiner—Cathron Brooks

Assistant Examiner—Angela J Lee

(74) *Attorney, Agent, or Firm*—Harness, Dickey & Pierce, P.L.C.

(57) **CLAIM**

The ornamental design for a sight shield for ATM keypad or the like, as shown and described.

DESCRIPTION

FIG. 1 is a front view of a sight shield for ATM keypad or the like according to our new design;

FIG. 2 is a rear view thereof;

FIG. 3 is a top view thereof;

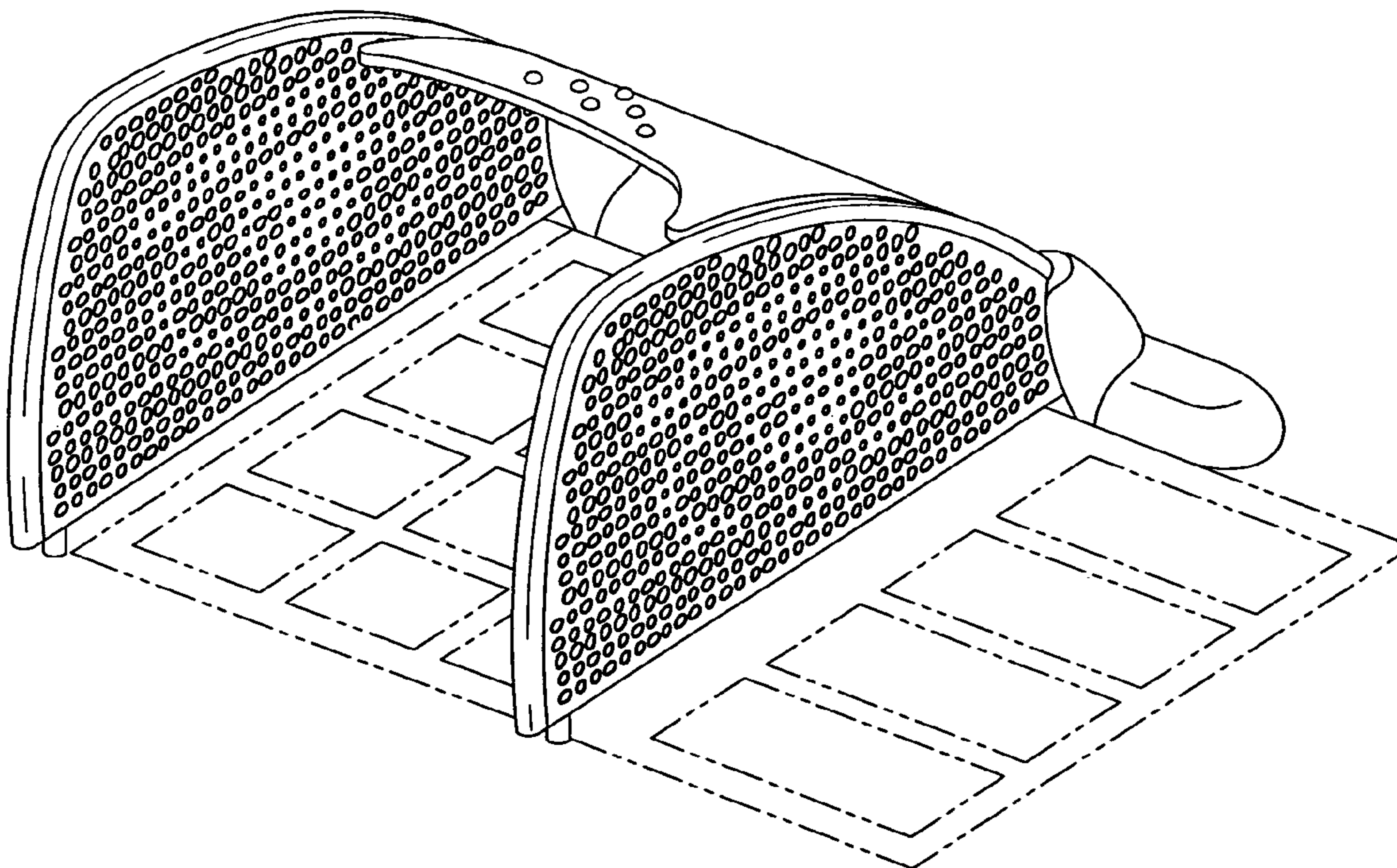
FIG. 4 is a right side view thereof;

FIG. 5 is a left side view thereof; and,

FIG. 6 is a perspective view thereof taken from the front right side.

The broken line showing of portions of the sight shield for ATM keypad or the like forms no part of the claimed design.

1 Claim, 4 Drawing Sheets



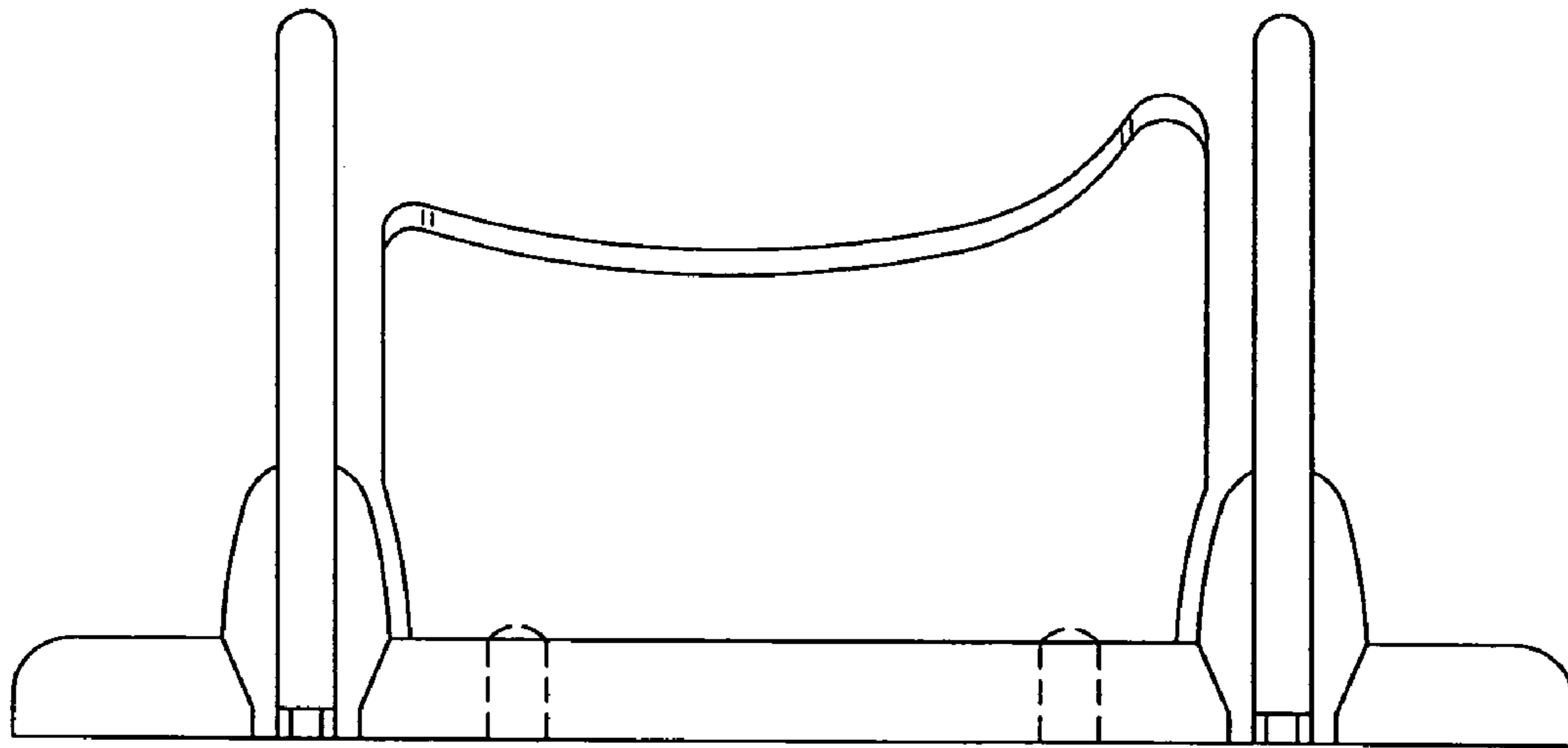


Fig-1

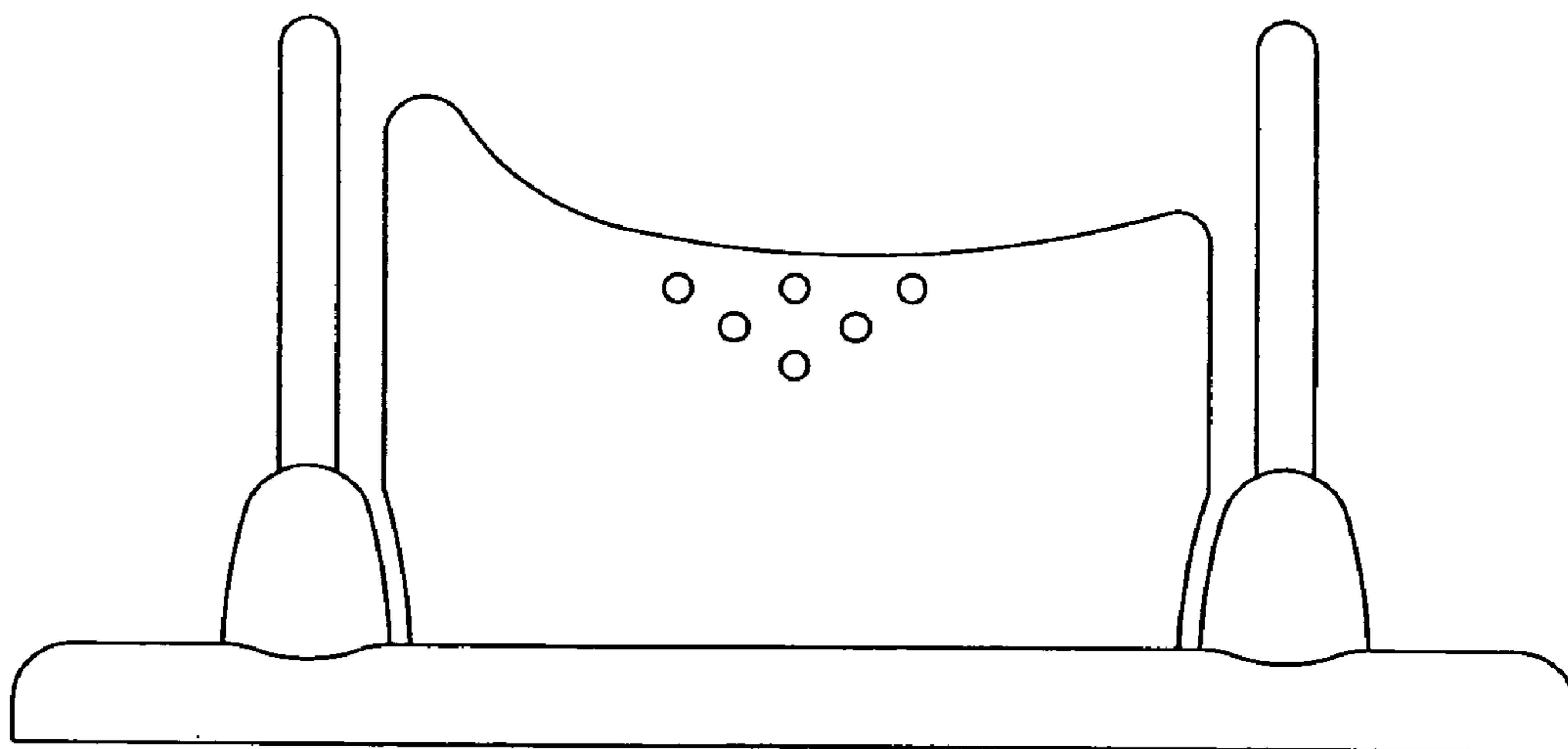


Fig-2

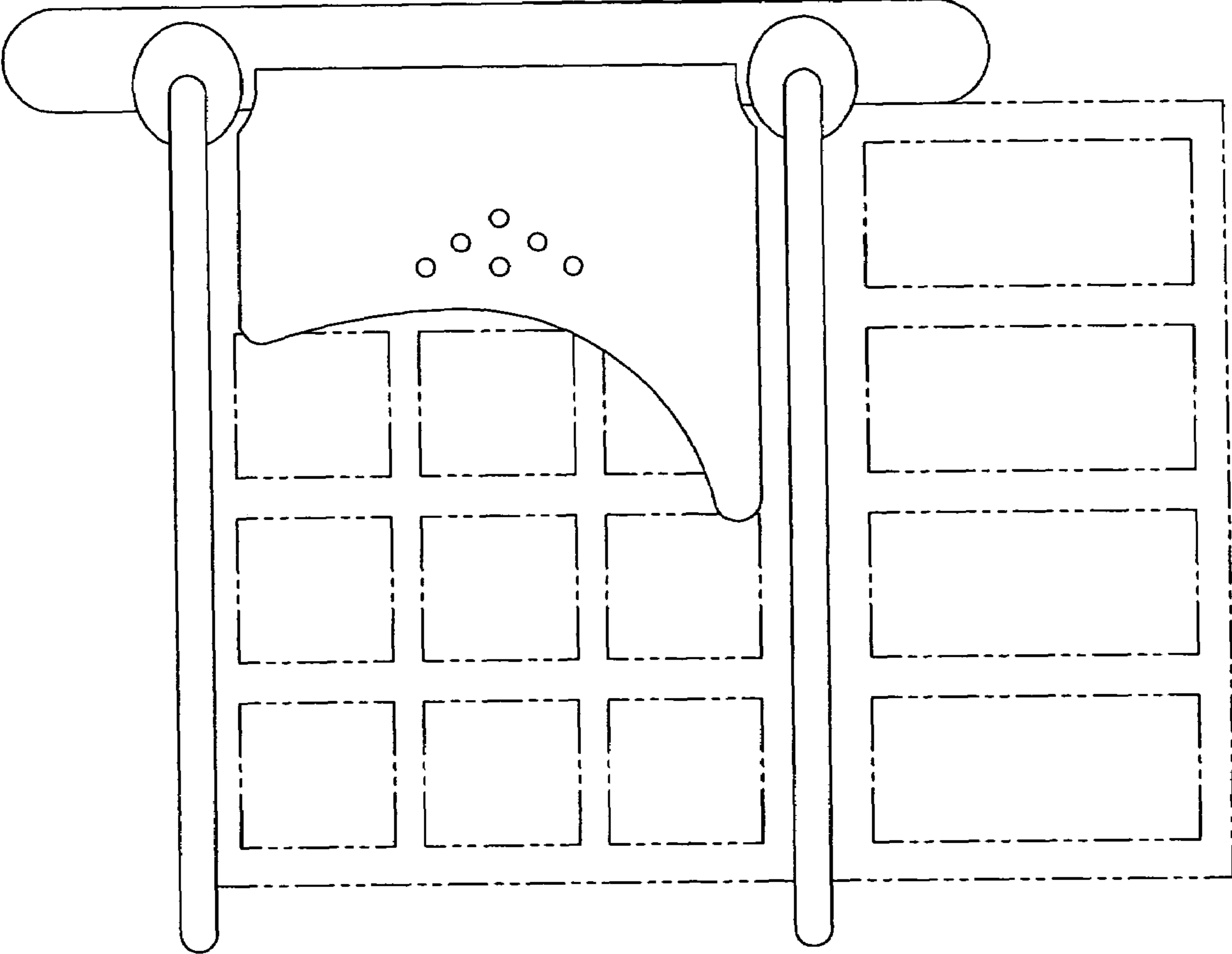


Fig-3

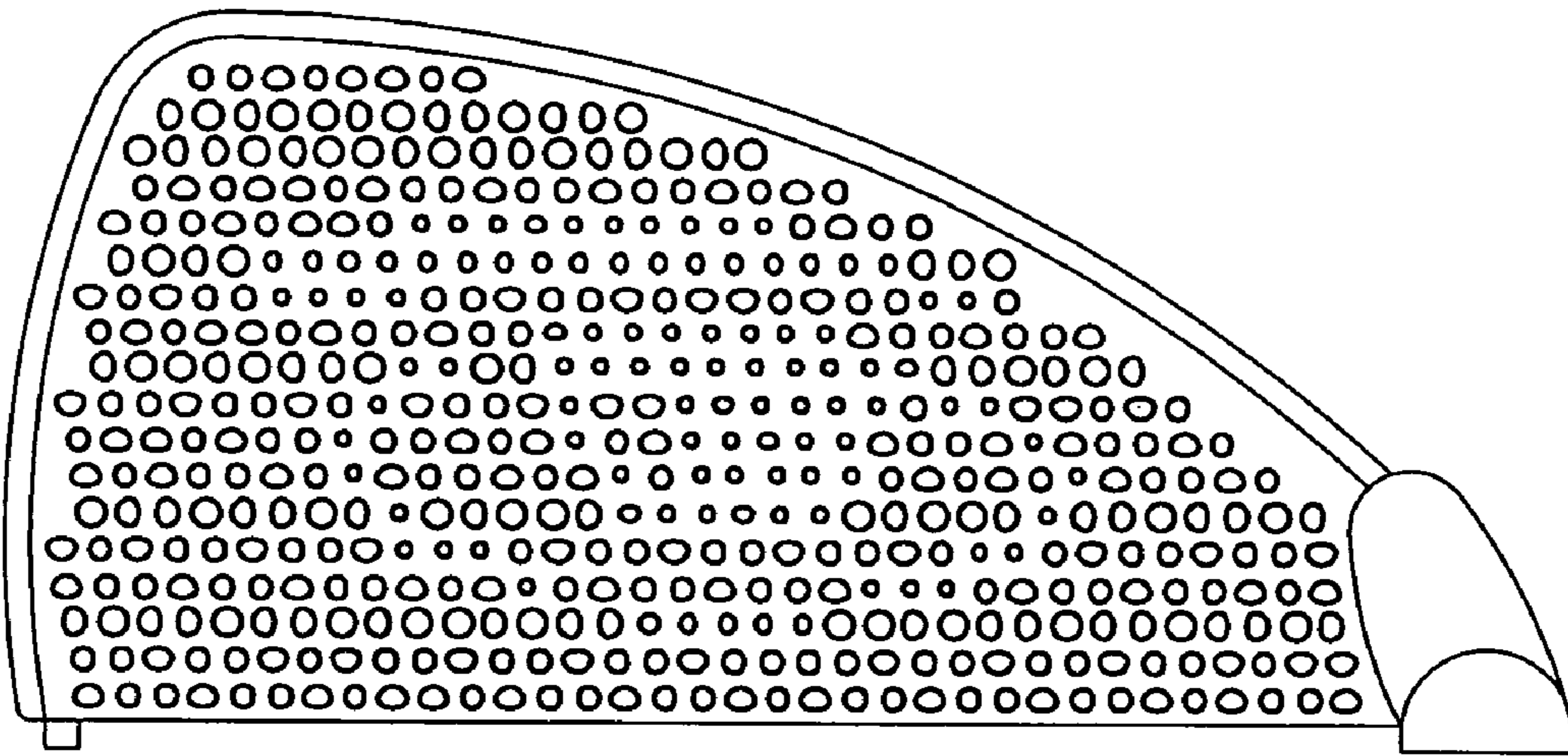


Fig-4

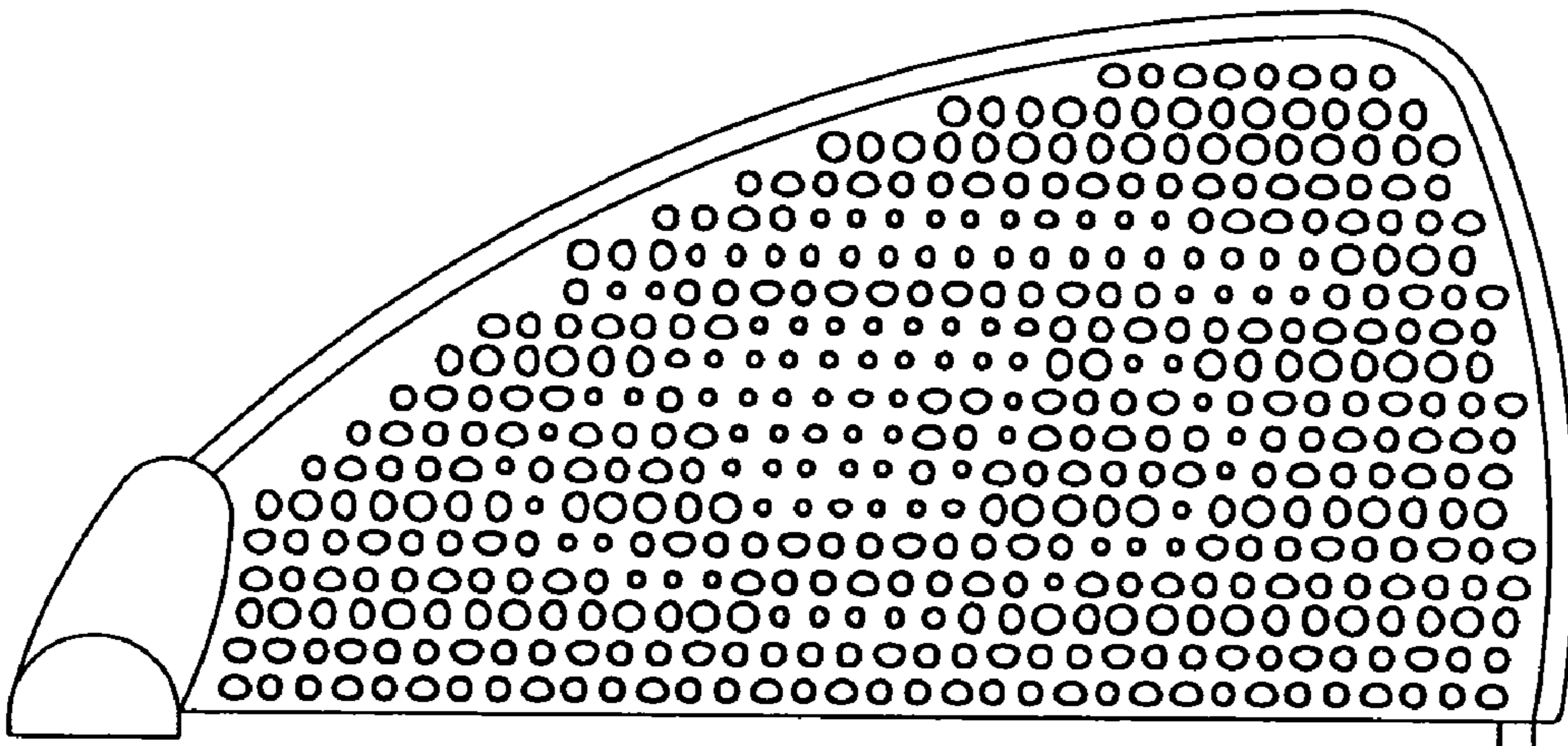


Fig-5

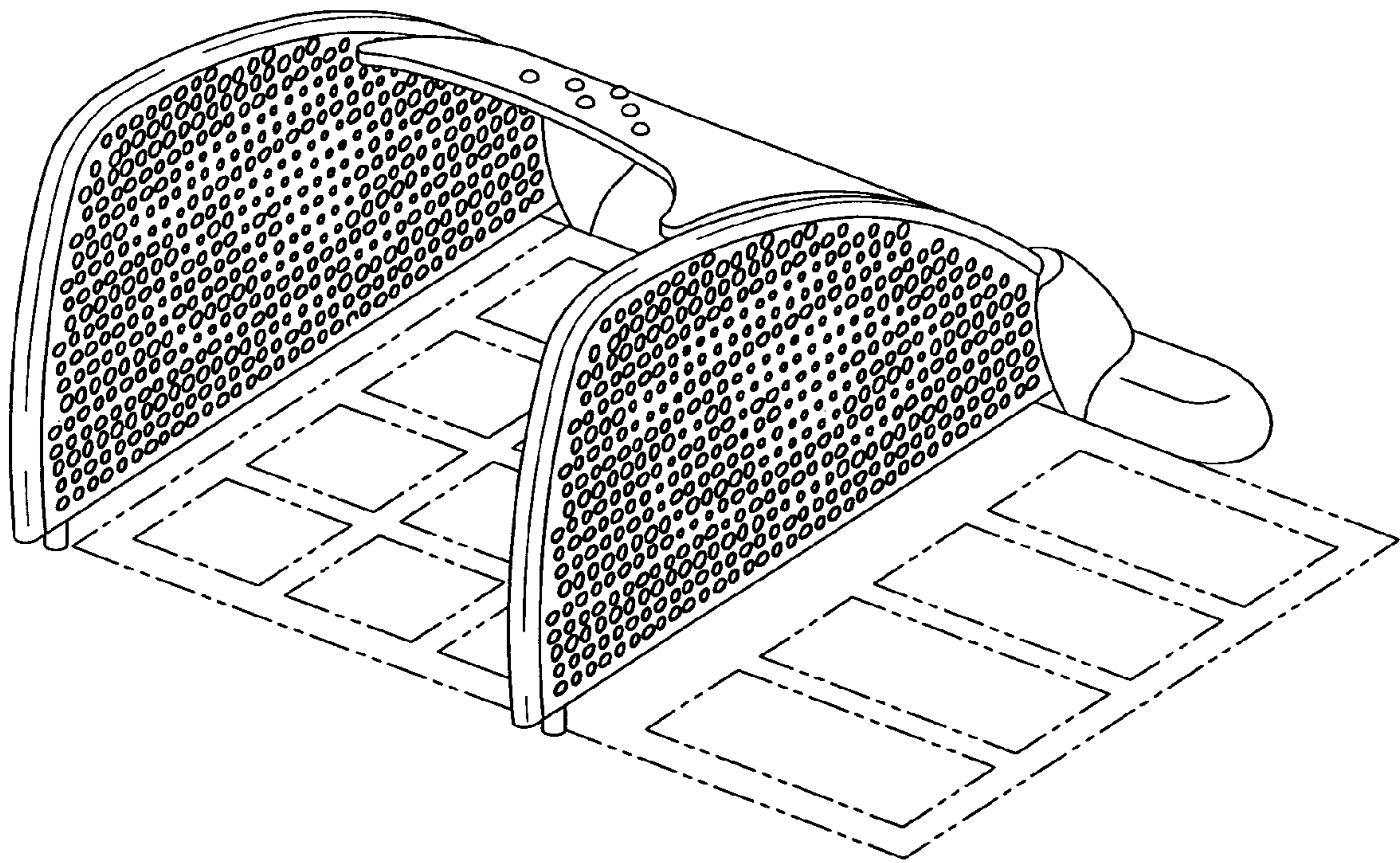


Fig-6