



US00D581932S

(12) **United States Design Patent**
Nishizawa et al.

(10) **Patent No.:** **US D581,932 S**
(45) **Date of Patent:** **** Dec. 2, 2008**

(54) **MEMORY CARD**

(75) Inventors: **Hiroataka Nishizawa**, Tokyo (JP); **Kenji Osawa**, Tokyo (JP); **Junichiro Osako**, Tokyo (JP); **Tamaki Wada**, Tokyo (JP); **Michiaki Sugiyama**, Tokyo (JP); **Takashi Totsuka**, Tokyo (JP); **Yoshitaka Aoki**, Tokyo (JP); **Keiichi Tsutsui**, Tokyo (JP)

(73) Assignees: **Renesas Technology Corp.**, Tokyo (JP); **Sony Kabushiki Kaisha**, Tokyo (JP)

(**) Term: **14 Years**

(21) Appl. No.: **29/286,731**

(22) Filed: **May 17, 2007**

Related U.S. Application Data

(62) Division of application No. 29/242,997, filed on Nov. 18, 2005, now Pat. No. Des. 552,099.

(30) **Foreign Application Priority Data**

May 24, 2005 (JP) 2005-014900
May 24, 2005 (JP) 2005-014909

(51) **LOC (8) Cl.** **14-02**

(52) **U.S. Cl.** **D14/436**

(58) **Field of Classification Search** D14/435-438, D14/478-480; 235/441, 443, 487, 492, 493, 235/495; 361/737, 679, 752, 736, 728, 796, 361/797, 729, 730, 725-727; 257/678, 679, 257/693, E23.064; 439/946, 948, 159; 174/250, 174/260, 52.1, 52.2; 710/300-303; 438/121
See application file for complete search history.

(56) **References Cited**

U.S. PATENT DOCUMENTS

D320,225 S * 9/1991 Ido et al. D18/12
5,946,194 A * 8/1999 Dudas et al. 361/737
5,964,595 A * 10/1999 Centofante 439/76.1

6,085,412 A * 7/2000 Iwasaki 29/827
6,213,790 B1 * 4/2001 Kakinoki et al. 439/95
D445,797 S * 7/2001 Lee et al. D14/436
D446,525 S * 8/2001 Okamoto et al. D14/436
D453,934 S * 2/2002 Wallace et al. D14/436
6,381,143 B1 * 4/2002 Nakamura 361/737
6,462,273 B1 * 10/2002 Corisis et al. 174/521
6,483,038 B2 * 11/2002 Lee et al. 174/255
D467,586 S * 12/2002 Shimoda et al. D14/436
6,538,331 B2 * 3/2003 Masuda et al. 257/777
6,539,623 B1 * 4/2003 Chen 29/841
D474,473 S * 5/2003 Fischer et al. D14/437
6,573,567 B1 * 6/2003 Nishizawa et al. 257/358

FOREIGN PATENT DOCUMENTS

JP 2005-339496 9/2004

(Continued)

Primary Examiner—Melanie H Tung

Assistant Examiner—Susan Moon Lee

(74) *Attorney, Agent, or Firm*—Reed Smith LLP; Stanley P. Fisher, Esq.; Juan Carlos A. Marquez, Esq.

(57) **CLAIM**

The ornamental design for a memory card, as shown and described.

DESCRIPTION

FIG. 1 is a front elevational view of a memory card showing our new design;

FIG. 2 is a rear elevational view thereof;

FIG. 3 is a top plan view thereof;

FIG. 4 is a bottom plan view thereof;

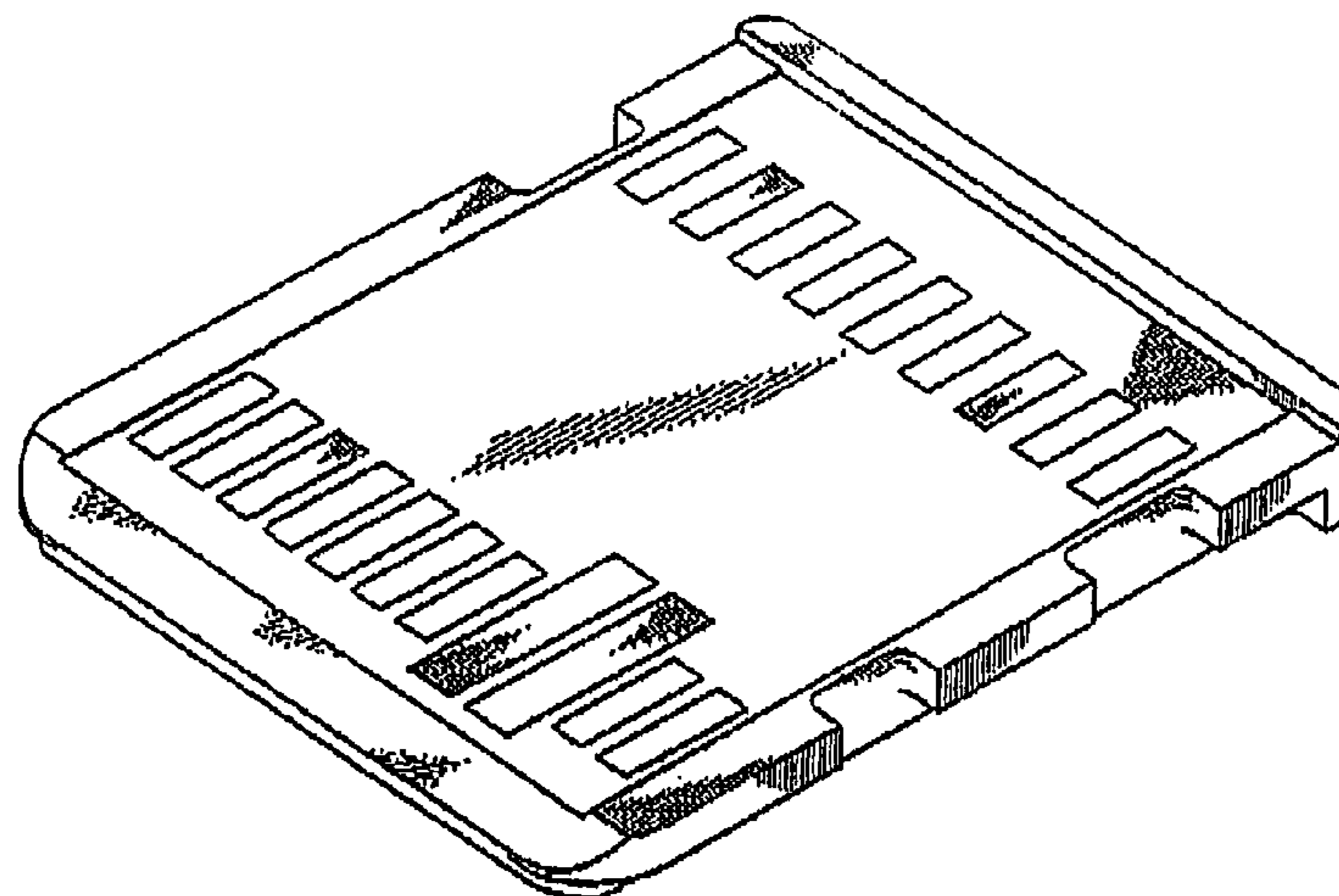
FIG. 5 is a right side view thereof;

FIG. 6 is a left side view thereof;

FIG. 7 is a sectional view of the memory card that is taken along line A—A of FIG. 1; and,

FIG. 8 is a perspective view thereof.

1 Claim, 4 Drawing Sheets



US D581,932 S

Page 2

U.S. PATENT DOCUMENTS

6,580,615	B1 *	6/2003	Nakanishi et al.	361/737	7,032,827	B2 *	4/2006	Wang et al.	235/492
6,590,778	B1 *	7/2003	Hojo et al.	361/737	7,033,223	B1 *	4/2006	Lin	439/630
6,612,498	B1 *	9/2003	Lipponen et al.	235/486	7,044,757	B1 *	5/2006	Yen	439/138
6,632,997	B2 *	10/2003	Hoffman et al.	174/527	7,053,471	B2 *	5/2006	Wada et al.	257/679
6,646,885	B1 *	11/2003	Yu et al.	361/737	7,061,105	B2 *	6/2006	Masuda et al.	257/723
6,686,663	B2 *	2/2004	Masuda et al.	257/777	7,152,801	B2 *	12/2006	Cuellar et al.	235/492
6,700,788	B2 *	3/2004	Matsushita et al.	361/737	7,233,058	B2 *	6/2007	Wada et al.	257/679
D488,477	S *	4/2004	Yu et al.	D14/436	7,374,104	B2 *	5/2008	Aoki et al.	235/492
6,746,280	B1 *	6/2004	Lu et al.	439/630	2001/0009505	A1 *	7/2001	Nishizawa et al.	361/737
D492,687	S *	7/2004	Yu et al.	D14/436	2004/0070952	A1 *	4/2004	Higuchi et al.	361/737
D493,798	S *	8/2004	Yu et al.	D14/436	2004/0229511	A1 *	11/2004	Chen	439/638
D494,180	S *	8/2004	Taniguchi	D14/436	2005/0037671	A1 *	2/2005	Yamada et al.	439/677
6,773,280	B2 *	8/2004	Sasaki et al.	439/159	2005/0101170	A1 *	5/2005	Tanaka et al.	439/159
6,851,959	B2 *	2/2005	Ooya et al.	439/159	2005/0253239	A1	11/2005	Nishizawa et al.	
6,858,925	B2	2/2005	Wada et al.		2005/0279838	A1 *	12/2005	Wang et al.	235/492
6,865,086	B2 *	3/2005	Gochmour et al.	361/737	2006/0003609	A1 *	1/2006	Hwang	439/76.1
6,908,038	B1 *	6/2005	Le	235/492	2006/0009078	A1 *	1/2006	Chen	439/630
6,945,465	B2	9/2005	Nishizawa et al.		2006/0014434	A1 *	1/2006	Yamamoto et al.	439/630
6,970,359	B2 *	11/2005	Gochmour et al.	361/737					
7,009,846	B1 *	3/2006	Wang et al.	361/737					
7,030,316	B2 *	4/2006	Centofante	174/559					

FOREIGN PATENT DOCUMENTS

WO WO 2005/004047 A1 7/2003

* cited by examiner

Fig. 1

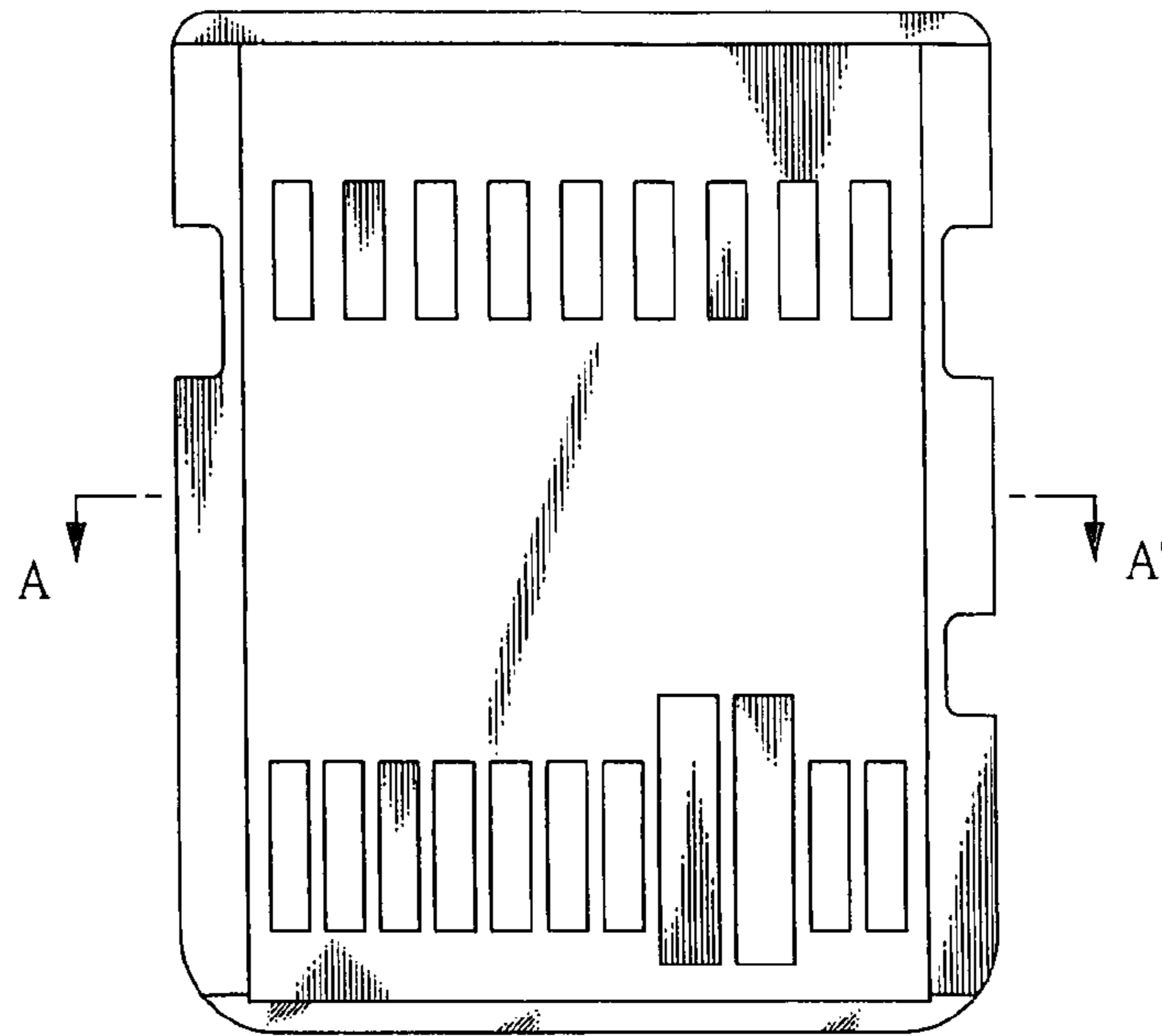


Fig. 2



Fig. 3

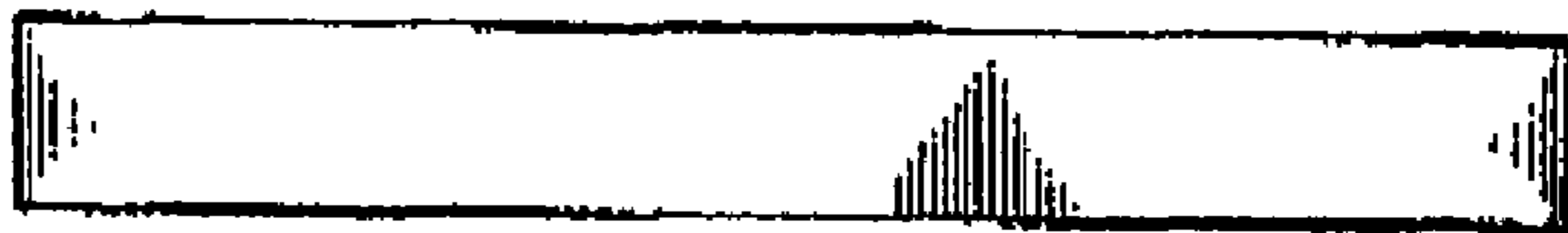


Fig. 4

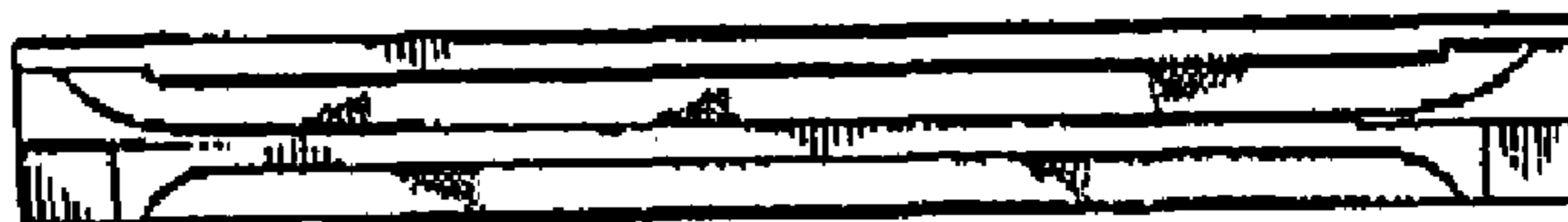


Fig. 5



Fig. 6



Fig. 7



Fig. 8

