



US00D581931S

(12) **United States Design Patent**
Pine

(10) **Patent No.:** **US D581,931 S**

(45) **Date of Patent:** **** Dec. 2, 2008**

(54) **HAND-HELD RFID AND OPTICAL IMAGING DEVICE**

(75) Inventor: **Jeffrey A. Pine**, North Syracuse, NY (US)

(73) Assignee: **Jadak, LLC**, North Syracuse, NY (US)

(**) Term: **14 Years**

(21) Appl. No.: **29/278,077**

(22) Filed: **Mar. 19, 2007**

(51) **LOC (8) Cl.** **14-02**

(52) **U.S. Cl.** **D14/426**

(58) **Field of Classification Search** D14/420, D14/426-430, 218, 341, 371, 347, 147, 138, D14/172, 191, 188, 137, 240, 299, 434, 149, D14/253; D24/155, 186; 340/539.32, 539.13, 340/815.42, 825.49, 5.52-5.53, 5.8, 5.81-5.83, 340/572.1; D10/78, 104, 116; D13/168, D13/108; 235/383, 472.01-472.03, 462.43, 235/462.45, 454, 460, 462.3, 462.01, 472, 235/472.2, 435, 375; D21/329; 382/115, 382/124, 125-127; 902/3-5; 400/489; 379/433.07; 312/223.2, 263; 348/836-839, 843; 220/783; 362/157, 158; D26/37, 45, 50
See application file for complete search history.

(56) **References Cited**

U.S. PATENT DOCUMENTS

3,474,234 A * 10/1969 Rieger et al. 235/454
3,632,878 A * 1/1972 Stratman 379/21
D281,977 S * 12/1985 Sklaroff D14/430

D285,200 S * 8/1986 Bressler et al. D14/147
D297,715 S * 9/1988 Lalley D10/78
D308,865 S * 6/1990 Weaver et al. D14/429
D318,658 S * 7/1991 Stoddard et al. D14/430
D332,446 S * 1/1993 Lin D14/411
5,332,322 A * 7/1994 Gambaro 400/489
D376,357 S * 12/1996 Ferland et al. D14/428
D416,883 S * 11/1999 Wagner et al. D14/426
6,098,887 A * 8/2000 Figarella et al. 235/472.01
D434,989 S * 12/2000 Evans et al. D10/78

* cited by examiner

Primary Examiner—Melanie Tung

Assistant Examiner—Susan Moon Lee

(74) *Attorney, Agent, or Firm*—David L. Nocilly; Bond Schoeneck & King, PLLC

(57) **CLAIM**

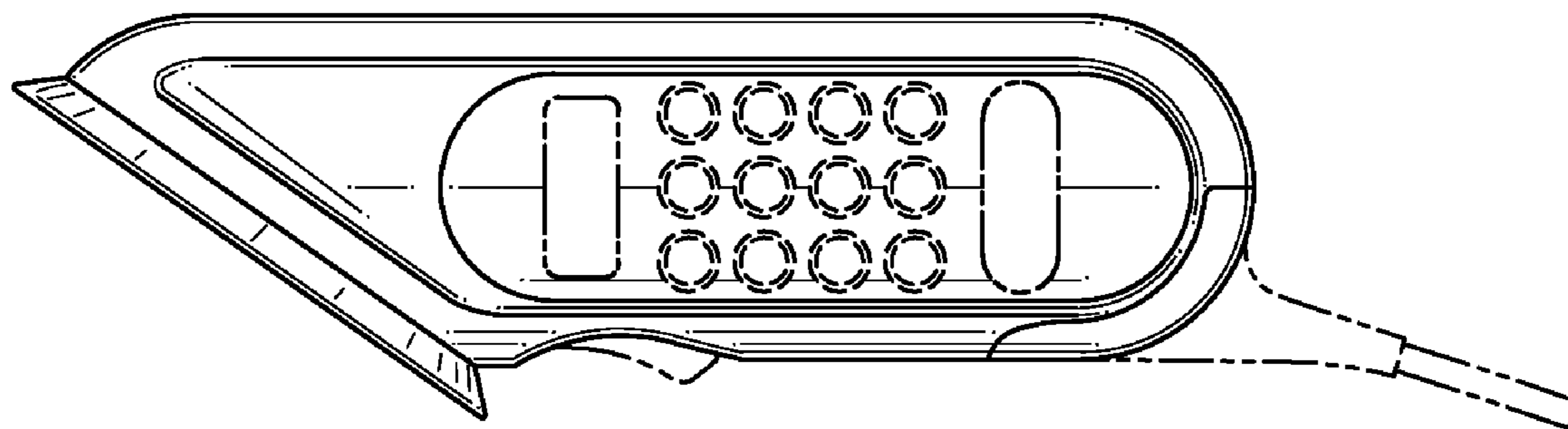
The ornamental design for a hand-held RFID and optical imaging device, shown and described.

DESCRIPTION

FIG. 1 is a left side view thereof;
FIG. 2 is a right side view thereof;
FIG. 3 is a top plan view thereof;
FIG. 4 is a bottom plan view thereof;
FIG. 5 is a front end view thereof; and,
FIG. 6 is a rear end view thereof of the hand-held RFID and optical imaging device.

The portions shown in broken line are for illustrative purposes only and are not claimed.

1 Claim, 1 Drawing Sheet



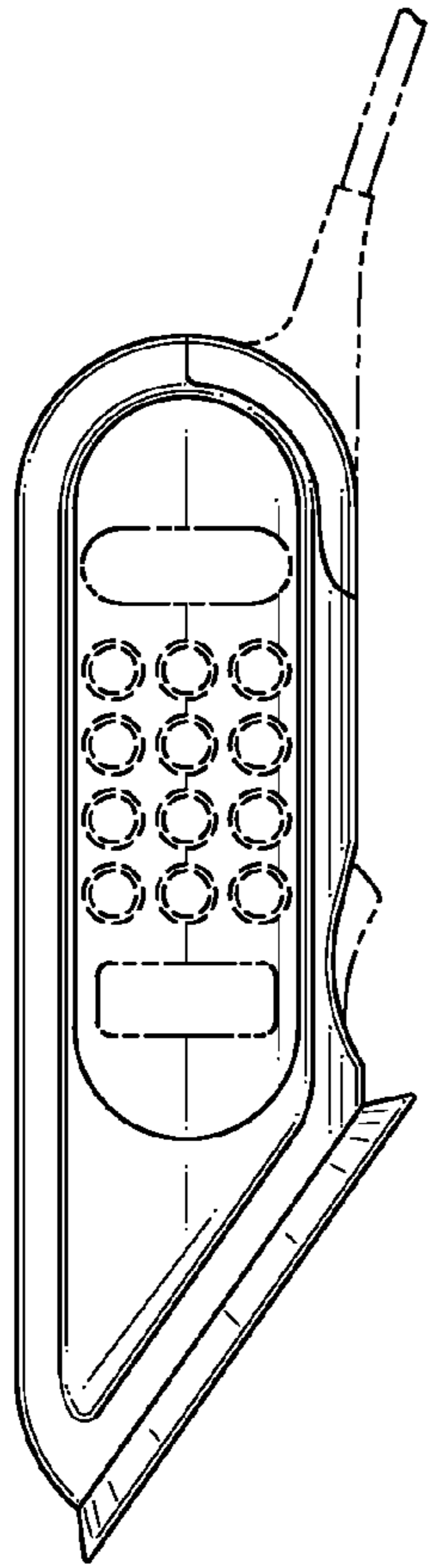


FIG. 1

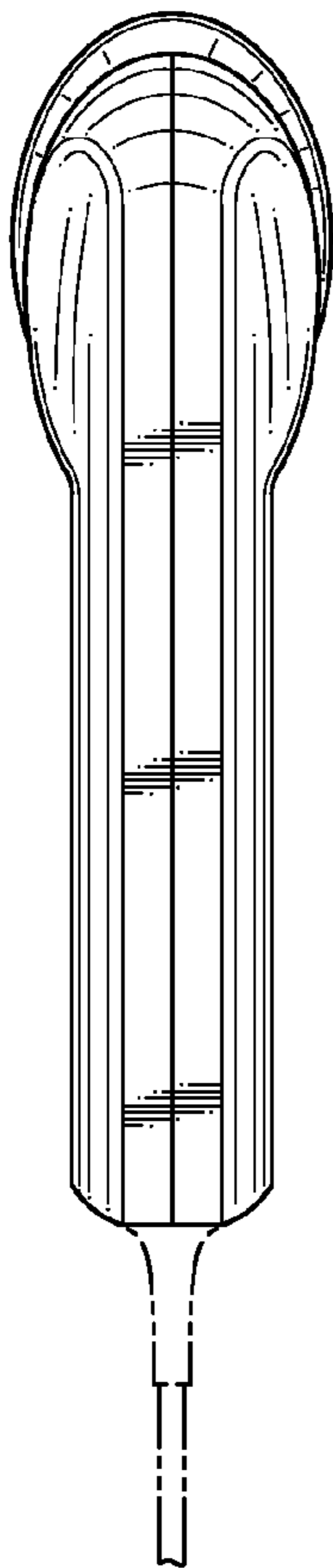


FIG. 3

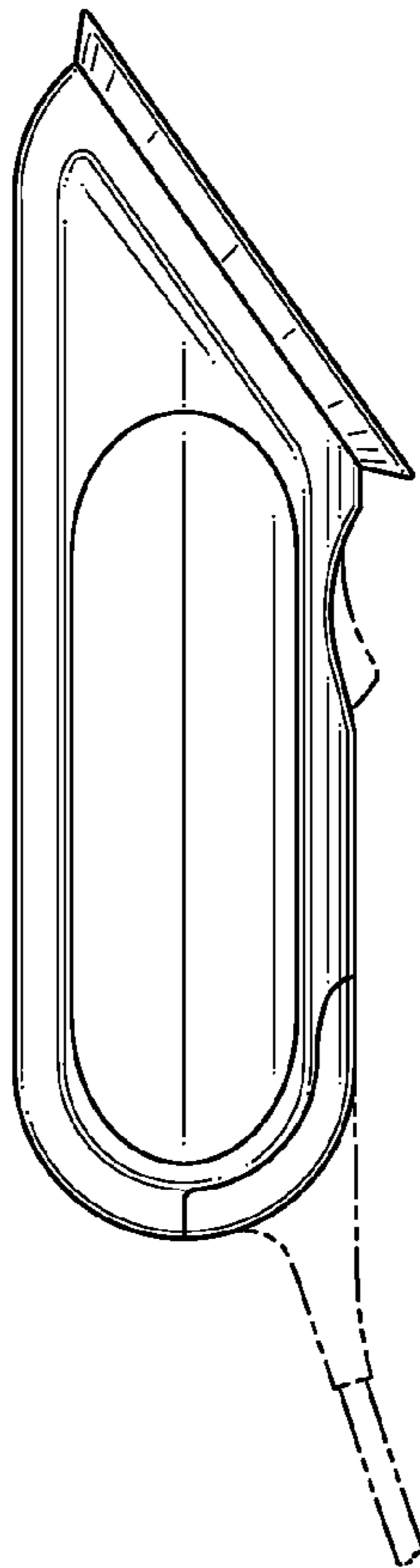


FIG. 2

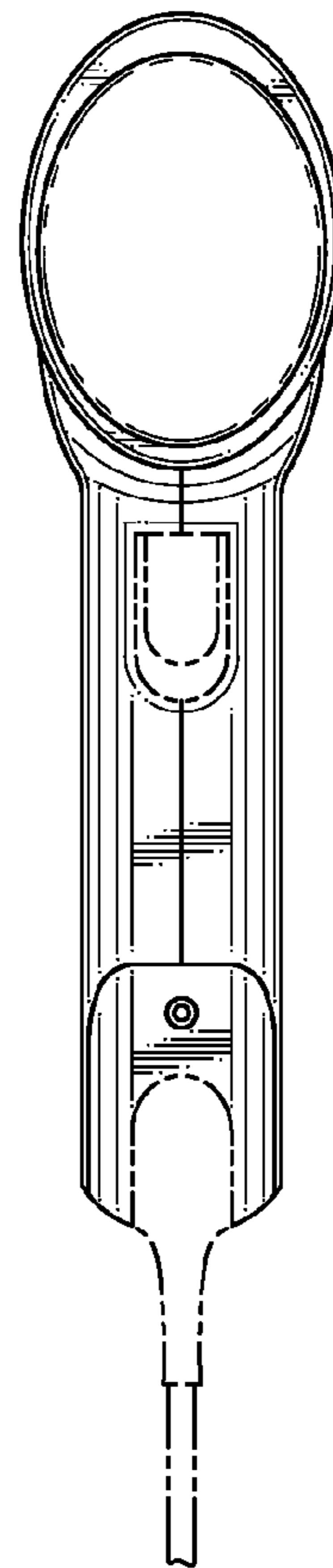


FIG. 4

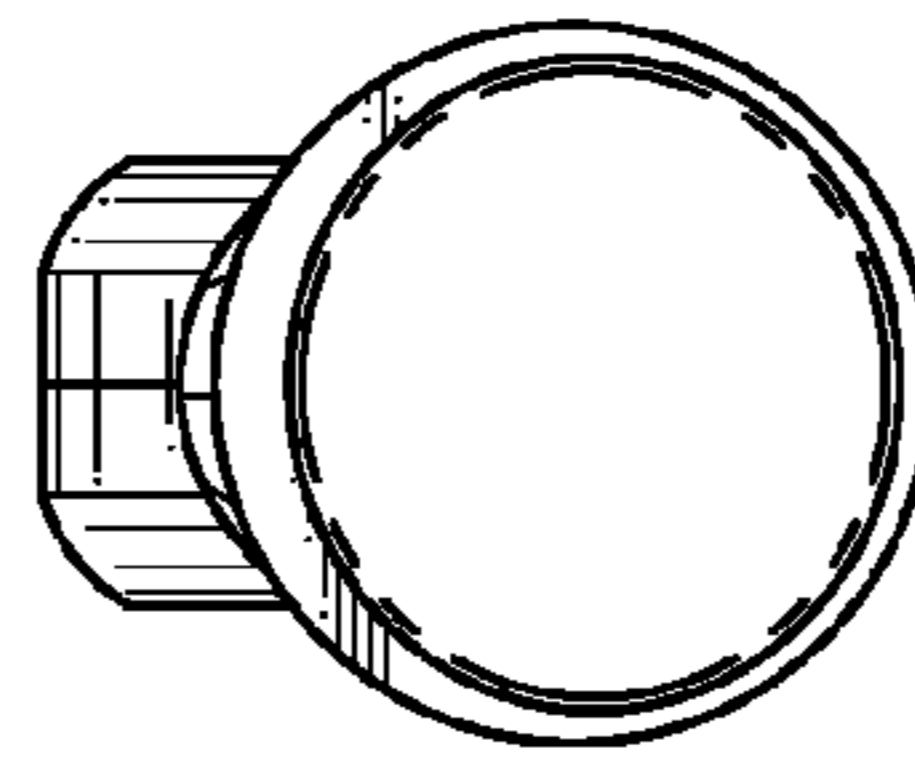


FIG. 5

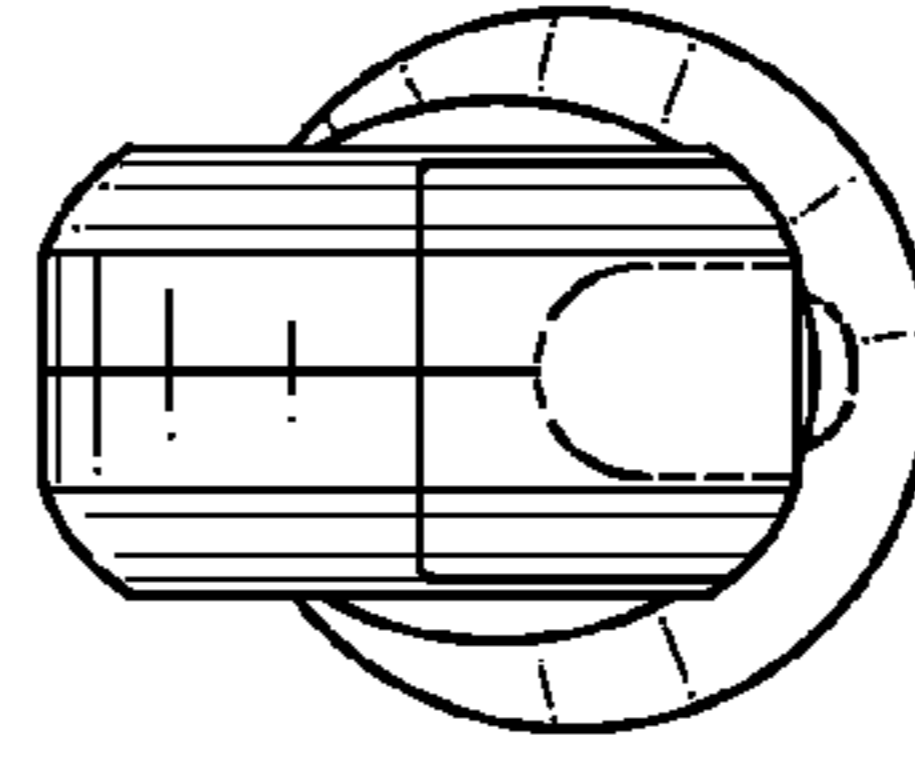


FIG. 6