



US00D581928S

(12) **United States Design Patent**
Tsuchiya

(10) **Patent No.:** **US D581,928 S**
(45) **Date of Patent:** **** Dec. 2, 2008**

(54) **READER AND WRITER FOR OPTICAL DISC**

(75) Inventor: **Hitoshi Tsuchiya**, Kanagawa (JP)

(73) Assignee: **Victor Company of Japan, Limited**,
Kanagawa (JP)

(**) Term: **14 Years**

(21) Appl. No.: **29/288,636**

(22) Filed: **Jun. 18, 2007**

(30) **Foreign Application Priority Data**

Dec. 18, 2006 (JP) 2006-034644

(51) **LOC (8) Cl.** **14-02**

(52) **U.S. Cl.** **D14/363**

(58) **Field of Classification Search** D13/184;
D14/348, 356, 363, 435; 379/413.02, 413.04;
361/600, 679, 683-685

See application file for complete search history.

(56) **References Cited**

U.S. PATENT DOCUMENTS

D374,871 S * 10/1996 Taniguchi D14/363

D383,732 S * 9/1997 Haley et al. D14/435

D402,641 S * 12/1998 Heijnen D13/184

D532,785 S * 11/2006 Lo et al. D14/363

* cited by examiner

Primary Examiner—Brian N Vinson

(74) *Attorney, Agent, or Firm*—Osha • Liang LLP

(57) **CLAIM**

The ornamental design for a reader and writer for optical disc,
as shown and described.

DESCRIPTION

FIG. 1 is a perspective view of the front, left side and top plan
of the design according to the invention.

FIG. 2 is a front view of the design according to the invention.

FIG. 3 is a rear view of the design according to the invention.

FIG. 4 is a top plan view of the design according to the
invention.

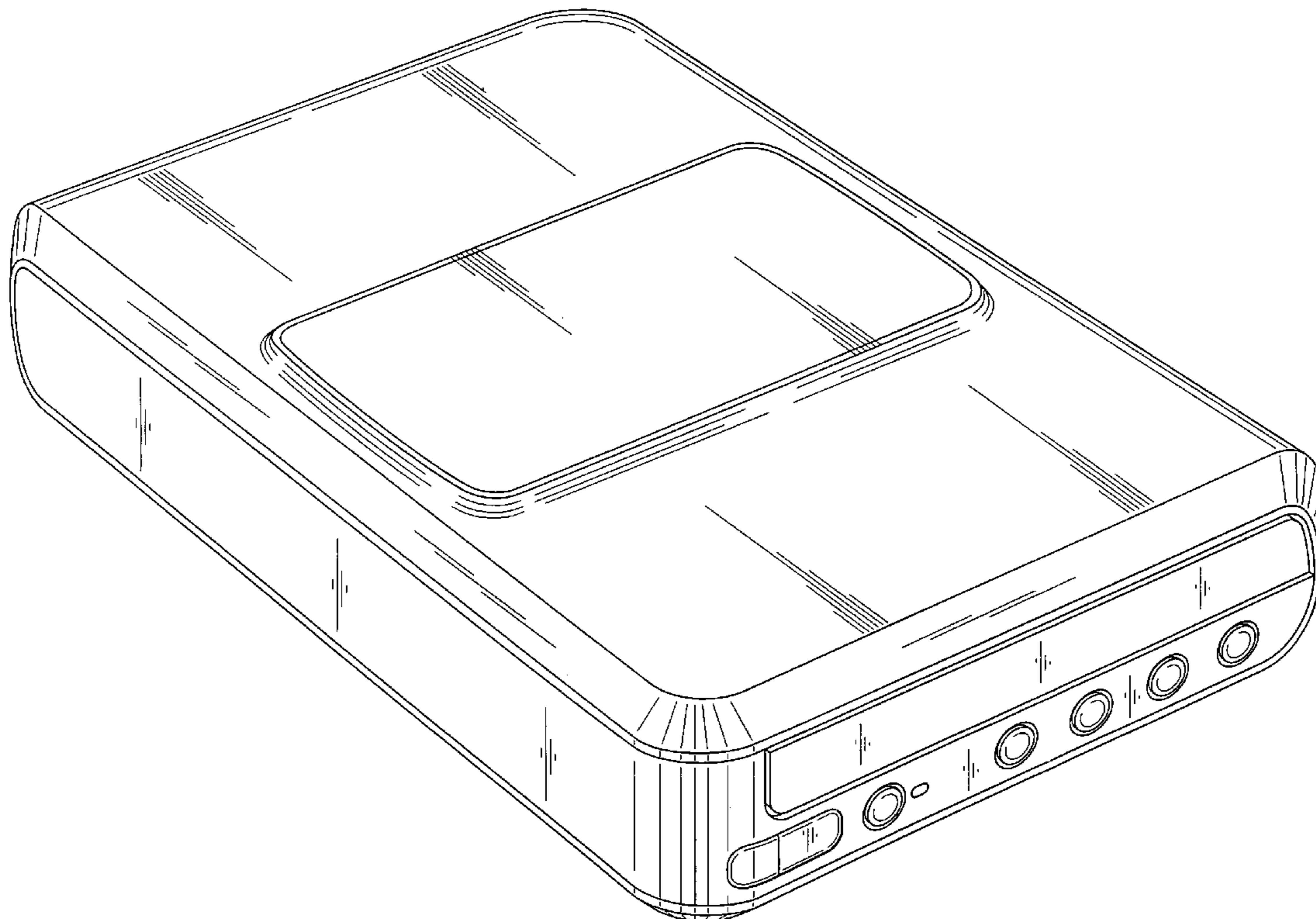
FIG. 5 is a bottom view of the design according to the inven-
tion.

FIG. 6 is a left side view of the design according to the
invention; and,

FIG. 7 is a right side view of the design according to the
invention.

The elements shown in broken lines are for illustrative pur-
poses only and form no part of the claimed design.

1 Claim, 5 Drawing Sheets



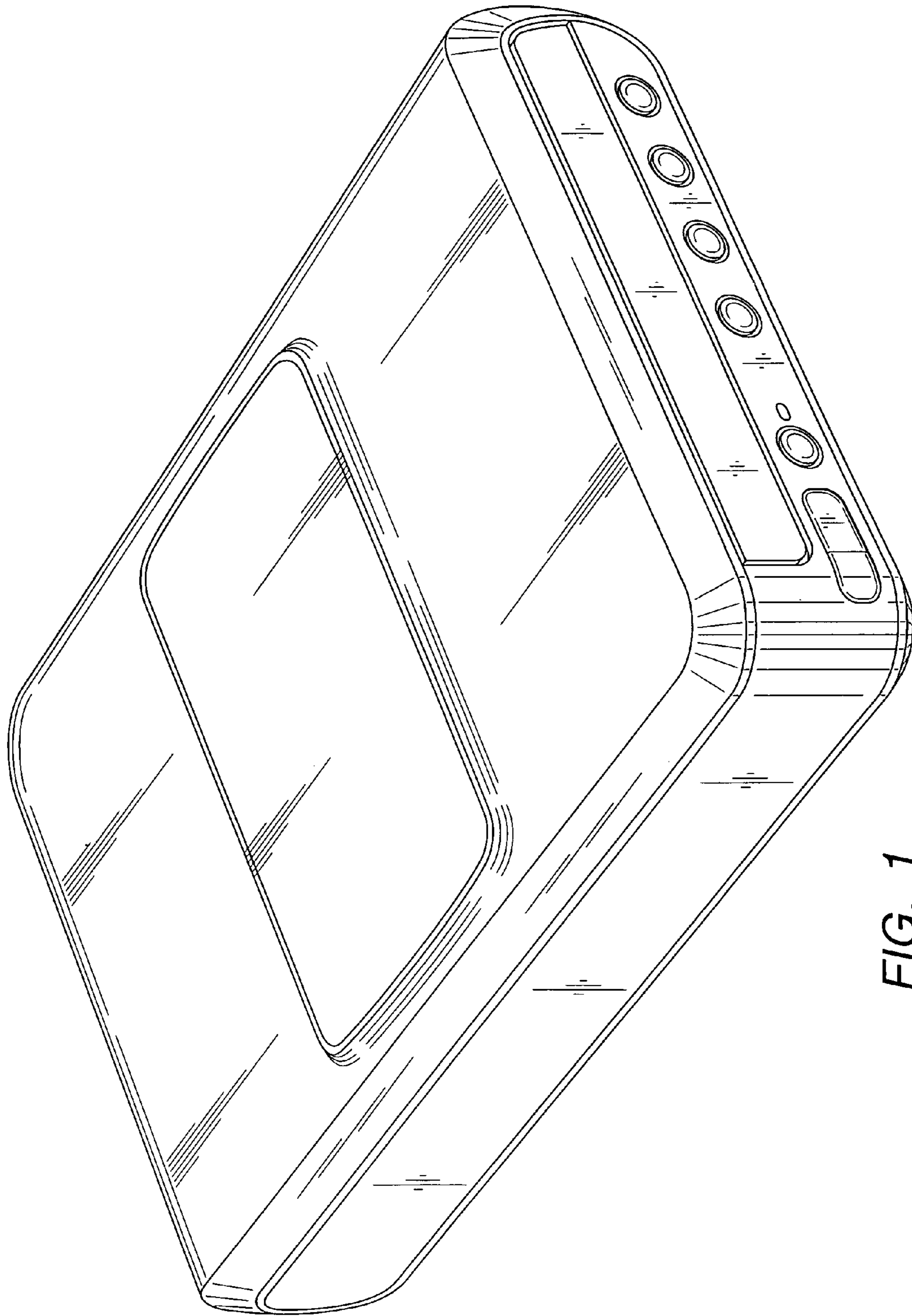


FIG. 1

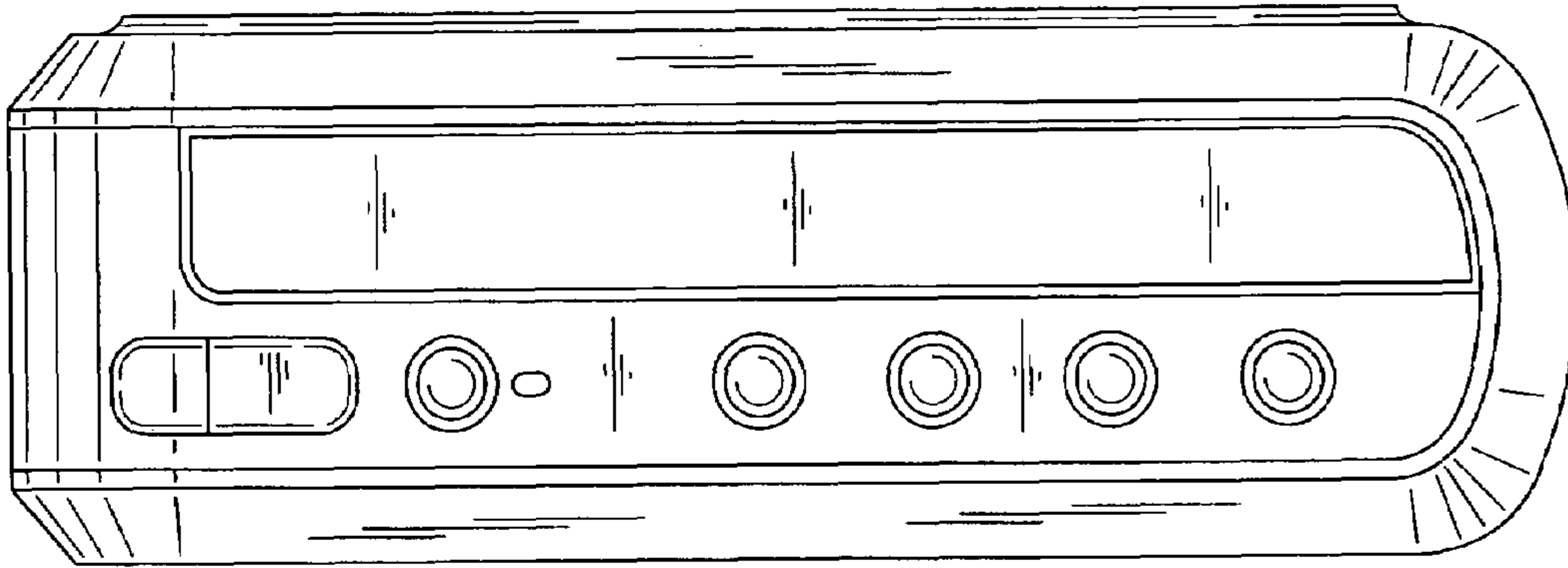


FIG. 2

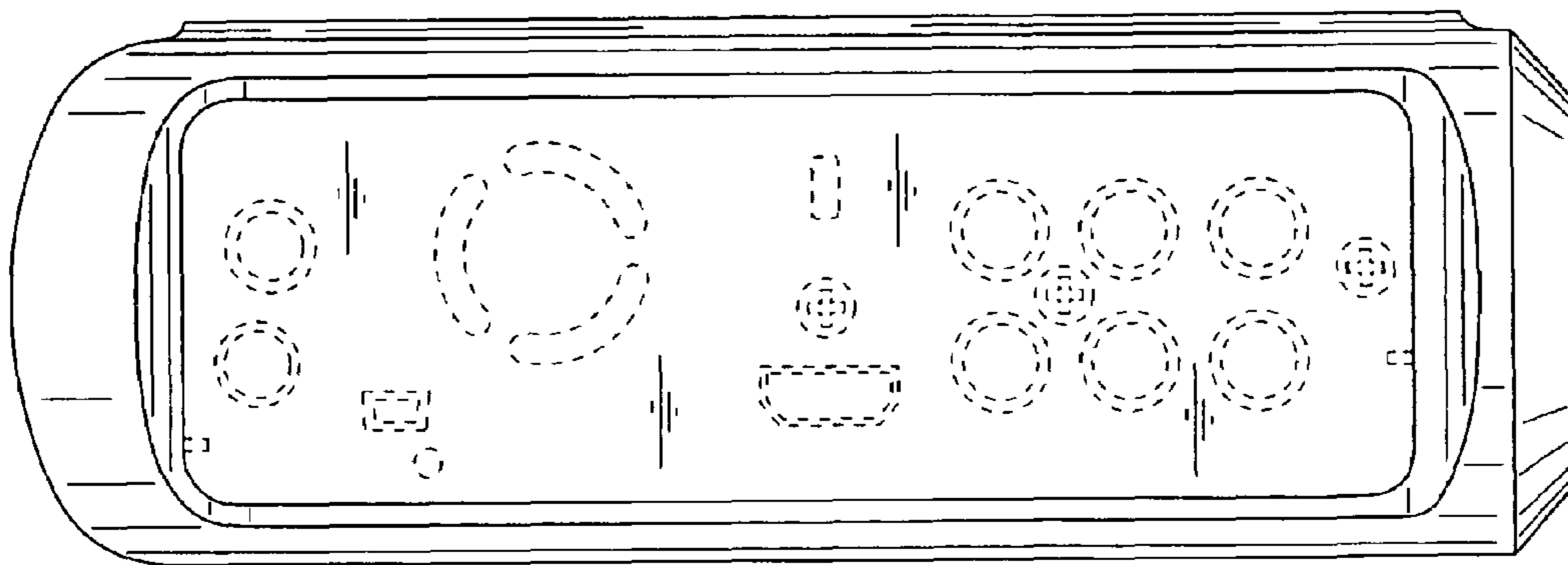


FIG. 3

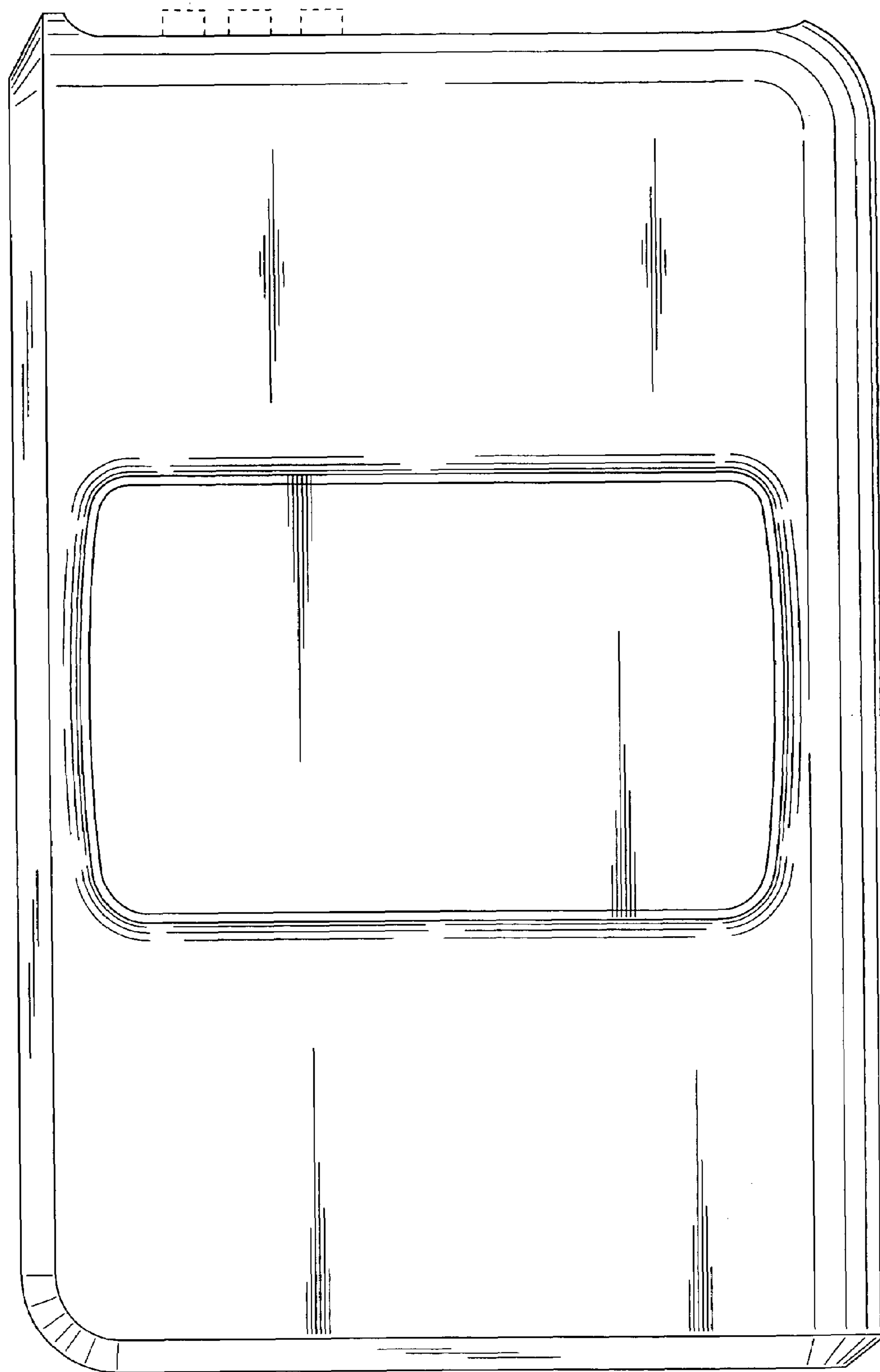


FIG. 4

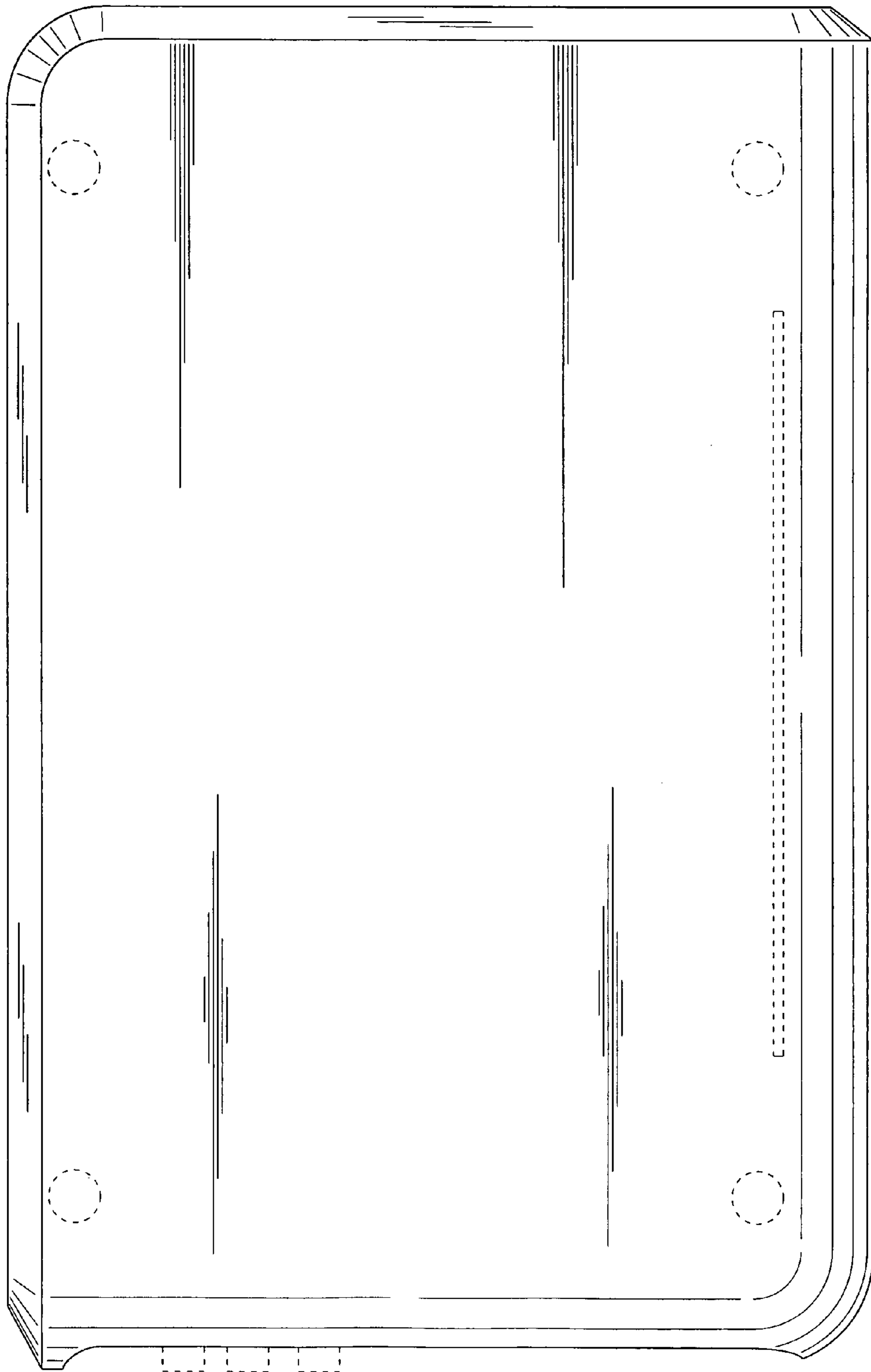


FIG. 5

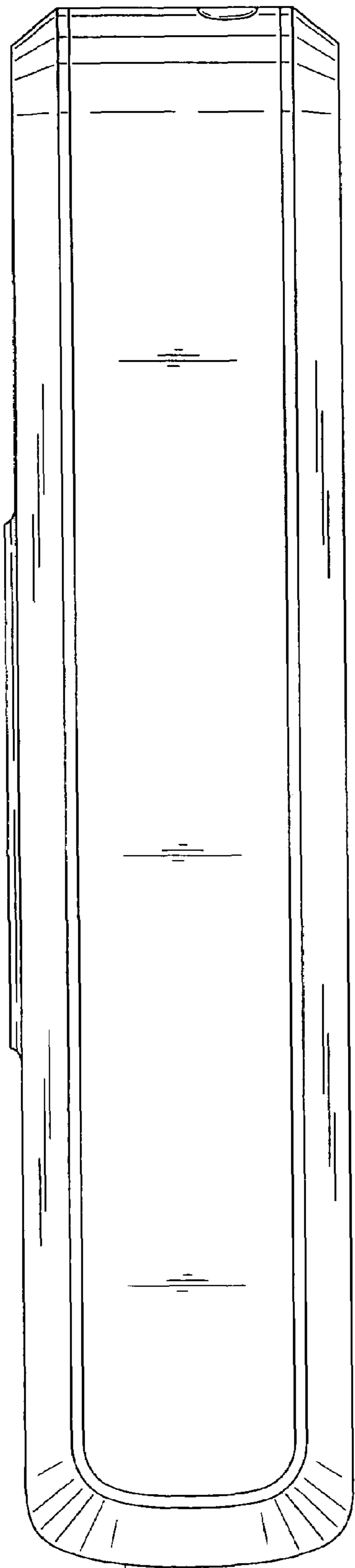


FIG. 6

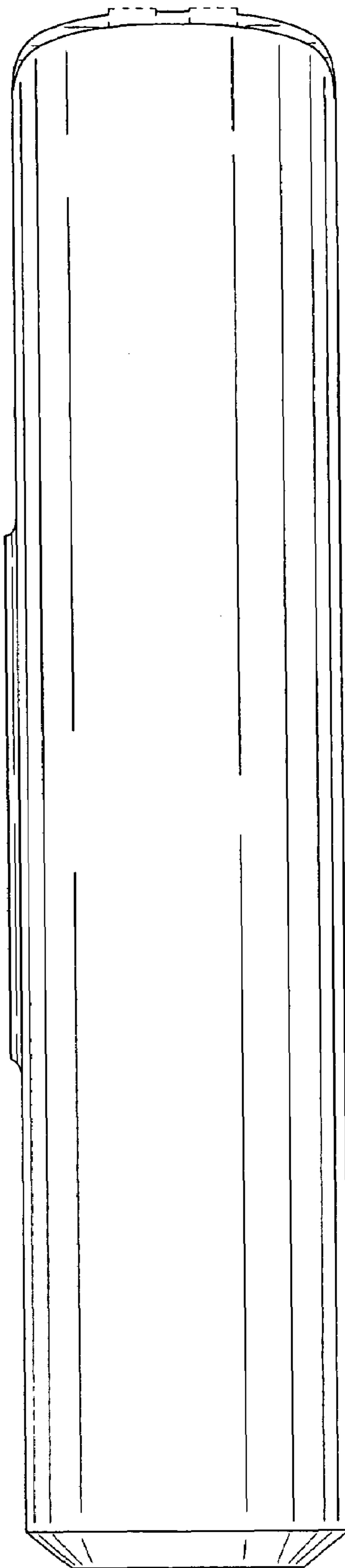


FIG. 7