

US00D581927S

(12) **United States Design Patent**  
**Sumii**

(10) **Patent No.:** **US D581,927 S**  
(45) **Date of Patent:** **\*\* Dec. 2, 2008**

(54) **ARITHMETIC AND CONTROL UNIT**

(75) Inventor: **Tetsu Sumii**, Tokyo (JP)

(73) Assignee: **Sony Corporation**, Tokyo (JP)

(\*\*) Term: **14 Years**

(21) Appl. No.: **29/287,086**

(22) Filed: **Jun. 26, 2007**

(30) **Foreign Application Priority Data**

Dec. 26, 2006 (JP) ..... D2006-035762  
Dec. 26, 2006 (JP) ..... D2006-035763  
Dec. 26, 2006 (JP) ..... D2006-035764

(51) **LOC (8) Cl.** ..... **14-02**

(52) **U.S. Cl.** ..... **D14/356**

(58) **Field of Classification Search** ..... D14/300-301,  
D14/313-314, 348-349, 351-370, 432, 435-436,  
D14/496, 137, 155, 167-168, 240, 214, 299;  
D13/149, 162, 184, 199; D3/201, 273; 711/100,  
711/115; 361/685; 360/132-133, 135; 312/223.1,  
312/223.2; 369/34.01, 36.01, 272.1; 379/93.01;  
720/613

See application file for complete search history.

(56) **References Cited**

**U.S. PATENT DOCUMENTS**

D259,093 S \* 5/1981 Iovino ..... D14/483

(Continued)

**FOREIGN PATENT DOCUMENTS**

JP D1201299 S 4/2004

**OTHER PUBLICATIONS**

“CES: Gates and team show off Microsoft’s consumer chops”,  
Between the Lines, ZDNet.com, [online] Jan. 7, 2007 [retrieved on  
Dec. 3, 2007]. Retrieved from the Internet <URL: <http://blogs.zdnet.com/BTL/?p=4237>>.\*

(Continued)

*Primary Examiner*—Robin V. Webster

*Assistant Examiner*—Karen E Kearney

(74) *Attorney, Agent, or Firm*—Rader, Fishman & Grauer,  
PLLC

(57) **CLAIM**

The ornamental design for an arithmetic and control unit, as  
shown and described.

**DESCRIPTION**

FIG. 1 is a perspective view of a first embodiment of an  
arithmetic and control unit showing my new design;

FIG. 2 is a front elevational view thereof;

FIG. 3 is a rear elevation view thereof;

FIG. 4 is a left side elevational view thereof;

FIG. 5 is a right side elevational view thereof;

FIG. 6 is a top plan view thereof; and

FIG. 7 is a bottom plan view thereof.

FIG. 8 is a perspective view of a second embodiment of an  
arithmetic and control unit showing my new design;

FIG. 9 is a front elevational view thereof;

FIG. 10 is a rear elevation view thereof;

FIG. 11 is a left side elevational view thereof;

FIG. 12 is a right side elevational view thereof;

FIG. 13 is a top plan view thereof; and

FIG. 14 is a bottom plan view thereof.

FIG. 15 is a perspective view of a third embodiment of an  
arithmetic and control unit showing my new design;

FIG. 16 is a front elevational view thereof;

FIG. 17 is a rear elevation view thereof;

FIG. 18 is a left side elevational view thereof;

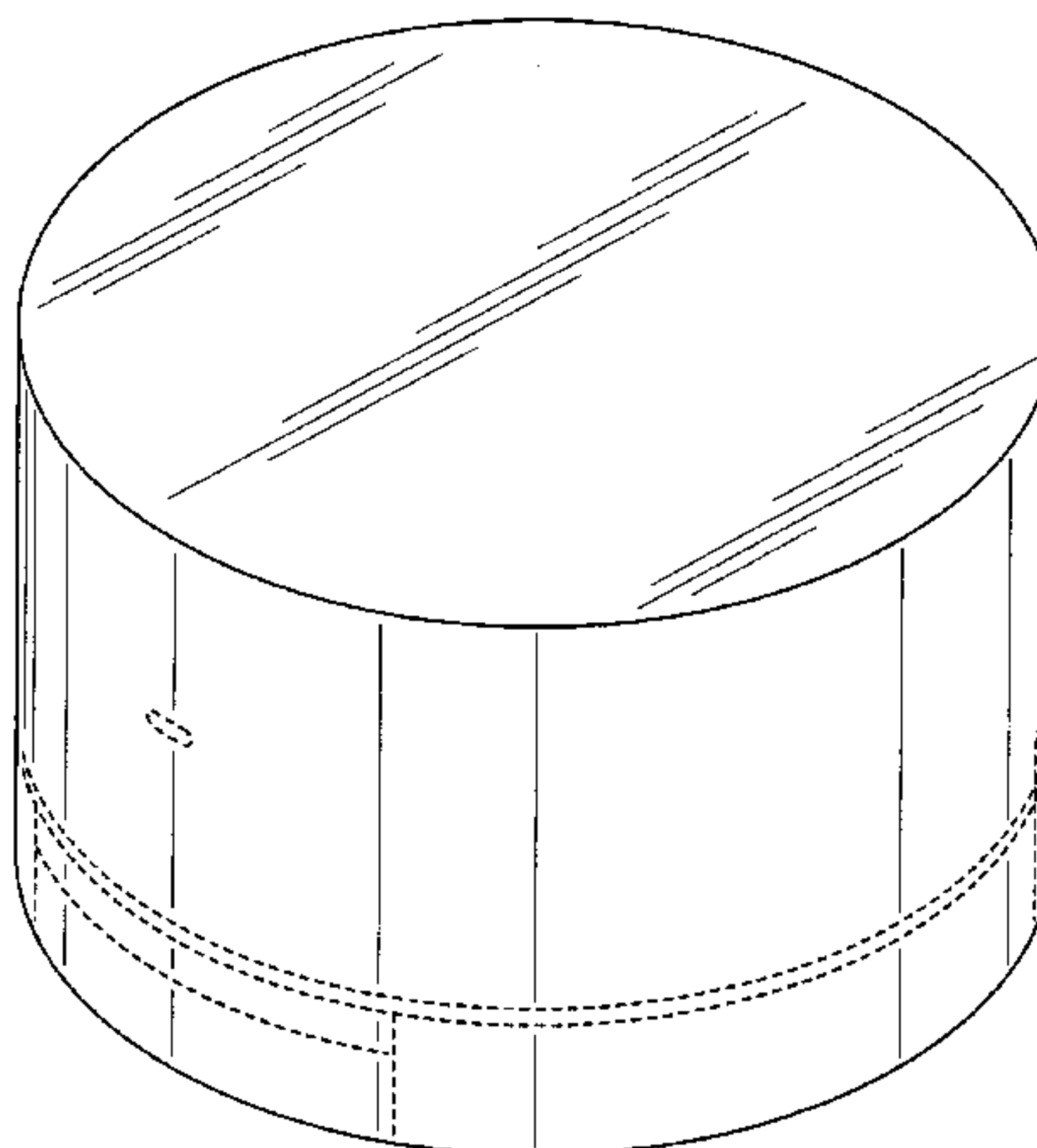
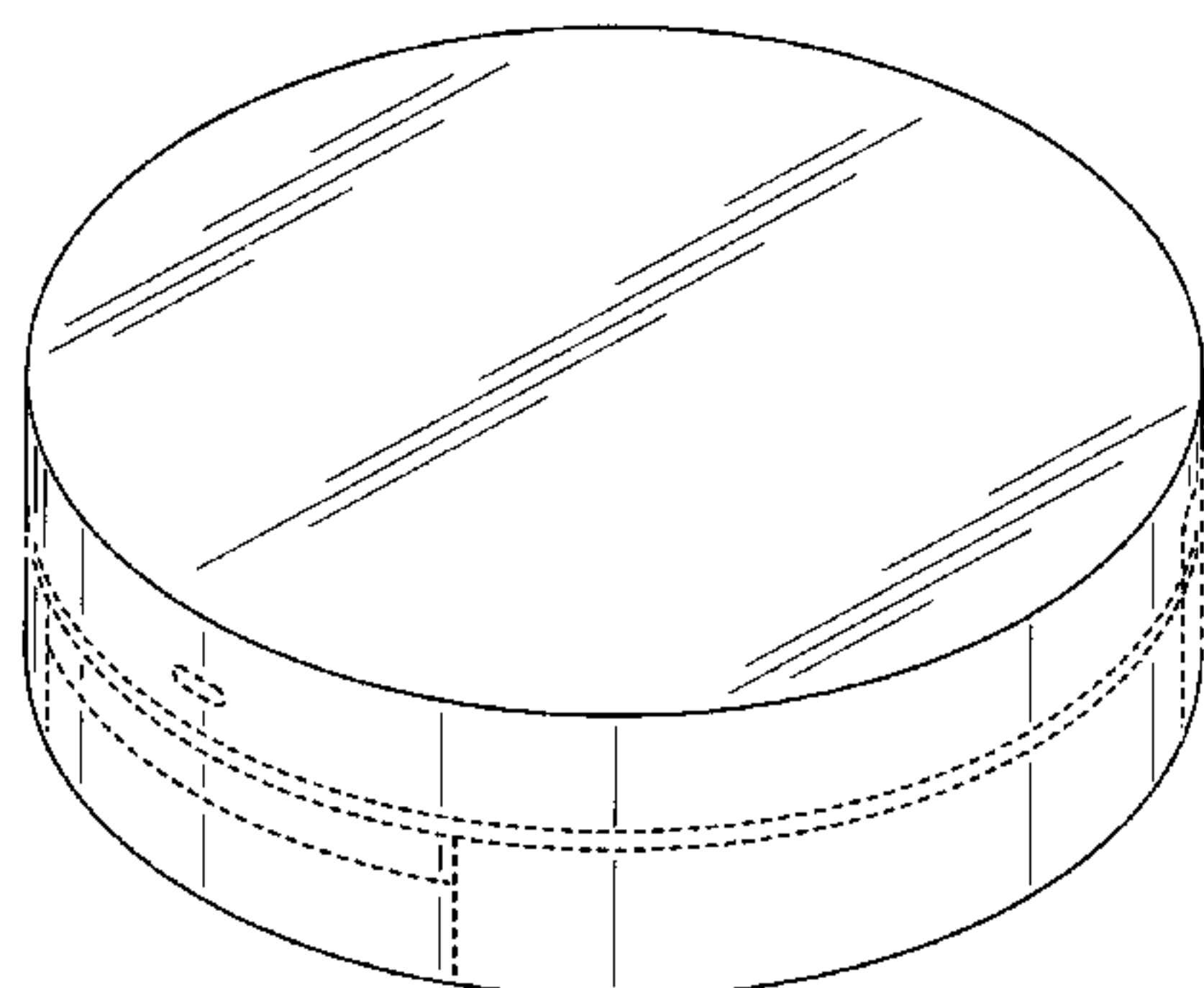
FIG. 19 is a right side elevational view thereof;

FIG. 20 is a top plan view thereof; and,

FIG. 21 is a bottom plan view thereof.

The broken lines represent various portions of the design and  
form no part of the claim. The dot-dash broken lines represent  
the boundaries of the design. None of the broken lines form  
any part of the claimed design.

**1 Claim, 21 Drawing Sheets**



# US D581,927 S

Page 2

## U.S. PATENT DOCUMENTS

D308,521 S \* 6/1990 Lonczak ..... D14/230  
D317,132 S \* 5/1991 Knipfer et al. .... D10/65  
D346,170 S \* 4/1994 Tang ..... D14/230  
D377,647 S \* 1/1997 Fekete et al. .... D14/436  
D401,592 S \* 11/1998 Nishimura et al. .... D14/230  
D412,331 S \* 7/1999 Nakamura ..... D14/155  
D414,476 S 9/1999 Hibino  
D418,142 S \* 12/1999 Liimatainen et al. .... D14/230  
D451,924 S \* 12/2001 Chu ..... D14/436  
D453,329 S \* 2/2002 Muramatsu ..... D14/230  
D456,807 S \* 5/2002 Floyd ..... D14/363  
D475,035 S 5/2003 Takagi  
D498,738 S 11/2004 Matsuoka  
D501,468 S \* 2/2005 Wang ..... D14/235  
D504,882 S \* 5/2005 Bhavnani ..... D14/188  
D507,789 S \* 7/2005 Mangano ..... D14/168

D509,825 S 9/2005 Chen  
D519,979 S 5/2006 Suzuki  
D537,409 S \* 2/2007 Suzuki ..... D13/108  
2008/0010405 A1\* 1/2008 Allen et al. .... 711/115

## OTHER PUBLICATIONS

“Windows Home Server: Up Close And Personal”, CrunchGear, Web Archive, [online] Jan. 12, 2007 [retrieved on Dec. 3, 2007]. Retrieved from the Internet < URL: <http://web.archive.org/web/20070112145420/http://crunchgear.com/2007/01/08/windows-home-server-up-close-and-personal/>>.\*

Kapsel.com [online], [retrieved on Nov. 27, 2006]. Retrieved from the Internet <URL: <http://www.kapsel.com/default.asp?mall=scroll&menu=press&pil=on&streck=on>>.\*

\* cited by examiner

Fig. 1

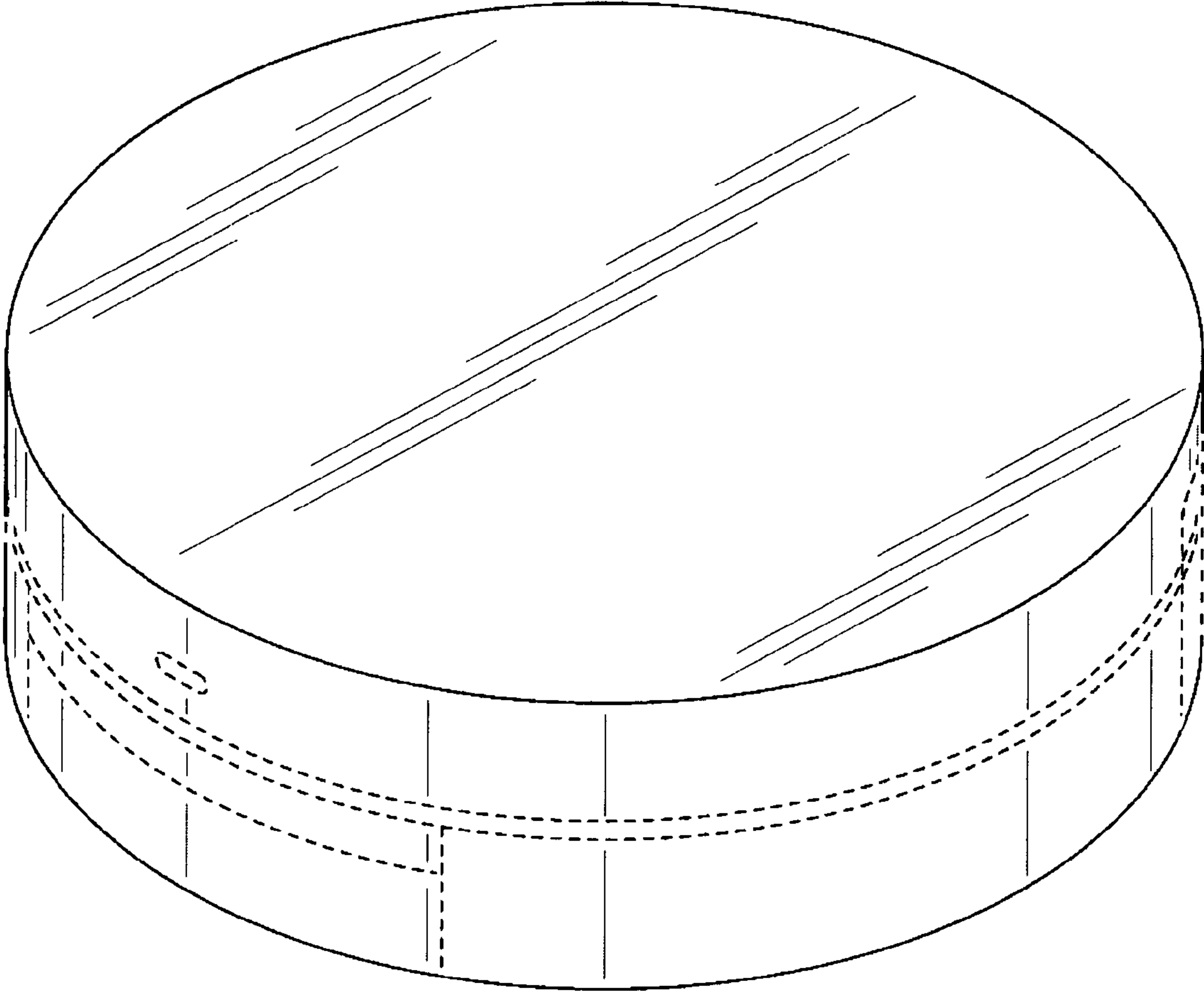


Fig.2

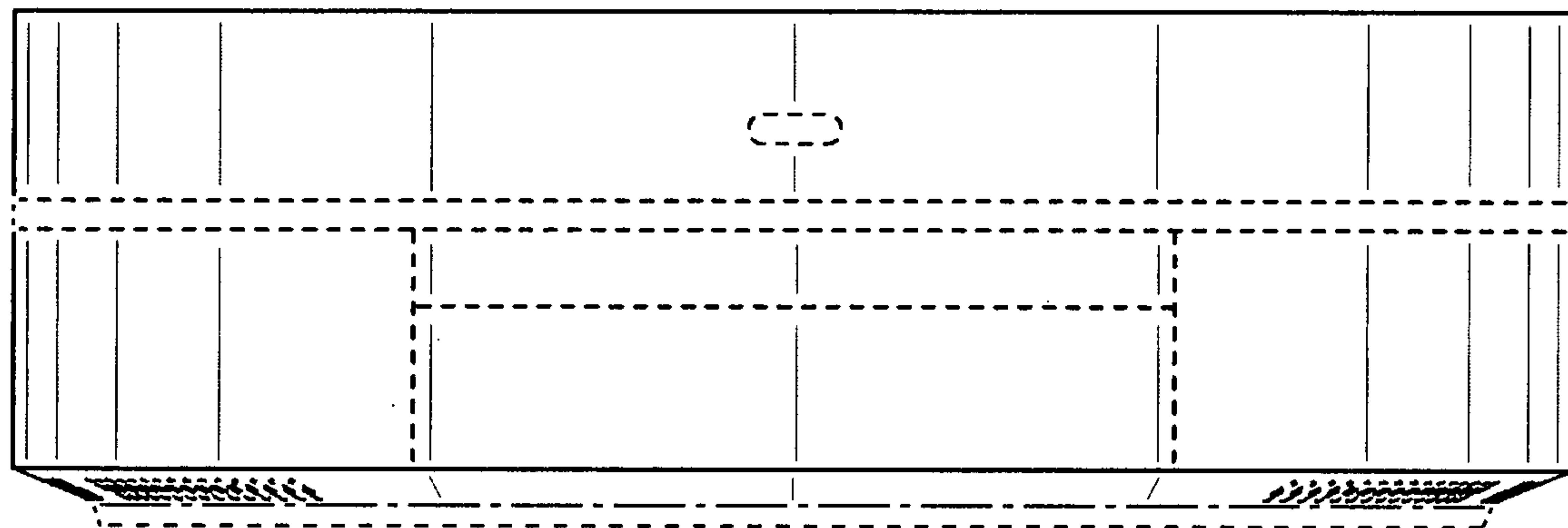


Fig.3

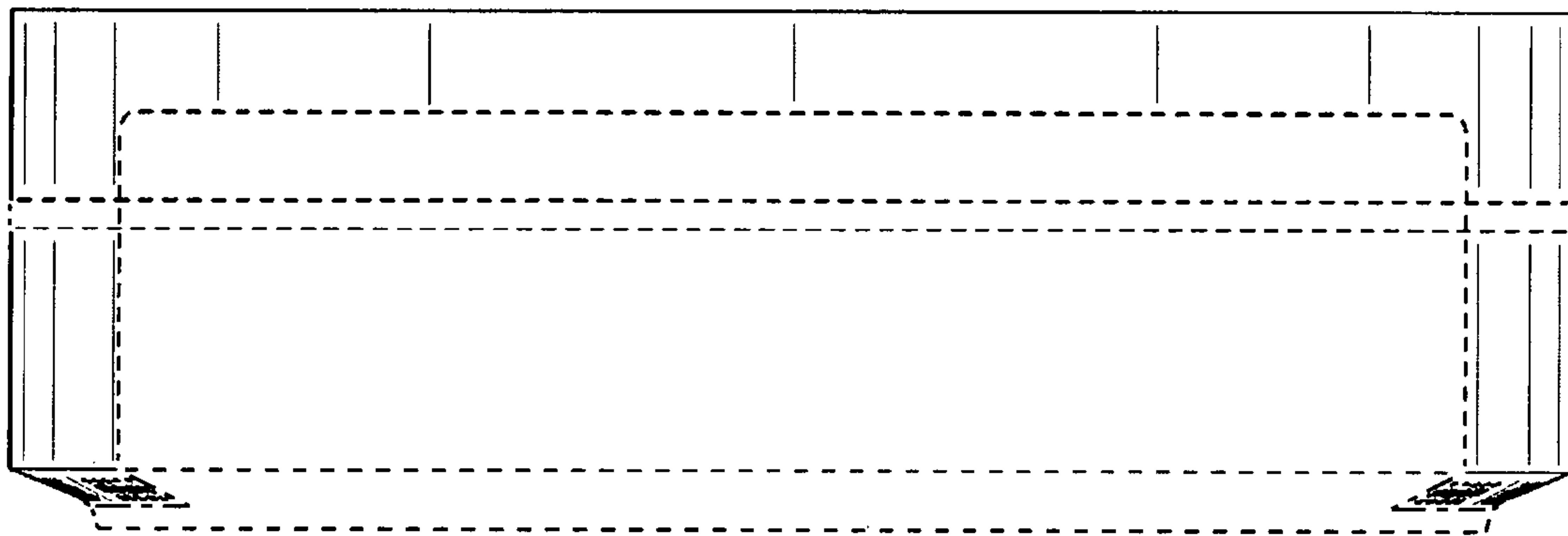


Fig.4

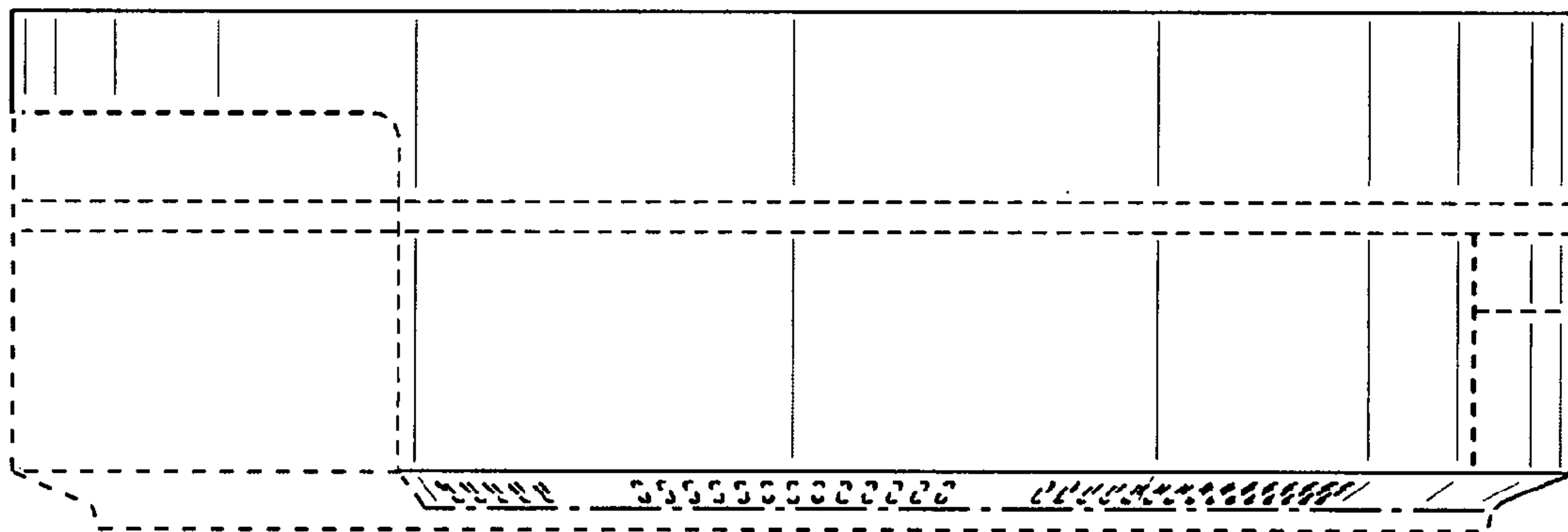


Fig.5

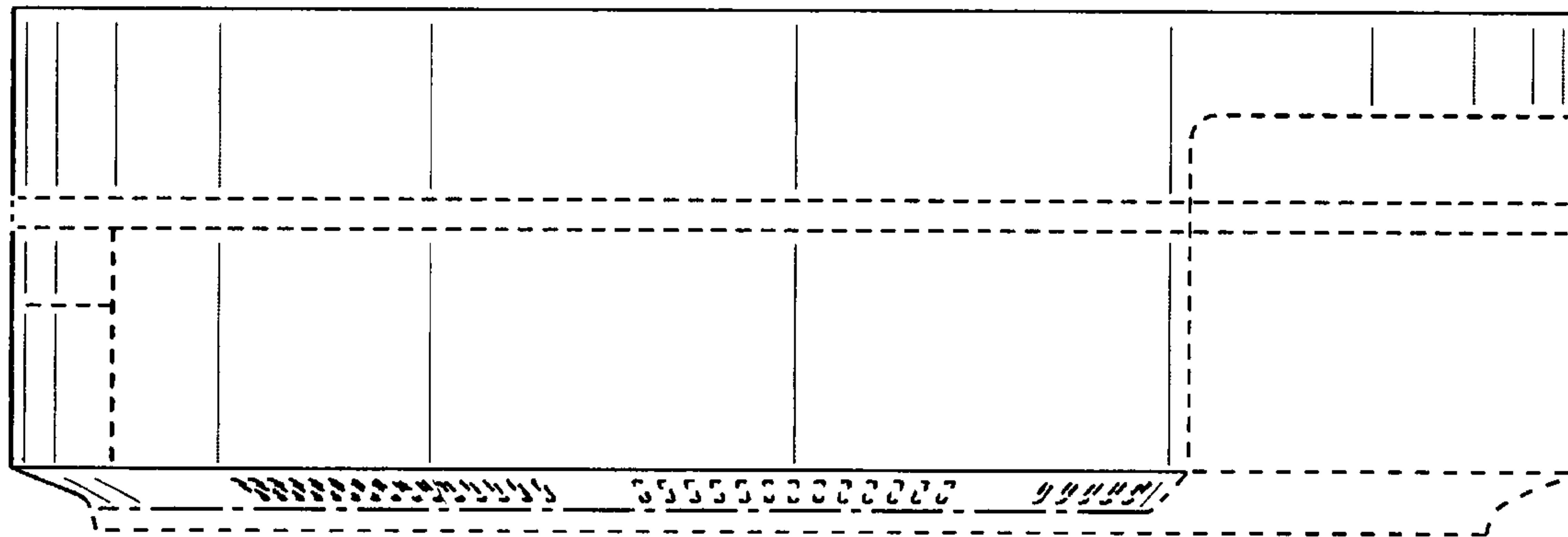




Fig.6

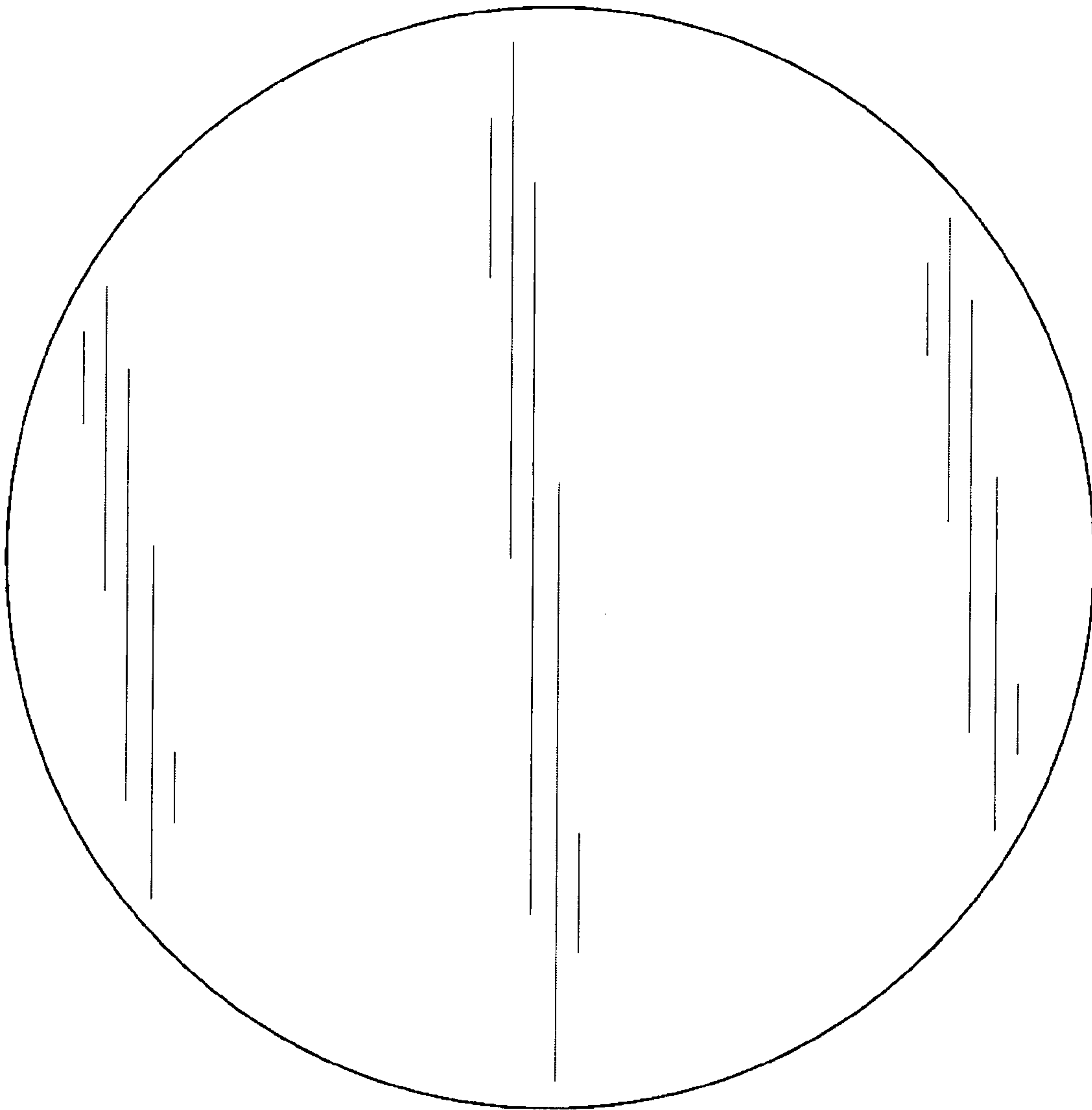




Fig.7

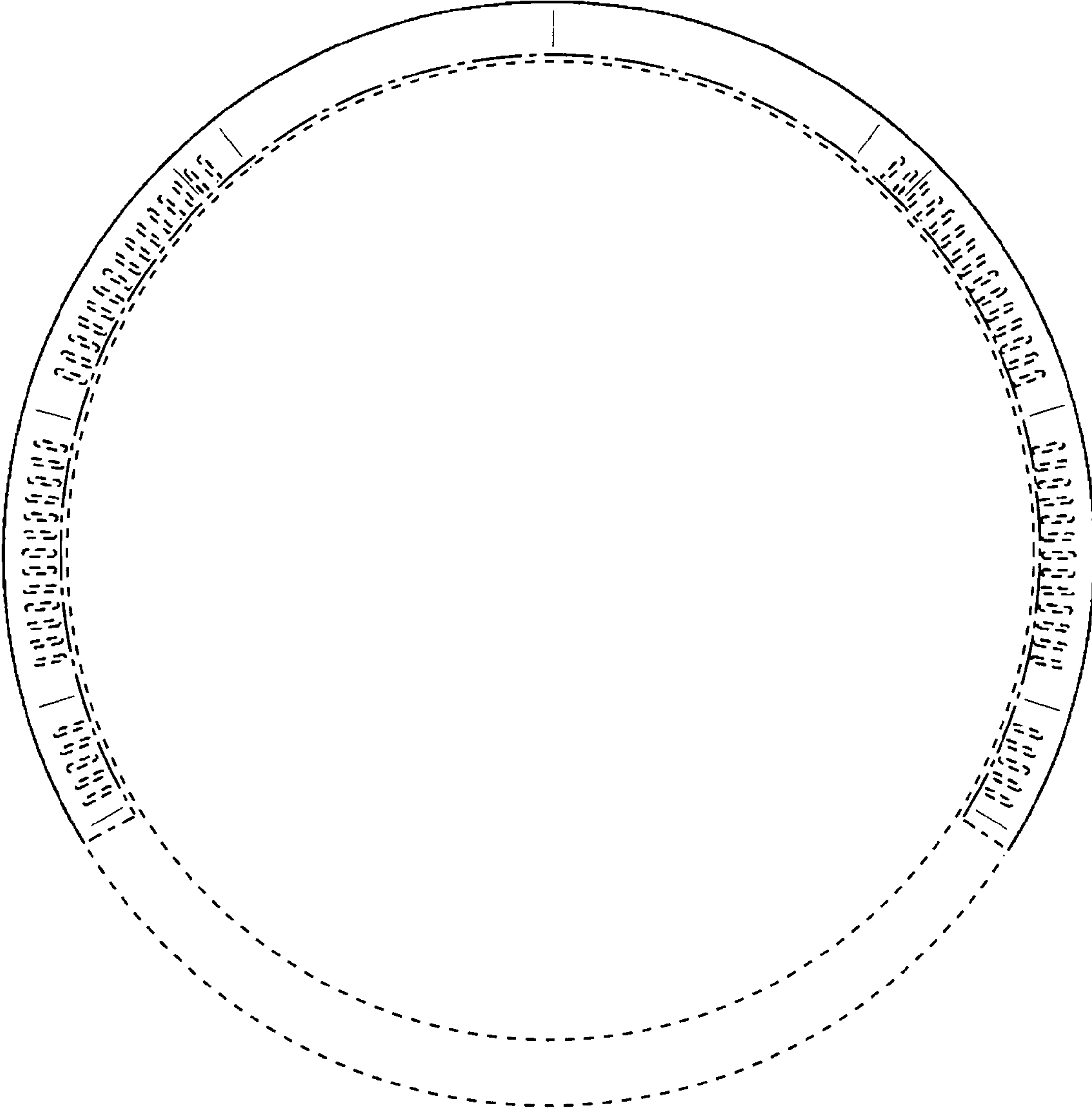


Fig.8

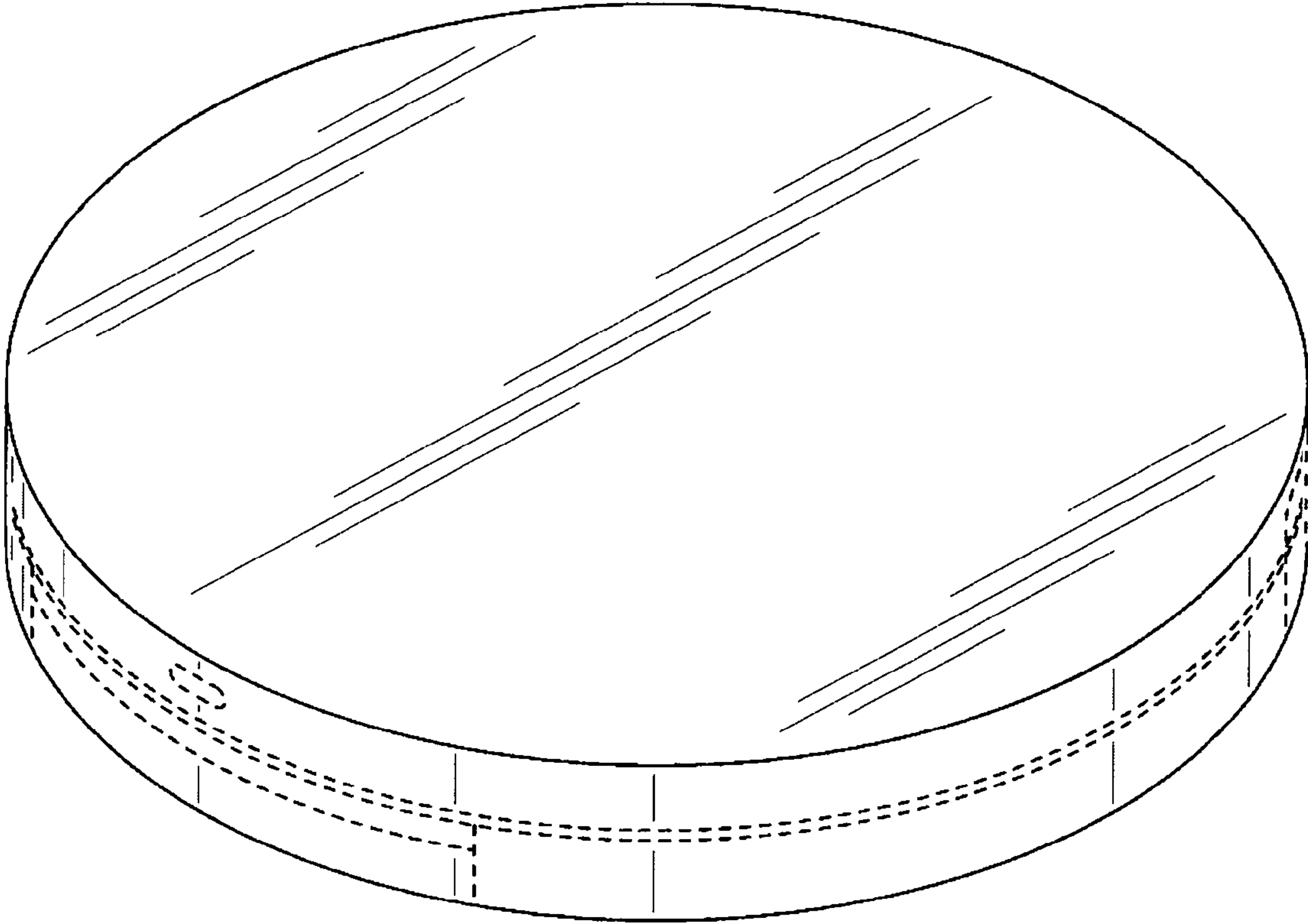


Fig.9

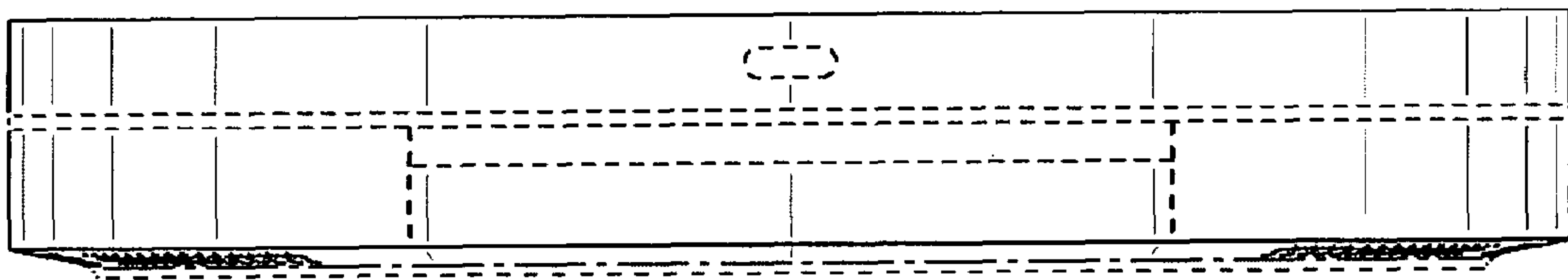


Fig.10

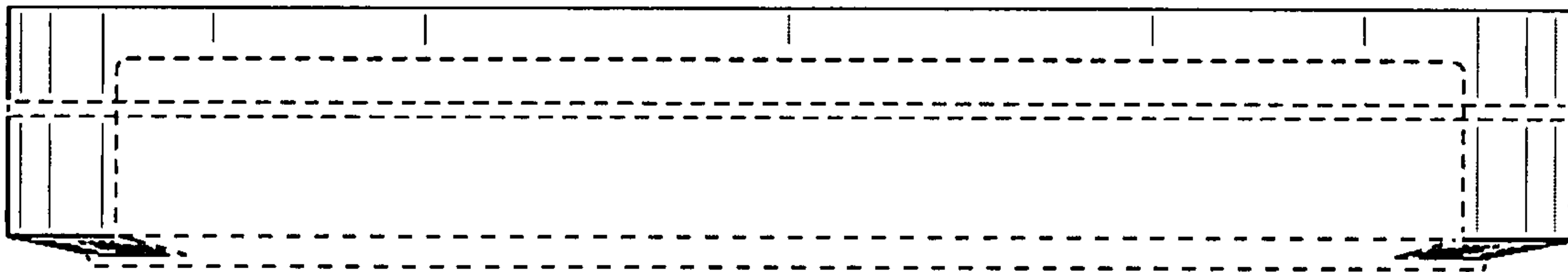


Fig.11

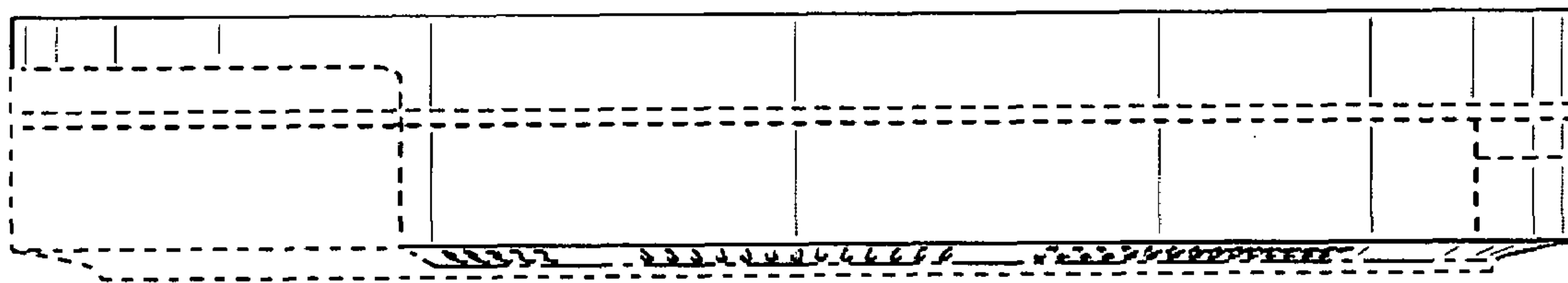


Fig.12

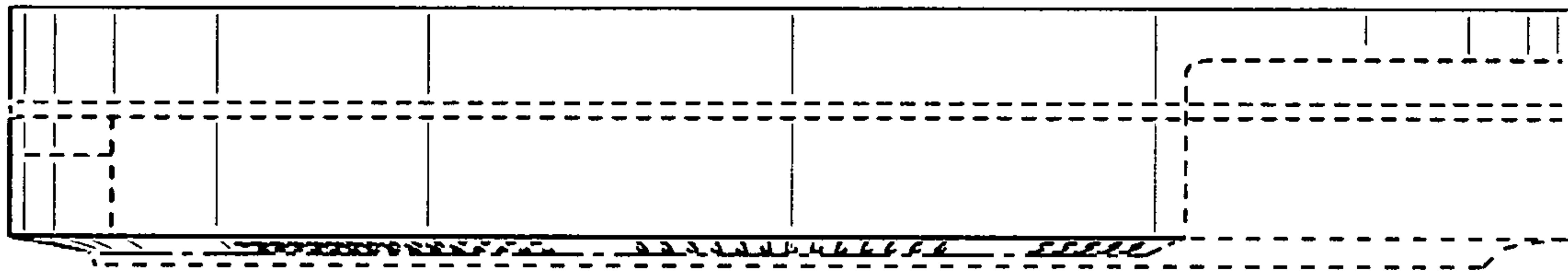


Fig.13

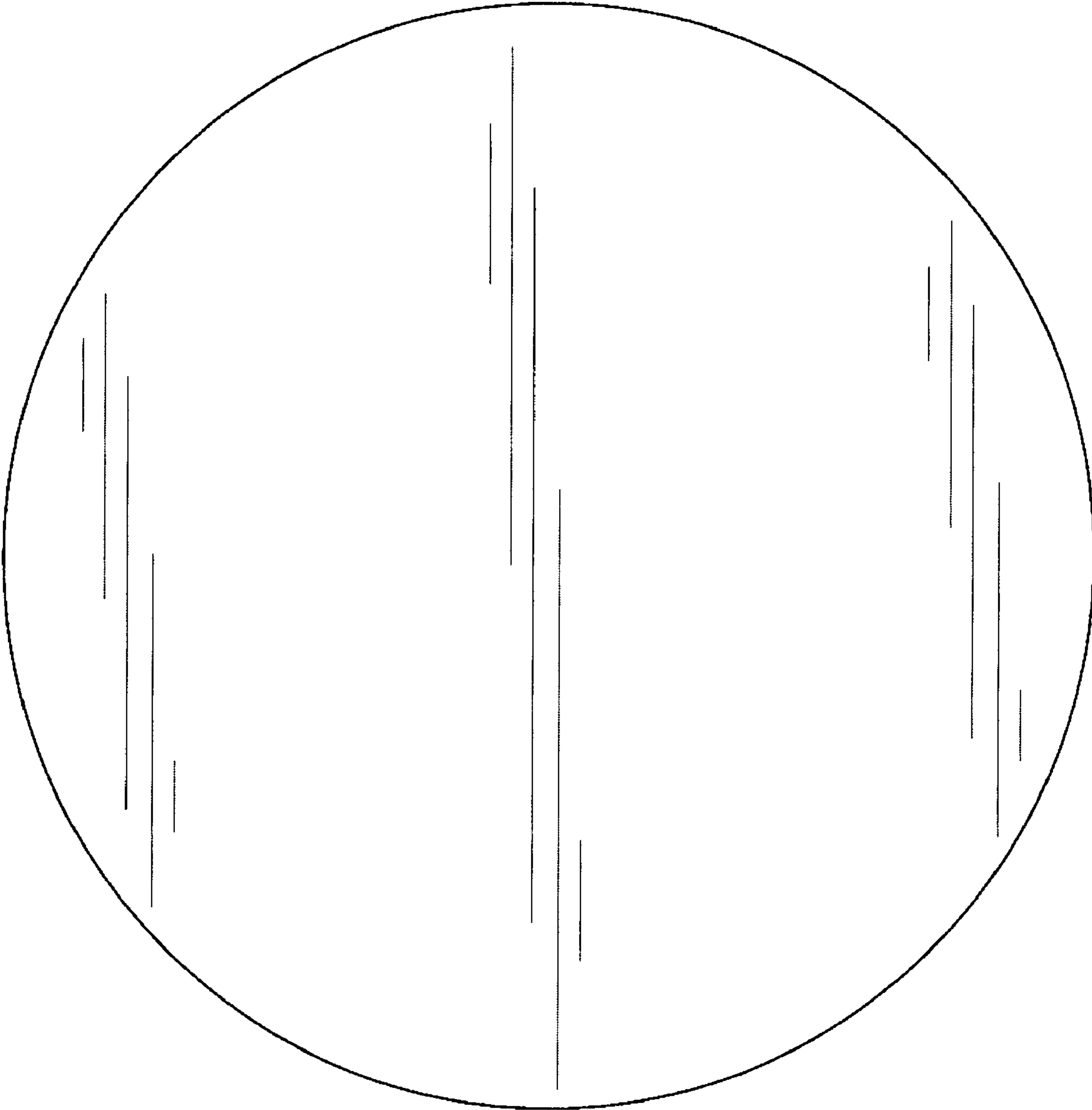




Fig.14

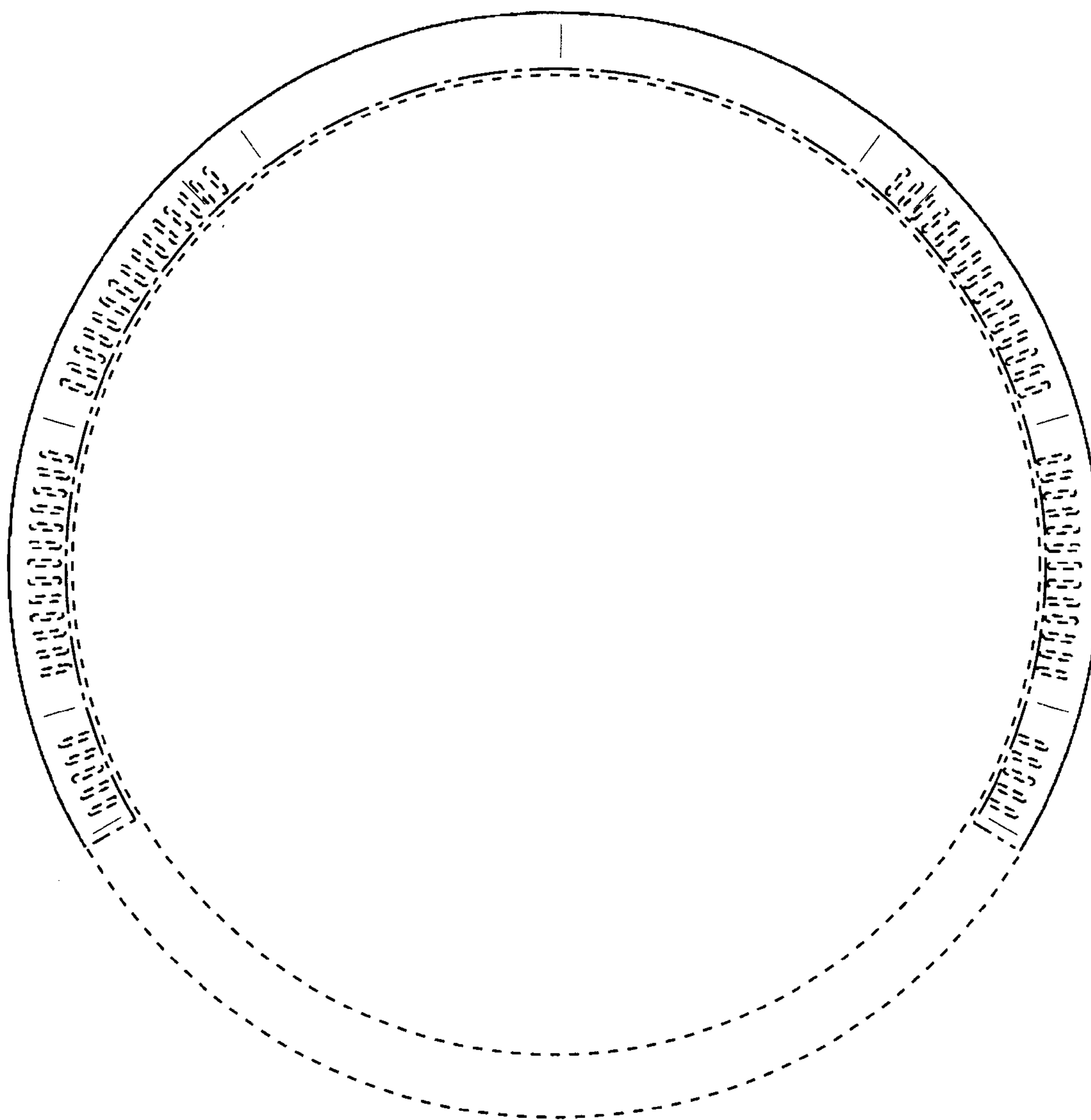


Fig.15

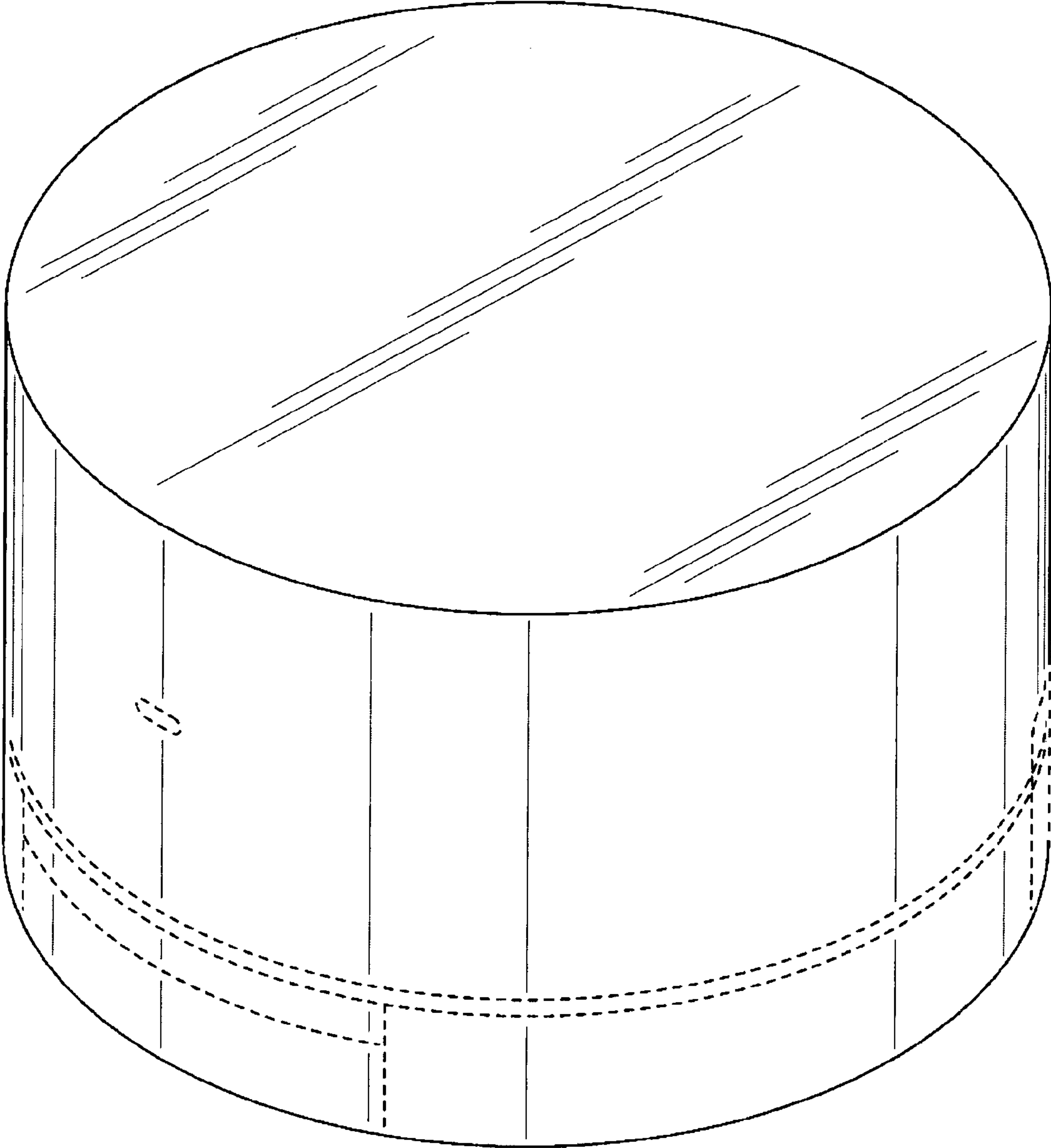


Fig.16

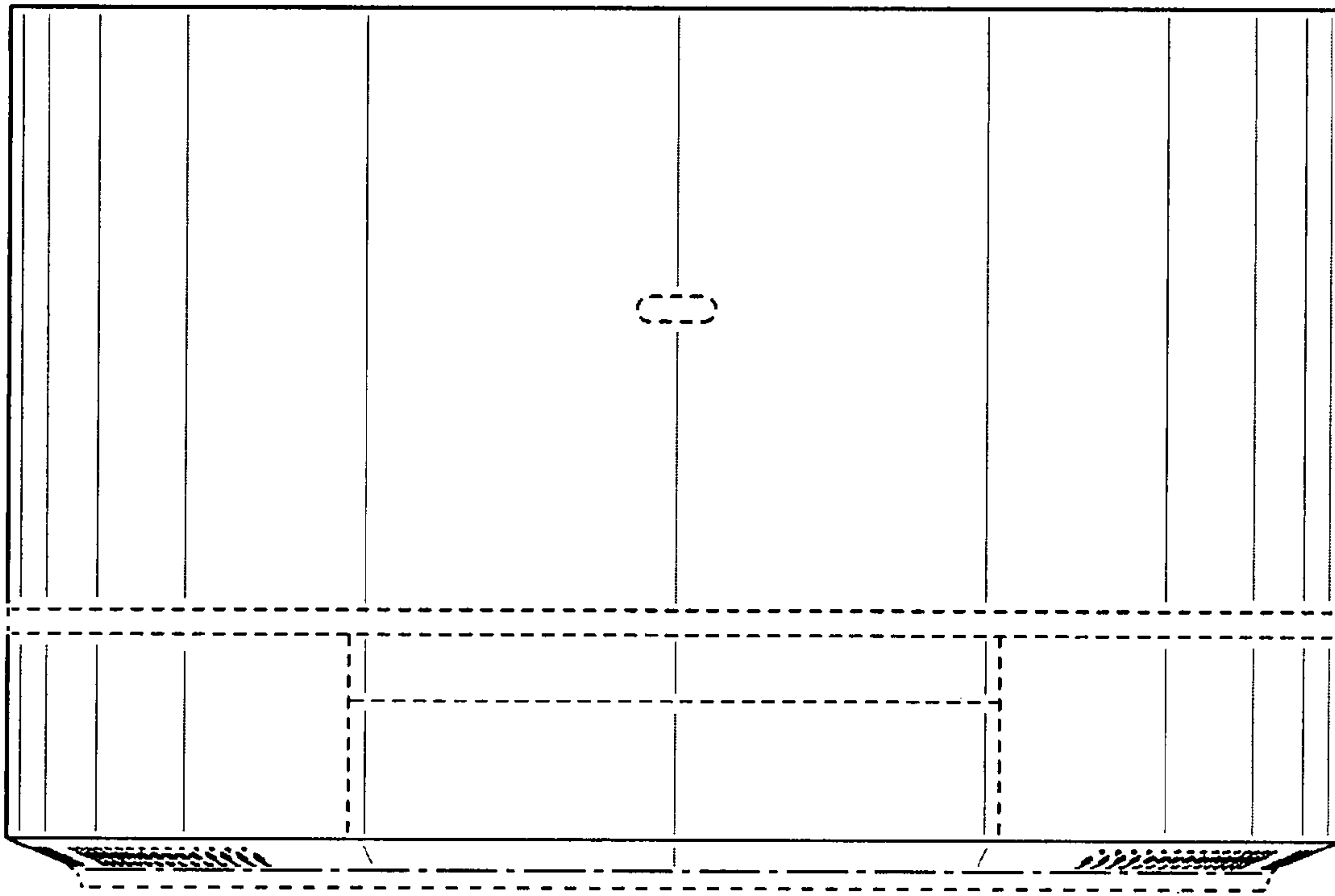


Fig.17

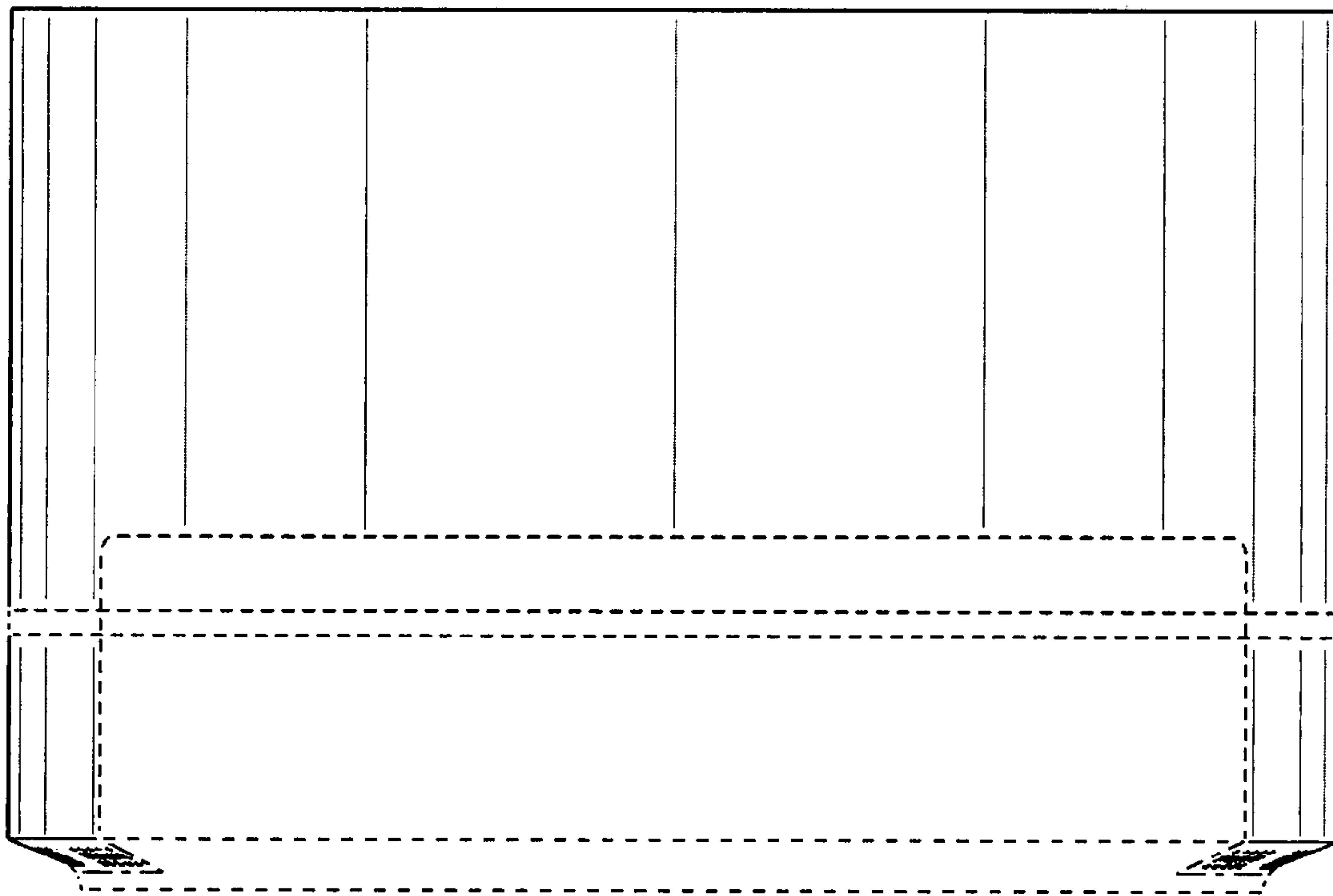


Fig.18

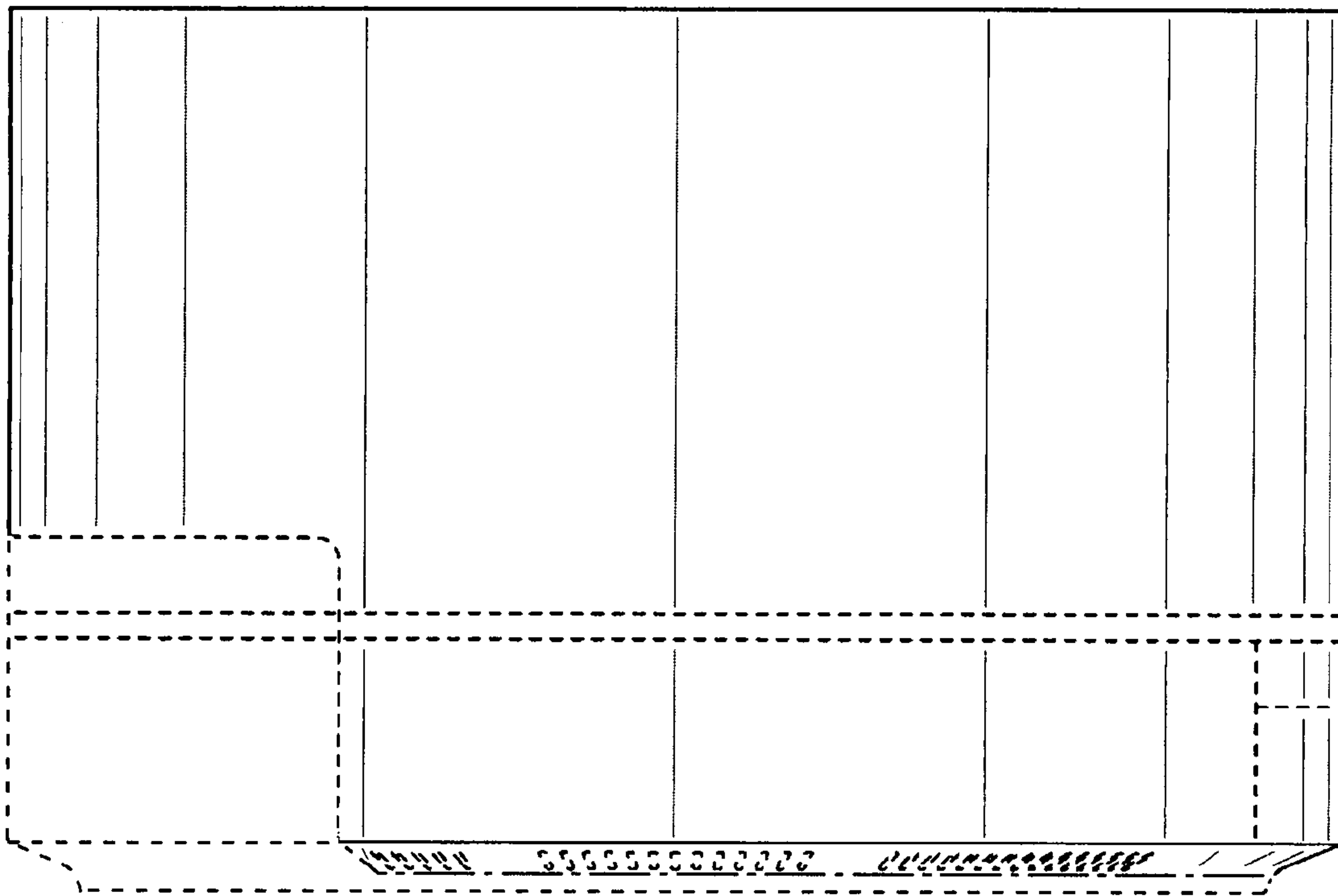


Fig.19

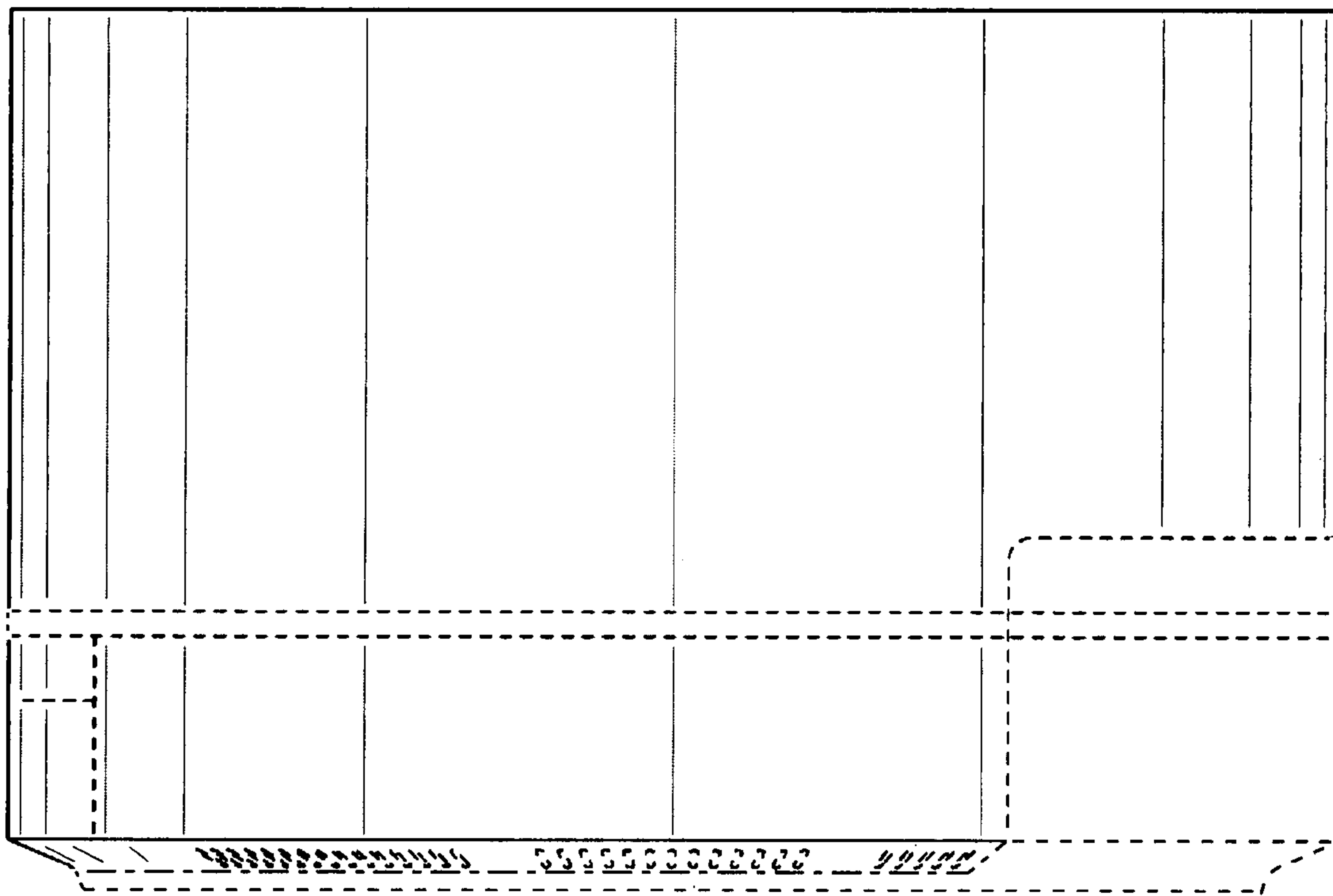


Fig.20

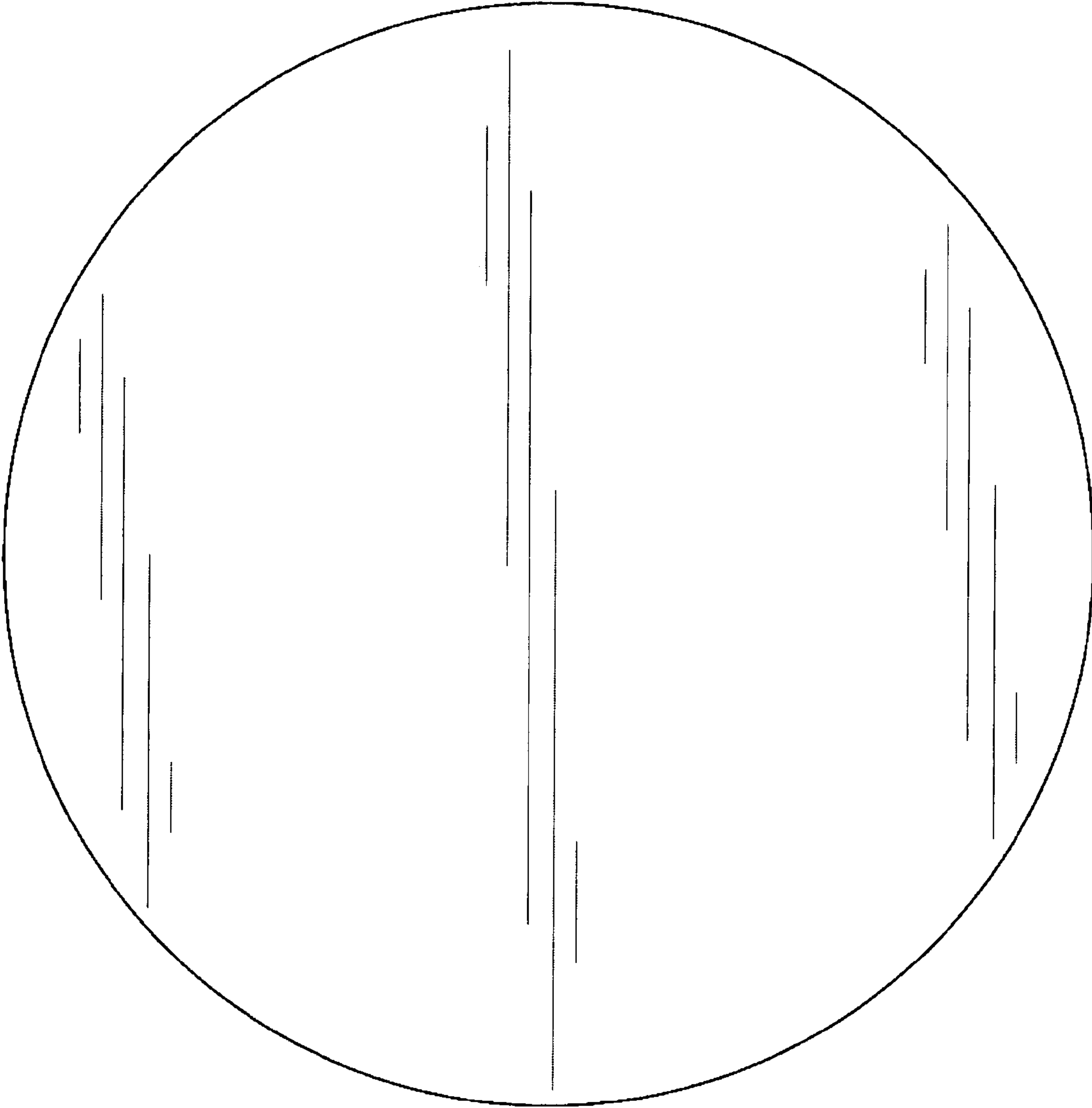




Fig.21

