



US00D581926S

(12) **United States Design Patent**  
**Kim**

(10) **Patent No.:** **US D581,926 S**  
(45) **Date of Patent:** **\*\* Dec. 2, 2008**

(54) **STORAGE DEVICE**

(75) Inventor: **Hyekyung (Sophia) Kim**, Lathrop, CA (US)

(73) Assignee: **Micron Technology, Inc.**, Boise, ID (US)

(\*\*) Term: **14 Years**

(21) Appl. No.: **29/285,838**

(22) Filed: **Apr. 12, 2007**

(51) **LOC (8) Cl.** ..... **14-02**

(52) **U.S. Cl.** ..... **D14/356**

(58) **Field of Classification Search** ..... D14/411,  
D14/384–385, 518, 348, 432–436, 299, 167,  
D14/402, 242, 356, 358, 496, 156, 240; 455/344;  
710/300–301; 361/684–686; 439/518, 139–141,  
439/131, 607, 133; 365/63

See application file for complete search history.

(56) **References Cited**

**U.S. PATENT DOCUMENTS**

D444,788 S *	7/2001	Do et al.	.....	D14/433
D487,458 S *	3/2004	Gentil et al.	.....	D14/356
6,758,689 B1 *	7/2004	Bair et al.	.....	439/136
6,926,544 B2 *	8/2005	Lee	.....	439/147
6,932,629 B2 *	8/2005	Ikenoue	.....	439/136
D510,928 S *	10/2005	Bair et al.	.....	D14/230
D520,995 S *	5/2006	Chang	.....	D14/356
7,275,941 B1 *	10/2007	Bushby	.....	439/133
D556,195 S *	11/2007	Lin	.....	D14/356
D556,196 S *	11/2007	Cheng	.....	D14/356
7,295,431 B2 *	11/2007	Chuang	.....	439/131
D556,751 S *	12/2007	Rambosek et al.	.....	D14/356
D566,114 S *	4/2008	Chu	.....	D14/356

**OTHER PUBLICATIONS**

The Definitive Flash Drive Collection : Plastic—Web Archive, [Online] Oct. 28, 2005 [retrieved on Jul. 6, 2007]. Retrieved from the

Internet <URL: <http://web.archive.org/web/20051028160915/http://www.thedefinitiveflashdrivecollection.com/plastic-heart.html>>.\*  
Imation flash drive [online], [retrieved on Dec. 4, 2006]. Retrieved from the Internet <URL: <http://www.sosoft.net/product/imation/5464-3.png>>.\*

(Continued)

*Primary Examiner*—Robin V. Webster

*Assistant Examiner*—Karen E Kearney

(74) *Attorney, Agent, or Firm*—Leffert, Jay & Polglaze P.A.

(57) **CLAIM**

The ornamental design for a storage device, as shown and described.

**DESCRIPTION**

FIG. 1 is a top perspective view of the storage device in a non-operational configuration;

FIG. 2 is a rear view of the storage device in the non-operational configuration;

FIG. 3 is a top view of the storage device in the non-operational configuration, the bottom being a mirror image thereof;

FIG. 4 is a right-side view of the storage device in the non-operational configuration;

FIG. 5 is a front view of the storage device in the non-operational configuration;

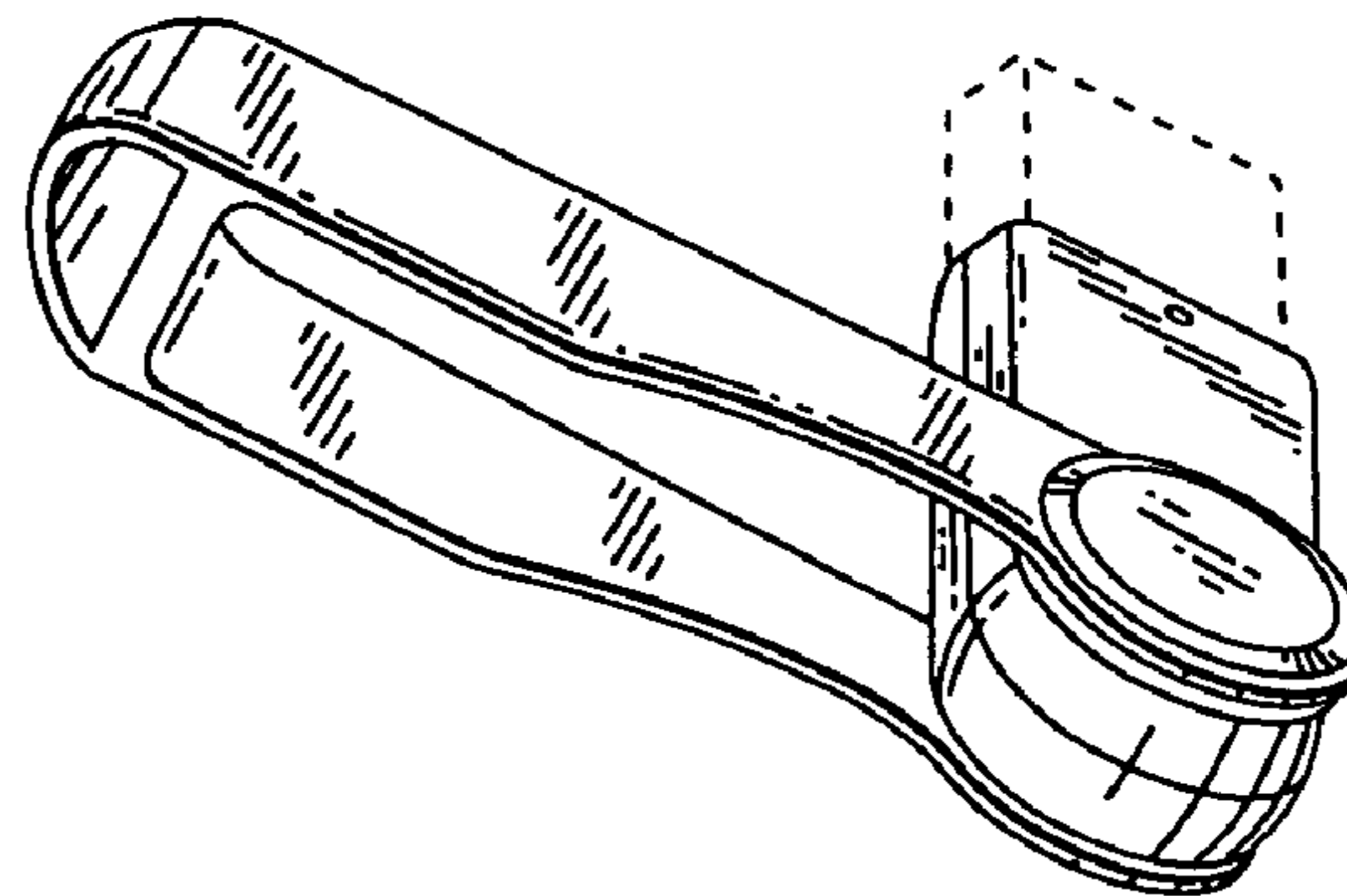
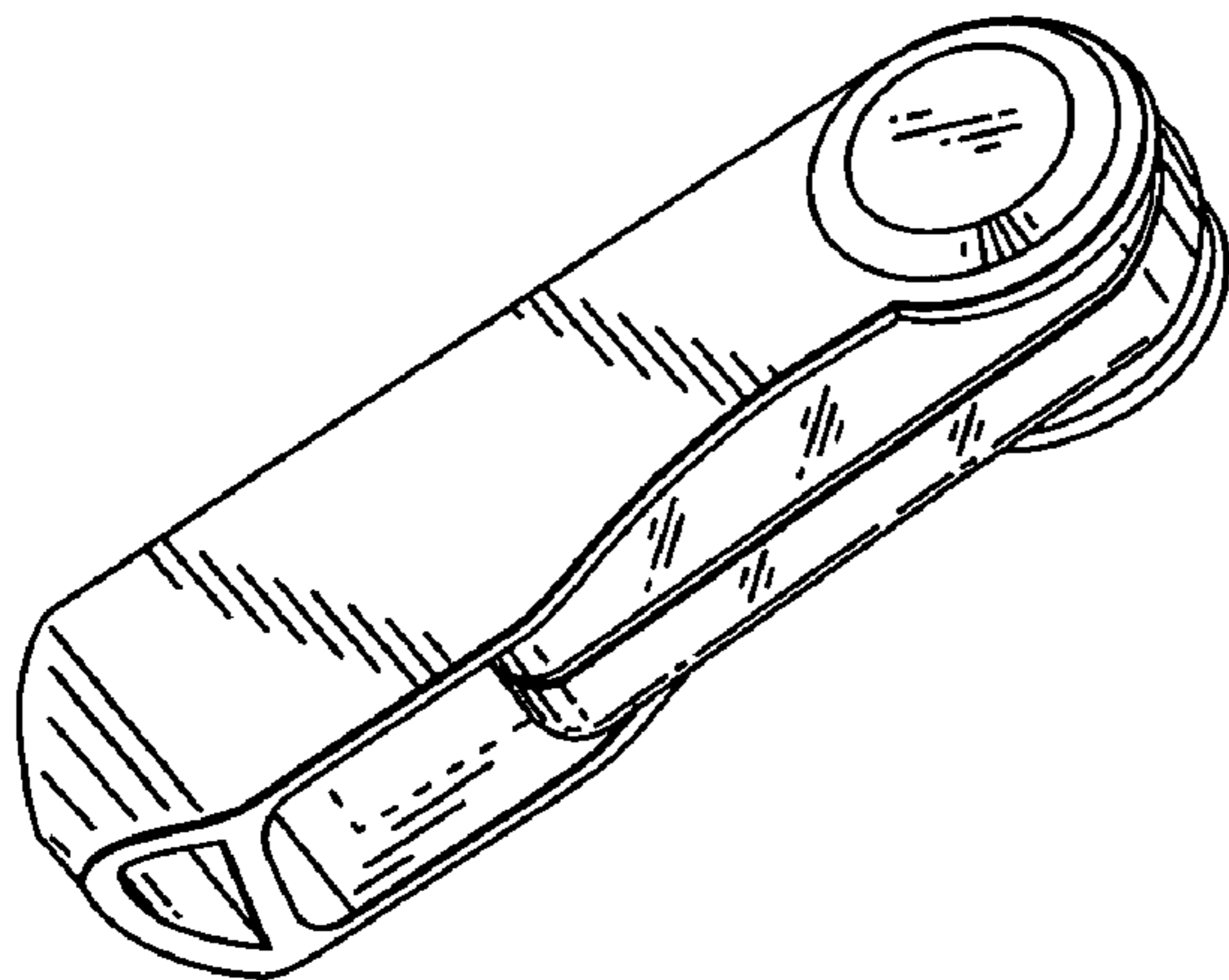
FIG. 6 is a left-side view of the storage device in the non-operational configuration;

FIG. 7 is a top view of the storage device in an operational configuration, the bottom being a mirror image thereof; and,

FIG. 8 is a bottom perspective view of the storage device in another operational configuration.

The broken-line showing of a Universal Serial Bus (USB) male connector in the various figures is for environmental purposes only and forms no part of the claimed design.

**1 Claim, 2 Drawing Sheets**



## US D581,926 S

Page 2

---

Functional Keychains: USB Rechargeable Keychain Light—  
Web Archive, [online] Dec. 26, 2005 [retrieved on Dec. 6,  
2006]. Retrieved from the Internet <URL: <http://web.archive.org/web/20051226115851/http://www.promotionalkey-chains.biz/usb-keychain-light.html>>.\*

Shenzhen E-Power Electronic Co., Ltd., China, p. 3 [online],  
[retrieved on Jul. 6, 2007]. Retrieved from the Internet <URL:

[http://e-power.en.alibaba.com/product/50170854/51011685/USB\\_Flash\\_Drive\\_Di...\\_USB\\_Memory\\_Sticks/U83\\_Fashionable\\_Heart\\_Shape\\_USB\\_Flash\\_Drive/showimg.html](http://e-power.en.alibaba.com/product/50170854/51011685/USB_Flash_Drive_Di..._USB_Memory_Sticks/U83_Fashionable_Heart_Shape_USB_Flash_Drive/showimg.html)>.\*

\* cited by examiner

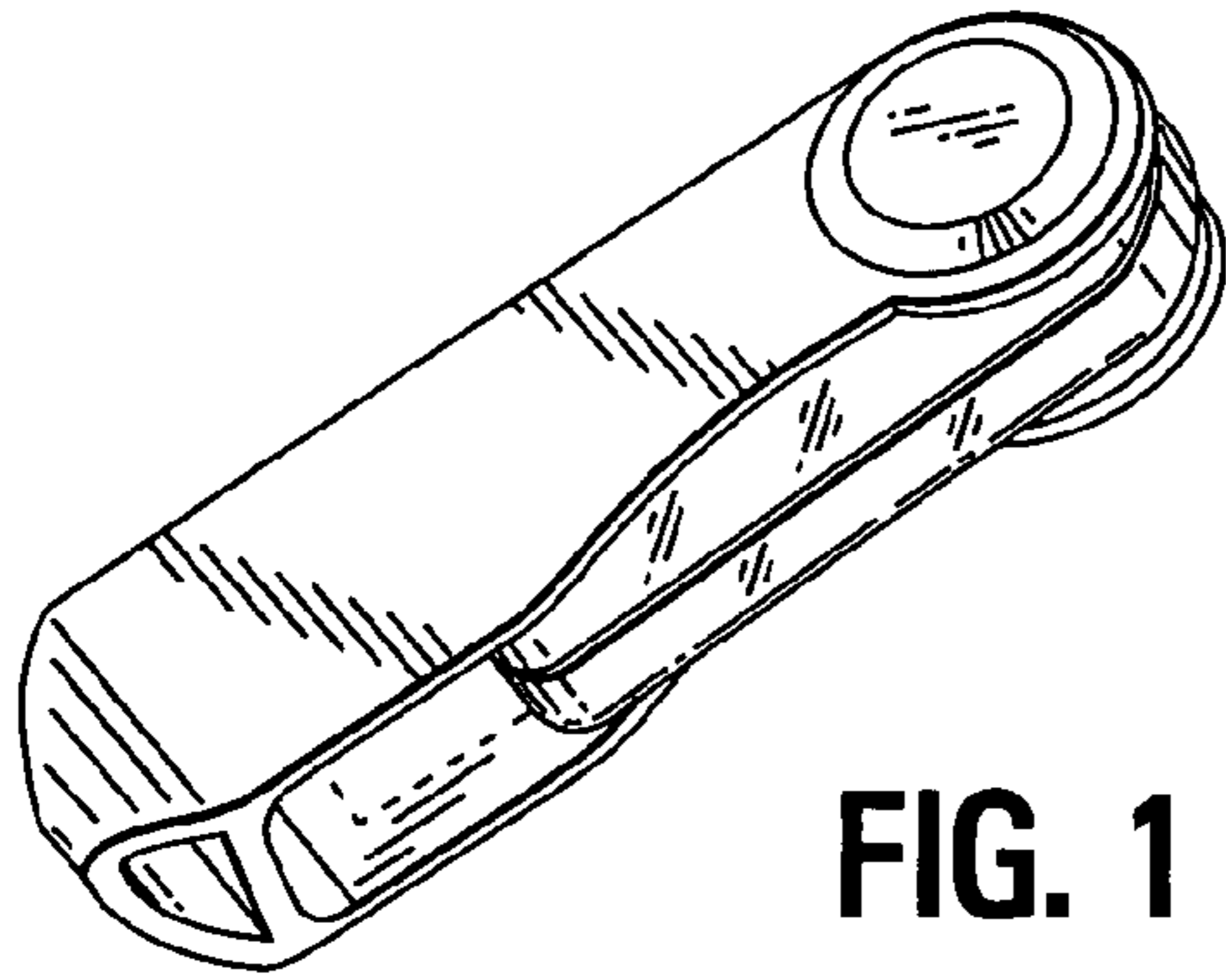


FIG. 1

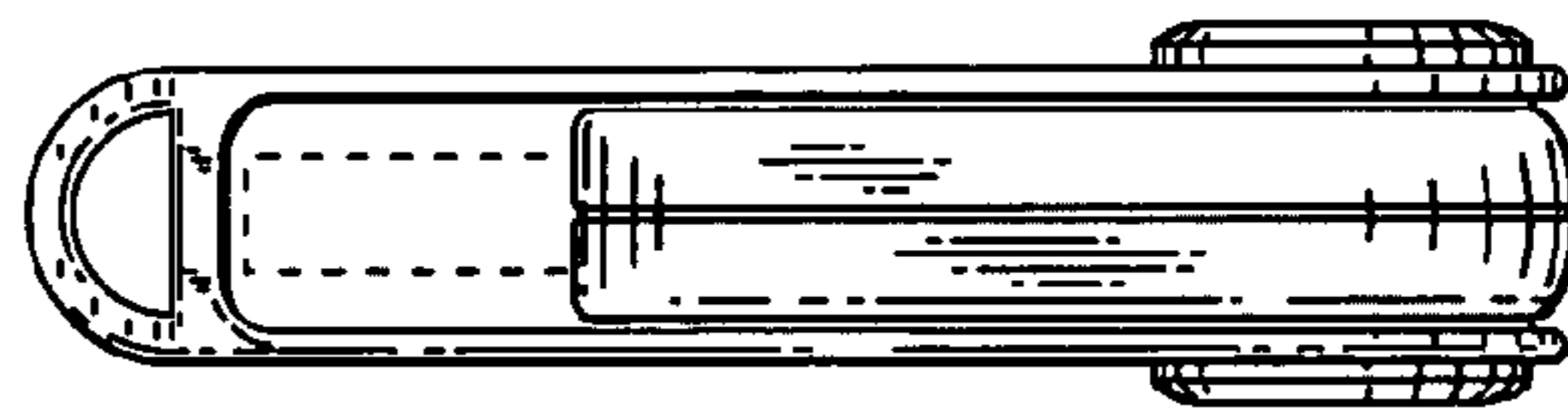


FIG. 2

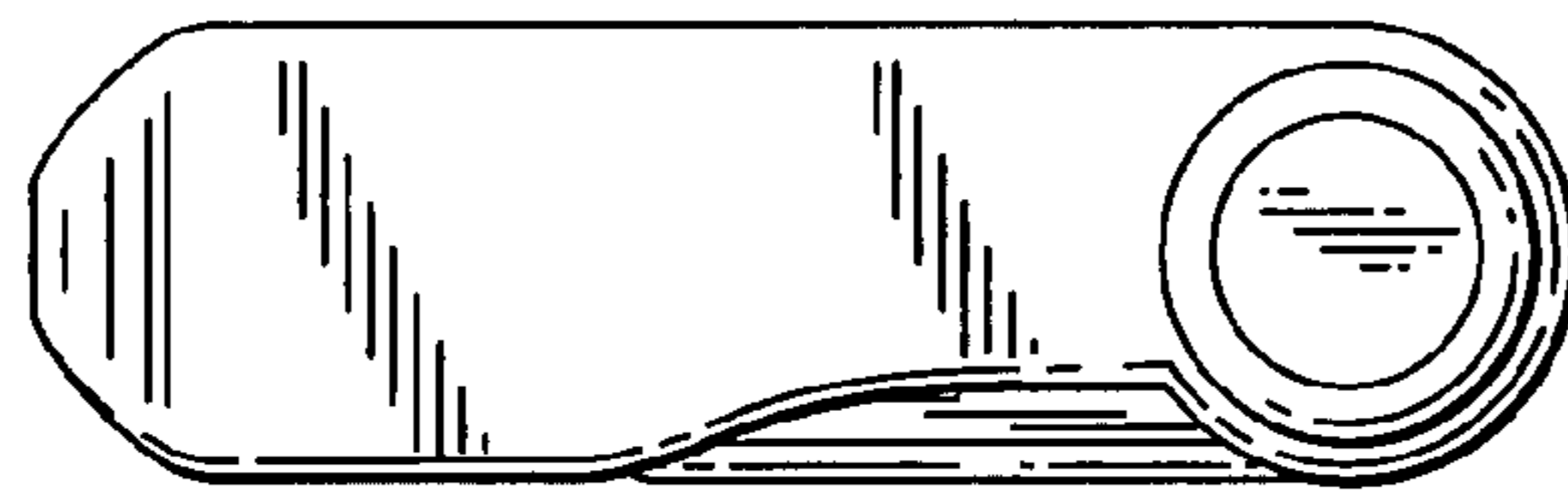


FIG. 3

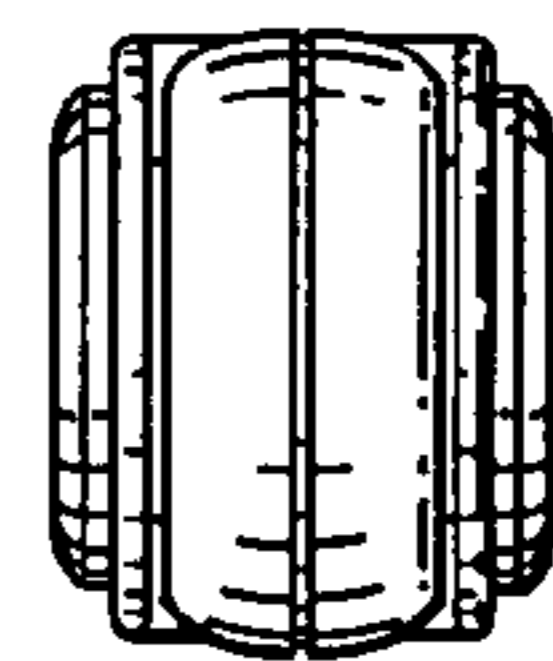


FIG. 4

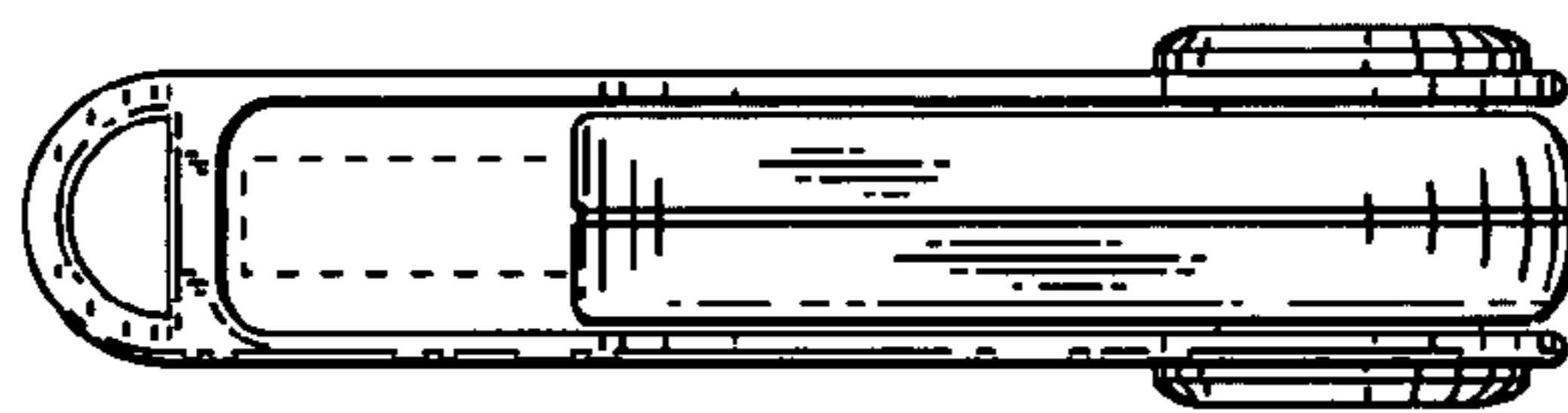


FIG. 5

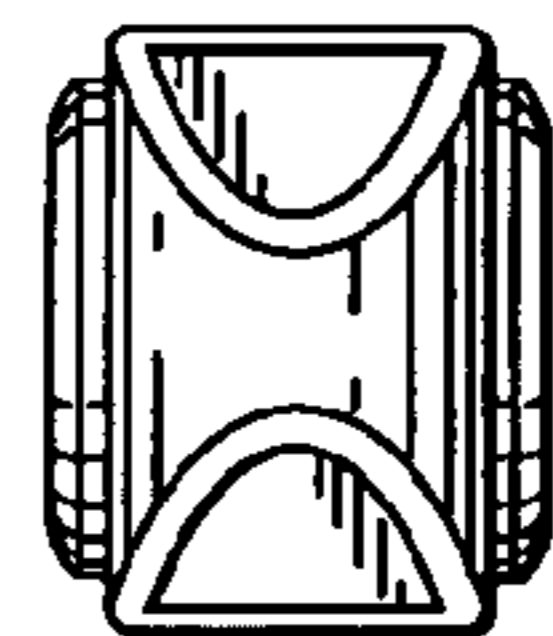
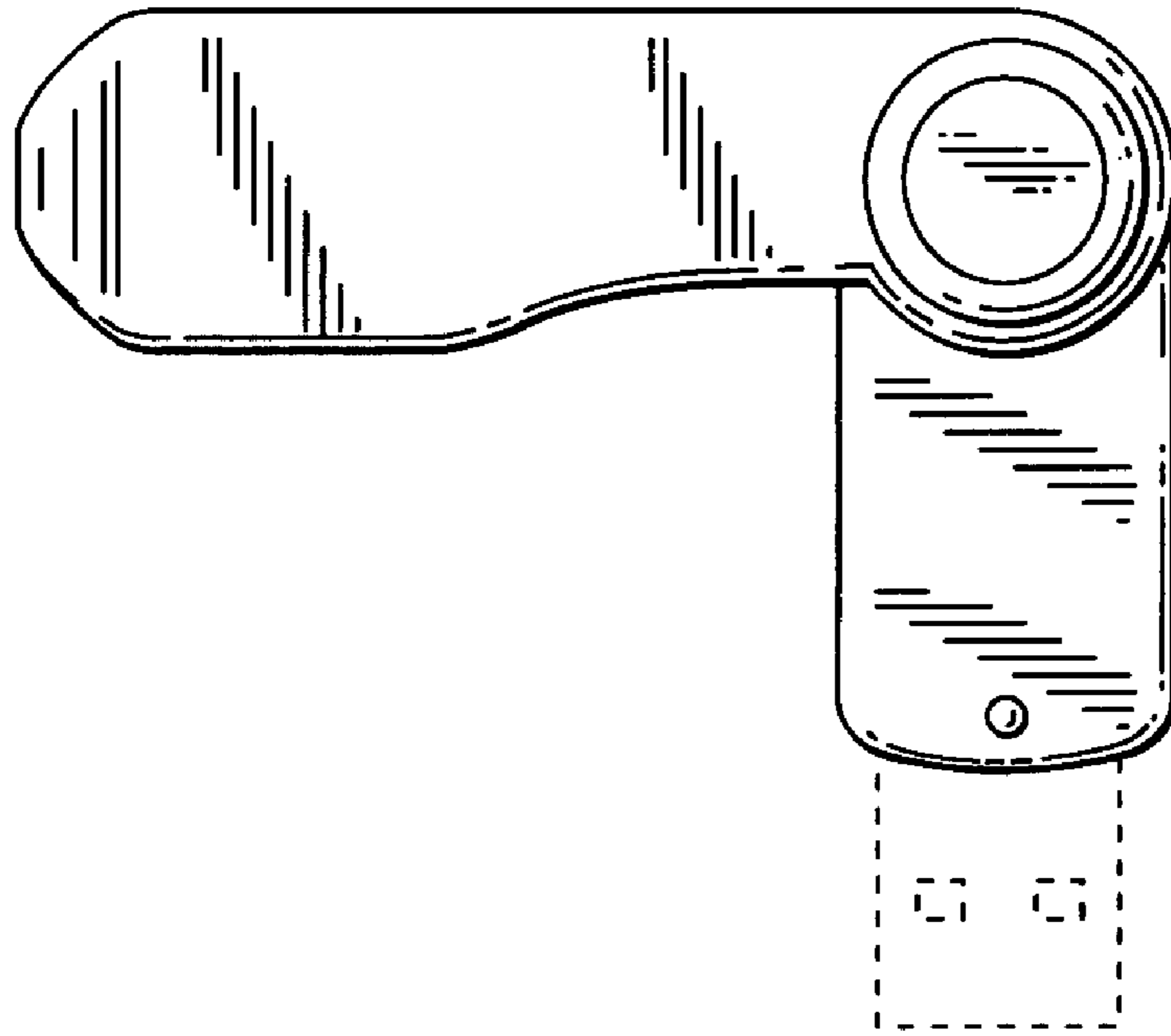
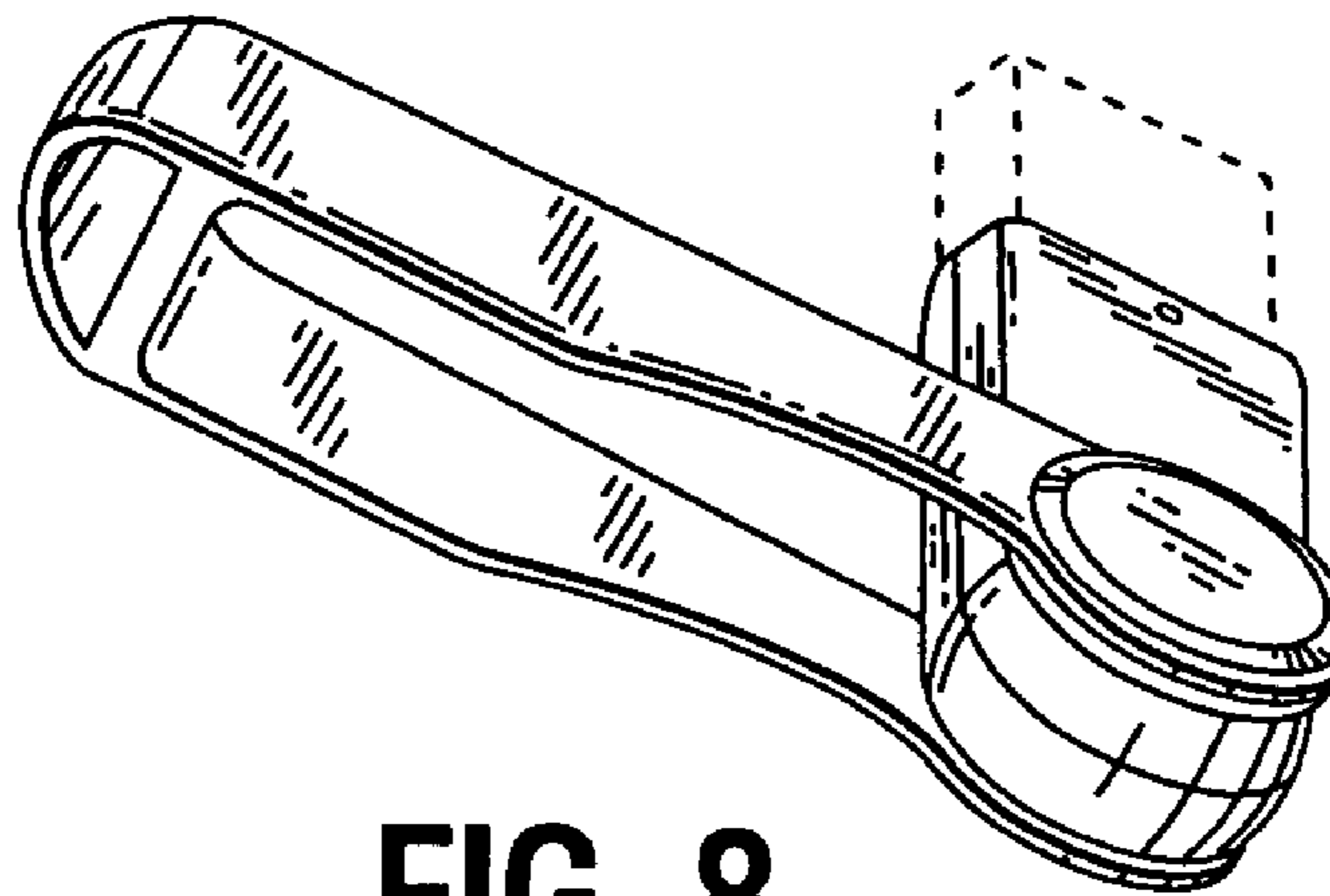


FIG. 6



**FIG. 7**



**FIG. 8**