



US00D581921S

(12) **United States Design Patent**
Kim et al.

(10) **Patent No.:** **US D581,921 S**
(45) **Date of Patent:** **** Dec. 2, 2008**

(54) **MOBILE PERSONAL COMPUTER**

(75) Inventors: **Young-Se Kim**, Palo Alto, CA (US);
Ji-Eun Lee, Seoul (KR); **Young-Ju Yeo**,
Seoul (KR); **Chang-Soo Lee**, Incheon-si
(KR)

(73) Assignee: **Samsung Electronics Co., Ltd.**,
Suwon-Si (KR)

(**) Term: **14 Years**

(21) Appl. No.: **29/290,555**

(22) Filed: **Dec. 17, 2007**

(51) **LOC (8) Cl.** **14-02**

(52) **U.S. Cl.** **D14/315; D14/345; D14/331**

(58) **Field of Classification Search** D14/391-396,
D14/315, 331, 341-346; D18/1, 2, 7, 11;
403/119; 200/5 A, 5 R, 6 A, 6 R; 345/102;
341/22, 23; 235/145 A, 145 R; 400/472,
400/479, 484-489; 361/680-686; D10/76;
D19/60

See application file for complete search history.

(56) **References Cited**

U.S. PATENT DOCUMENTS

5,365,230	A *	11/1994	Kikinis	341/22
D358,340	S *	5/1995	Murata et al.	D10/76
D387,383	S *	12/1997	Chan	D19/60
5,995,025	A *	11/1999	Sternglass et al.	341/22
D448,032	S *	9/2001	Talley	D14/396
D486,488	S *	2/2004	Olodort et al.	D14/396

6,768,635	B2 *	7/2004	Lai et al.	361/680
6,798,649	B1 *	9/2004	Olodort et al.	361/683
D540,790	S *	4/2007	Kim et al.	D14/345
2002/0021935	A1 *	2/2002	Li	403/119

* cited by examiner

Primary Examiner—Freda S Nunn

(74) *Attorney, Agent, or Firm*—Staas & Halsey LLP

(57) **CLAIM**

The ornamental design for a mobile personal computer, as shown and described.

DESCRIPTION

FIG. 1 is a perspective view of a mobile personal computer according to our new design;

FIG. 2 is a front elevational view thereof;

FIG. 3 is a rear elevational view thereof;

FIG. 4 is a left side elevational view thereof;

FIG. 5 is a right side elevational view thereof;

FIG. 6 is a top plan view thereof;

FIG. 7 is a bottom plan view thereof;

FIG. 8 is a perspective view of the mobile personal computer according to our new design in a state in which the mobile personal computer is open when used; and,

FIG. 9 is a perspective view of the mobile personal computer according to our new design in a state in which the keyboard of the mobile personal computer is open when used.

1 Claim, 7 Drawing Sheets

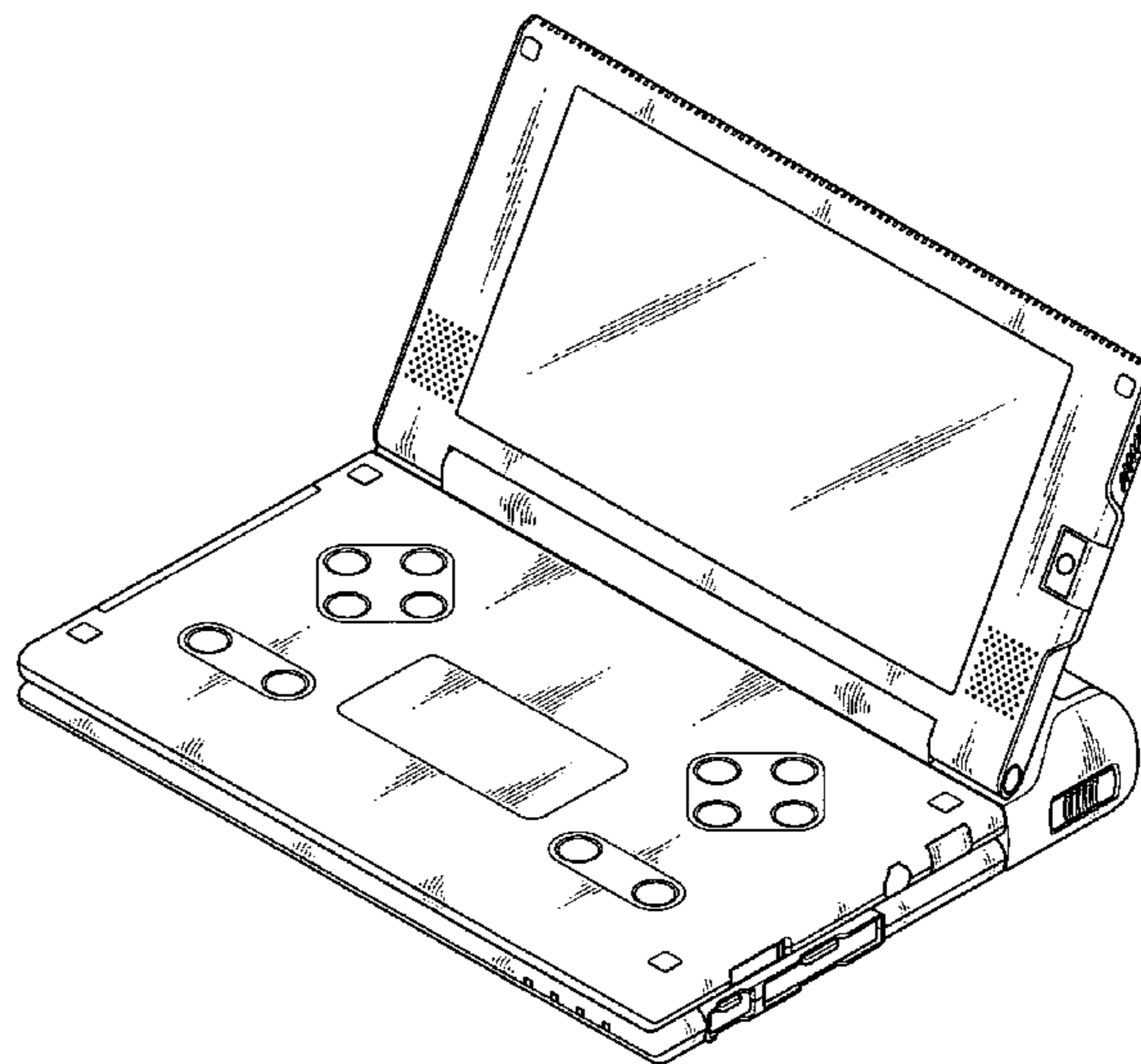
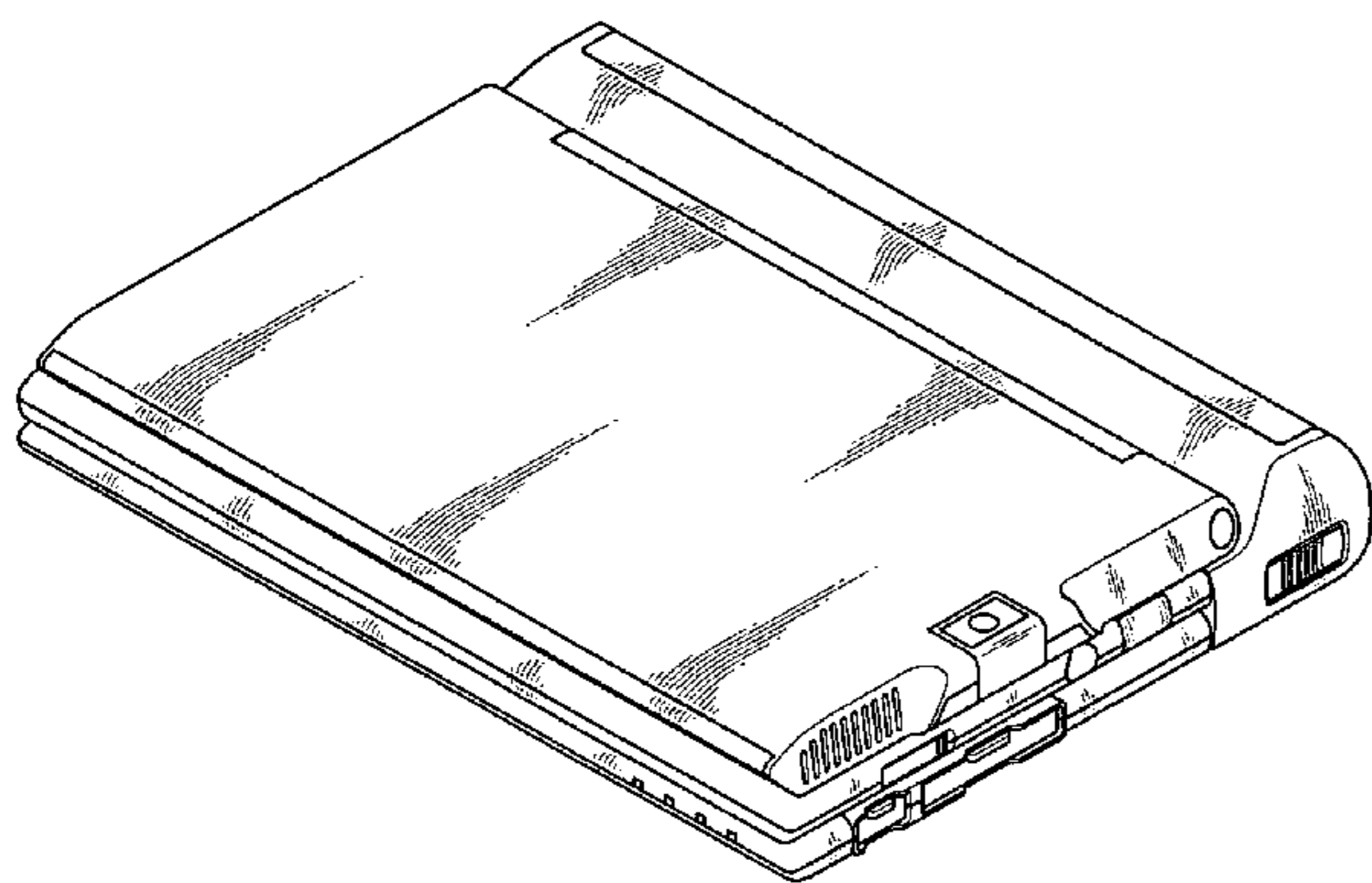


FIG. 1

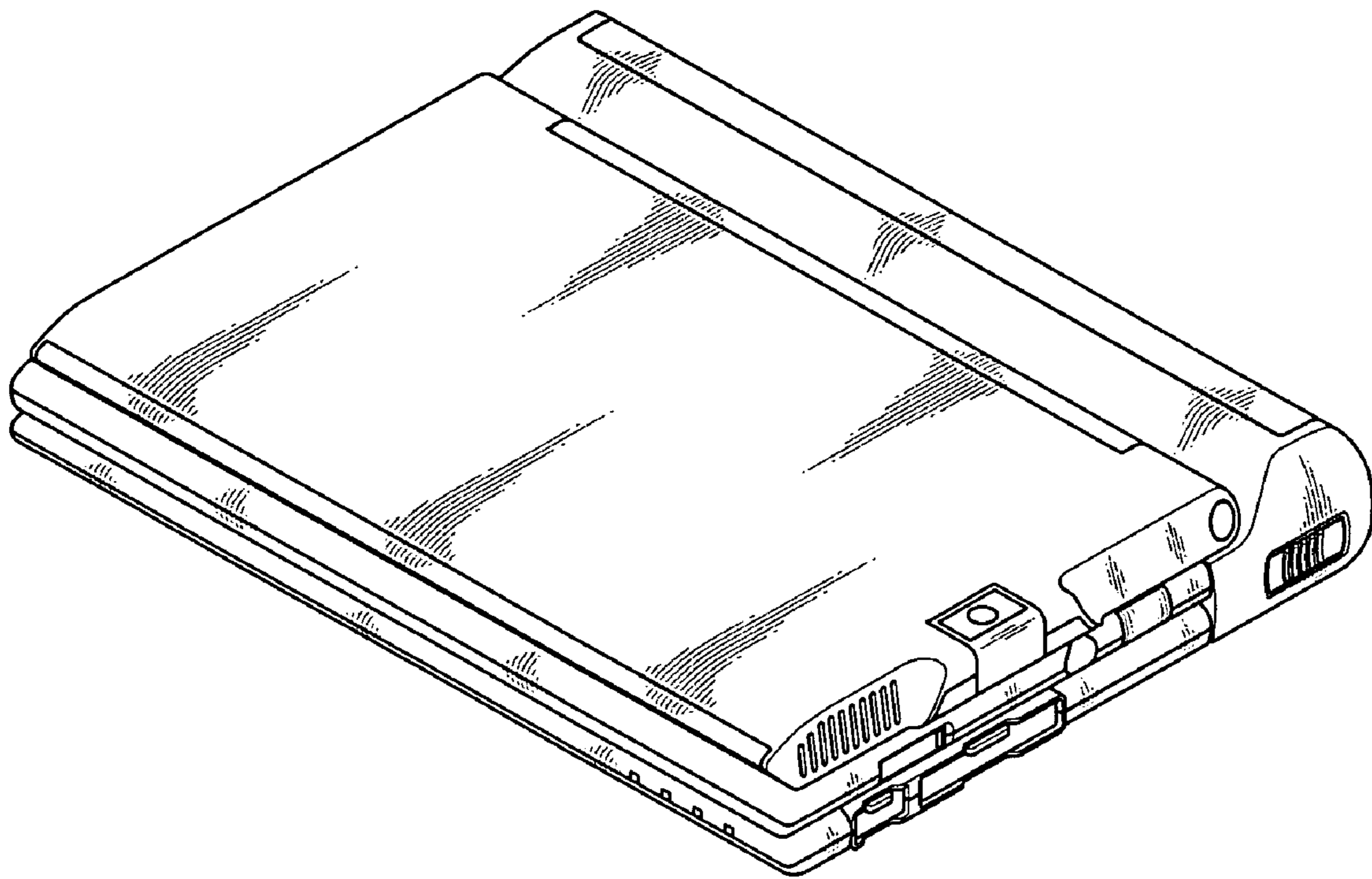


FIG.2

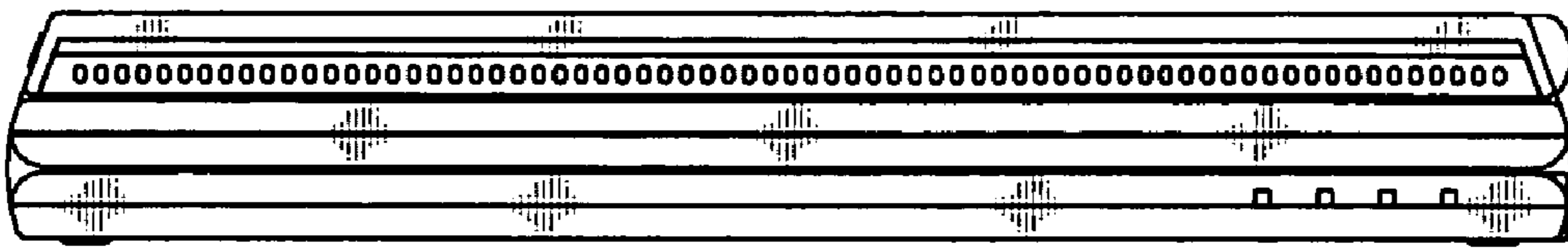


FIG.3

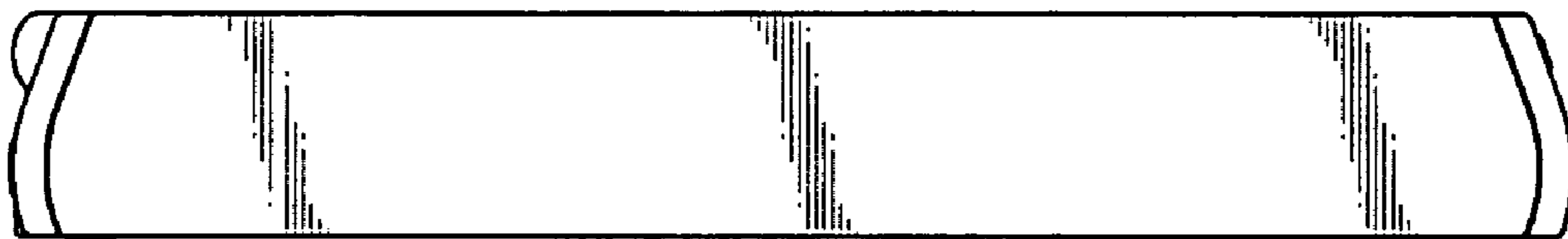


FIG.4

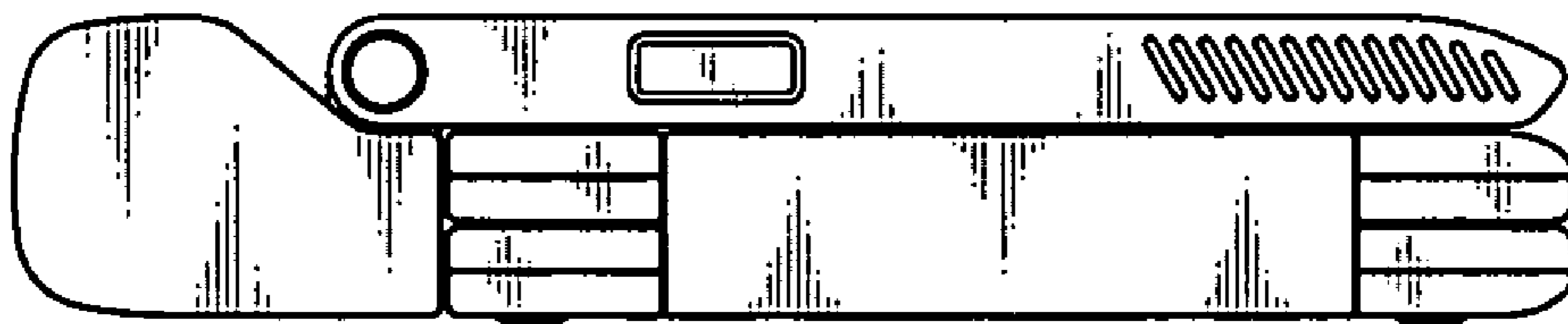


FIG.5

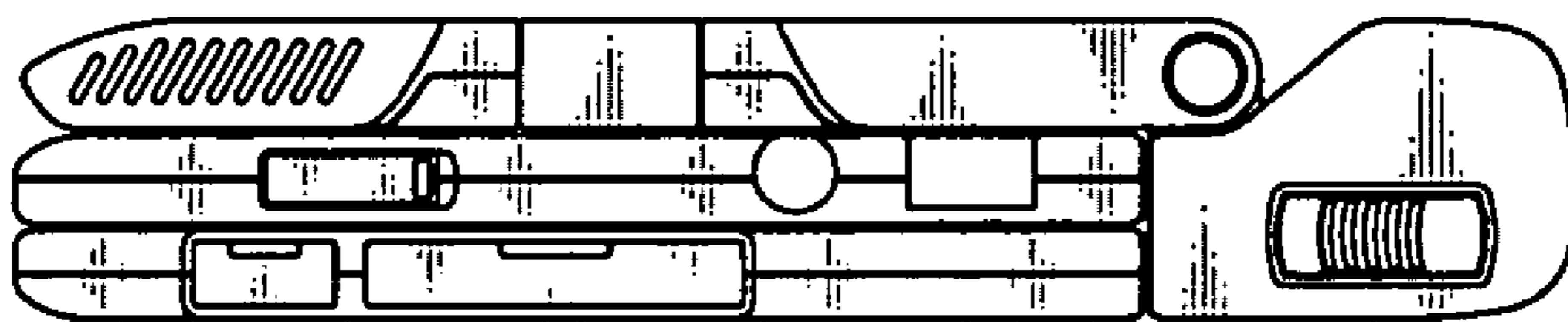


FIG.6

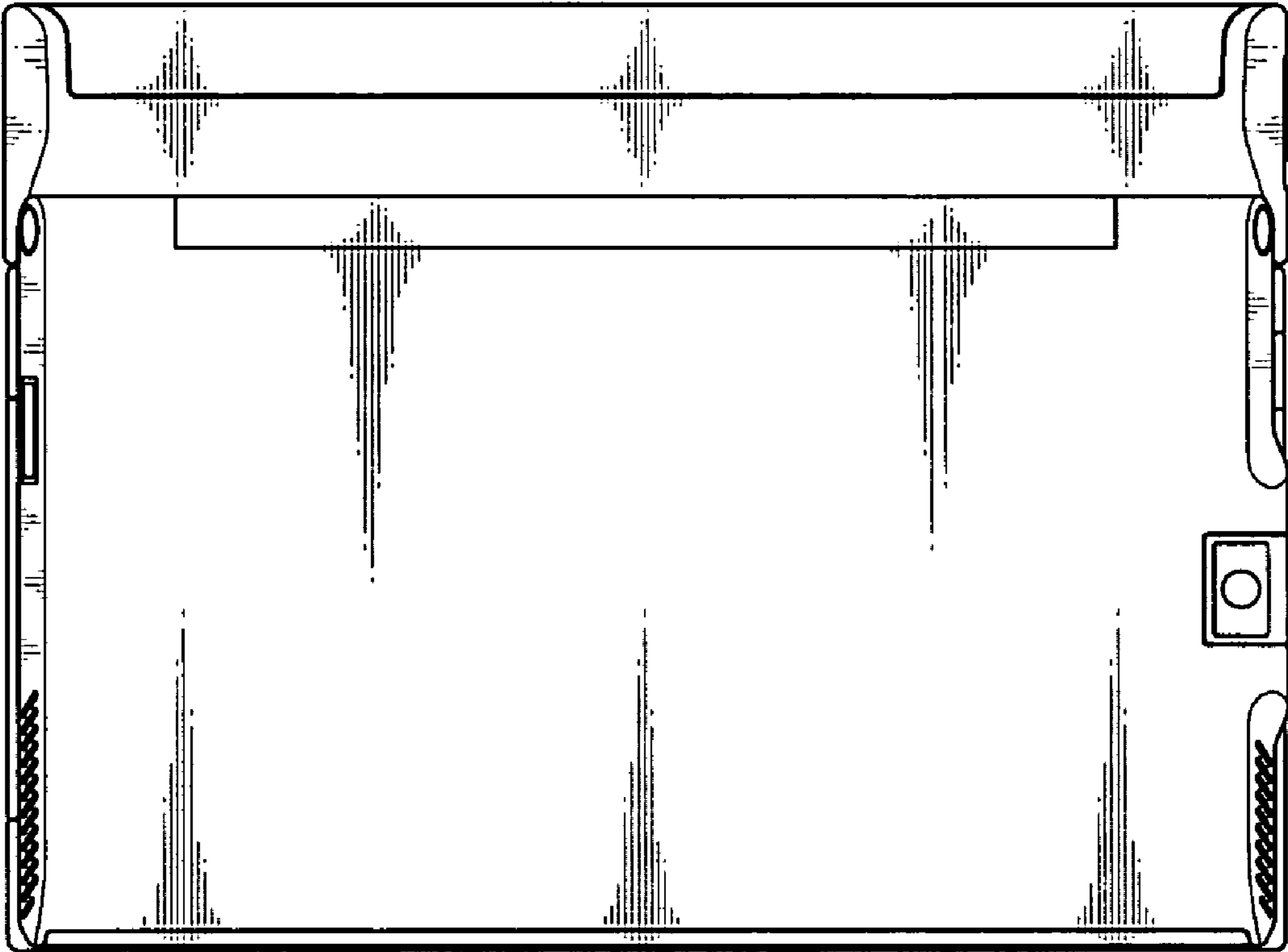


FIG. 7

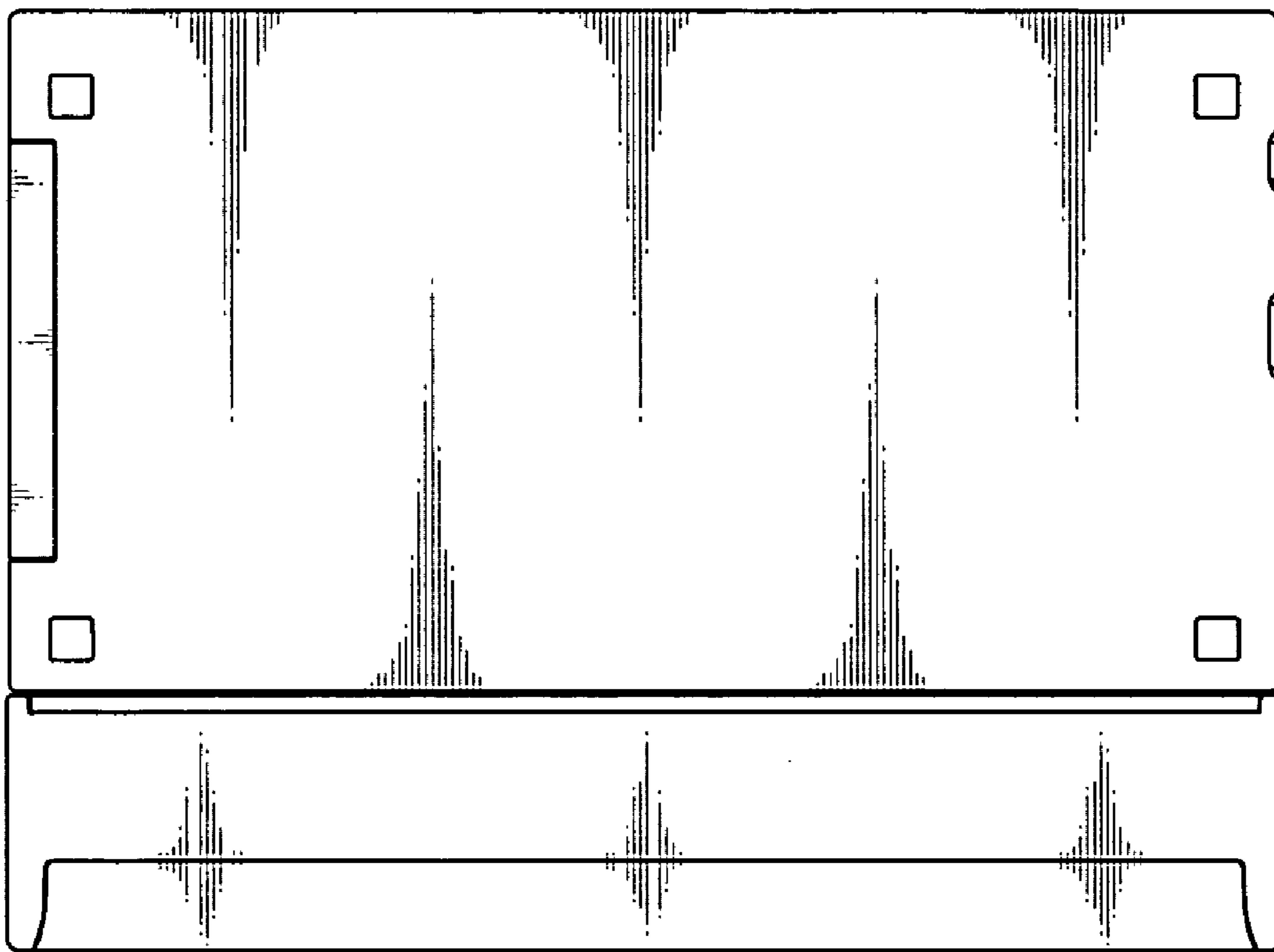


FIG.8

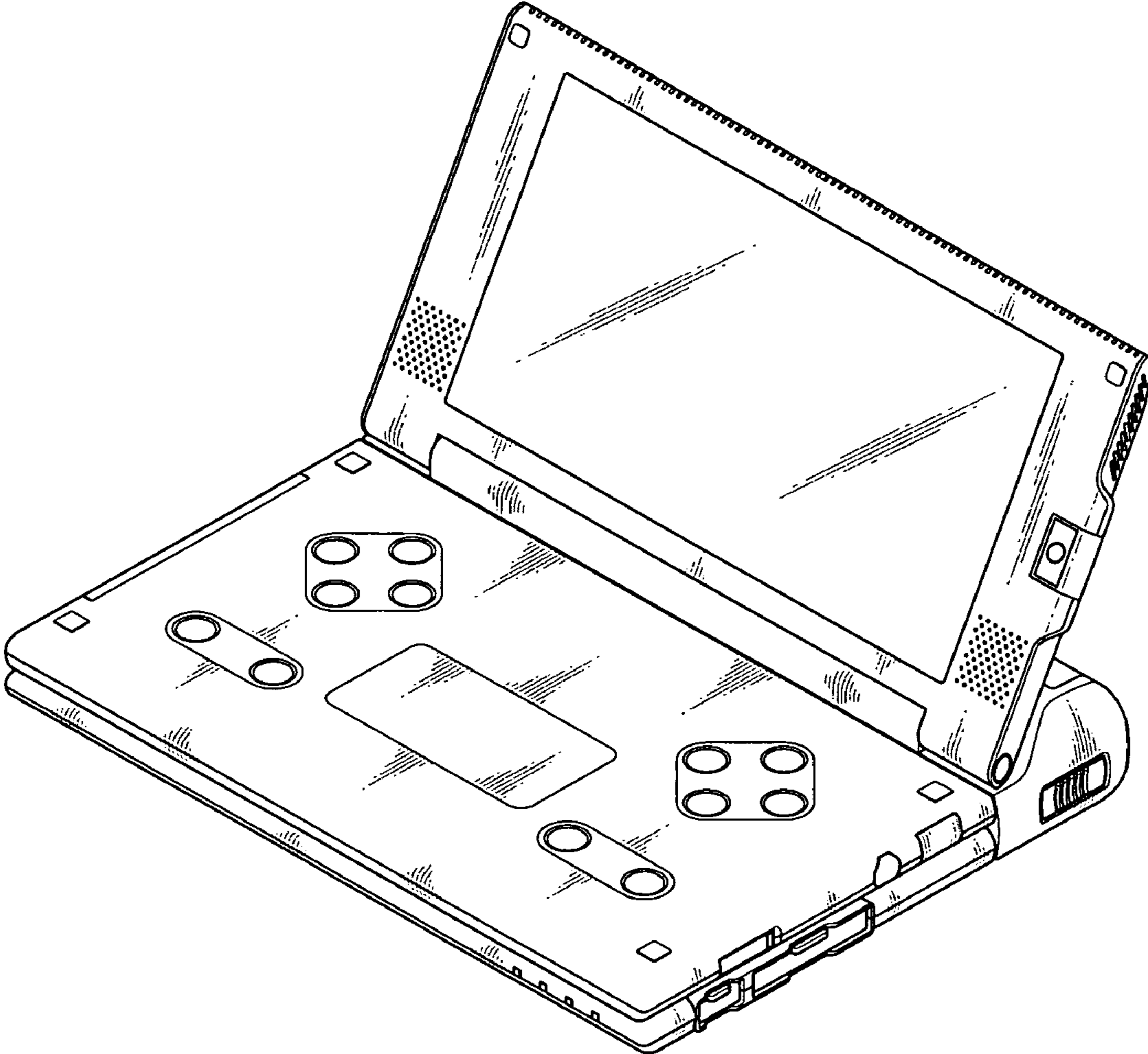


FIG. 9

