



US00D581920S

(12) **United States Design Patent**
O'Brien

(10) **Patent No.:** **US D581,920 S**

(45) **Date of Patent:** **** Dec. 2, 2008**

(54) **VEHICLE MEDIA HUB**

D521,022 S * 5/2006 Chen D14/496

(75) Inventor: **Darren O'Brien**, Santa Monica, CA
(US)

* cited by examiner

Primary Examiner—Prabhakar Deshmukh

Assistant Examiner—Derrick Holland

(73) Assignee: **Harman International Industries, Incorporated**, Northridge, CA (US)

(74) *Attorney, Agent, or Firm*—Plumsea Law Group, LLC

(**) Term: **14 Years**

(57) **CLAIM**

(21) Appl. No.: **29/299,641**

The ornamental design for a vehicle media hub, as shown and described.

(22) Filed: **Dec. 31, 2007**

DESCRIPTION

(51) **LOC (8) Cl.** **14-99**

FIG. 1 is a perspective view of a vehicle media hub showing my new design;

(52) **U.S. Cl.** **D14/299**

FIG. 2 is a perspective view as viewed from the opposite side thereof;

(58) **Field of Classification Search** D14/299,
D14/258, 483, 496; D13/107, 108, 110,
D13/139.4, 144; 307/150, 151; 361/600,
361/601; 439/668, 669

FIG. 3 is a side elevational view of one side, the opposite side being a mirror image thereof; and,

See application file for complete search history.

FIG. 4 is a top plan view thereof.

(56) **References Cited**

The broken line showings of the electrical connectors, the port and the indicia on the top surface are for illustrative purposes only and form no part of the claimed design.

U.S. PATENT DOCUMENTS

The broken lines, which define the bounds of the claimed design, form no part of the claimed design.

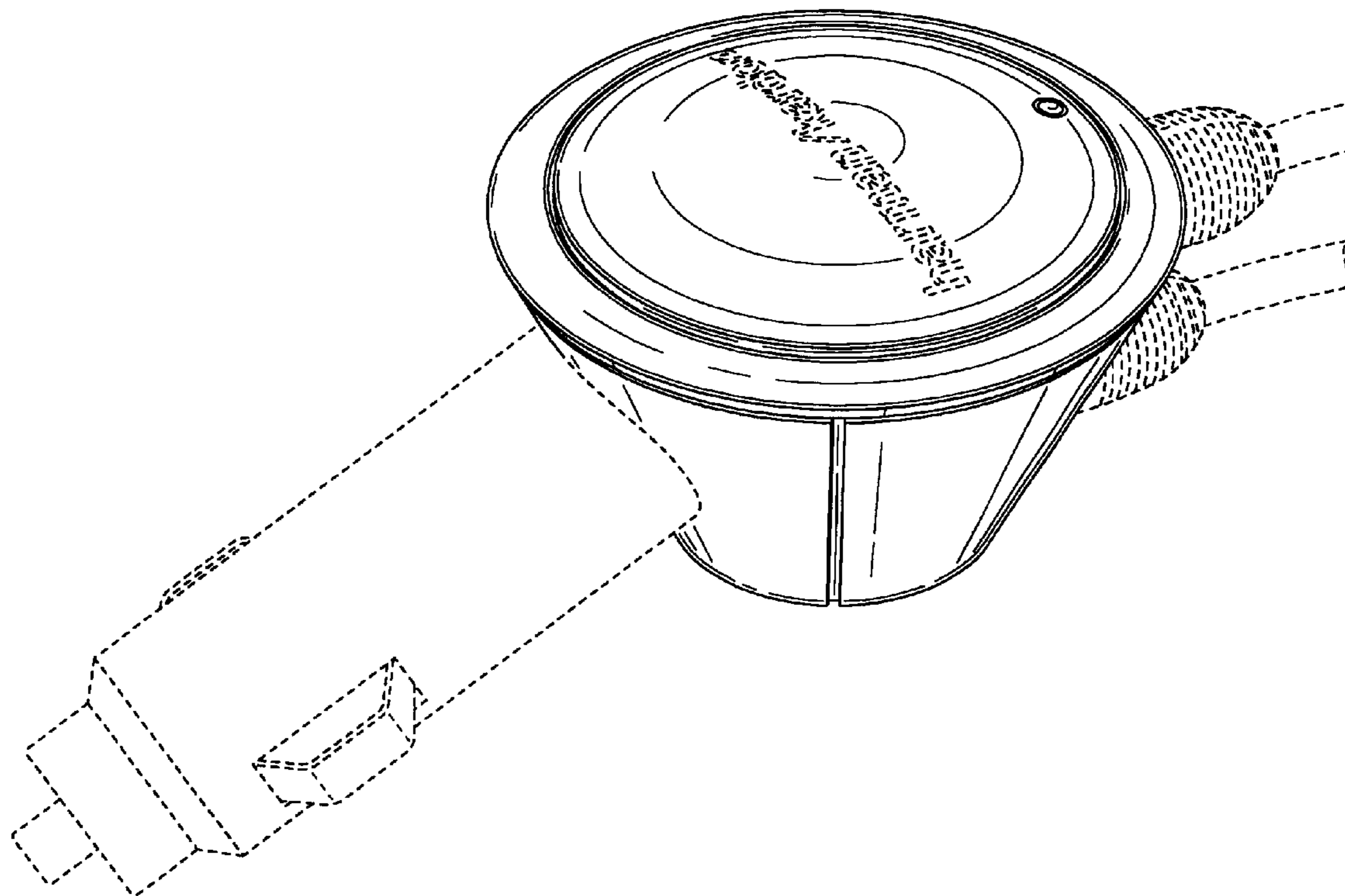
D467,539 S * 12/2002 Kataoka D13/108

D480,091 S * 9/2003 Myszka et al. D14/483

D493,426 S * 7/2004 Strayer D13/139.4

D507,527 S * 7/2005 Huang D13/110

1 Claim, 4 Drawing Sheets



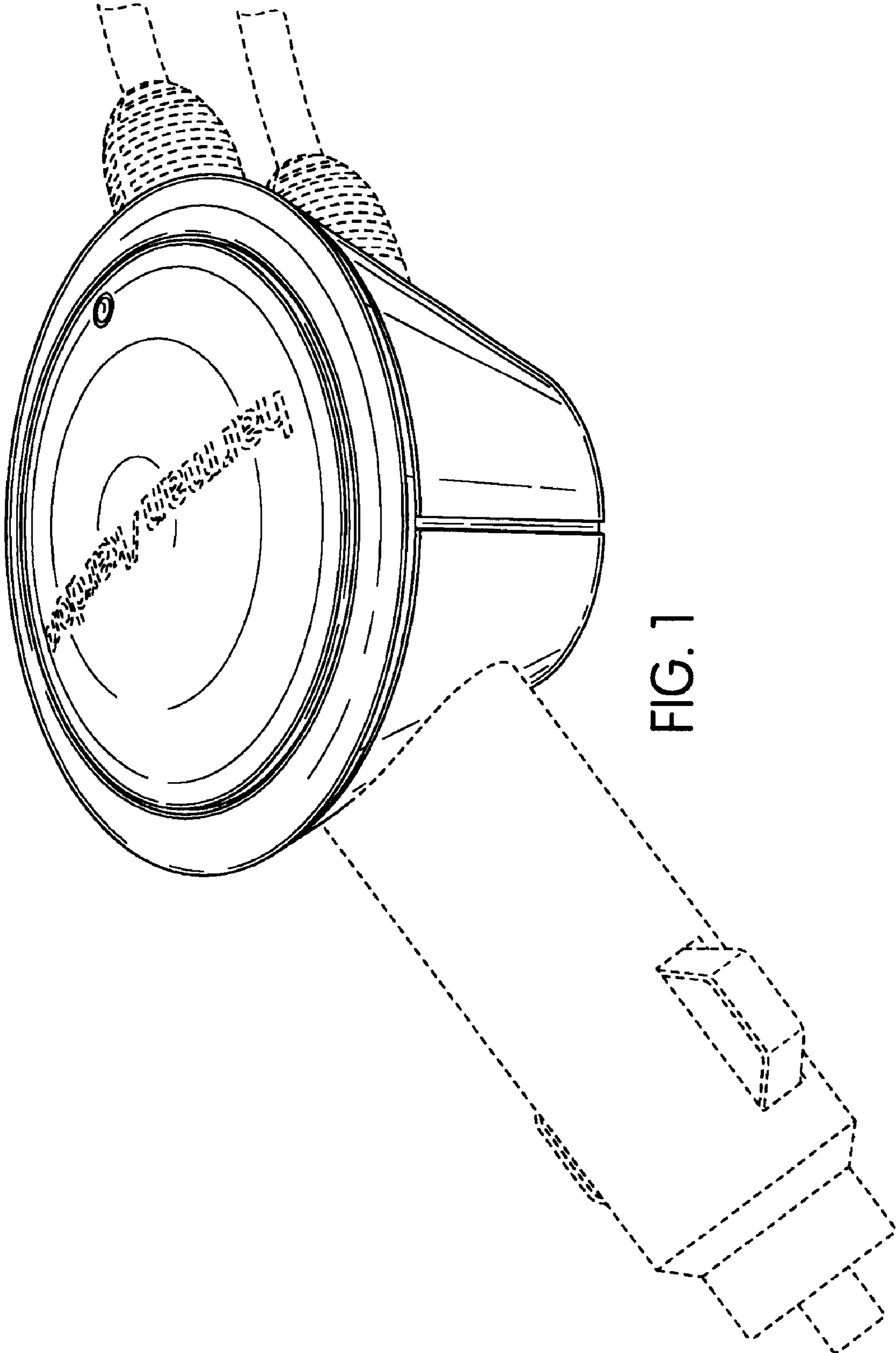


FIG. 1

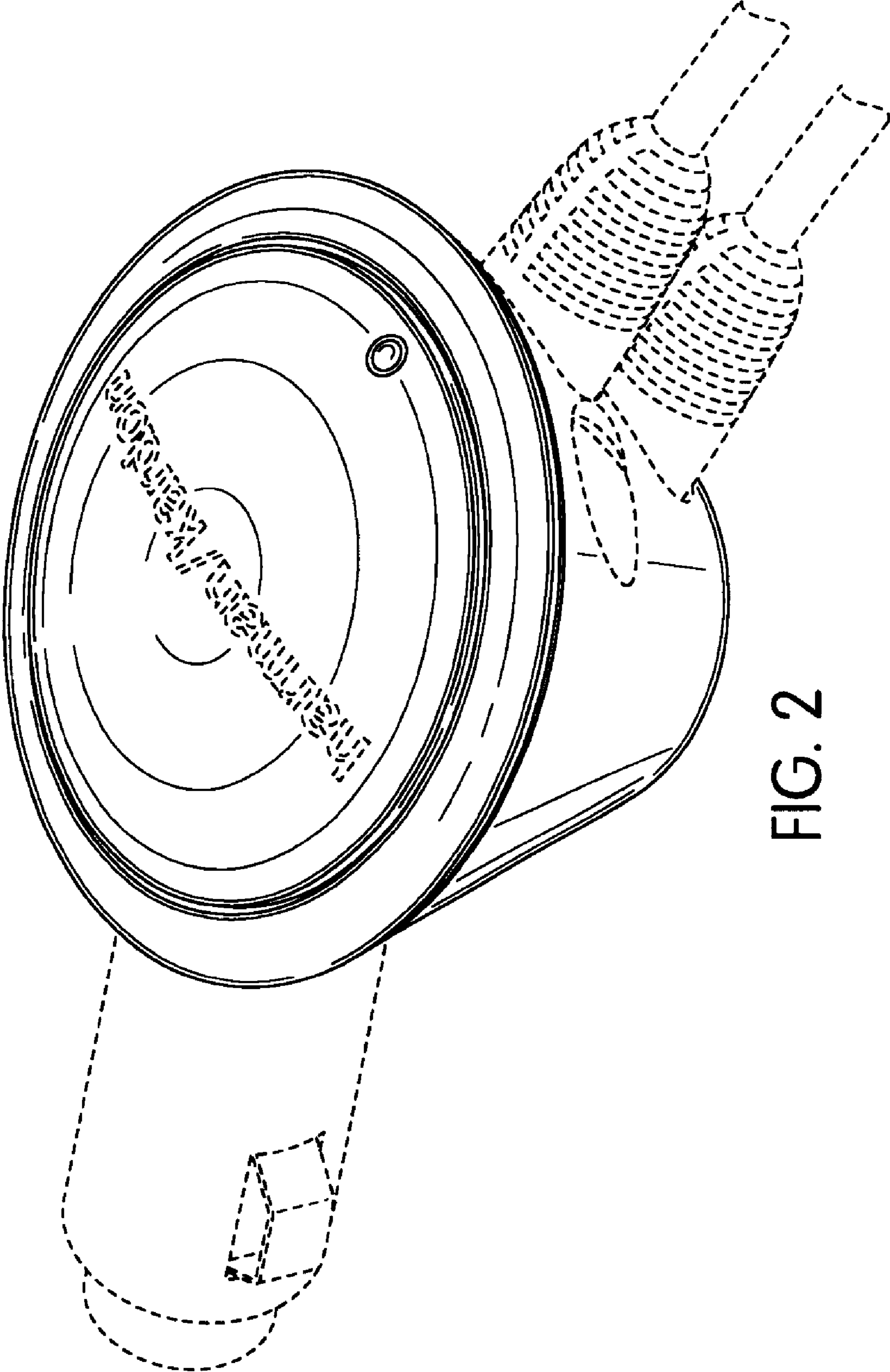


FIG. 2

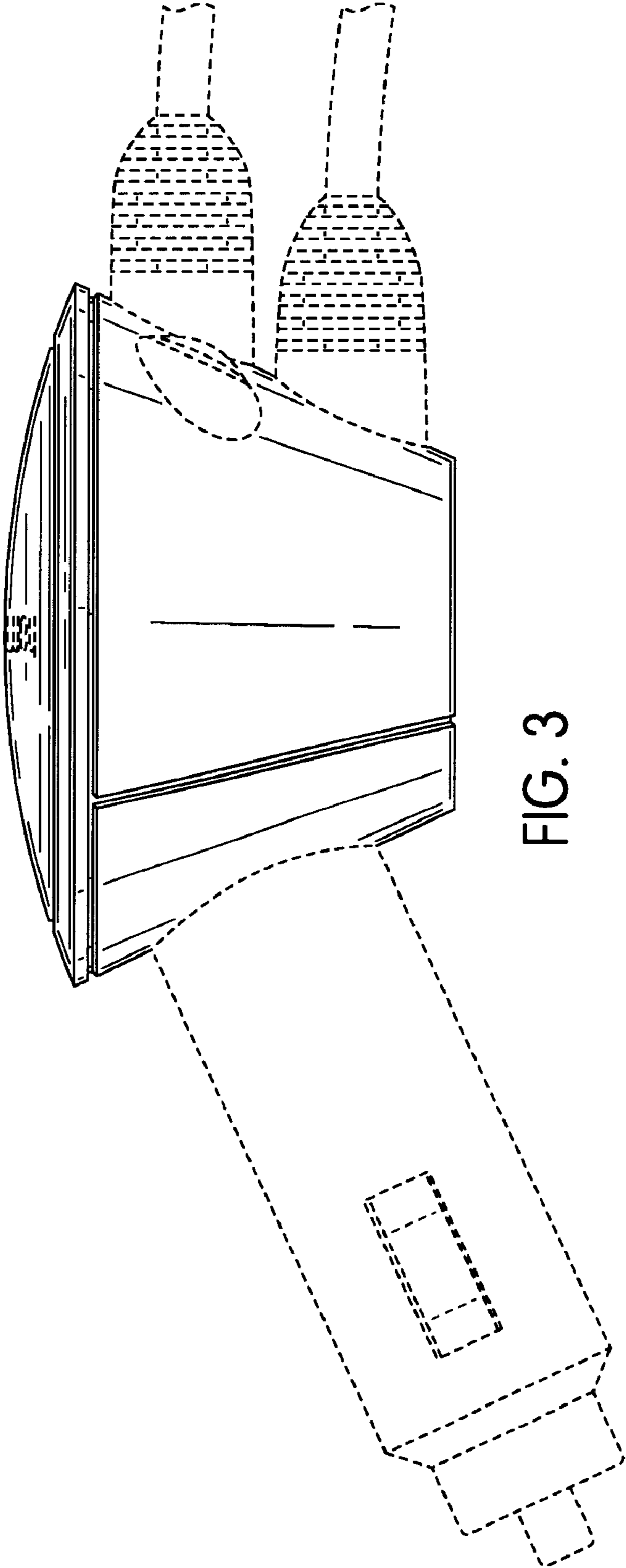


FIG. 3

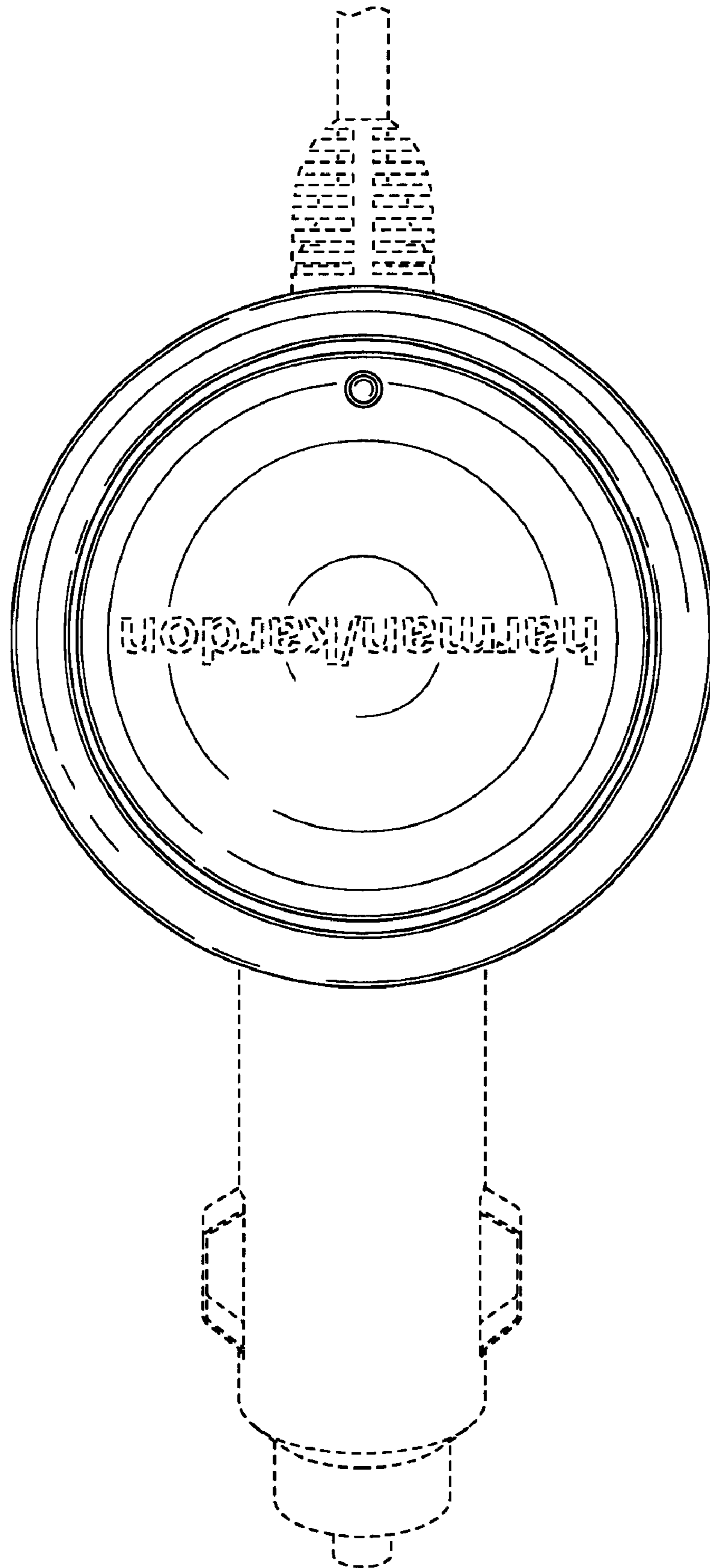


FIG. 4