



US00D581919S

(12) **United States Design Patent**
Kim

(10) **Patent No.:** **US D581,919 S**
(45) **Date of Patent:** **** Dec. 2, 2008**

(54) **FRONT PANEL FOR DVD RECEIVER**
(75) Inventor: **Jae-Hyung Kim**, Gyeonggi-do (KR)
(73) Assignee: **Samsung Electronics Co., Ltd.**,
Kyunggi-do (KR)
(**) Term: **14 Years**
(21) Appl. No.: **29/286,865**
(22) Filed: **May 21, 2007**
(51) **LOC (8) Cl.** **14-01**
(52) **U.S. Cl.** **D14/257**
(58) **Field of Classification Search** D14/135–136,
D14/156–157, 167–168, 198, 188, 217, 257,
D14/258, 445; 360/99.02, 99.07; 369/75.11,
369/75.21, 77.21, 77.11; 720/612, 619, 647,
720/655; 455/344, 347–351
See application file for complete search history.

D526,980 S 8/2006 Kwon et al.
D526,981 S 8/2006 Kim et al.
D528,525 S 9/2006 Cho et al.
D529,464 S 10/2006 Lim et al.
D529,885 S 10/2006 Park et al.
D530,692 S 10/2006 Lim et al.
D530,693 S 10/2006 Park et al.
D530,694 S 10/2006 Park
D530,695 S 10/2006 Park
D531,153 S 10/2006 Lim et al.
D533,159 S 12/2006 Kim et al.
D536,682 S 2/2007 Lim et al.
D536,683 S 2/2007 Lim et al.
D537,425 S 2/2007 Park
D538,768 S 3/2007 Lim et al.
D539,250 S 3/2007 Park
D539,770 S 4/2007 Park
D539,771 S 4/2007 Park

OTHER PUBLICATIONS

U.S. Appl. No. 29/259,105, Applicant: Jin-Wook Kim, filed May 2, 2006 entitled Digital Video Recorder.

(Continued)

Primary Examiner—Nanda Bondade
(74) *Attorney, Agent, or Firm*—Flynn, Thiel, Boutell & Tanis, P.C.

(56) **References Cited**
U.S. PATENT DOCUMENTS

D340,716 S * 10/1993 Ito et al. D14/156
D427,990 S * 7/2000 Ito et al. D14/156
D438,520 S * 3/2001 Nose et al. D14/136
D519,960 S 5/2006 Kwon et al.
D519,962 S 5/2006 Kim et al.
D519,963 S 5/2006 Lim et al.
D520,478 S 5/2006 Kwon et al.
D520,479 S 5/2006 Kwon et al.
D520,480 S 5/2006 Kwon et al.
D520,481 S 5/2006 Lim et al.
D520,973 S 5/2006 Kwon et al.
D520,974 S 5/2006 Lim
D520,975 S 5/2006 Kim et al.
D521,965 S 5/2006 Ko et al.
D521,966 S 5/2006 Kim et al.
D521,967 S 5/2006 Lim
D522,986 S 6/2006 Kwon et al.
D523,832 S 6/2006 Kwon et al.
D525,958 S 8/2006 Kwon et al.
D526,294 S 8/2006 Kwon et al.
D526,979 S 8/2006 Lim

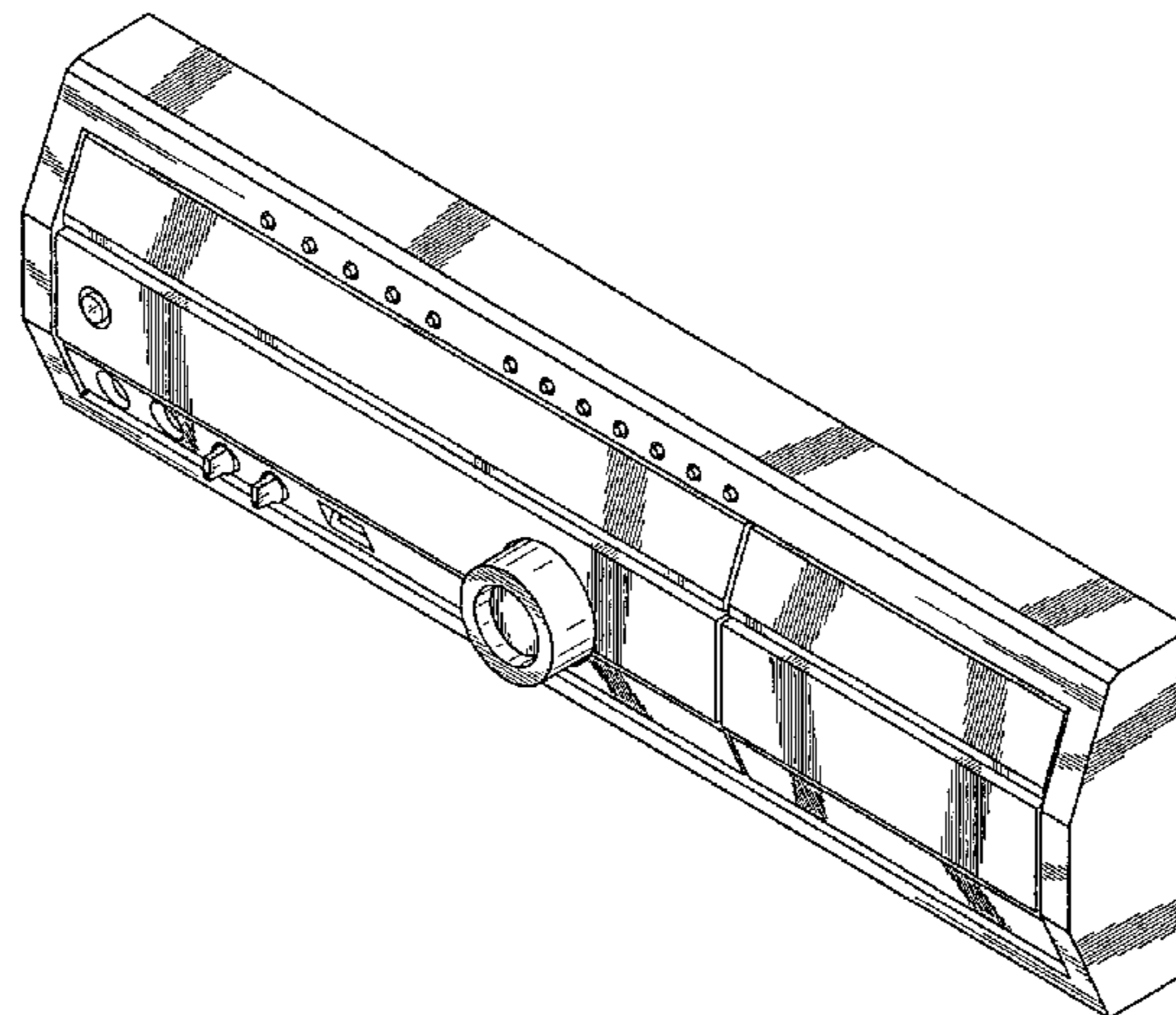
(57) **CLAIM**

The ornamental design for a front panel for DVD receiver, as shown and described.

DESCRIPTION

FIG. 1 is a top front perspective view of a front panel for DVD receiver showing my new design;
FIG. 2 is a front elevational view thereof;
FIG. 3 is a rear elevational view thereof;
FIG. 4 is a left side elevational view thereof;
FIG. 5 is a right side elevational view thereof;
FIG. 6 is a top plan view thereof; and,
FIG. 7 is a bottom plan view thereof.

1 Claim, 4 Drawing Sheets



OTHER PUBLICATIONS

U.S. Appl. No. 29/269,995, Applicant: Jung-Hyun Park, filed Dec. 12, 2006 entitled DVD Recorder.
U.S. Appl. No. 29/269,996, Applicant: Jung-Hyun Park, filed Dec. 12, 2006 entitled DVD Recorder.
U.S. Appl. No. 29/269,992, Applicant: Jung-Hyun Park, filed Dec. 12, 2006 entitled DVD Recorder.
U.S. Appl. No. 29/269,991, Applicant: Jung-Hyun Park, filed Dec. 12, 2006 entitled DVD Recorder.

U.S. Appl. No. 29/269,993, Applicant: Jung-Hyun Park, et al., filed Dec. 12, 2006 entitled DVD Recorder.

U.S. Appl. No. 29/269,990, Applicant: Ju-Won Cho, et al., filed Dec. 12, 2006 entitled DVD Recorder.

U.S. Appl. No. 29/269,994, Applicant: Jung-Hyun Park, filed Dec. 12, 2006 entitled DVD Recorder.

* cited by examiner

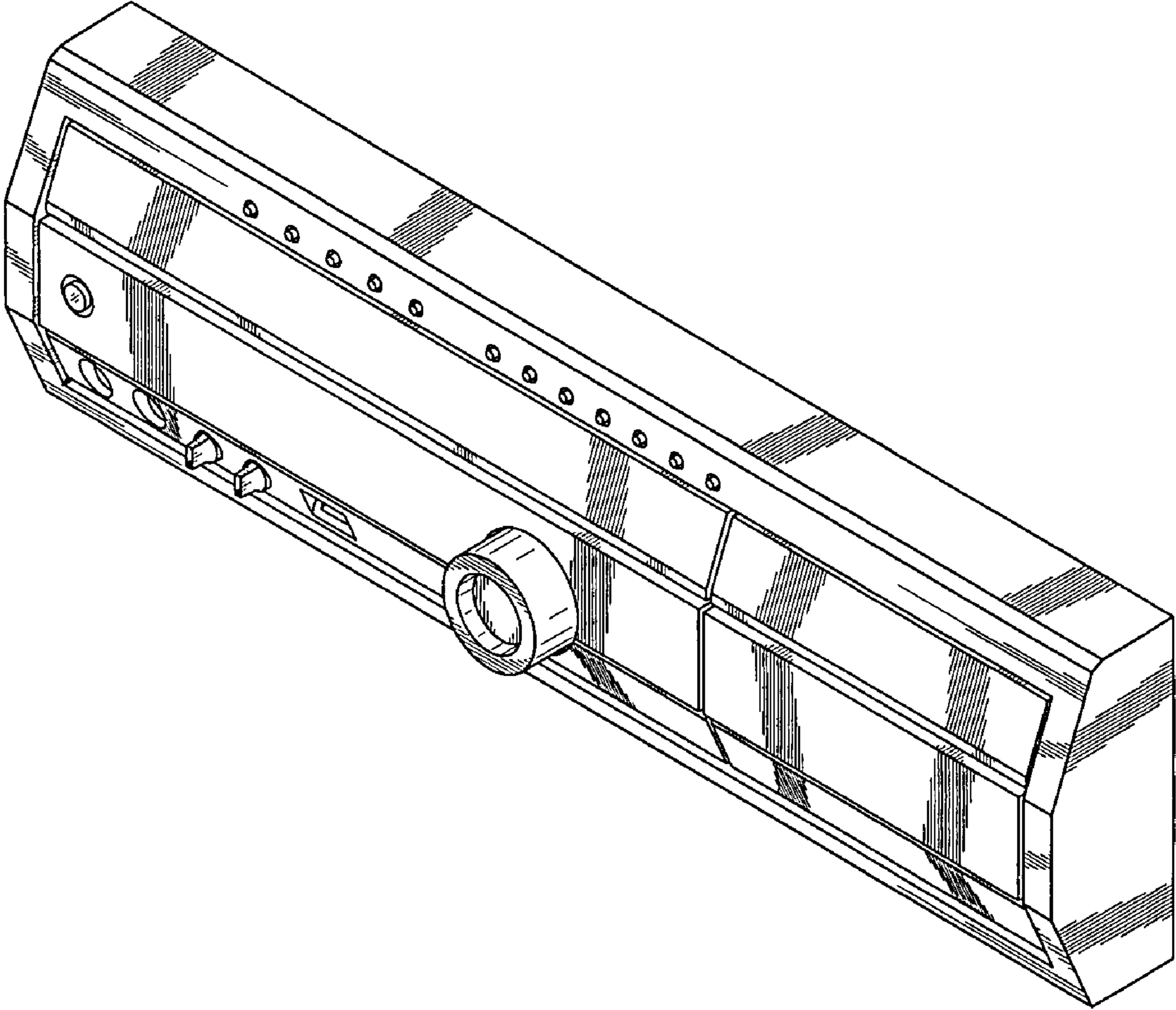


FIG. 1

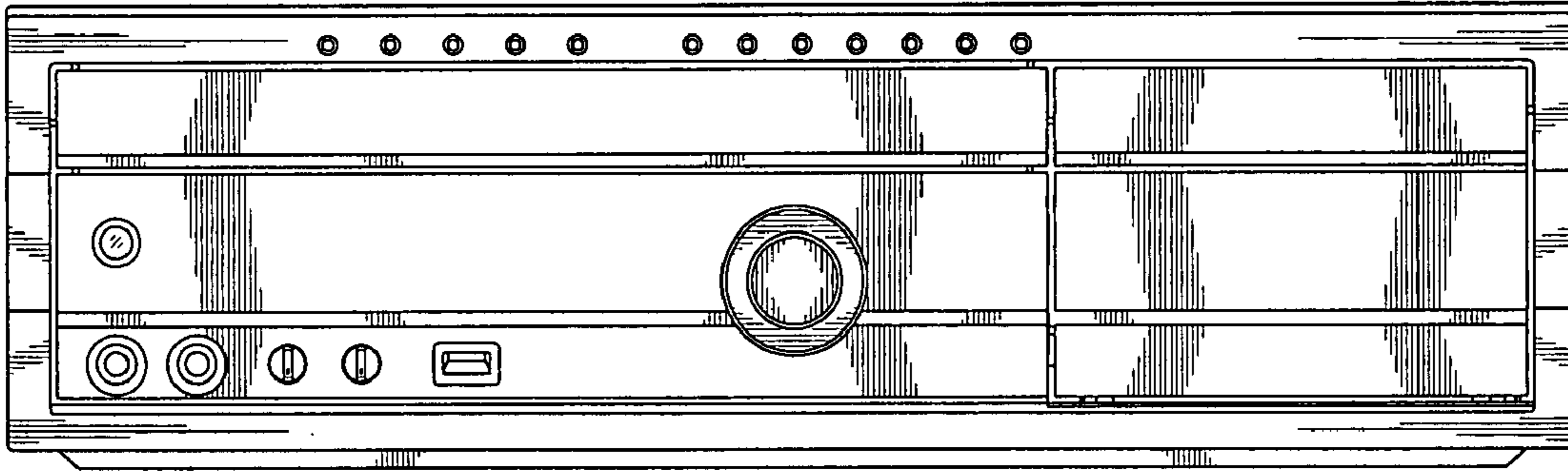


FIG. 2

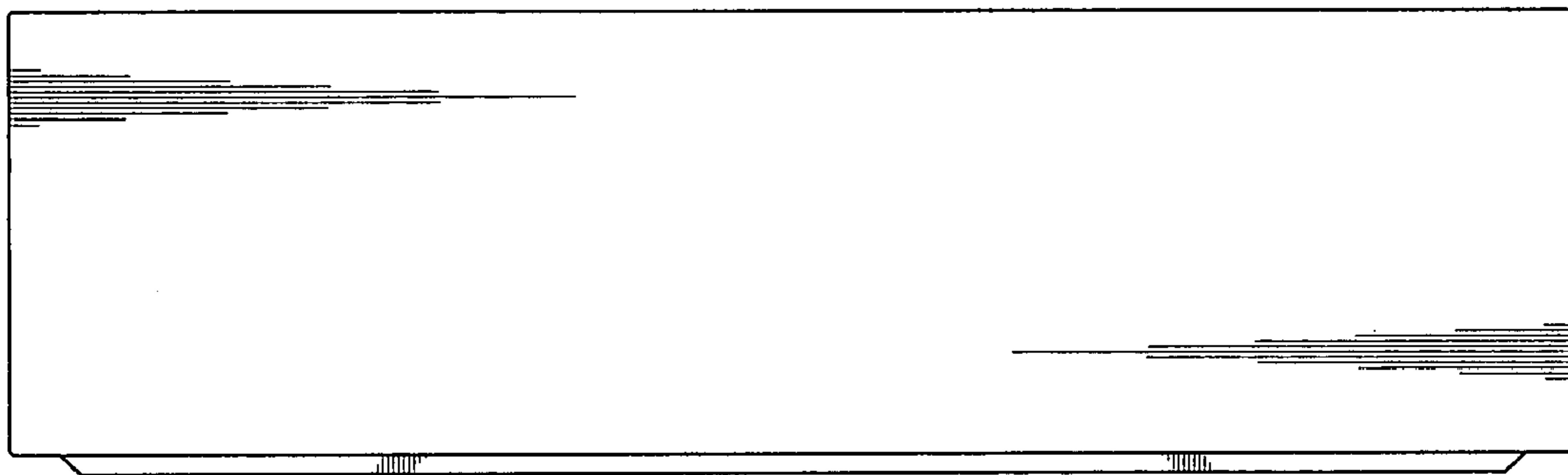


FIG. 3

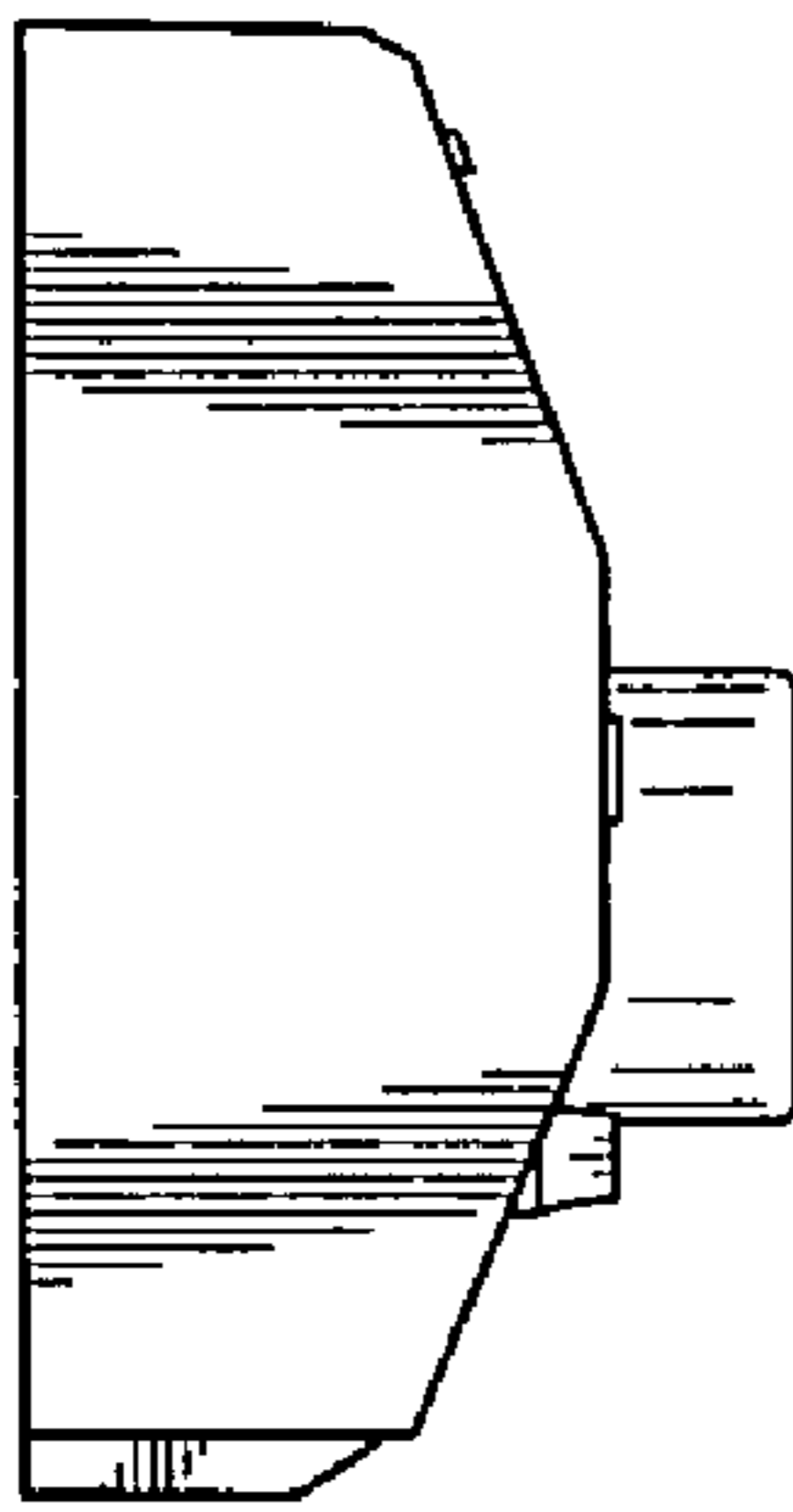


FIG. 4



FIG. 5

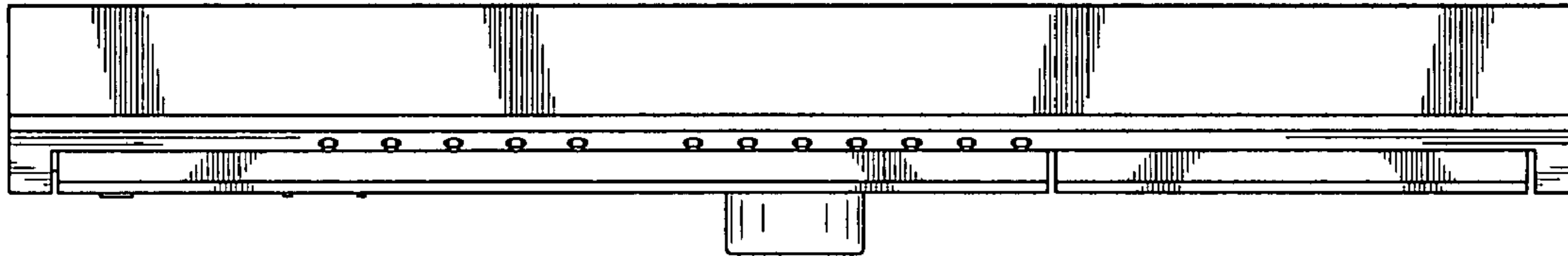


FIG. 6

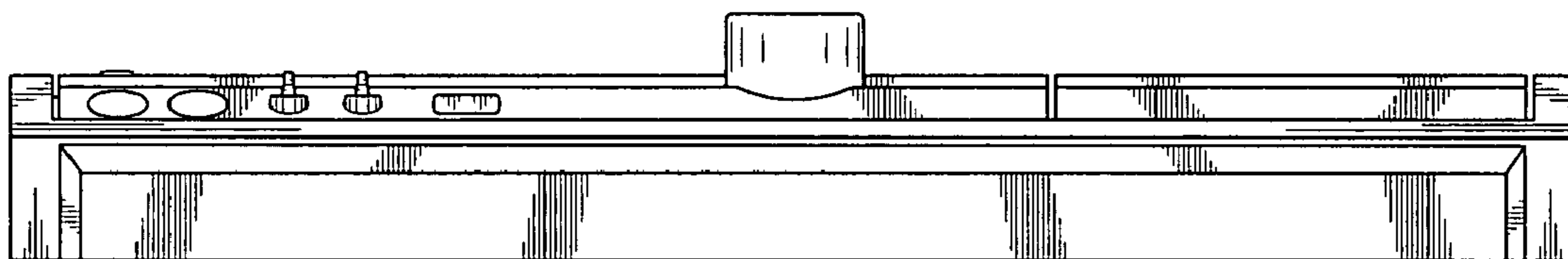


FIG. 7