



US00D581917S

(12) **United States Design Patent**
Lin

(10) **Patent No.:** **US D581,917 S**
(45) **Date of Patent:** **** Dec. 2, 2008**

(54) **MULTIMEDIA VIDEO AND AUDIO
WIRELESS TRANSMITTING DEVICE**

(75) **Inventor:** **Chung-Hung Lin**, Syuejia Township,
Tainan County (TW)

(73) **Assignee:** **Jow Tong Technology Co., Ltd.**, Tainan
Hsien (TW)

(**) **Term:** **14 Years**

(21) **Appl. No.:** **29/264,139**

(22) **Filed:** **Aug. 4, 2006**

(51) **LOC (8) Cl.** **14-03**

(52) **U.S. Cl.** **D14/240**

(58) **Field of Classification Search** D14/356,
D14/358, 233, 240, 242, 243, 300, 348, 388,
D14/433, 218, 496, 217; D13/184, 199,
D13/108; 360/69; 379/220.1, 220.14, 25,
379/93.09, 93.15, 156, 900, 338, 329; 361/683,
361/686; 607/36; 455/550.1; 345/2.2
See application file for complete search history.

(56) **References Cited**

U.S. PATENT DOCUMENTS

D354,041	S *	1/1995	Scheid et al.	D13/108
5,627,727	A *	5/1997	Aguilera et al.	361/686
5,875,094	A *	2/1999	Kirkendoll	361/686
D432,528	S *	10/2000	Hartman et al.	D14/243
D474,737	S *	5/2003	Yoshida	D13/108
D479,238	S *	9/2003	Brown	D14/358
6,711,005	B2 *	3/2004	Martin	361/683
D489,323	S *	5/2004	Yoshida	D13/108
D495,336	S *	8/2004	Andre et al.	D14/434
6,965,356	B2 *	11/2005	Vaccarelli	345/2.2
7,035,094	B2 *	4/2006	Huang et al.	361/683

7,038,906	B2 *	5/2006	Hubbard	361/683
7,054,148	B2 *	5/2006	Chen et al.	361/683
D523,847	S *	6/2006	Naruki	D14/217
D527,722	S *	9/2006	Yeh	D14/496
D532,773	S *	11/2006	Langberg et al.	D14/214
7,154,746	B1 *	12/2006	Hanson et al.	361/683
7,230,822	B2 *	6/2007	Langberg et al.	361/683

* cited by examiner

Primary Examiner—Charles A Rademaker

(74) *Attorney, Agent, or Firm*—Rosenberg, Klein & Lee

(57) **CLAIM**

The ornamental design for a multimedia video and audio wireless transmitting device, as shown and described.

DESCRIPTION

FIG. 1 is a perspective view of a multimedia video and audio wireless transmitting device showing my new design;

FIG. 2 is a front elevational view thereof;

FIG. 3 is a rear elevational view thereof, the broken lines in the drawing show structural environment and form no part of the claim;

FIG. 4 is a left side elevational view thereof;

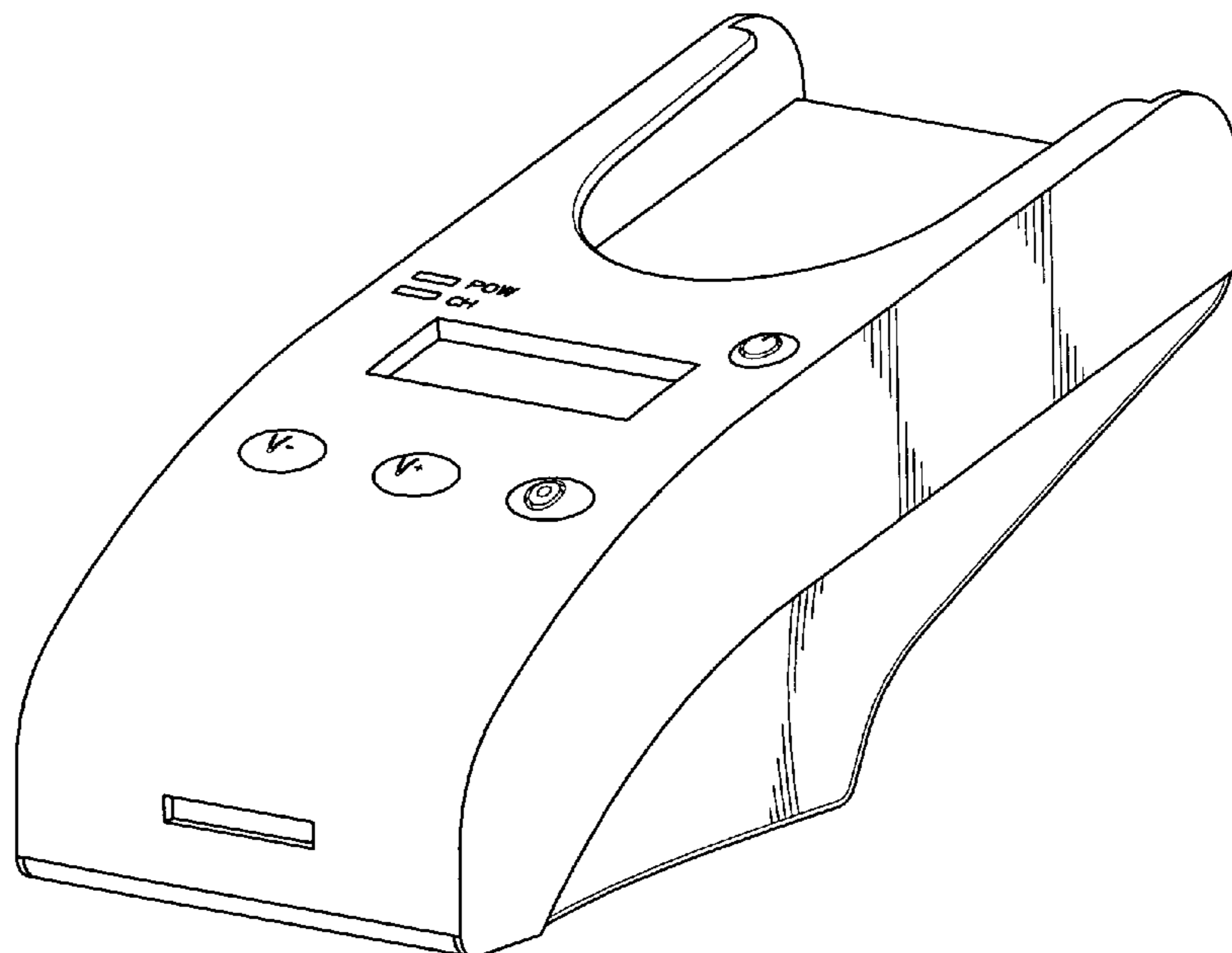
FIG. 5 is a right side elevational view thereof;

FIG. 6 is a top plan view thereof; and,

FIG. 7 is a bottom plan view thereof, the broken lines in the drawing show structural environment and form no part of the claim; and,

FIG. 8 is another perspective view thereof with an accessory member shown in broken lines for purposes of illustrating environment and forming no part of the claim.

1 Claim, 8 Drawing Sheets



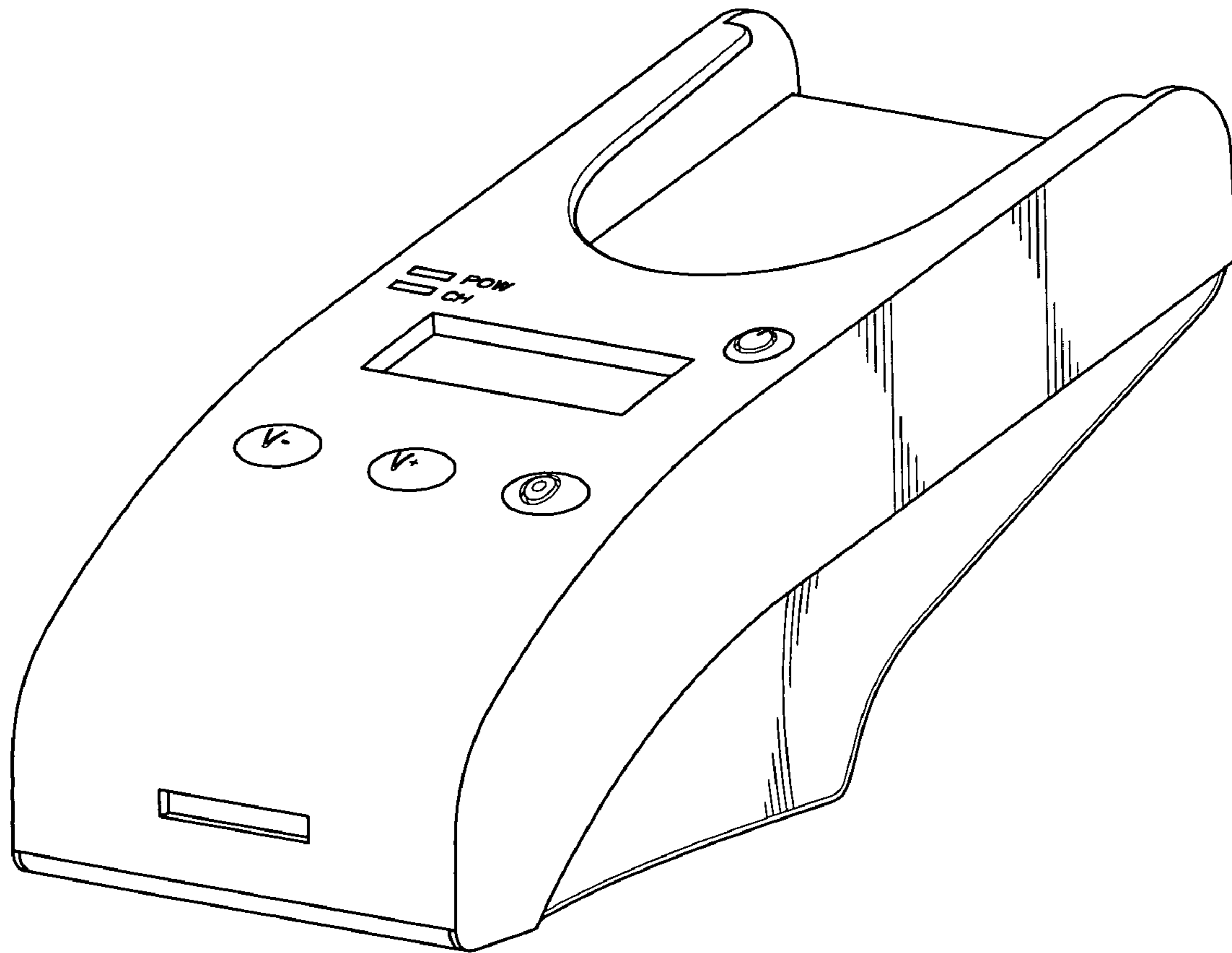


FIG . 1

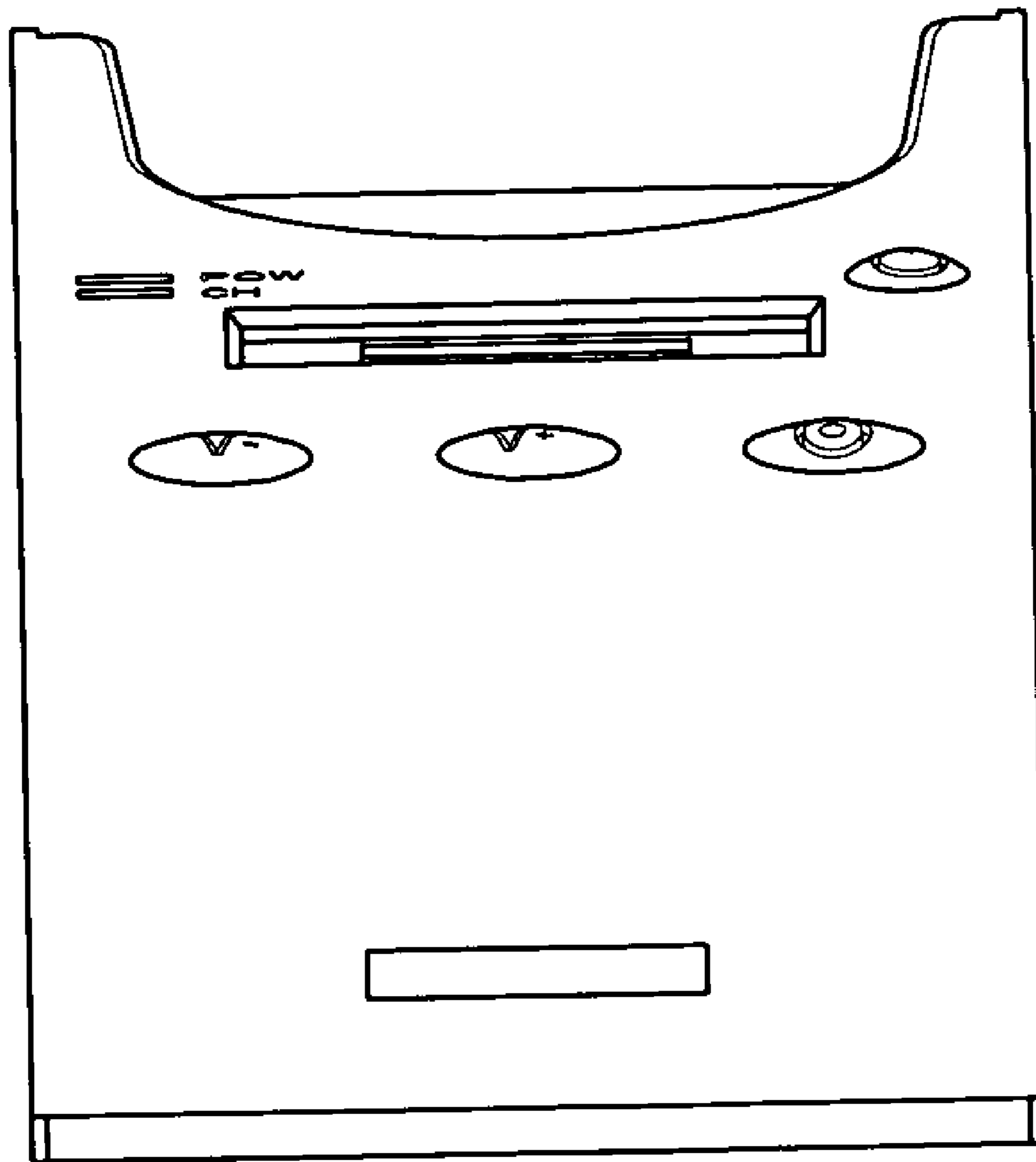


FIG . 2

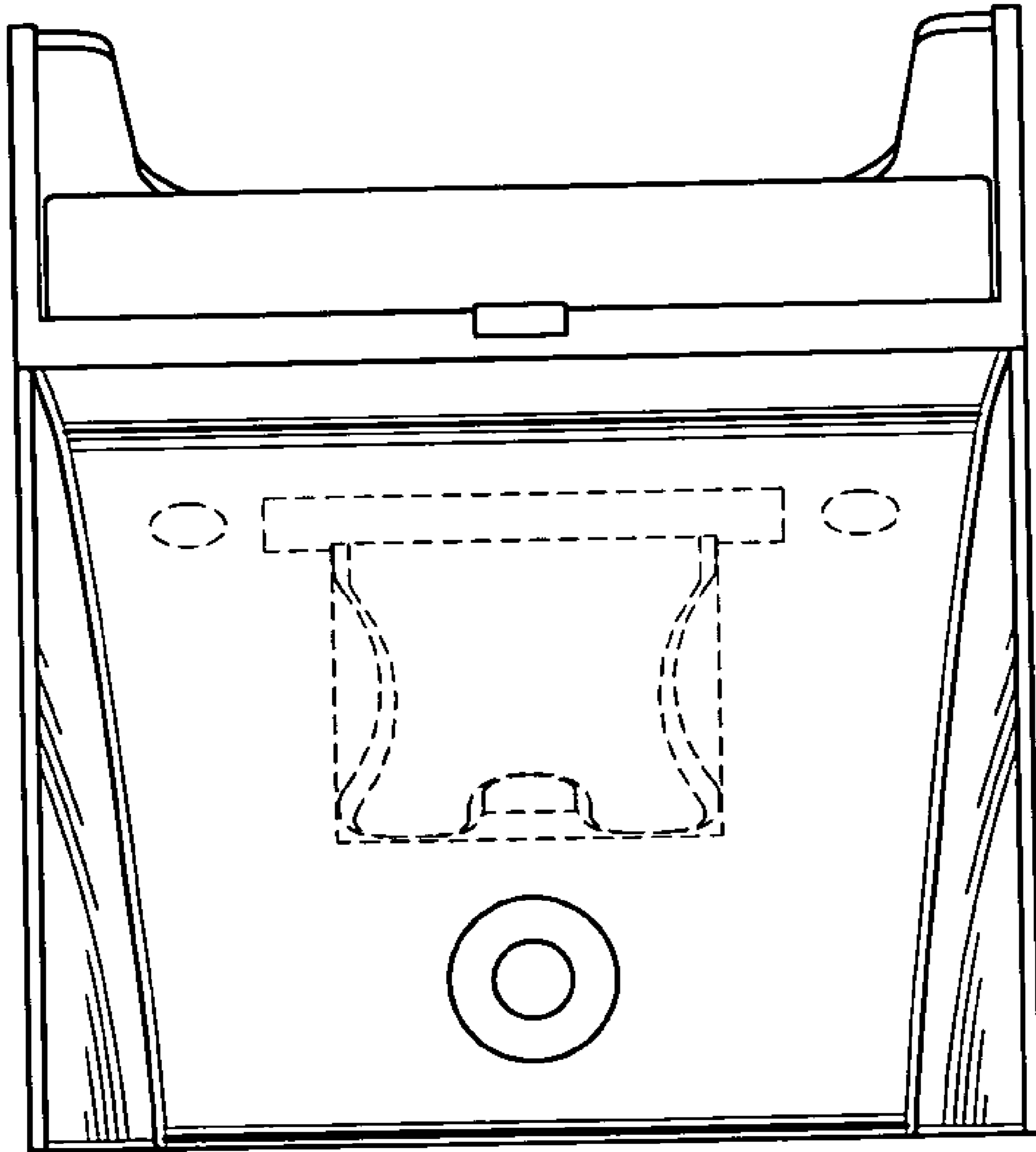


FIG . 3

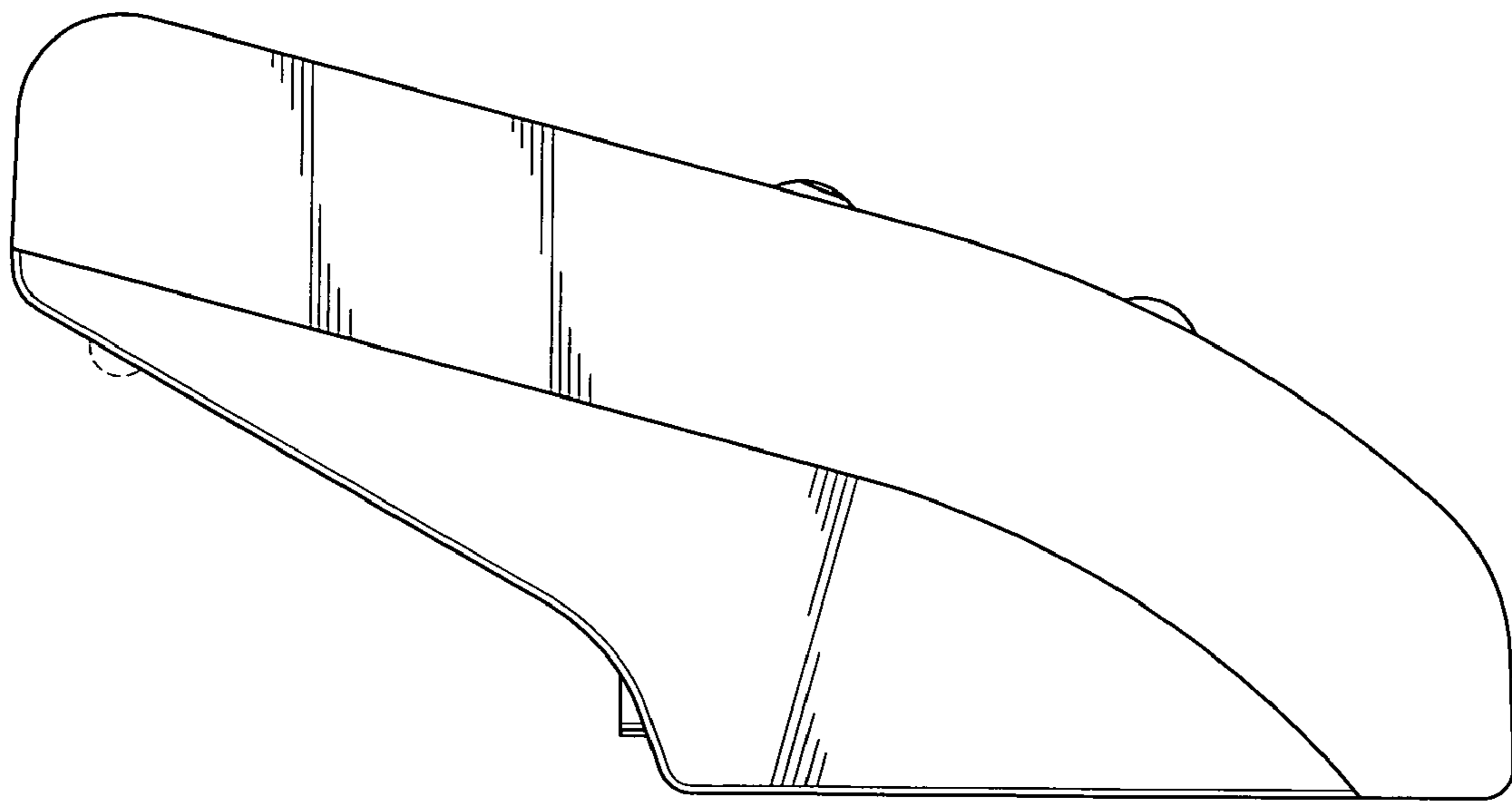


FIG . 4

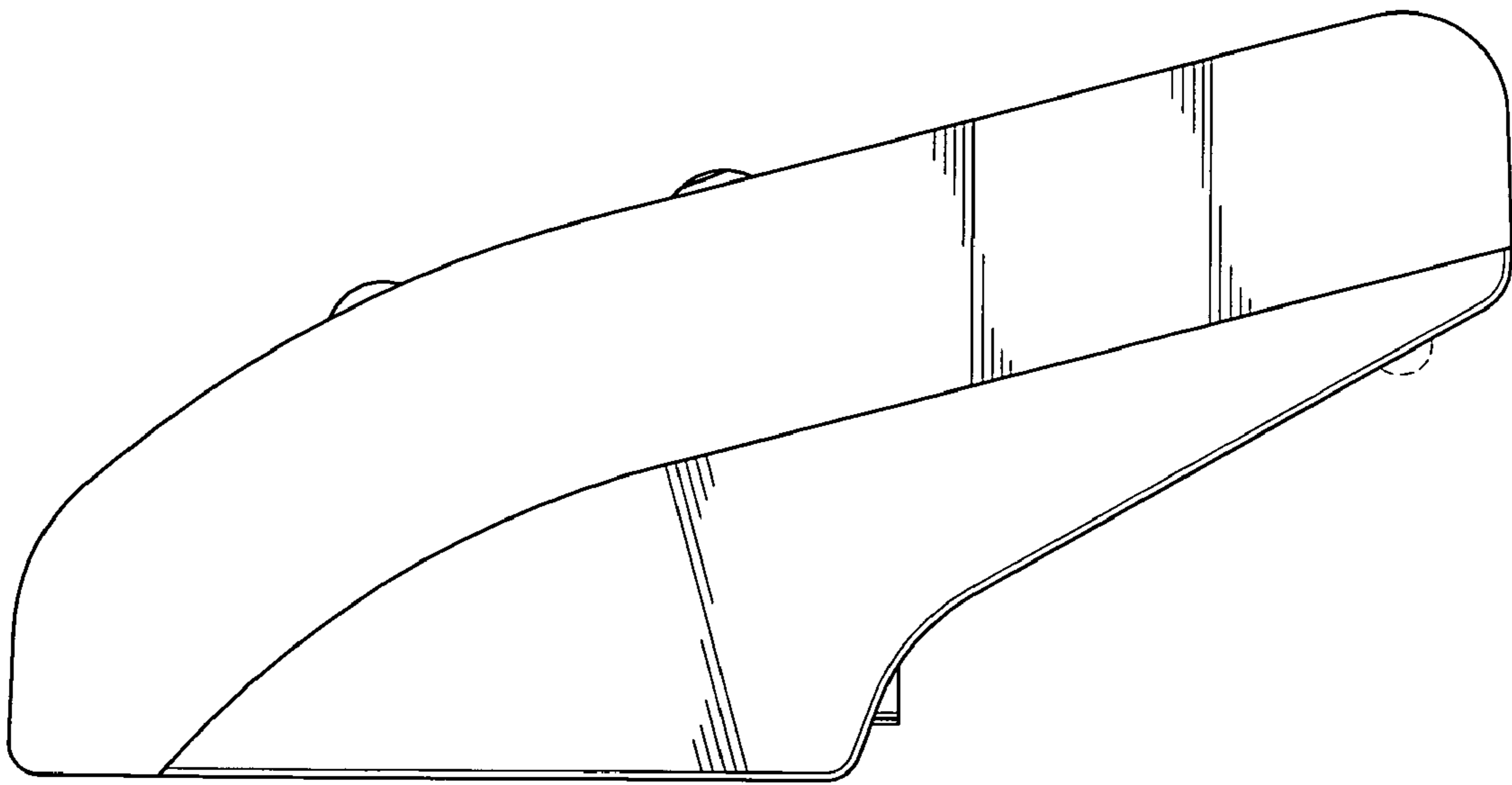


FIG . 5

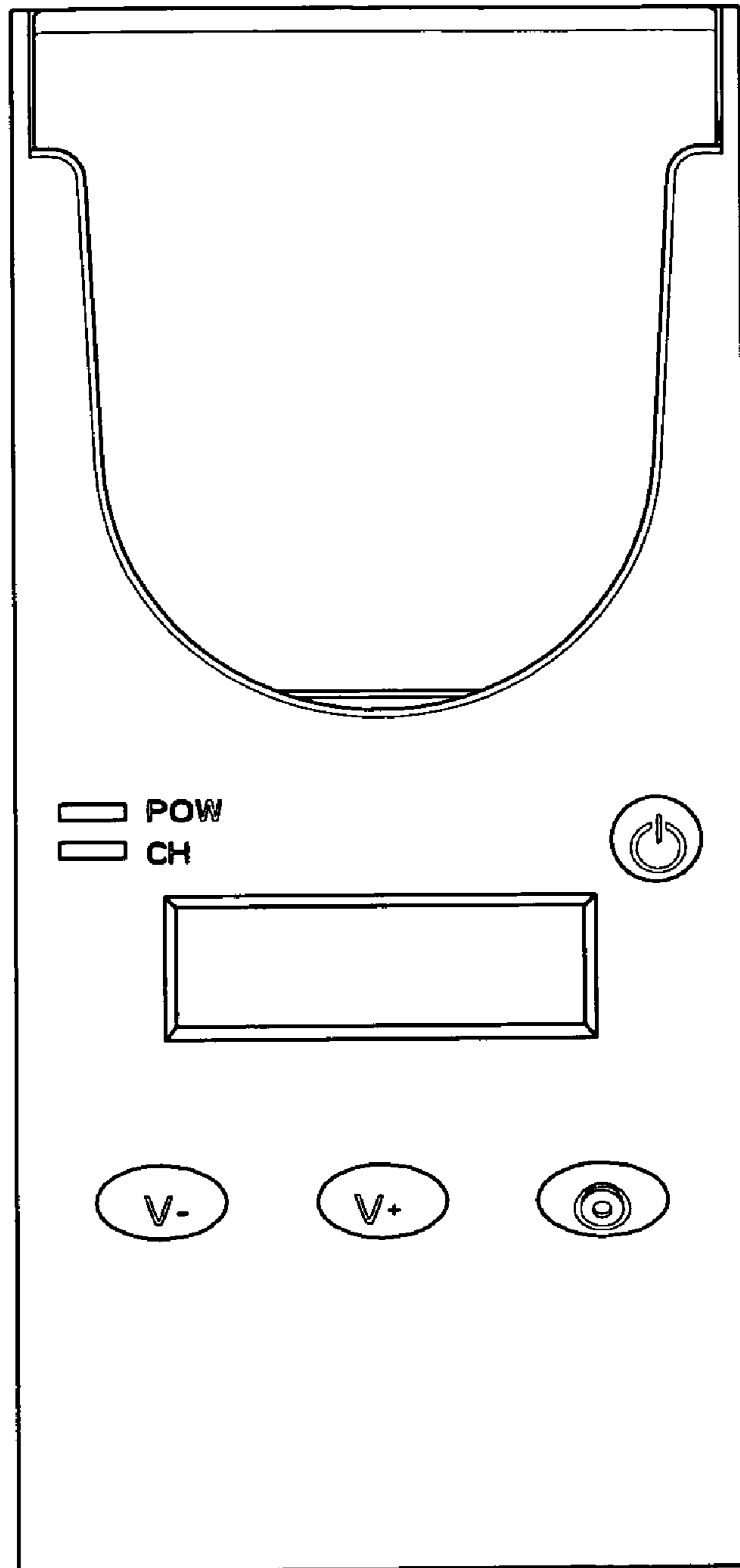


FIG . 6

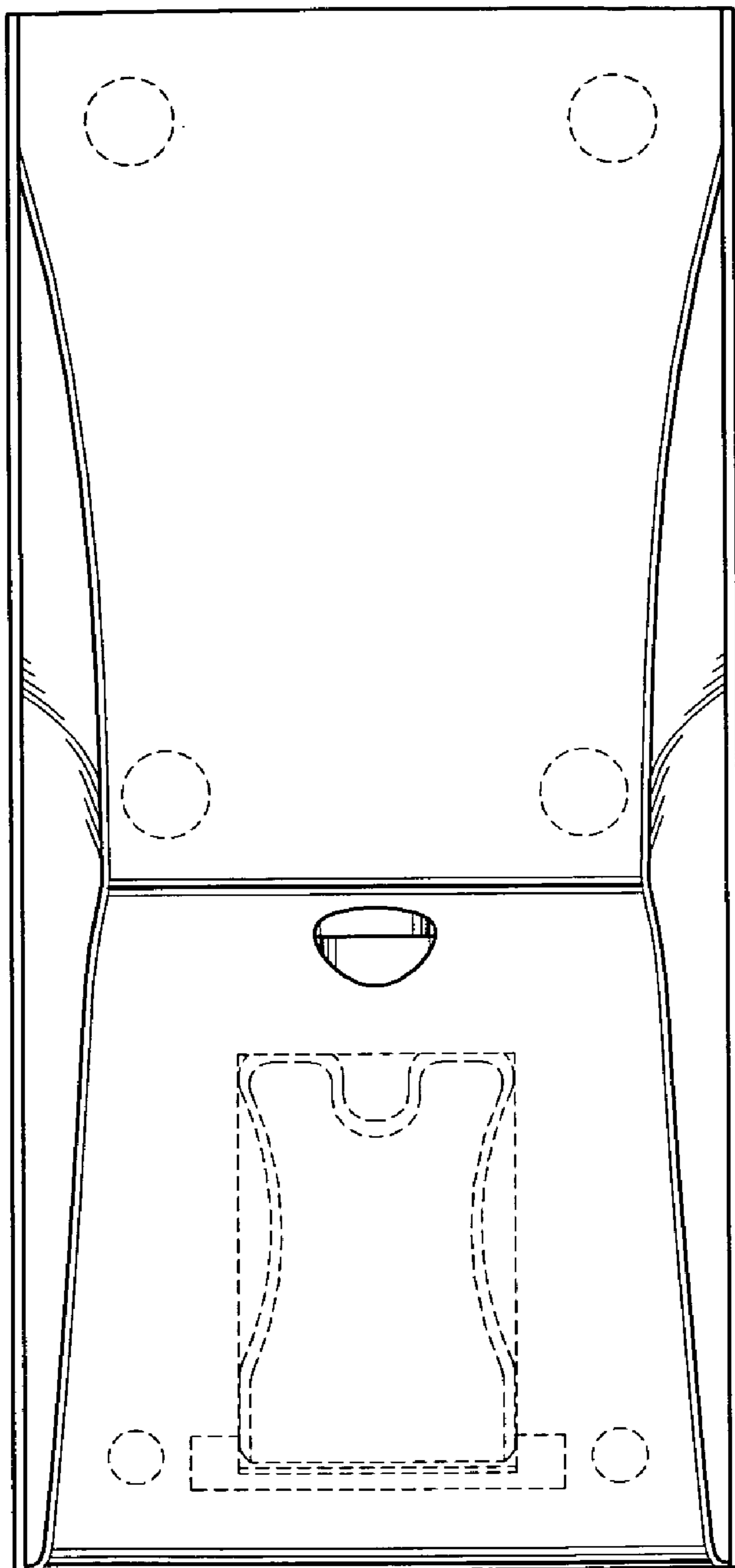


FIG . 7

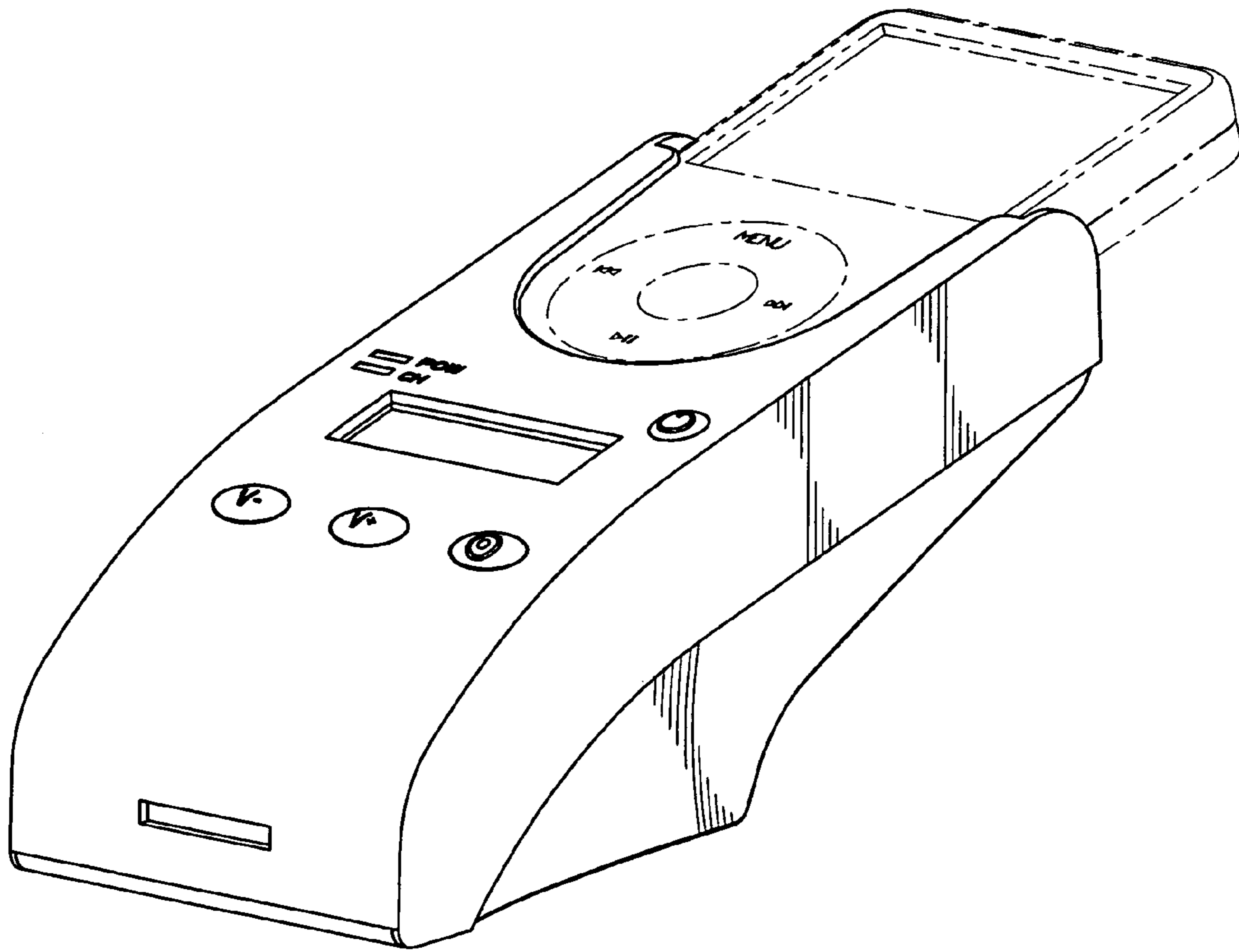


FIG . 8