



US00D581916S

(12) **United States Design Patent**
Sculler et al.

(10) **Patent No.:** **US D581,916 S**
(45) **Date of Patent:** **** Dec. 2, 2008**

(54) **FLAT PANEL DISPLAY MOUNT**
(75) Inventors: **Steven J. Sculler**, Morganville, NJ (US);
Steven R. Remy, New York, NY (US);
Michael P. Zambelli, Basking Ridge, NJ
(US); **Michael Bahrijczuk**, Englewood,
NJ (US)
(73) Assignee: **Bell'O International Corp.**,
Morganville, NJ (US)

D560,221 S * 1/2008 Hoglan et al. D14/451
D560,671 S * 1/2008 Muday et al. D14/451
D560,672 S * 1/2008 Muday et al. D14/451
D561,748 S * 2/2008 Sculler et al. D14/239
D561,749 S * 2/2008 Sculler et al. D14/239
D561,775 S * 2/2008 Wohlford et al. D14/451
D563,962 S * 3/2008 Grey D14/452
D568,890 S * 5/2008 Sculler et al. D14/451
2006/0291152 A1 * 12/2006 Bremmon 361/681
2007/0023593 A1 * 2/2007 Fedewa 248/201

* cited by examiner

(**) Term: **14 Years**
(21) Appl. No.: **29/294,337**
(22) Filed: **Jan. 4, 2008**

Primary Examiner—Philip Hyder
Assistant Examiner—Randall H Gholson
(74) *Attorney, Agent, or Firm*—Lerner, David, Littenberg,
Krumholz & Mentlik, LLP

(51) **LOC (8) Cl.** **14-03**
(52) **U.S. Cl.** **D14/239**
(58) **Field of Classification Search** D14/239,
D14/451–454, 224, 316, 375–377, 432, 439,
D14/447, 448, 455, 457, 469; D8/363, 373,
D8/349, 394; 248/514, 291.1, 125.1, 121,
248/124.1, 125.7, 278.1, 279.1, 276.1, 415,
248/284.1, 286.1, 281.11, 292.11, 181.2,
248/917–921, 126–128, 133, 178.1, 183.1,
248/183.2, 346.01, 346.03, 349.1, 371, 473,
248/474, 512; 348/825, 827, 836, 837; 600/443
See application file for complete search history.

(57) **CLAIM**

The ornamental design for a flat panel display mount, as shown and described.

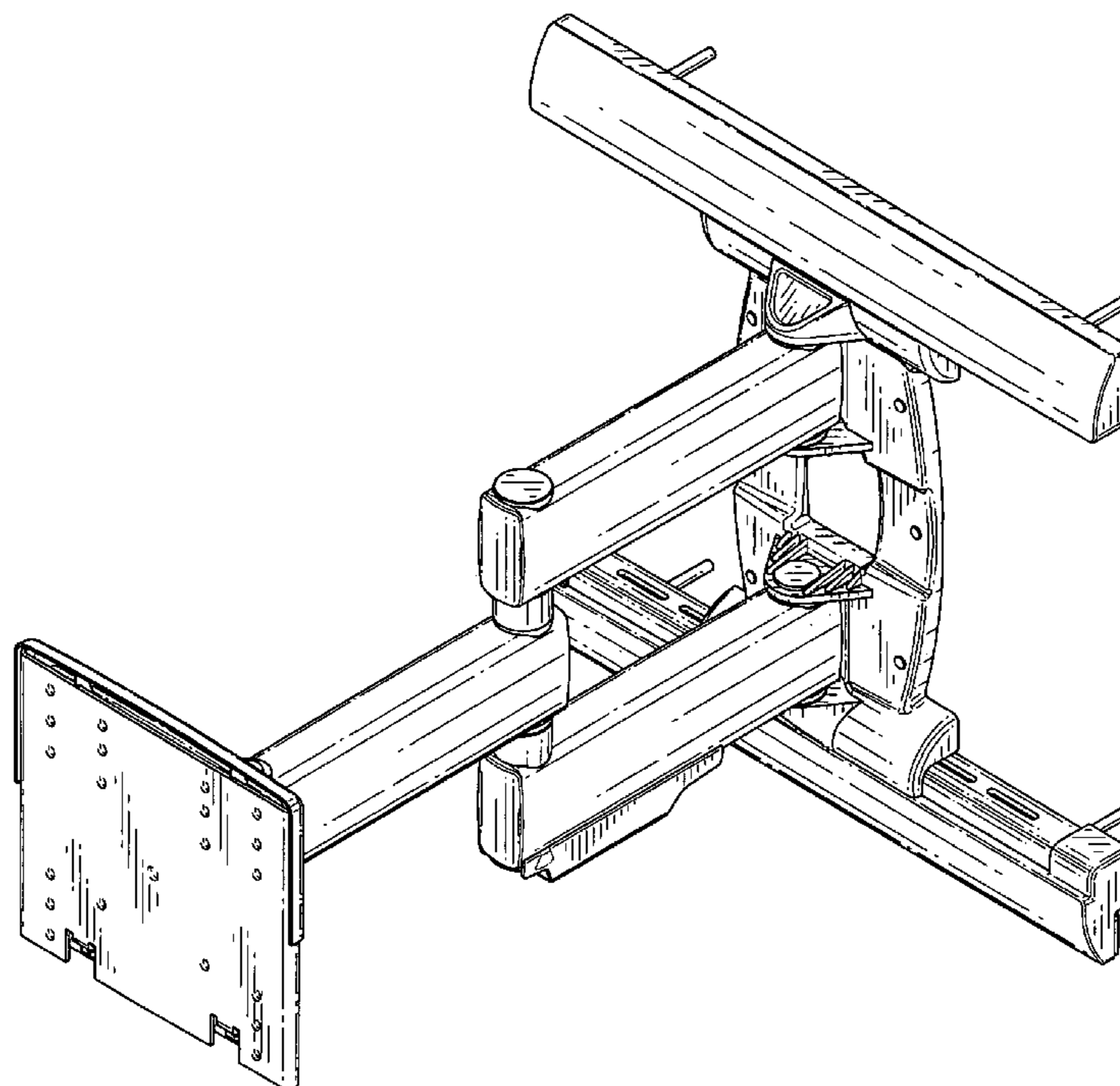
DESCRIPTION

FIG. 1 is a front perspective view of the flat panel display mount;
FIG. 2 is a front elevational view thereof;
FIG. 3 is a rear elevational view thereof;
FIG. 4 is a right side view (left side is a mirror image);
FIG. 5 is a top plan view; and,
FIG. 6 is a bottom plan view thereof.

The broken lines depict environmental structure that forms no part of the claimed design.

(56) **References Cited**
U.S. PATENT DOCUMENTS
D539,127 S * 3/2007 Ly Hau et al. D8/373
7,300,029 B2 * 11/2007 Petrick et al. 248/285.1
D559,087 S * 1/2008 Ciungan D8/363

1 Claim, 6 Drawing Sheets



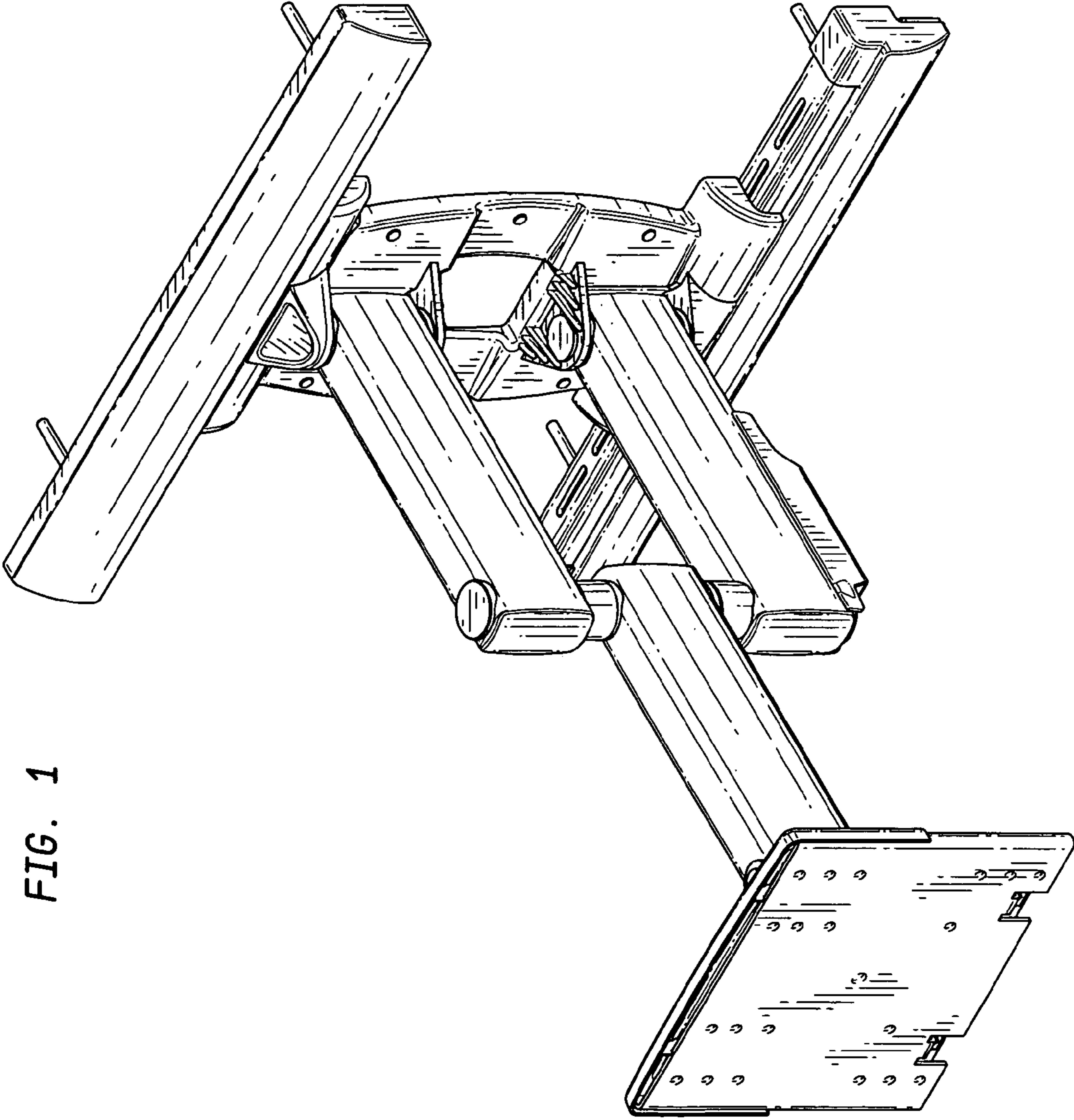


FIG. 1

FIG. 2

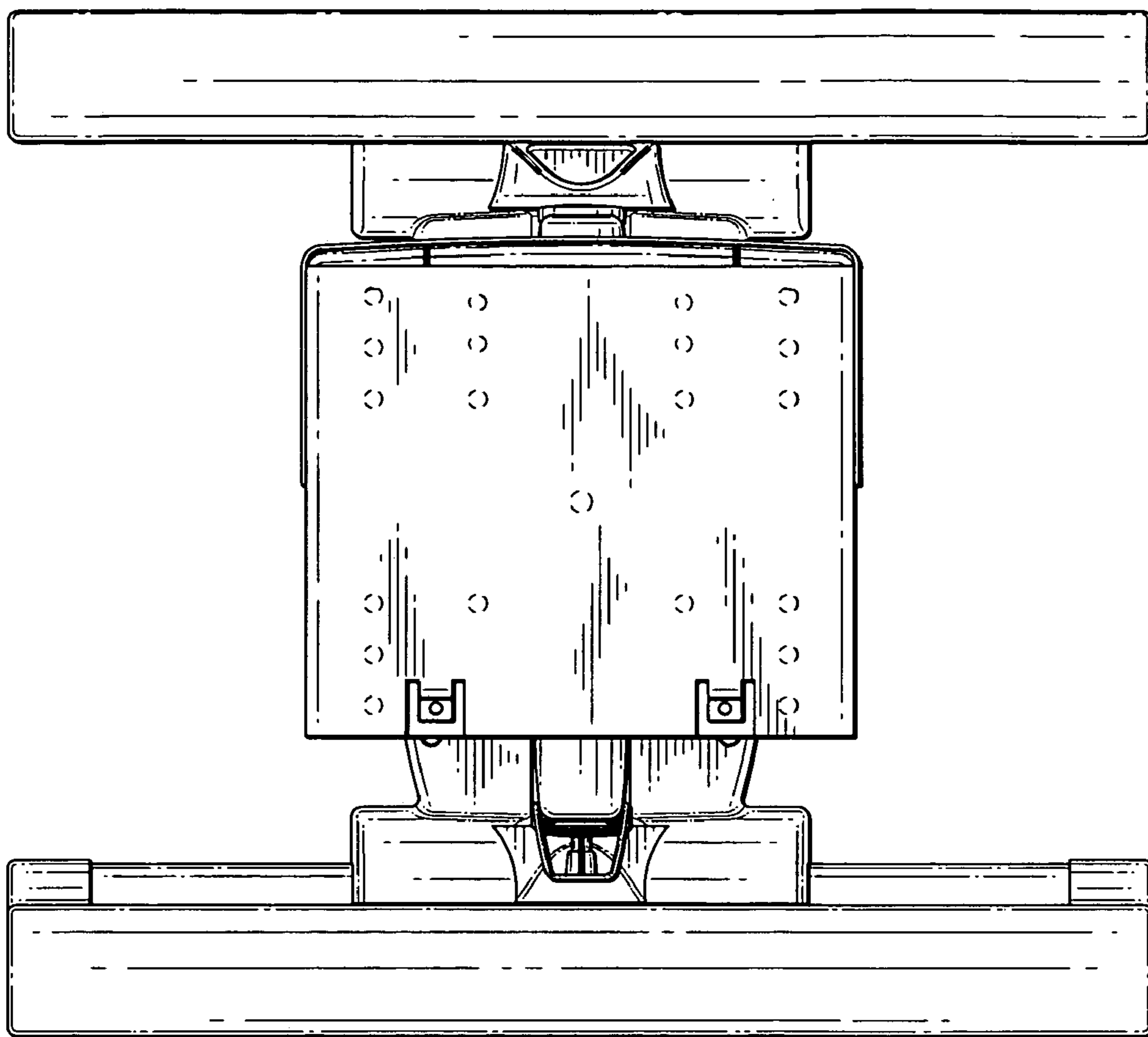
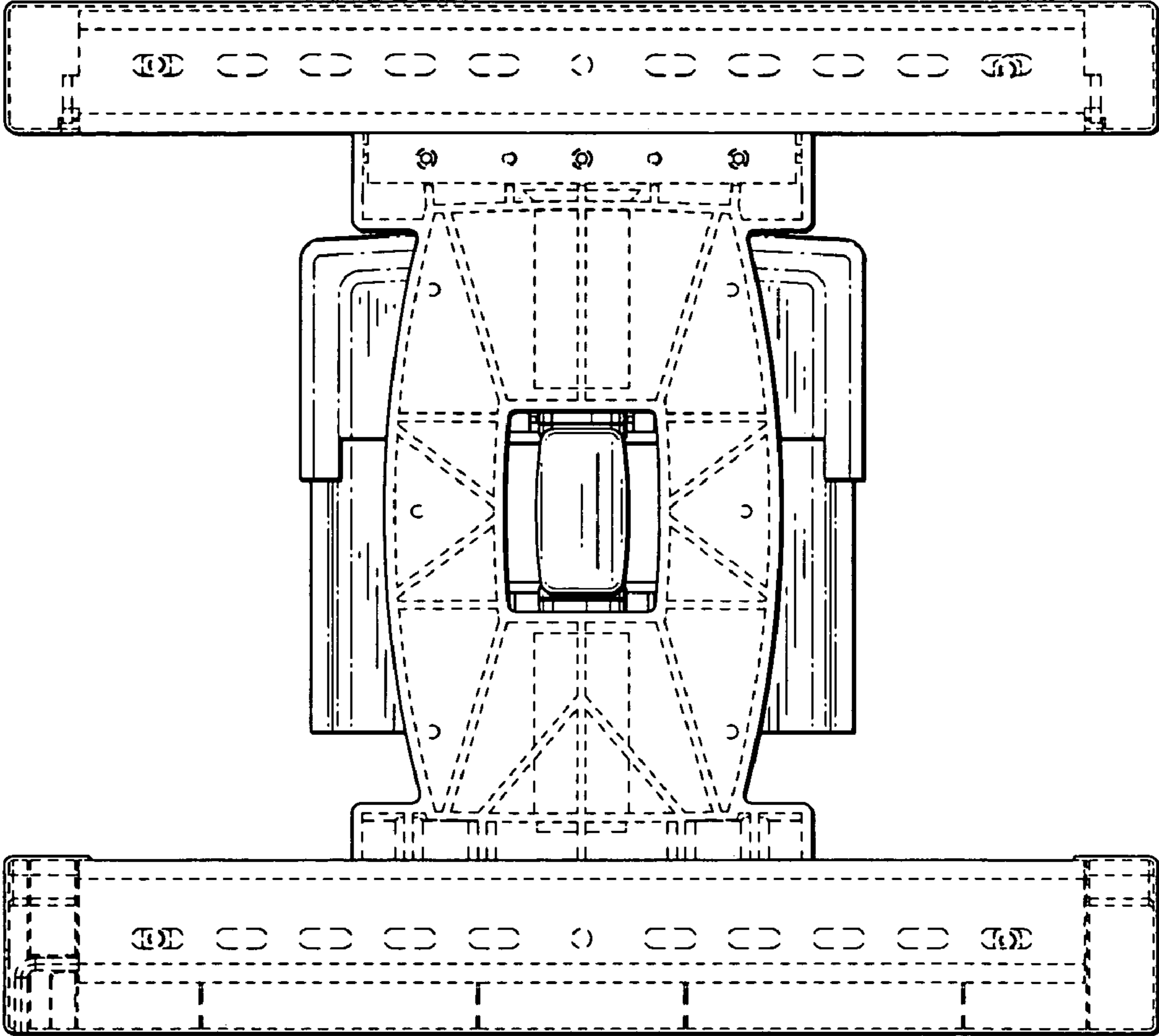


FIG. 3



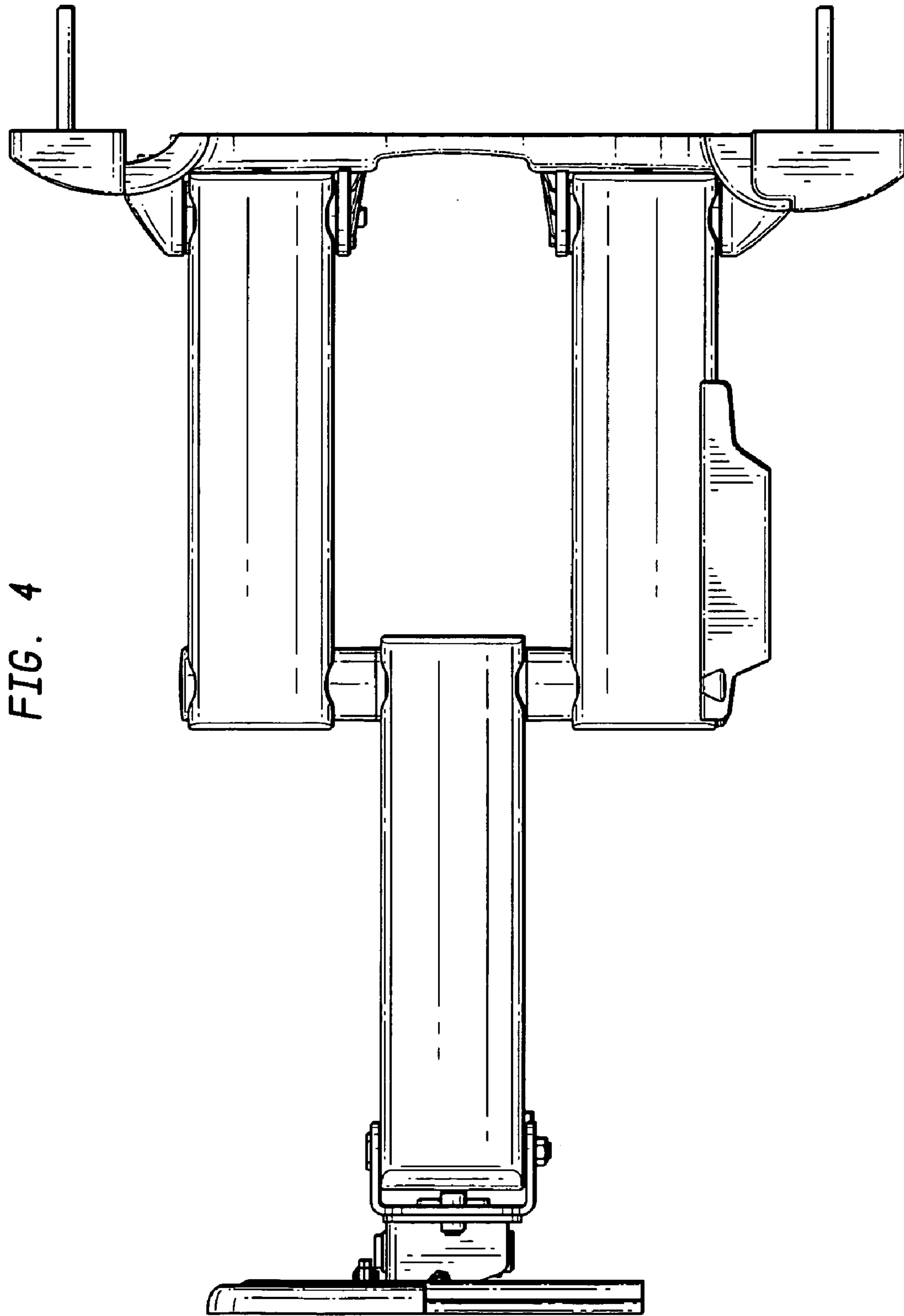


FIG. 4

FIG. 5

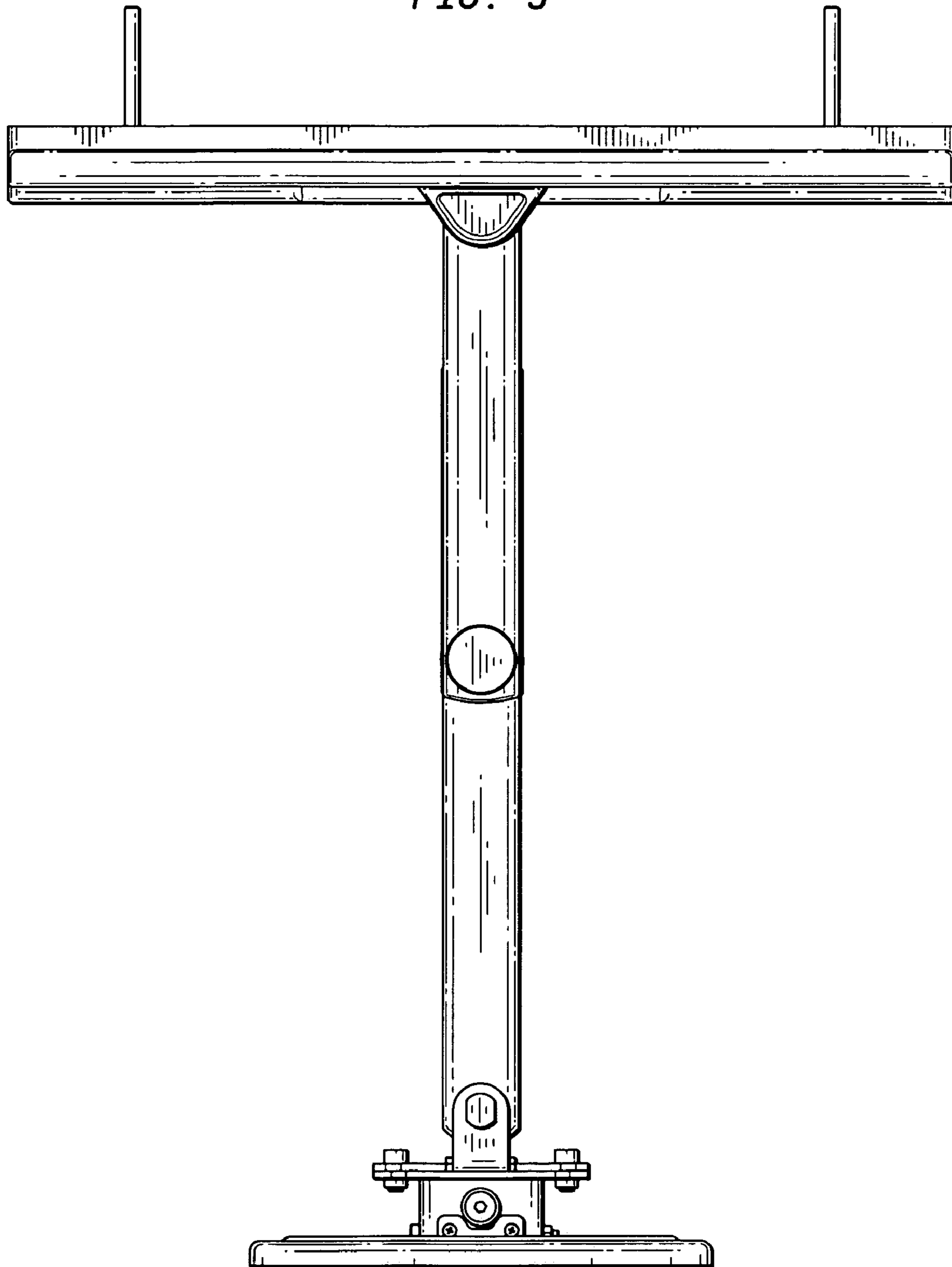


FIG. 6

