



US00D581915S

(12) **United States Design Patent**  
**Sculler et al.**

(10) **Patent No.:** **US D581,915 S**  
(45) **Date of Patent:** **\*\* Dec. 2, 2008**

(54) **FLAT PANEL DISPLAY MOUNT**

(75) Inventors: **Steven J. Sculler**, Morganville, NJ (US);  
**Steven R. Remy**, New York, NY (US);  
**Michael P. Zambelli**, Basking Ridge, NJ  
(US); **Michael Bahrijczuk**, Englewood,  
NJ (US)

(73) Assignee: **Bell'O International Corp.**,  
Morganville, NJ (US)

(\*\*) Term: **14 Years**

(21) Appl. No.: **29/294,336**

(22) Filed: **Jan. 4, 2008**

(51) **LOC (8) Cl.** ..... **14-03**

(52) **U.S. Cl.** ..... **D14/239**

(58) **Field of Classification Search** ..... D14/239,  
D14/451-454, 224, 316, 375-377, 432, 439,  
D14/447, 448, 455, 457, 469; D8/363, 373,  
D8/349, 394; 248/278.1, 279.1, 514, 291.1,  
248/125.1, 121, 124.1, 125.7, 276.1, 415,  
248/284.1, 286.1, 281.11, 292.11, 181.2,  
248/917-921, 126-128, 133, 178.1, 183.1,  
248/183.2, 346.01, 346.03, 349.1, 371, 473,  
248/474, 512; 348/825, 827, 836, 837; 600/443  
See application file for complete search history.

(56) **References Cited**

**U.S. PATENT DOCUMENTS**

D539,127 S \* 3/2007 Ly Hau et al. .... D8/373  
7,300,029 B2 \* 11/2007 Petrick et al. .... 248/285.1  
D559,087 S \* 1/2008 Ciungan ..... D8/363

D560,221 S \* 1/2008 Hoglan et al. .... D14/451  
D560,671 S \* 1/2008 Muday et al. .... D14/451  
D560,672 S \* 1/2008 Muday et al. .... D14/451  
D561,748 S \* 2/2008 Sculler et al. .... D14/239  
D561,749 S \* 2/2008 Sculler et al. .... D14/239  
D561,775 S \* 2/2008 Wohlford et al. .... D14/451  
D563,962 S \* 3/2008 Grey ..... D14/452  
D568,890 S \* 5/2008 Sculler et al. .... D14/451  
2006/0291152 A1 \* 12/2006 Bremmon ..... 361/681  
2007/0023593 A1 \* 2/2007 Fedewa ..... 248/201

\* cited by examiner

*Primary Examiner*—Philip Hyder

*Assistant Examiner*—Randall H Gholson

(74) *Attorney, Agent, or Firm*—Lerner, David, Littenberg,  
Krumholz & Mentlik, LLP

(57) **CLAIM**

The ornamental design for a flat panel display mount, as shown and described.

**DESCRIPTION**

FIG. 1 is a front perspective view of the flat panel display mount;

FIG. 2 is a front elevational view thereof;

FIG. 3 is a rear elevational view thereof;

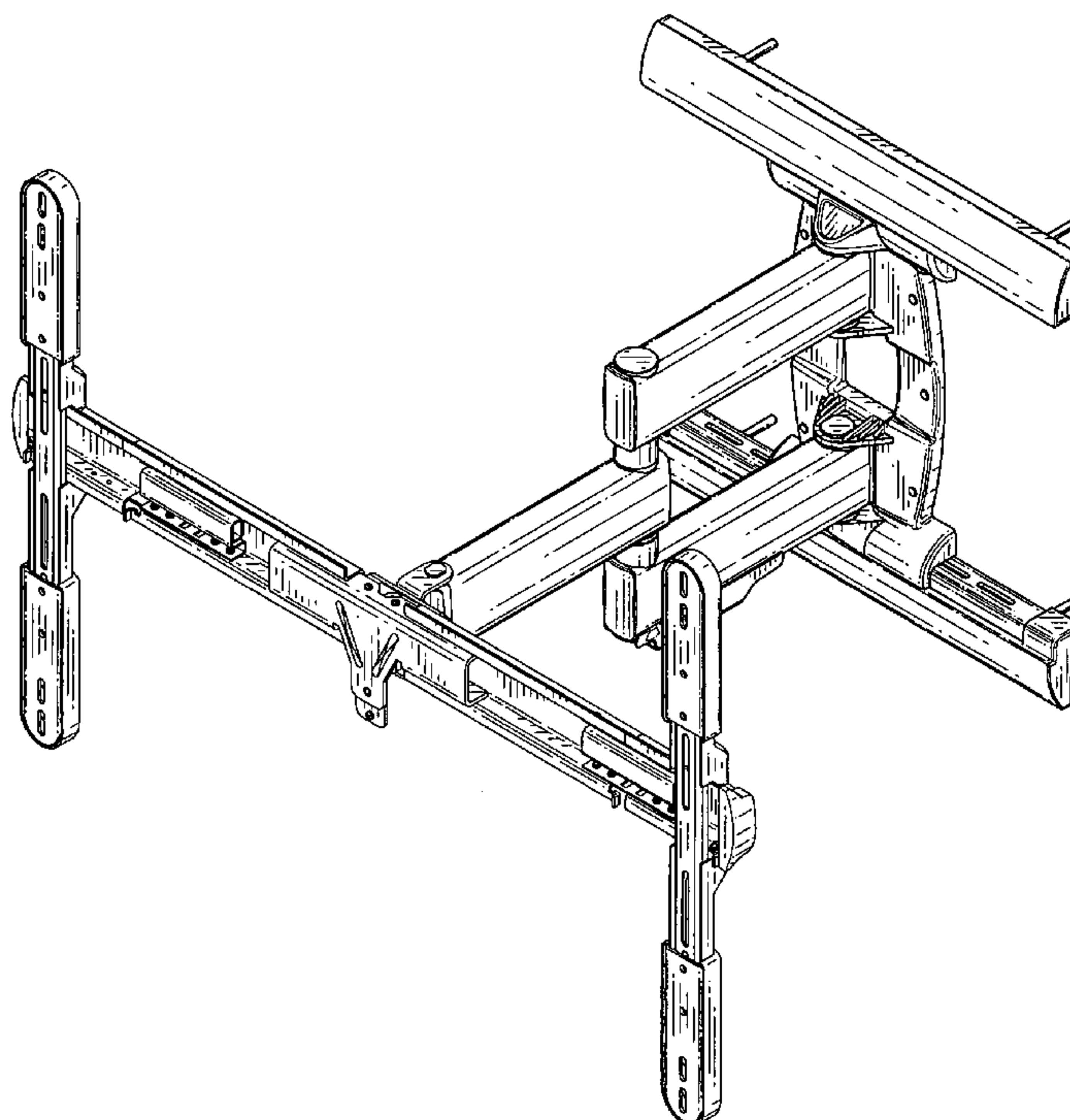
FIG. 4 is a right side view (left side is a mirror image);

FIG. 5 is a top plan view; and,

FIG. 6 is a bottom plan view thereof.

The broken lines showing of portions of the design form no part of the claimed design.

**1 Claim, 6 Drawing Sheets**



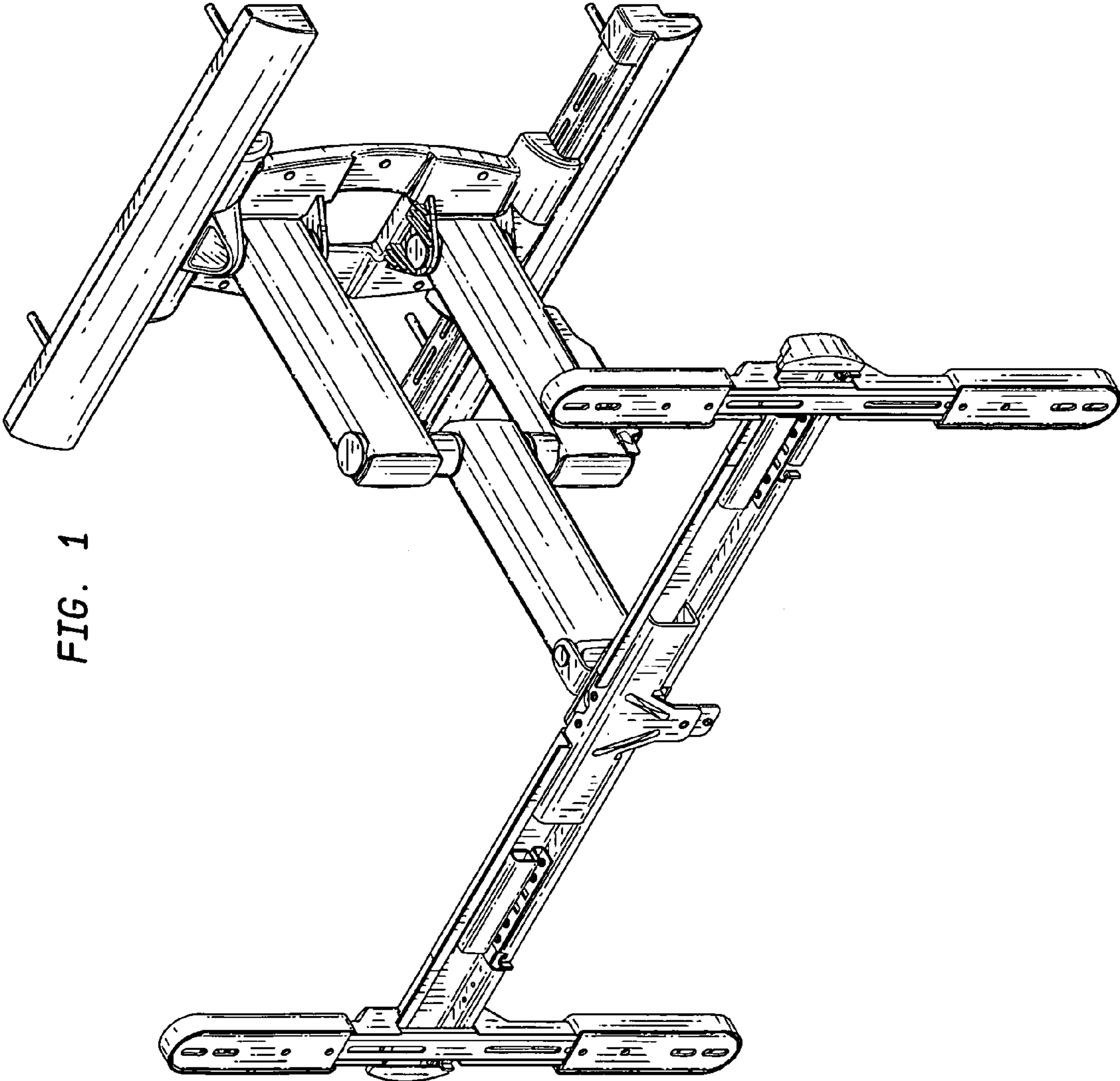


FIG. 1

FIG. 2

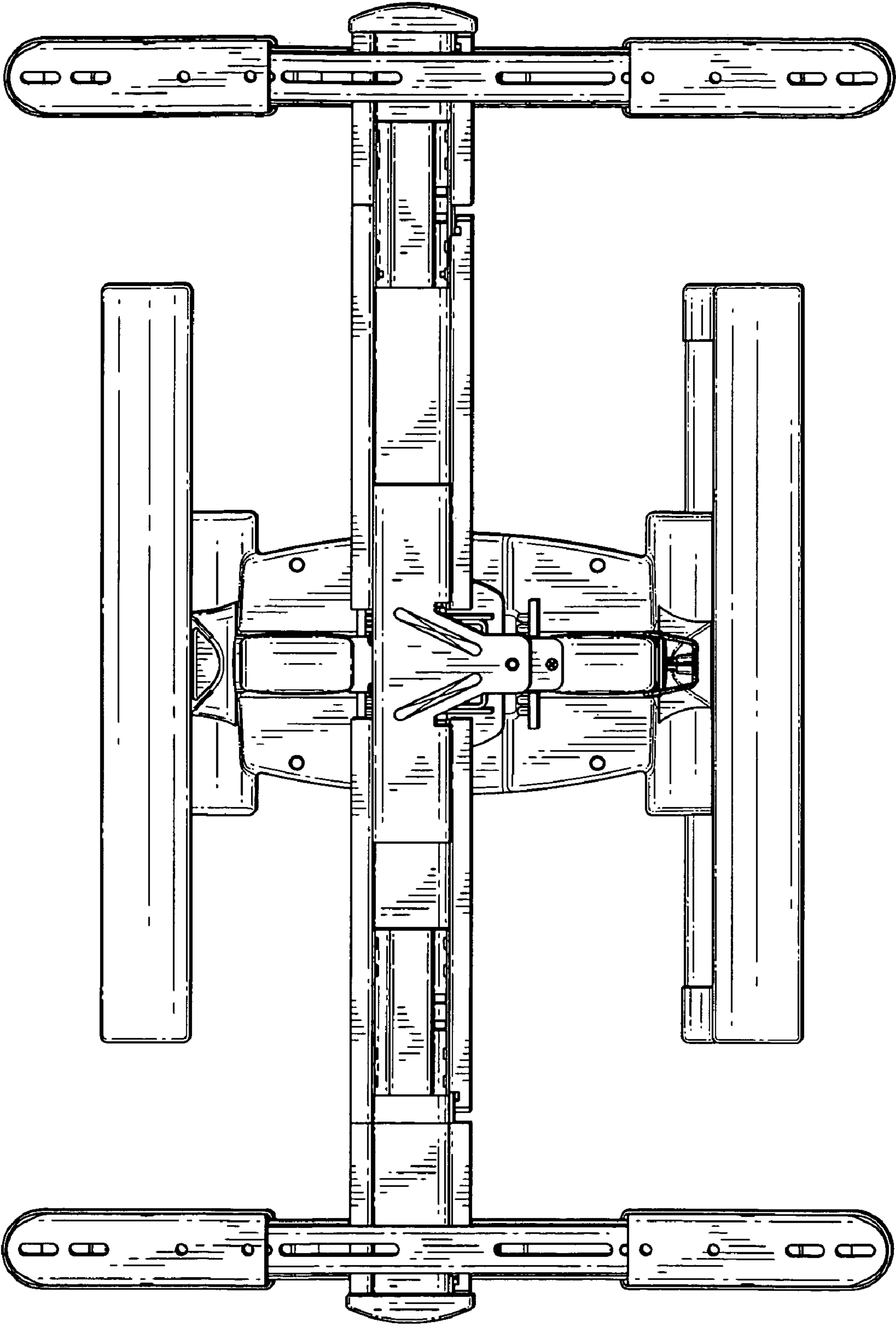


FIG. 3

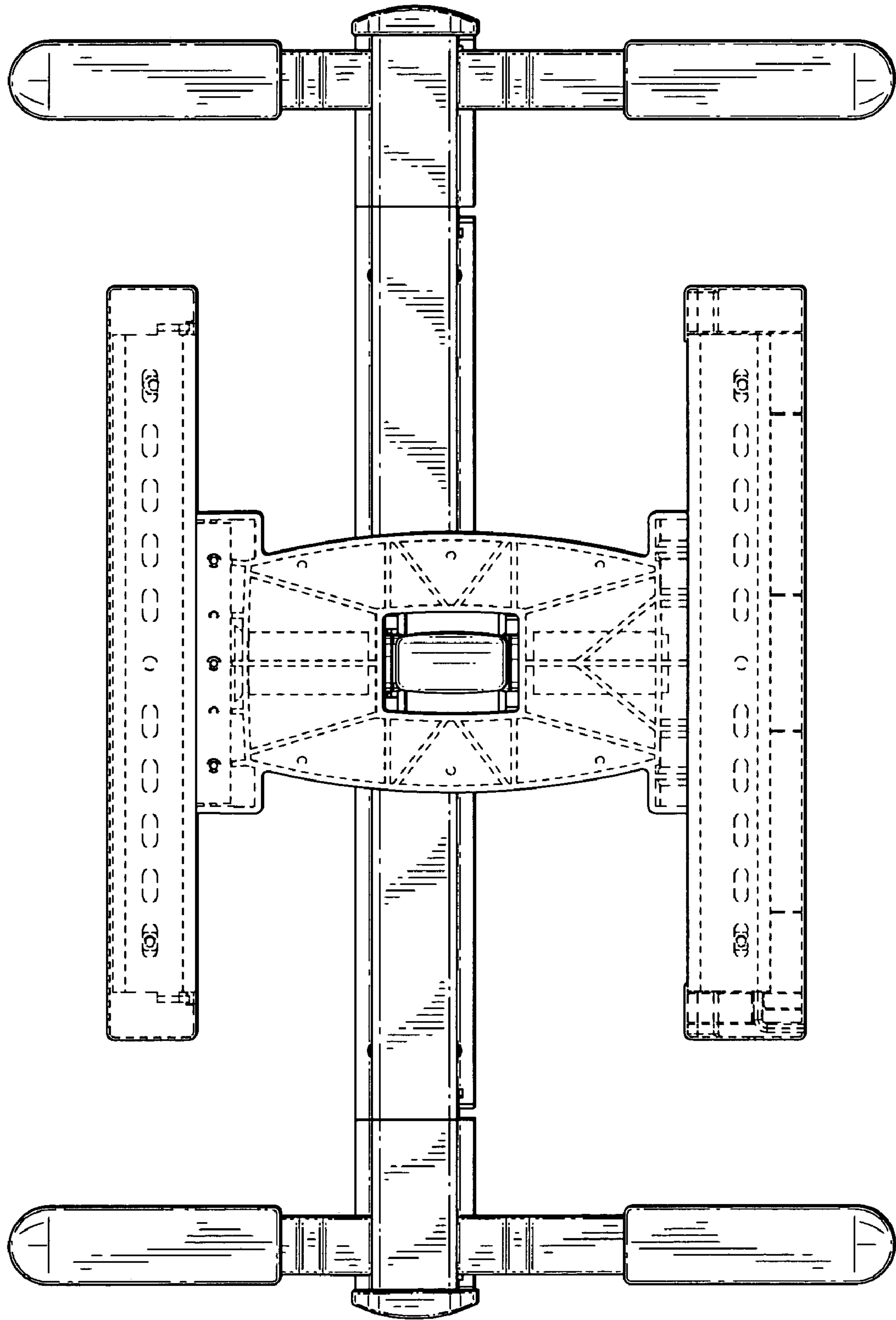




FIG. 4

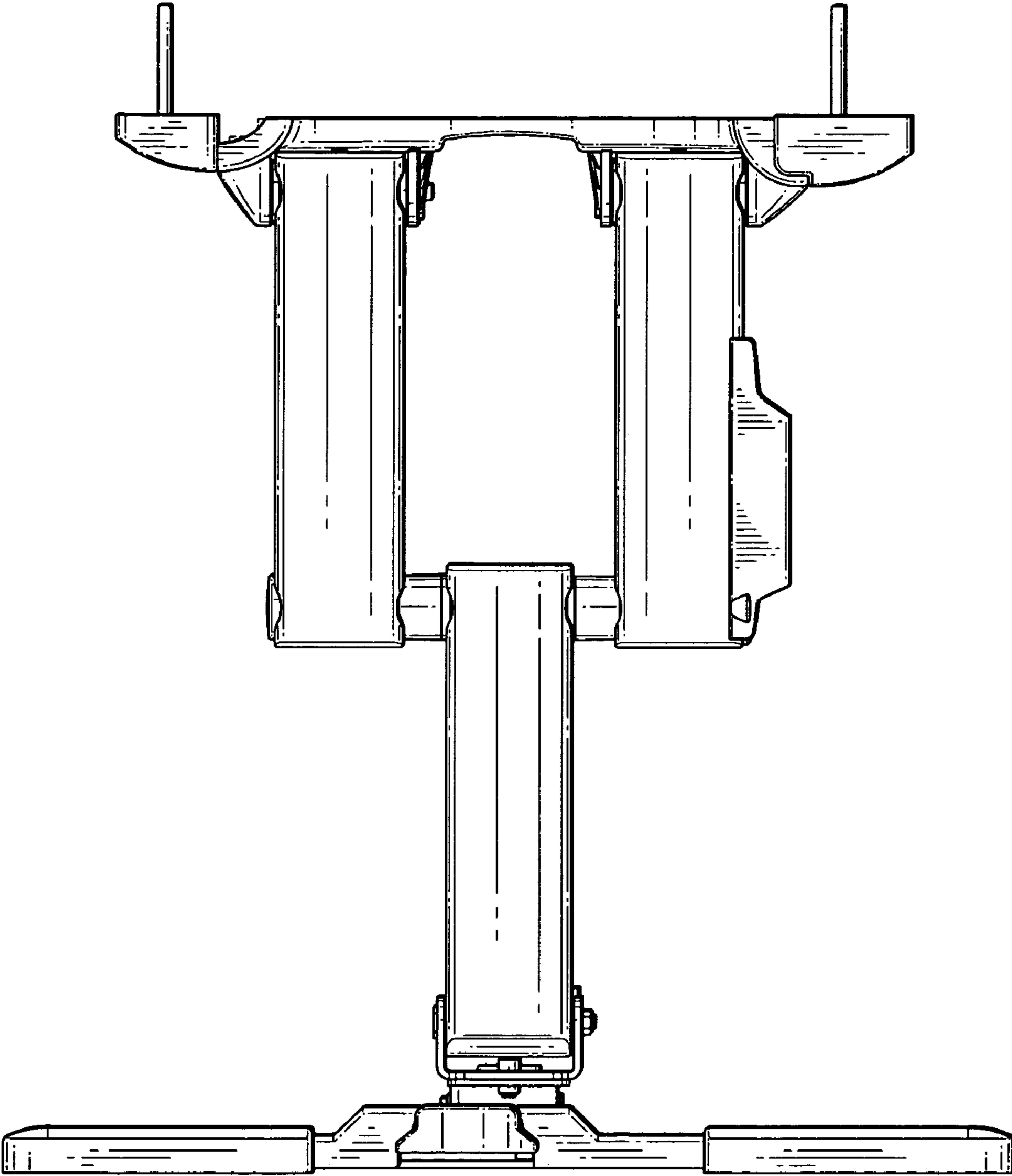
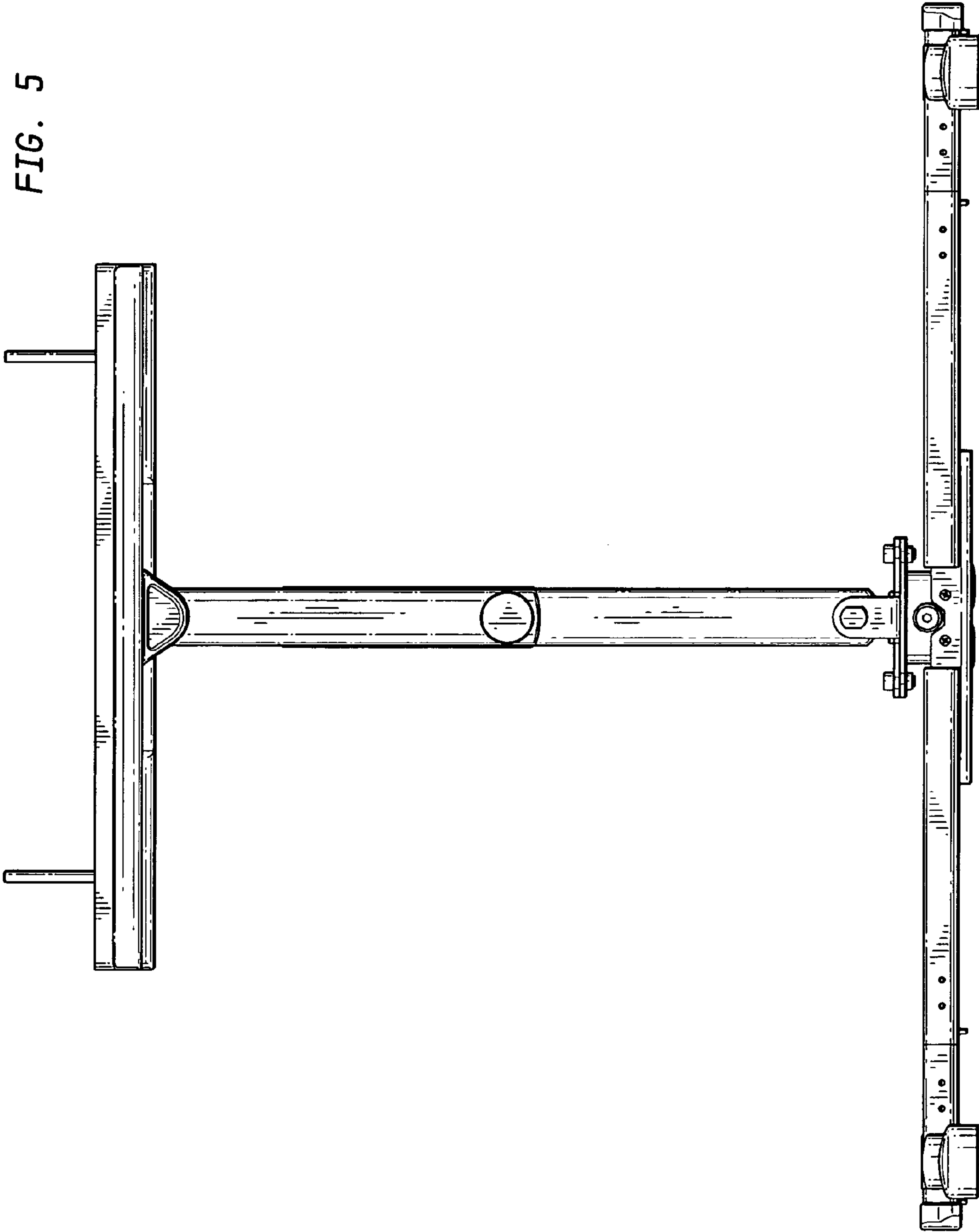


FIG. 5



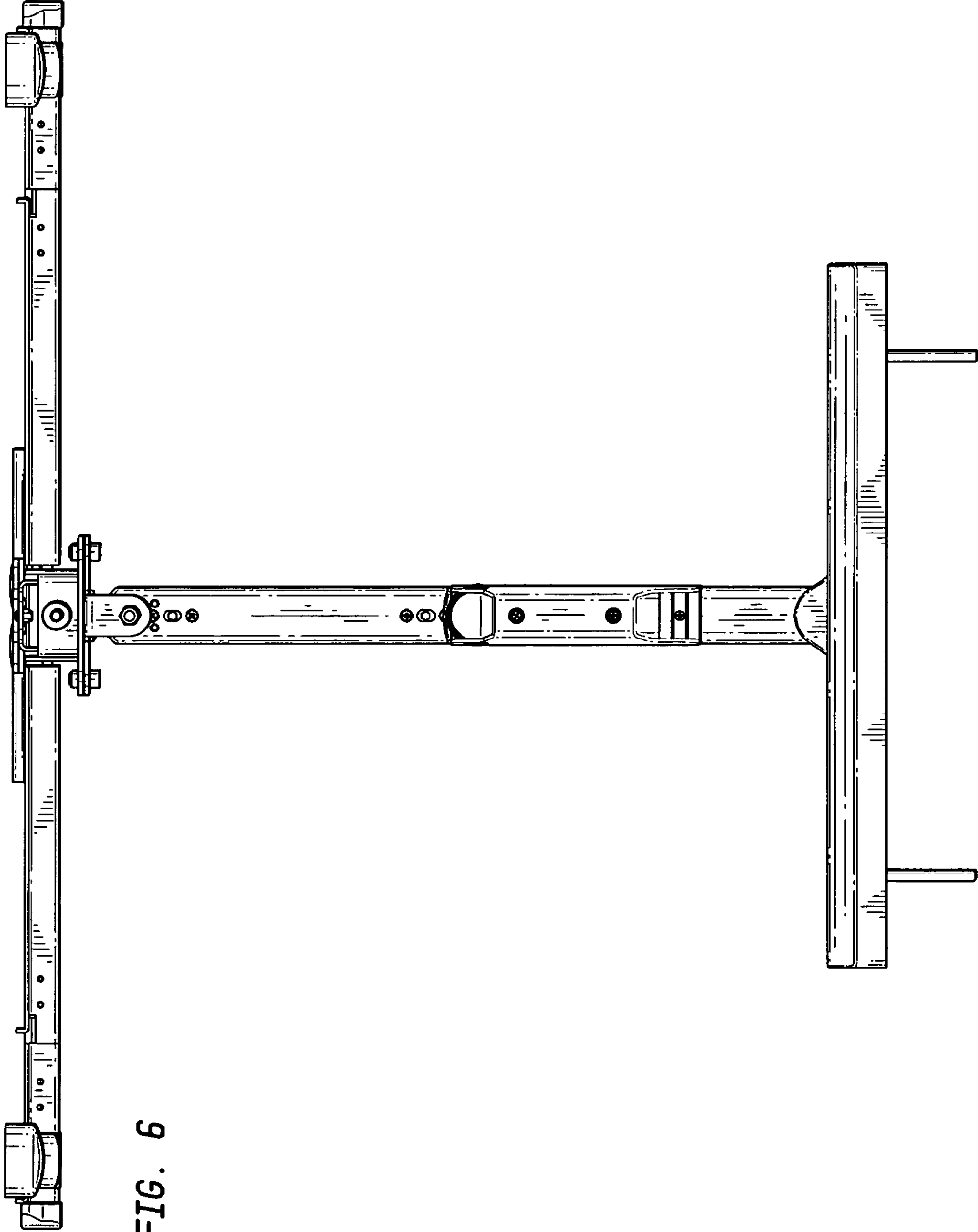


FIG. 6