



US00D581914S

(12) **United States Design Patent**
Bures et al.

(10) **Patent No.:** **US D581,914 S**
(45) **Date of Patent:** **** Dec. 2, 2008**

(54) **CEILING MOUNT FOR ELECTRONIC DISPLAY**

(75) Inventors: **Joe Bures**, Columbia Heights, MN (US); **Dominic Grey**, Blaine, MN (US); **Jim Wohlford**, Edina, MN (US)

(73) Assignee: **Milestone AV Technologies LLC**, Savage, MN (US)

(**) Term: **14 Years**

(21) Appl. No.: **29/282,347**

(22) Filed: **Jul. 17, 2007**

(51) **LOC (8) Cl.** **14-03**

(52) **U.S. Cl.** **D14/239**

(58) **Field of Classification Search** D14/125-134, D14/239, 451-454, 224, 316, 375-377, 432, D14/439, 447, 448, 455, 457, 469; D8/363, D8/373, 349, 394; 248/126, 278.1, 279.1, 248/514, 291.1, 125.1, 121, 124.1, 125.7, 248/276.1, 415, 284.1, 286.1, 281.11, 292.11, 248/181.2, 917-921, 127, 128, 133, 178.1, 248/183.1, 183.2, 346.01, 346.03, 349.1, 248/371, 473, 474, 512; 348/825, 827, 836, 348/837; 600/443

See application file for complete search history.

(56) **References Cited**

U.S. PATENT DOCUMENTS

1,675,391 A	7/1928	Stockbridge
2,271,935 A	2/1942	Buchanan et al.
2,896,893 A	7/1959	Oliver
2,924,420 A	2/1960	Fink
3,306,399 A	2/1967	Flannelly
3,314,503 A	4/1967	Neubert
3,574,340 A	4/1971	Busche
3,711,624 A	1/1973	Dulhunty
4,011,929 A	3/1977	Jeram et al.
4,167,646 A	9/1979	Mathieu

4,238,104 A	12/1980	Hamilton
D269,945 S	8/1983	Carney
D270,689 S	9/1983	Boscacci
4,403,681 A	9/1983	Desjardins
4,620,060 A	10/1986	Perinetti

(Continued)

Primary Examiner—Raphael Barkai

Assistant Examiner—Randall H Gholson

(74) *Attorney, Agent, or Firm*—Patterson, Thuente, Skaar & Christensen PA

(57) **CLAIM**

We claim the ornamental design for ceiling mount for electronic display, as shown.

DESCRIPTION

FIG. 1 is a front perspective view of a ceiling mount for electronic display according to an embodiment of the invention;

FIG. 2 is a top plan view of the ceiling mount for electronic display depicted in FIG. 1;

FIG. 3 is a bottom plan view of the ceiling mount for electronic display depicted in FIG. 1;

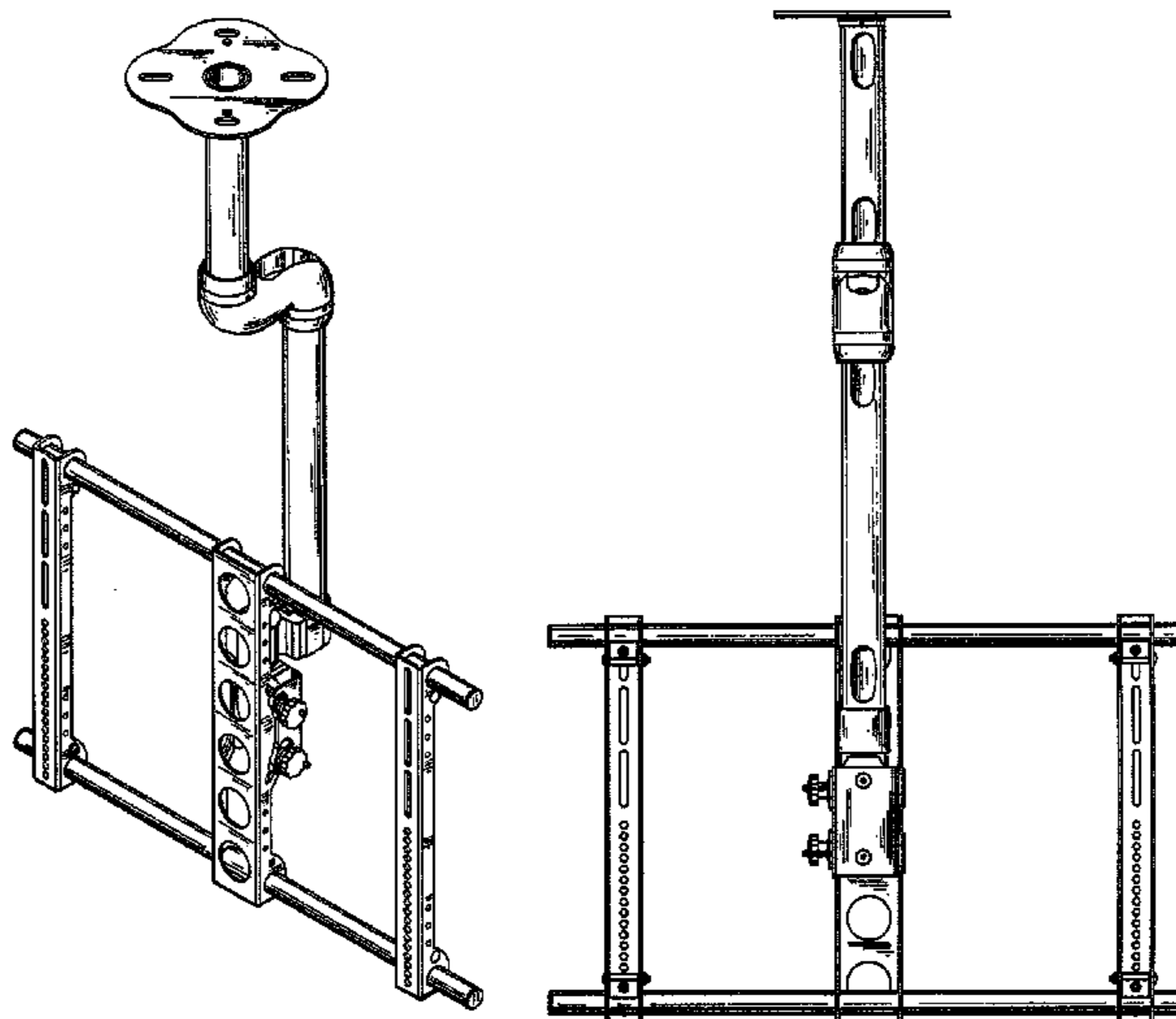
FIG. 4 is a side elevation view of the ceiling mount for electronic display depicted in FIG. 1;

FIG. 5 is a front elevation view of the ceiling mount for electronic display depicted in FIG. 1;

FIG. 6 is an opposing side elevation view of the ceiling mount for electronic display depicted in FIG. 1; and,

FIG. 7 is a rear elevation view of the ceiling mount for electronic display depicted in FIG. 1.

1 Claim, 3 Drawing Sheets



US D581,914 S

Page 2

U.S. PATENT DOCUMENTS

4,706,788	A	11/1987	Inman et al.	D435,852	S	1/2001	Oddsens, Jr.
4,736,701	A	4/1988	Kondo et al.	6,409,134	B1	6/2002	Oddsens, Jr.
4,836,486	A	6/1989	Vossoughi et al.	6,409,139	B1	6/2002	Du Pree
4,863,133	A	9/1989	Bonnell	6,443,412	B1	9/2002	Kuhn
D309,562	S	7/1990	Boscacci et al.	6,508,343	B2	1/2003	Misaji et al.
4,958,437	A	9/1990	Helms	6,695,270	B1	2/2004	Smed
4,964,606	A	10/1990	Beam et al.	D493,800	S *	8/2004	Pfister et al. D14/451
4,993,676	A	2/1991	Fitts et al.	D495,714	S	9/2004	Pfister
5,042,162	A	8/1991	Helms	D496,367	S	9/2004	Pfister
5,092,552	A	3/1992	Dayton et al.	6,857,610	B1	2/2005	Conner et al.
D331,921	S	12/1992	Gutke et al.	6,874,743	B2	4/2005	Watanabe et al.
D332,562	S	1/1993	Fremont et al.	D507,477	S	7/2005	Pfister
D345,905	S	4/1994	Hallgren	6,962,314	B2	11/2005	Hsu
D347,841	S	6/1994	Rossman et al.	7,028,961	B1	4/2006	Dittmer et al.
5,405,117	A *	4/1995	Davis 248/333	D520,017	S	5/2006	van Kuijk et al.
5,487,524	A *	1/1996	Bergetz 248/613	D521,850	S	5/2006	Richter et al.
D367,421	S	2/1996	Powers	7,191,997	B2	3/2007	Bremmon et al.
5,549,282	A	8/1996	Ikeda	D549,063	S	8/2007	Pribyl et al.
5,564,536	A	10/1996	Lai	D560,671	S *	1/2008	Muday et al. D14/451
D377,897	S	2/1997	Vogels	7,320,454	B2 *	1/2008	Lee et al. 248/343
D389,334	S	1/1998	Attridge	D561,775	S *	2/2008	Wohlford et al. D14/451
5,735,257	A	4/1998	Walk	D563,962	S *	3/2008	Grey D14/452
6,070,850	A	6/2000	Lehman	2004/0159757	A1	8/2004	Pfister
6,134,964	A	10/2000	Jaenker et al.	2008/0011927	A1 *	1/2008	Park 248/324

* cited by examiner

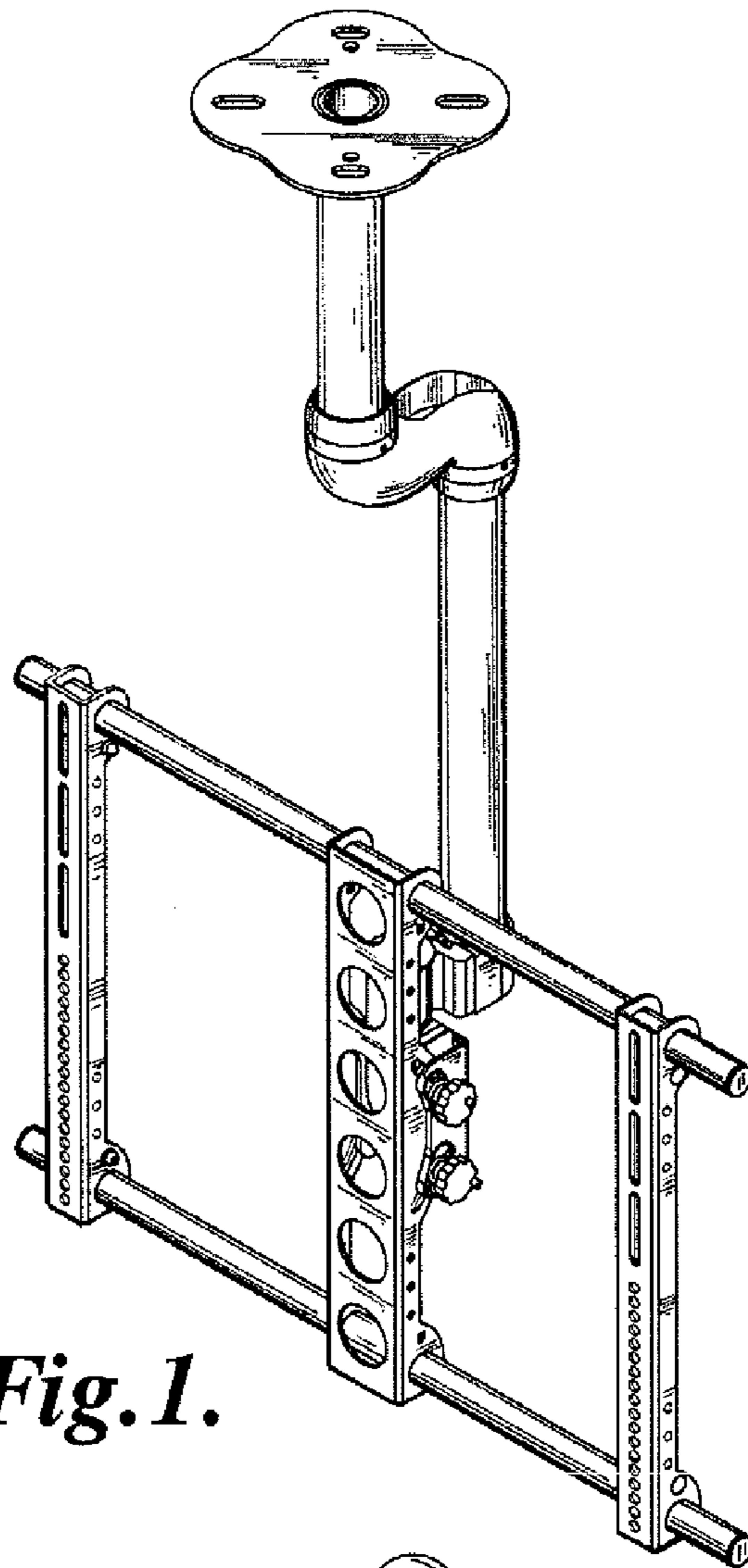


Fig. 1.

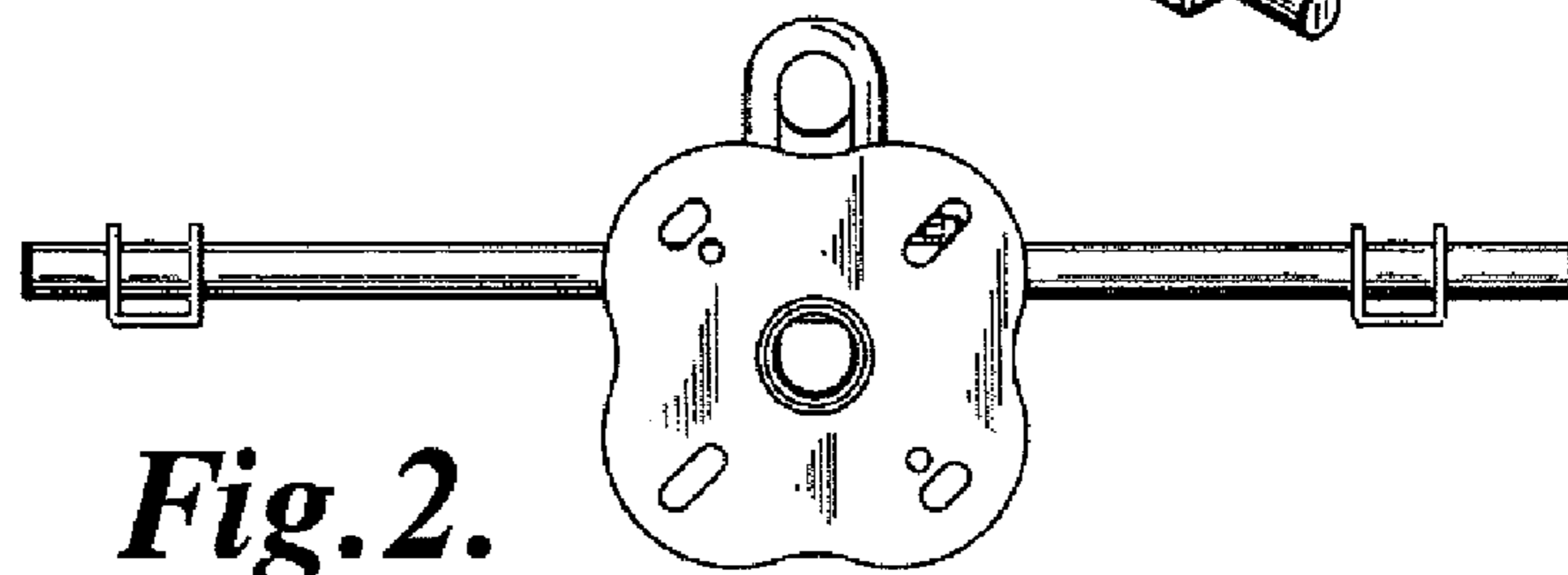


Fig. 2.

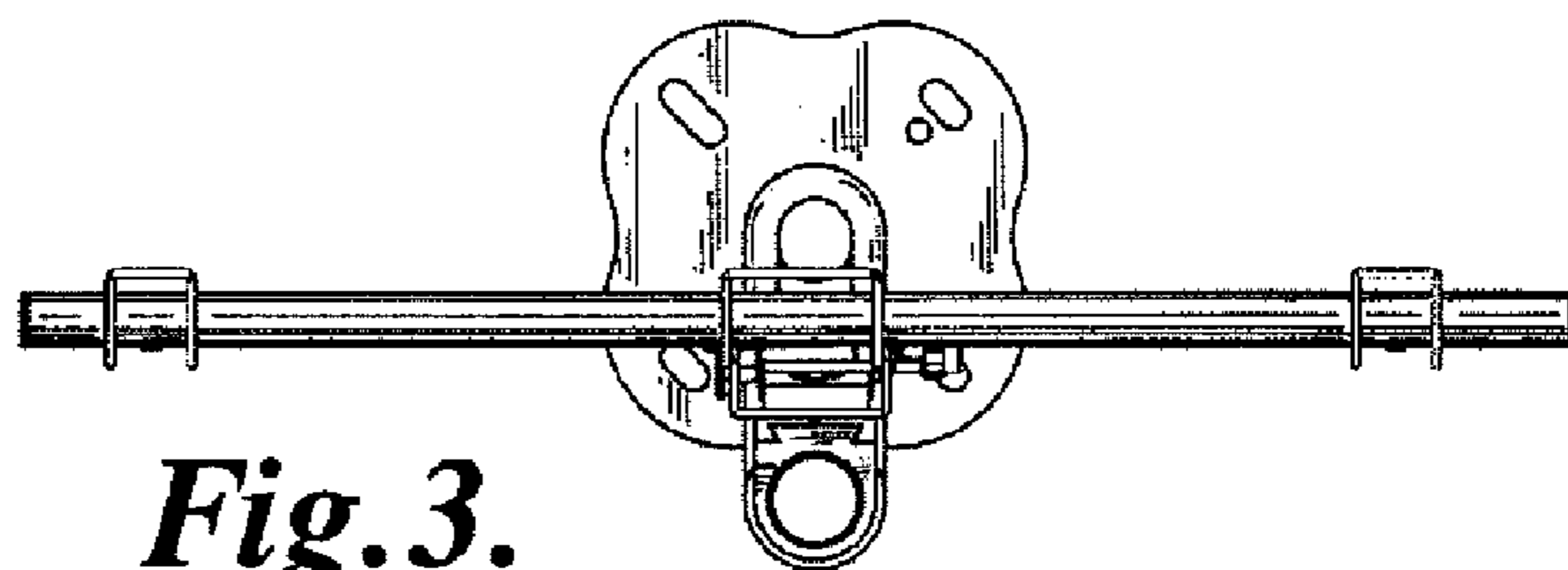


Fig. 3.

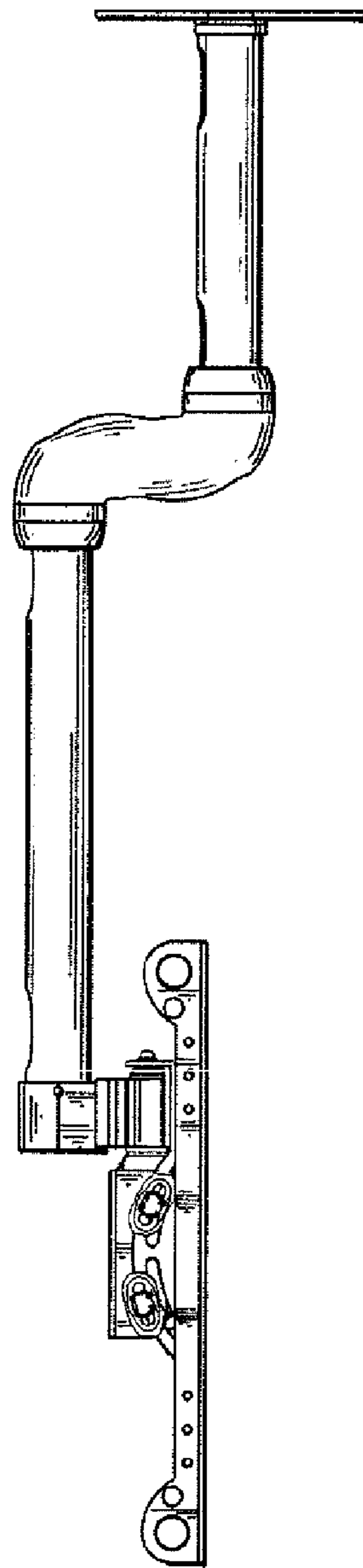


Fig. 4.

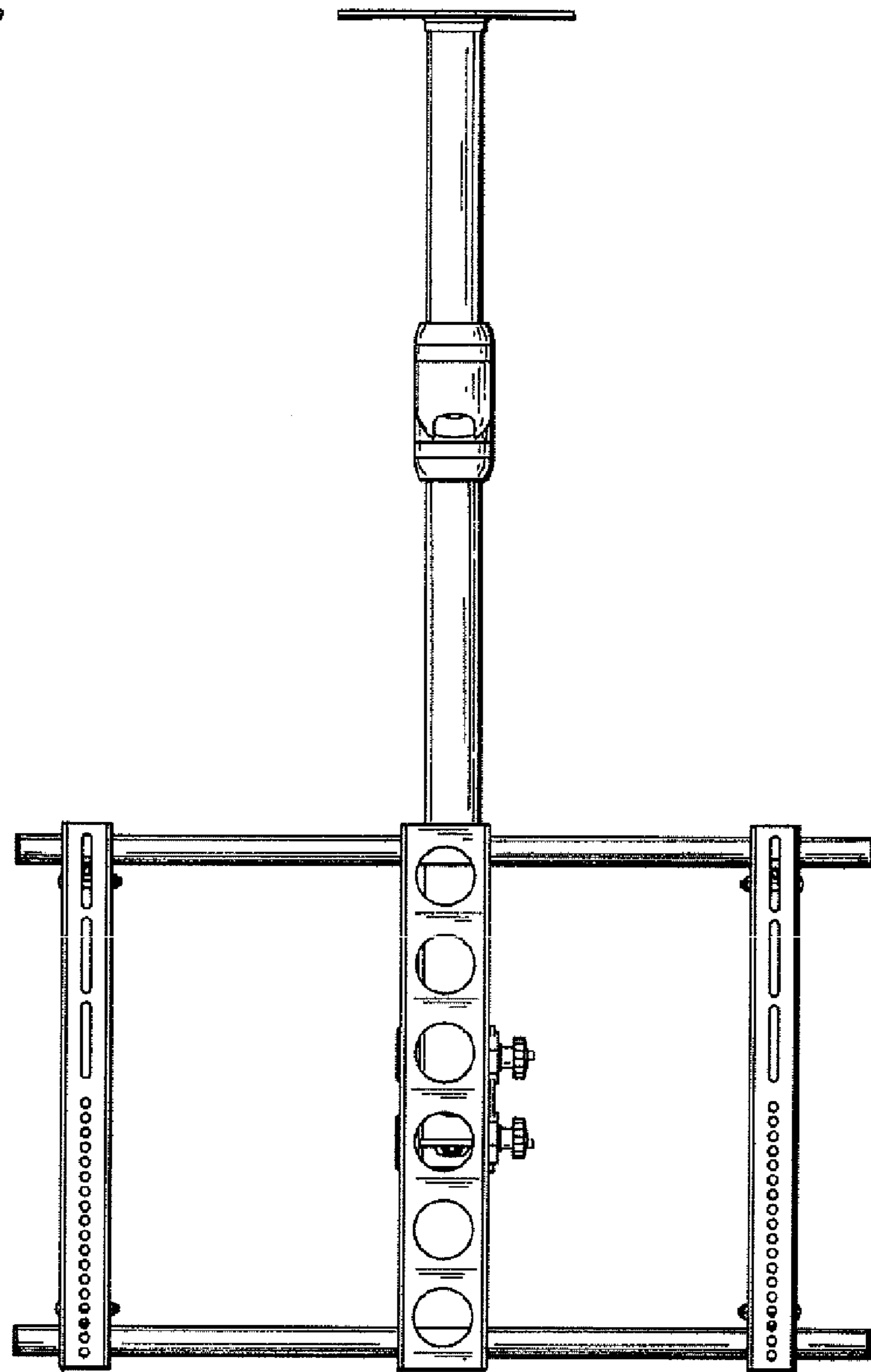


Fig. 5.

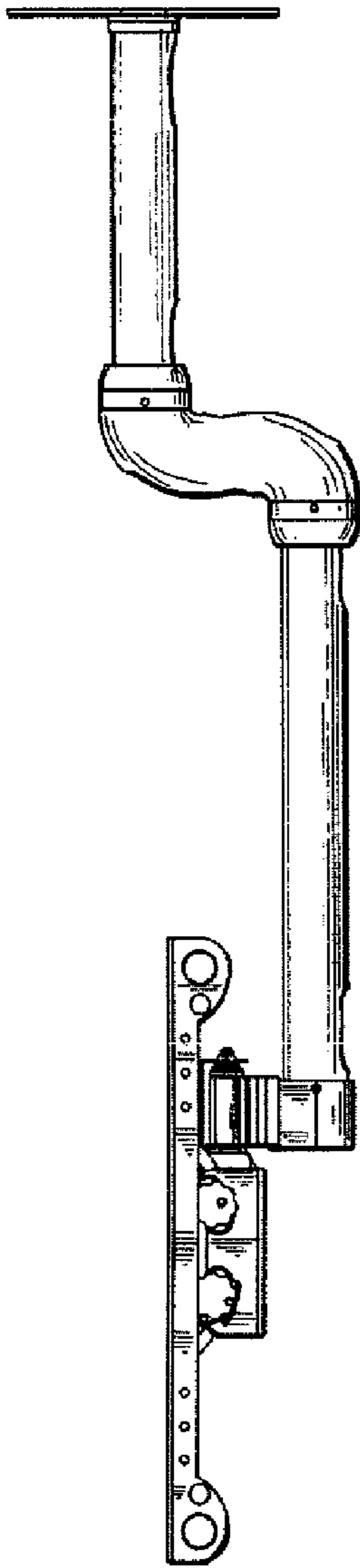


Fig. 6.

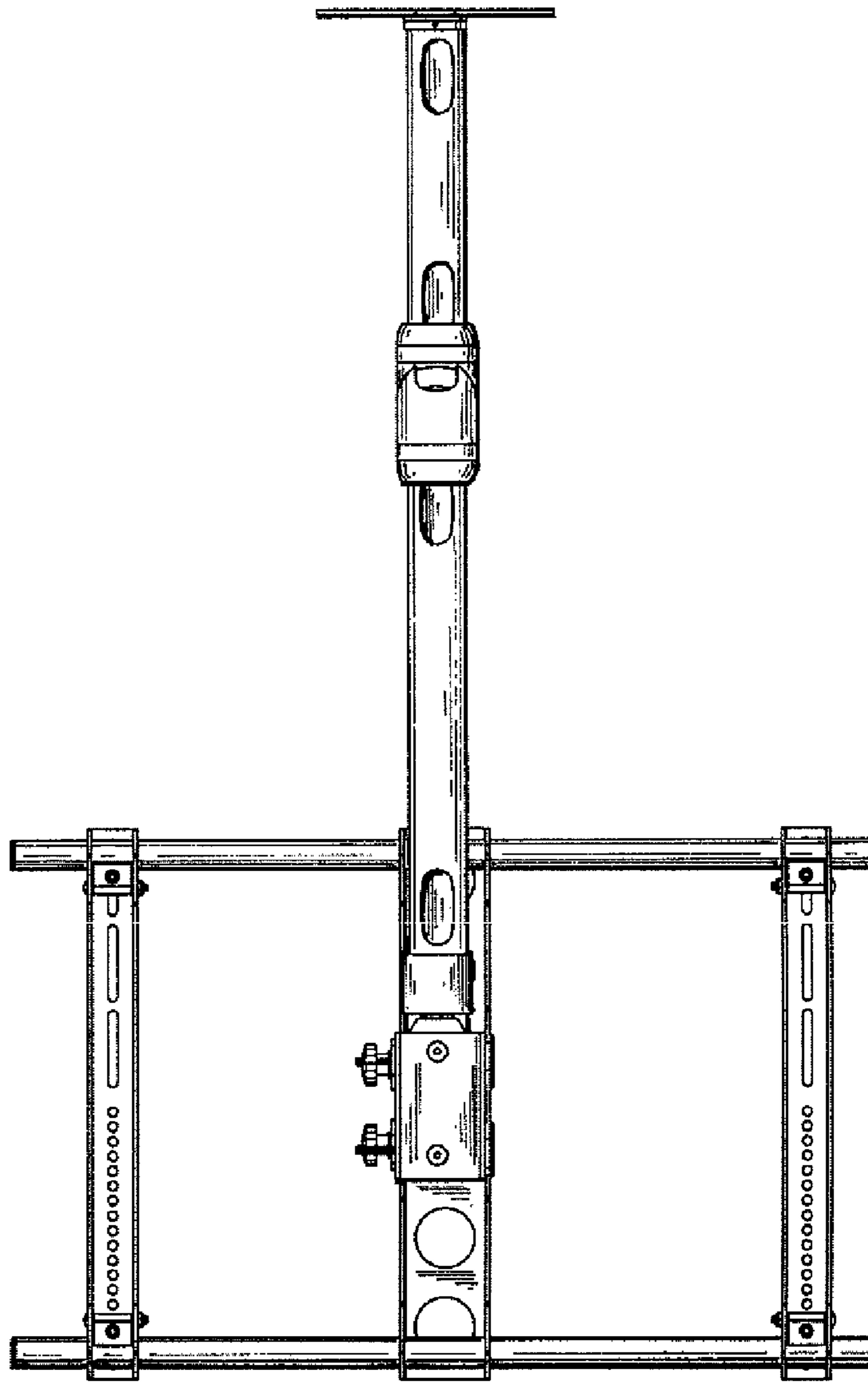


Fig. 7.