



US00D581911S

(12) **United States Design Patent**
Ferguson

(10) **Patent No.:** **US D581,911 S**
(45) **Date of Patent:** **** Dec. 2, 2008**

(54) **SATELLITE DISH COVER**

(76) Inventor: **Antonio Ferguson**, 4831 Songbird Dr.,
Columbus, OH (US) 43229

(**) Term: **14 Years**

(21) Appl. No.: **29/319,585**

(22) Filed: **Jun. 11, 2008**

(51) **LOC (8) Cl.** **14-03**

(52) **U.S. Cl.** **D14/231**

(58) **Field of Classification Search** D14/230-238,
D14/299; 343/700 R, 840, 841, 908; 455/3.02,
455/FOR. 215, 575.2

See application file for complete search history.

(56) **References Cited**

U.S. PATENT DOCUMENTS

| | | | | | | | |
|-----------|---|---|---------|------------------|-------|---------|---|
| 4,972,795 | A | * | 11/1990 | Mace | | 116/28 | R |
| D353,819 | S | * | 12/1994 | Klarich | | D14/230 | |
| D383,137 | S | * | 9/1997 | Gamble et al. | | D14/230 | |
| D420,670 | S | * | 2/2000 | Hernandez et al. | | D14/232 | |
| D425,551 | S | * | 5/2000 | Shiozaki et al. | | D18/53 | |
| D430,557 | S | * | 9/2000 | Kaufmann | | D14/232 | |
| D460,441 | S | * | 7/2002 | Neil | | D14/232 | |

* cited by examiner

Primary Examiner—Robert M Spear

Assistant Examiner—John Windmuller

(74) *Attorney, Agent, or Firm*—Standley Law Group LLP

(57) **CLAIM**

The ornamental design for a satellite dish cover, as shown and described above.

DESCRIPTION

FIG. 1 is a front perspective view of a satellite dish cover showing my new design;

FIG. 2 is a left side elevation view thereof, the right side view being a mirror image thereof;

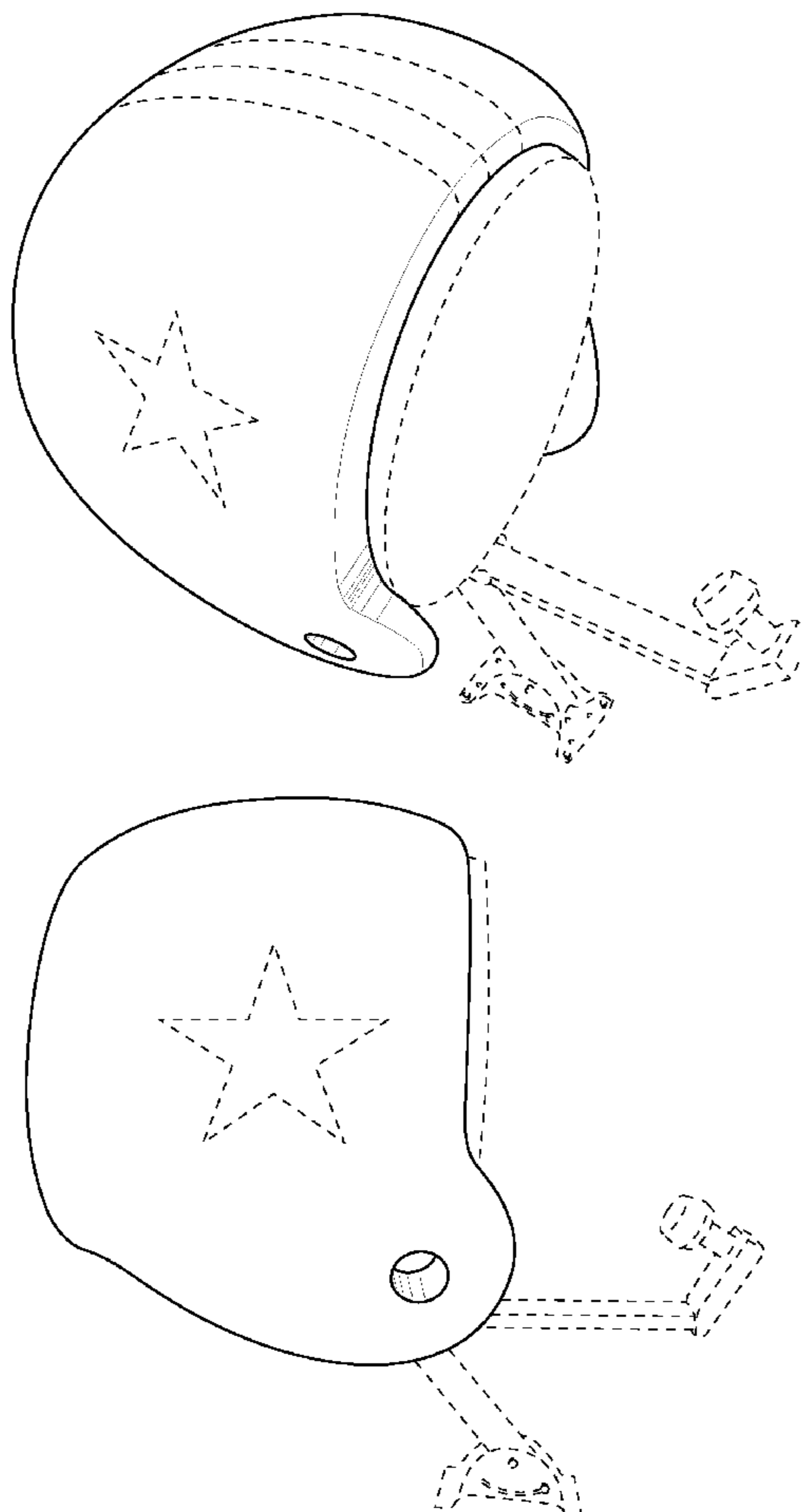
FIG. 3 is a front elevation view thereof;

FIG. 4 is a rear elevation view thereof; and,

FIG. 5 is a top plan view thereof.

The broken line showing of a satellite dish antenna, stars, and stripes illustrates environment only and forms no part of the claimed design.

1 Claim, 5 Drawing Sheets



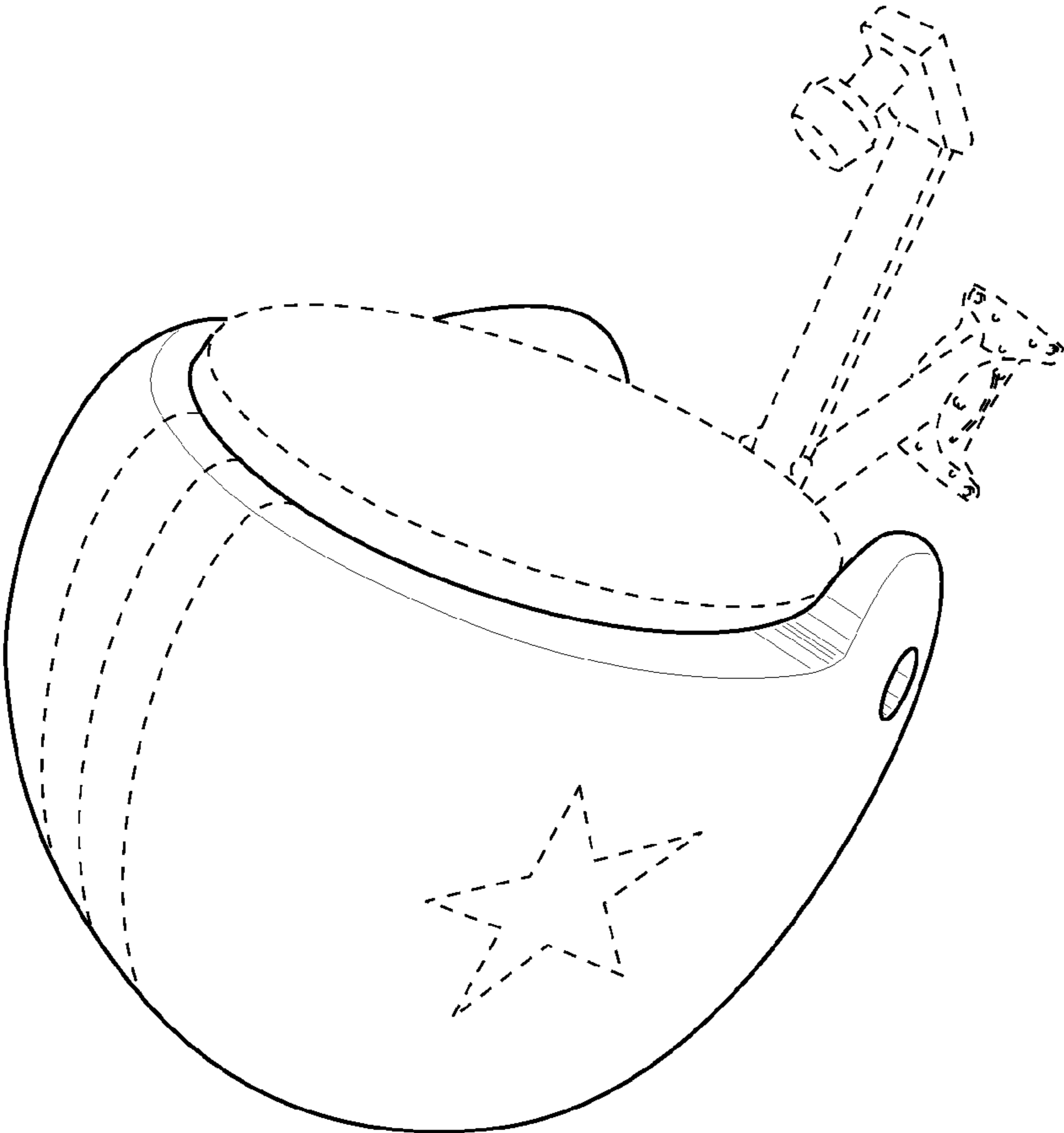


Fig. 1

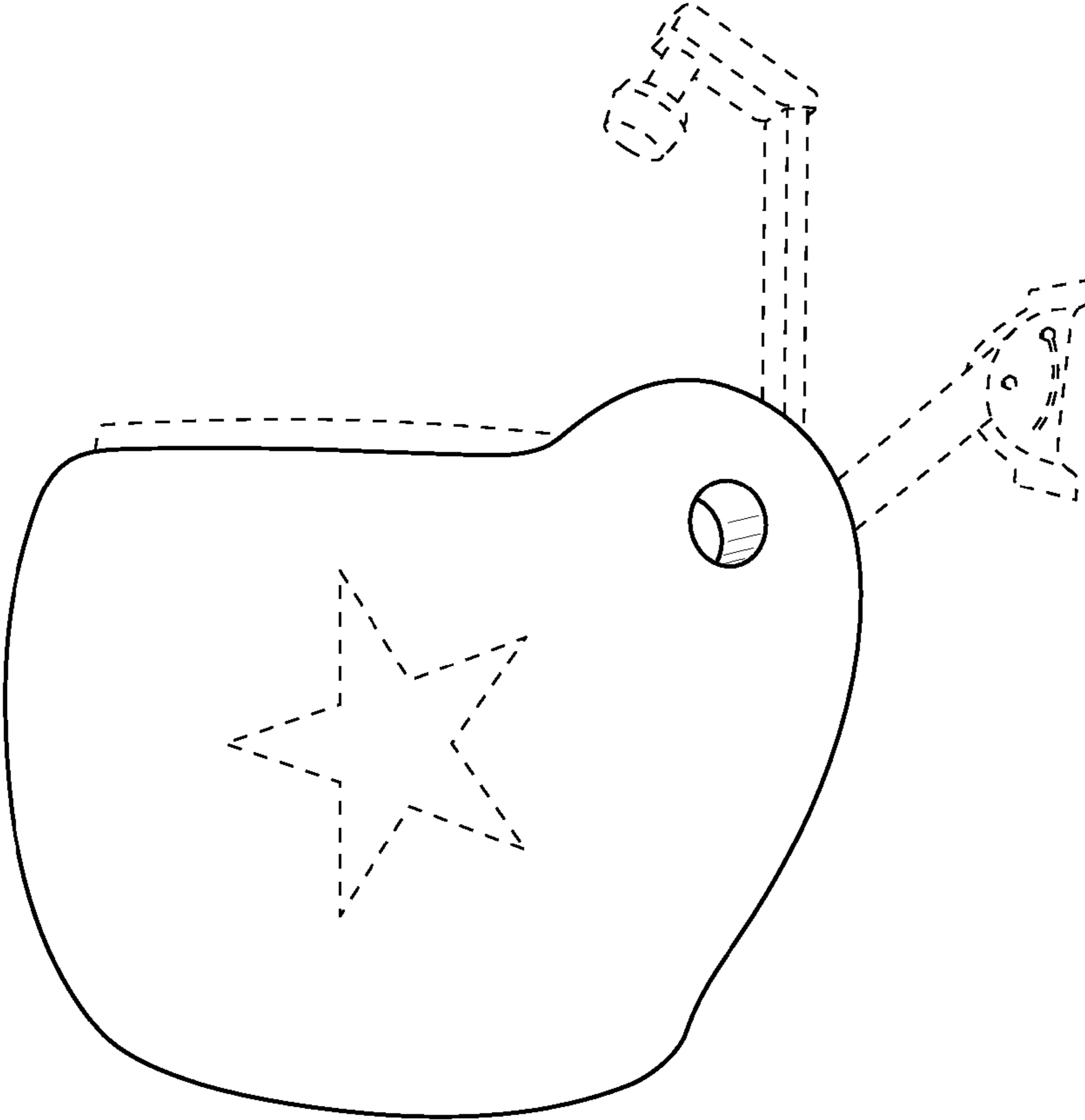


Fig. 2

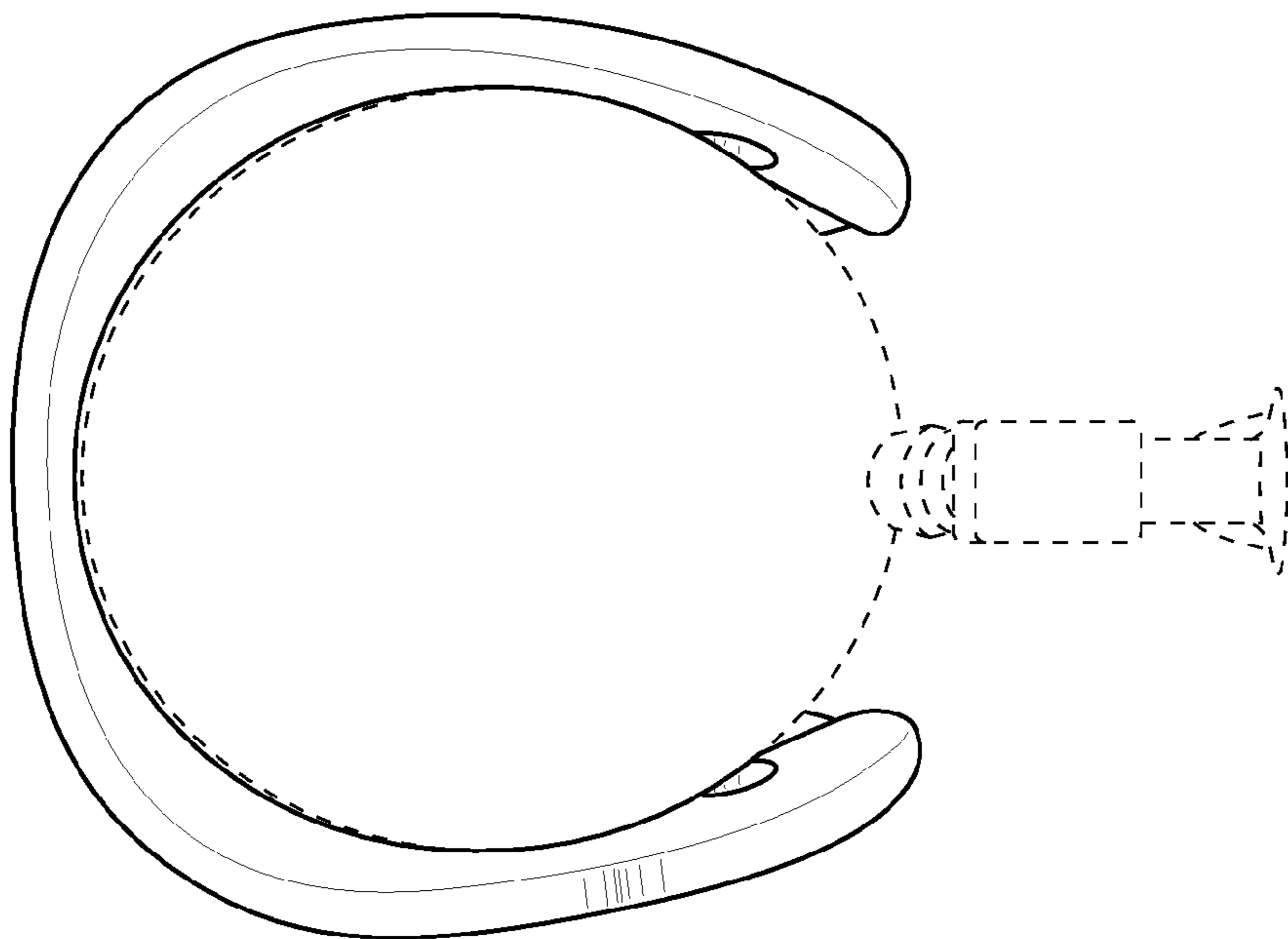


Fig. 3

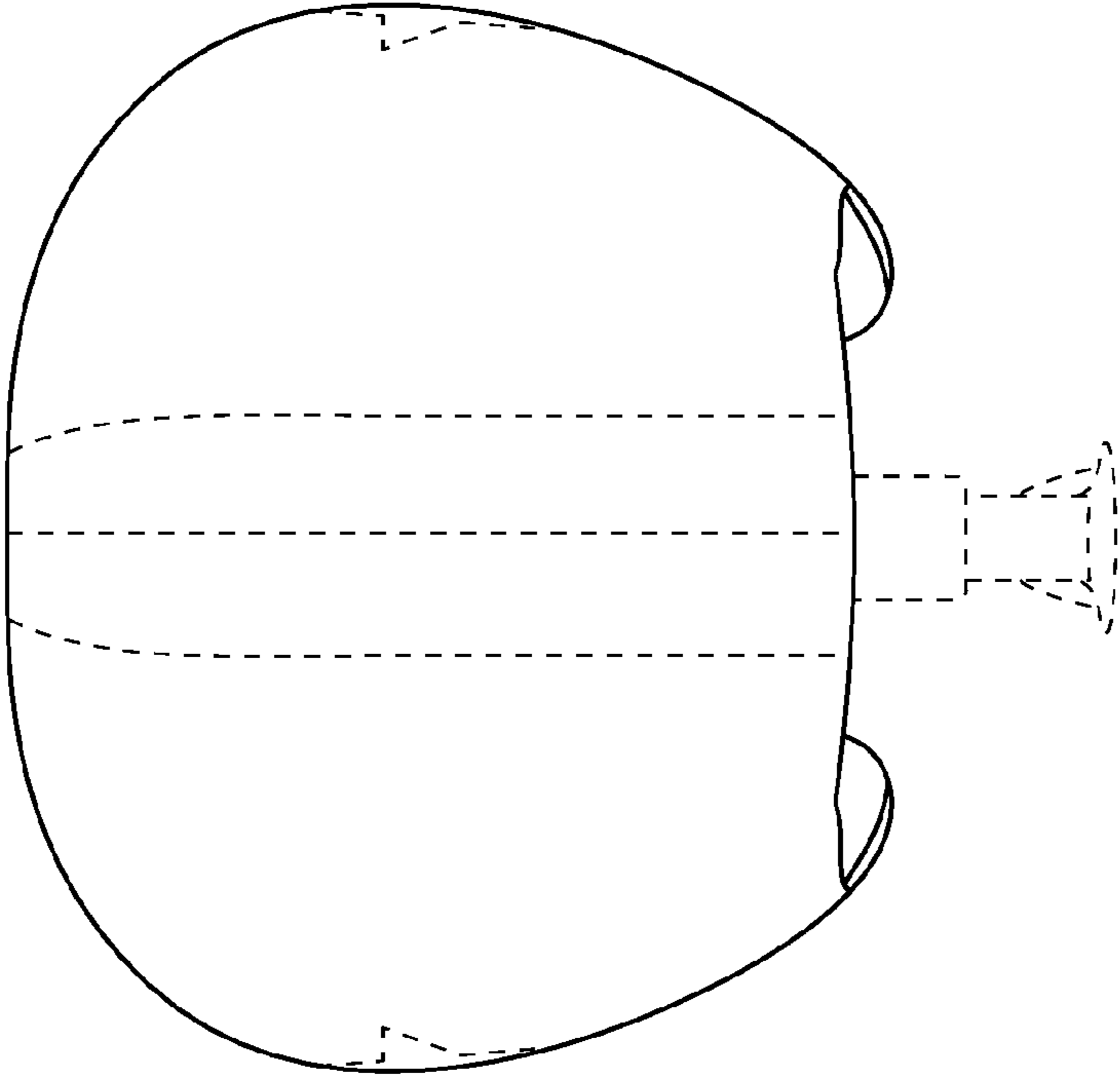


Fig. 4

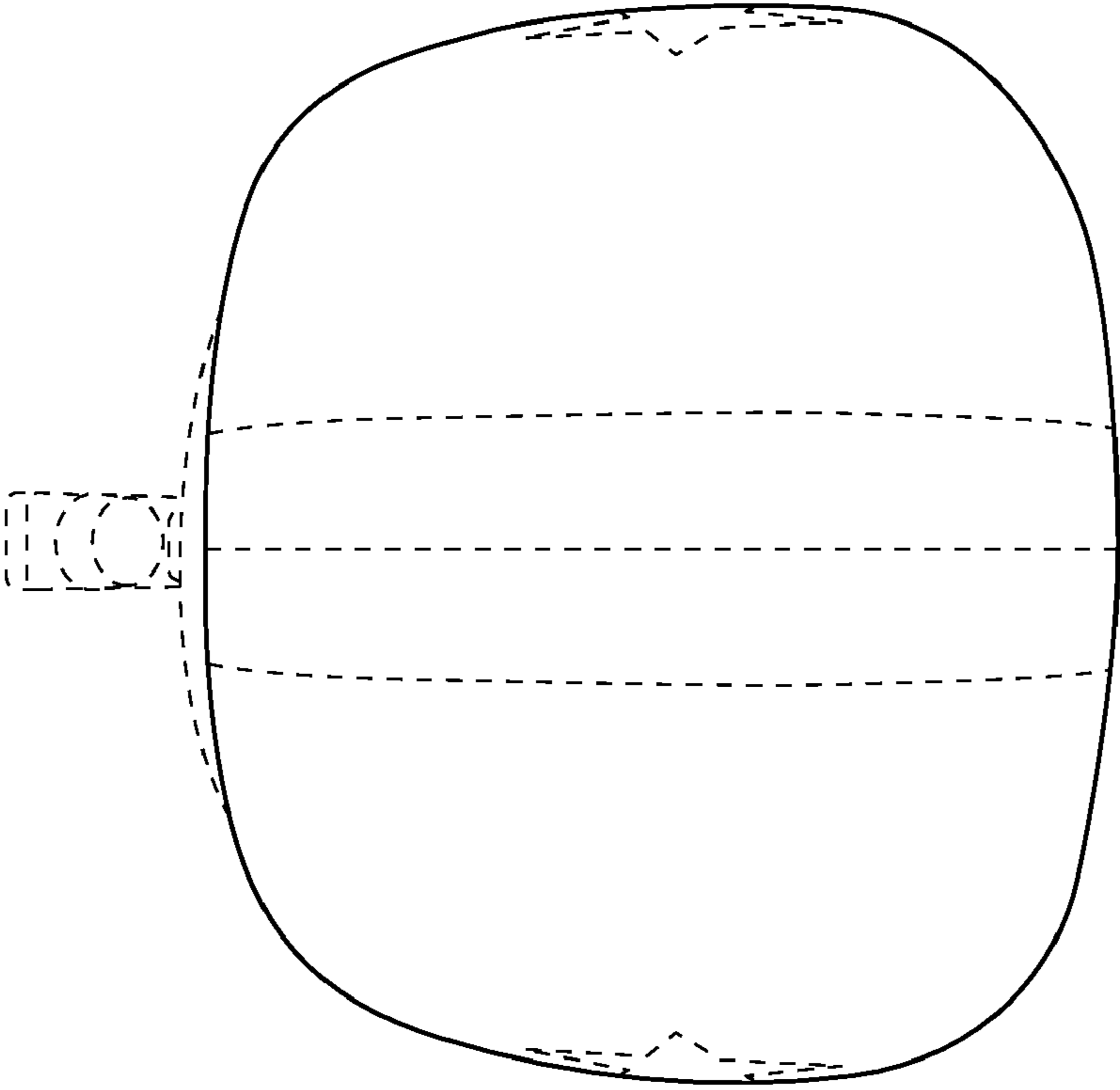


Fig. 5