



US00D581910S

(12) **United States Design Patent**
Takisawa et al.

(10) **Patent No.:** **US D581,910 S**
(45) **Date of Patent:** **** Dec. 2, 2008**

(54) **ANTENNA**

(75) Inventors: **Hisashi Takisawa**, Katagami (JP);
Toshiaki Aizawa, Katagami (JP);
Junichi Noro, Katagami (JP); **Takao**
Kato, Katagami (JP)

(73) Assignee: **Mitsumi Electric Co., Ltd**, Tokyo (JP)

(**) Term: **14 Years**

(21) Appl. No.: **29/317,668**

(22) Filed: **May 5, 2008**

(30) **Foreign Application Priority Data**

Nov. 6, 2007 (JP) 2007-030634

(51) **LOC (8) Cl.** **14-03**

(52) **U.S. Cl.** **D14/230**

(58) **Field of Classification Search** D14/230–238,
D14/299, 358; 343/700 R–705, 840, 841,
343/908, 873, 700 MS; 455/3.02, FOR. 215,
455/575.2

See application file for complete search history.

(56) **References Cited**

U.S. PATENT DOCUMENTS

5,585,806	A *	12/1996	Ogino et al.	343/700 MS
6,278,369	B2 *	8/2001	Smith et al.	340/572.7
6,346,919	B1 *	2/2002	Wang et al.	343/767
D481,029	S *	10/2003	Noro	D14/230
6,883,227	B2 *	4/2005	Lebaric et al.	29/600
6,888,503	B2 *	5/2005	Shikata	343/700 MS
6,975,272	B2 *	12/2005	Yuanzhu	343/700 MS
D515,075	S *	2/2006	Kusanagi et al.	D14/230
D515,076	S *	2/2006	Kusanagi et al.	D14/230
7,042,399	B2 *	5/2006	Noro et al.	343/700 MS
7,049,966	B2 *	5/2006	Carrender	340/572.7
D523,920	S *	6/2006	Cresswell	D21/804
D531,172	S *	10/2006	Noro et al.	D14/230

D531,173	S *	10/2006	Aizawa et al.	D14/230
D531,995	S *	11/2006	Shinkawa et al.	D14/230
7,327,328	B2 *	2/2008	Yoneya et al.	343/841
2003/0103014	A1 *	6/2003	Birnbaum et al.	343/841
2004/0257281	A1 *	12/2004	Noro et al.	343/700 MS
2005/0030230	A1 *	2/2005	Otaka et al.	343/700 MS
2006/0071856	A1 *	4/2006	Shinkai et al.	343/700 MS
2007/0176843	A1 *	8/2007	Qureshi et al.	343/873
2007/0229370	A1 *	10/2007	Tan et al.	343/702
2008/0007469	A1 *	1/2008	Hung et al.	343/702
2008/0074332	A1 *	3/2008	Arronte et al.	343/702

OTHER PUBLICATIONS

U.S. Appl. No. 29/317,662, Hisashi Takisawa, filed May 5, 2008.
U.S. Appl. No. 29/317,664, Hisashi Takisawa, filed May 5, 2008.
U.S. Appl. No. 29/317,661, Hisashi Takisawa, filed May 5, 2008.
U.S. Appl. No. 29/317,672, Hisashi Takisawa, filed May 5, 2008.

* cited by examiner

Primary Examiner—Robert M. Spear
Assistant Examiner—John Windmuller

(74) *Attorney, Agent, or Firm*—Sughrue Mion, PLLC

(57) **CLAIM**

The ornamental design for a antenna, as shown and described.

DESCRIPTION

FIG. 1 is a top perspective view of the antenna of the present invention;

FIG. 2 is a first side view thereof;

FIG. 3 is a second side view thereof;

FIG. 4 is a first end view thereof;

FIG. 5 is a second end view thereof;

FIG. 6 is a top plan view thereof;

FIG. 7 is a bottom plan view; and,

FIG. 8 is a bottom perspective view thereof.

1 Claim, 5 Drawing Sheets

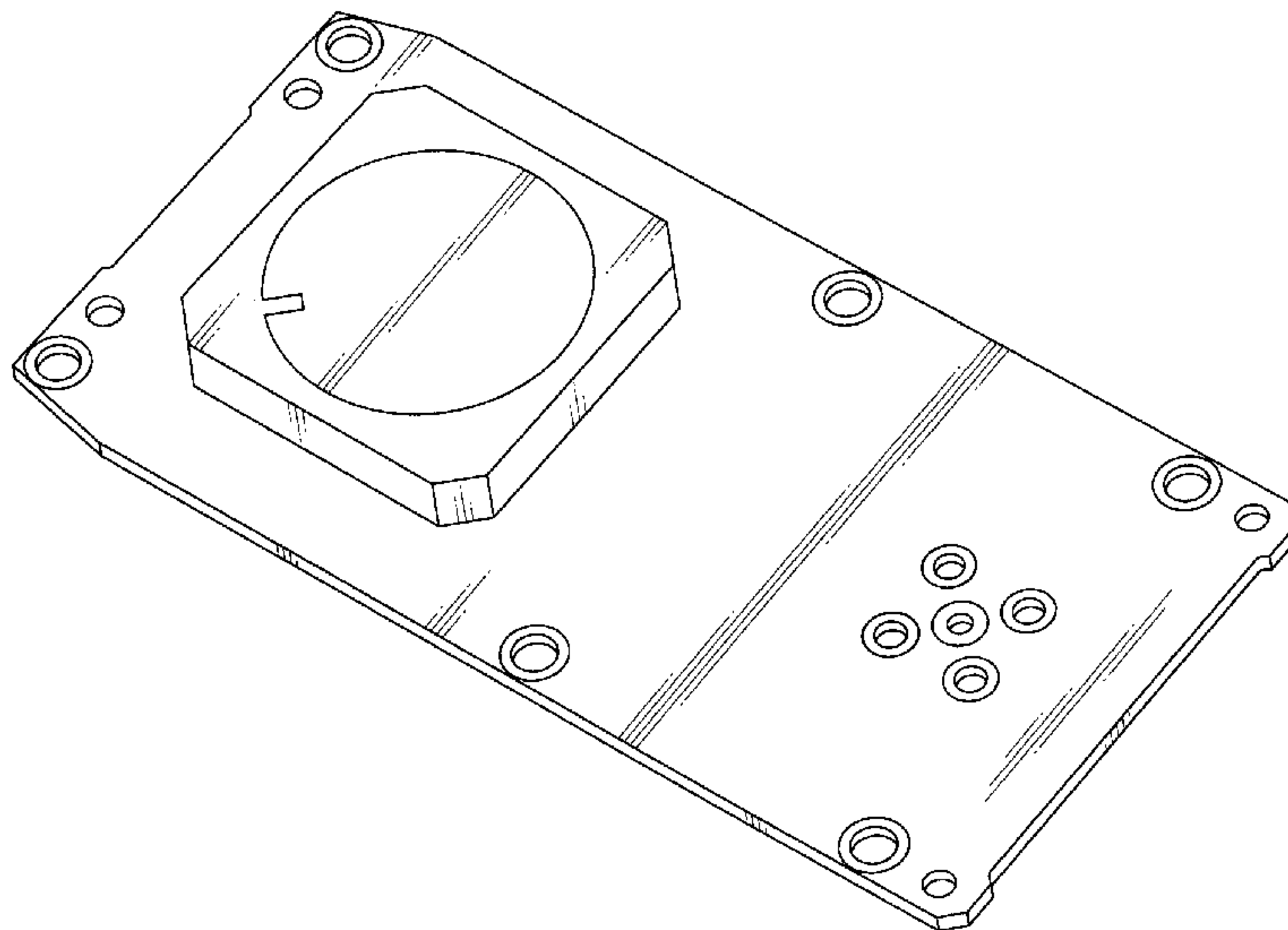


FIG.1

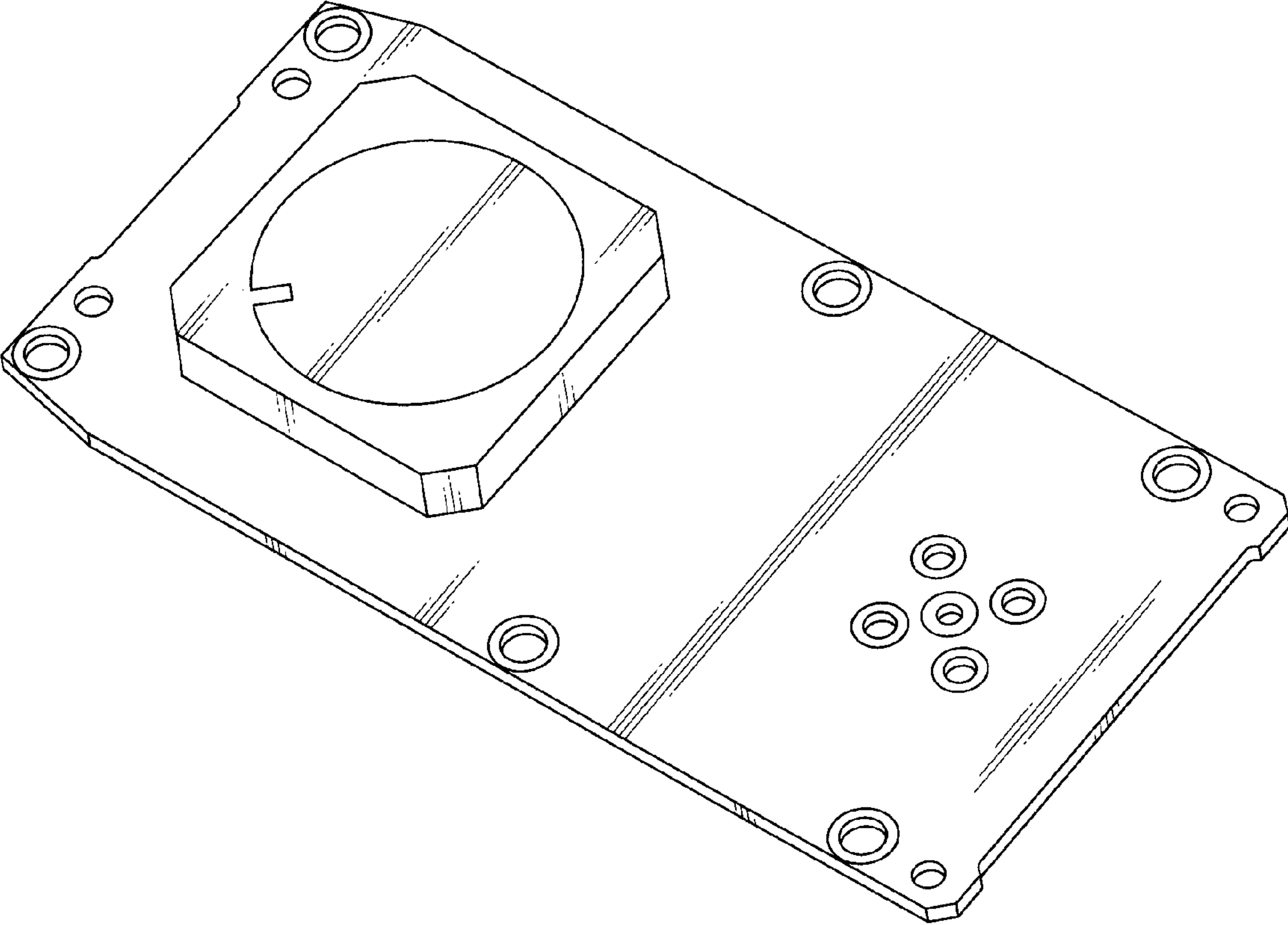


FIG.2

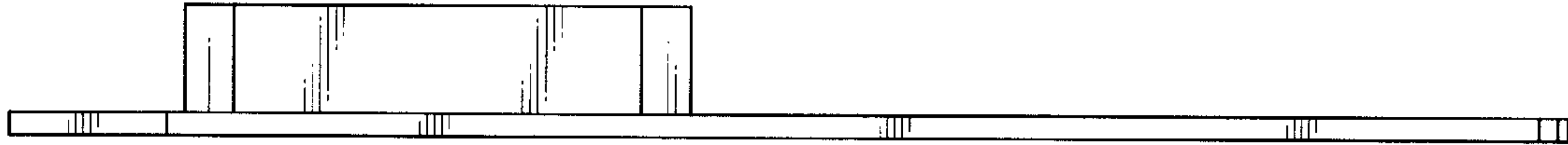


FIG.3



FIG.4

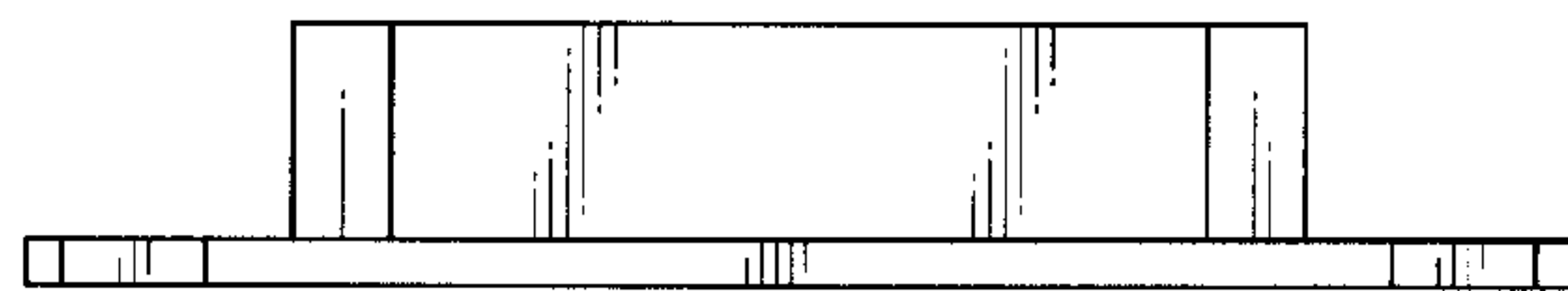


FIG.5

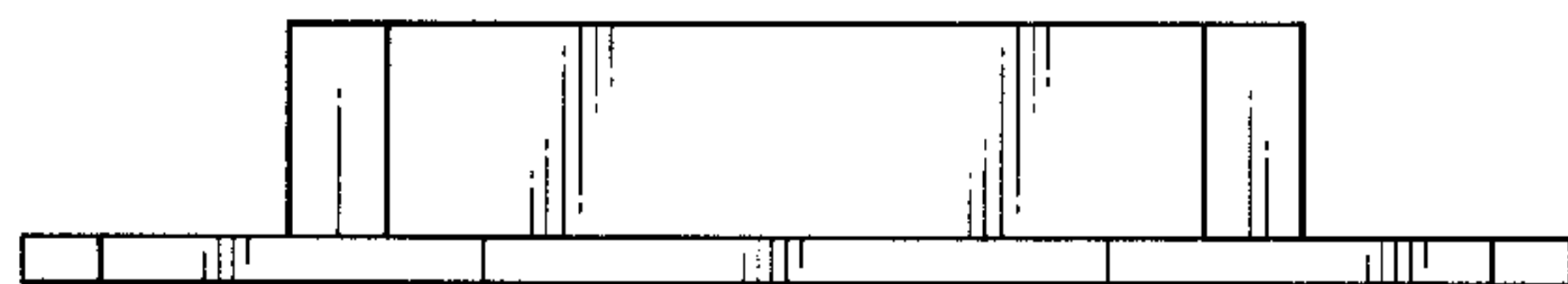


FIG.6

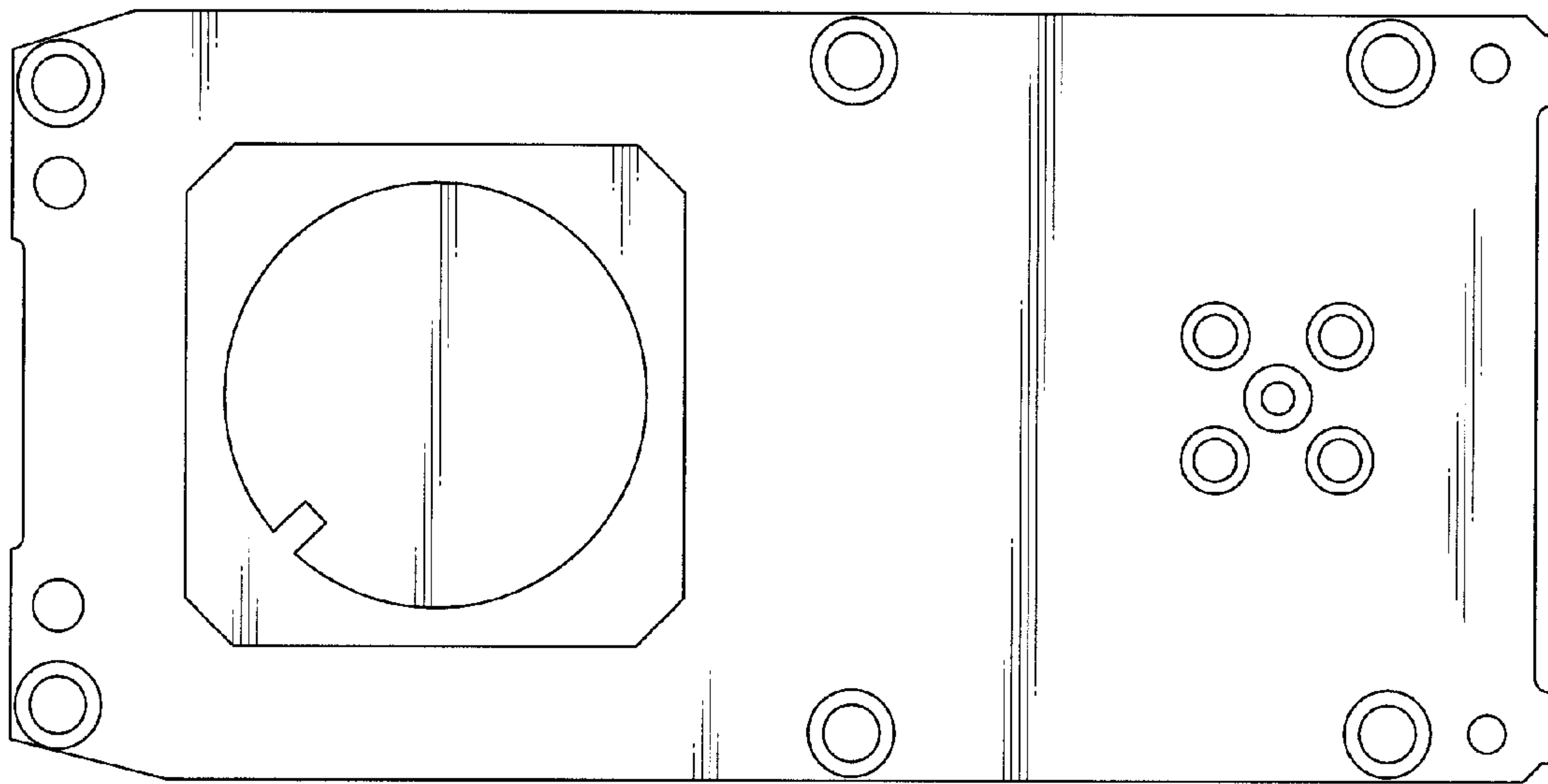


FIG.7

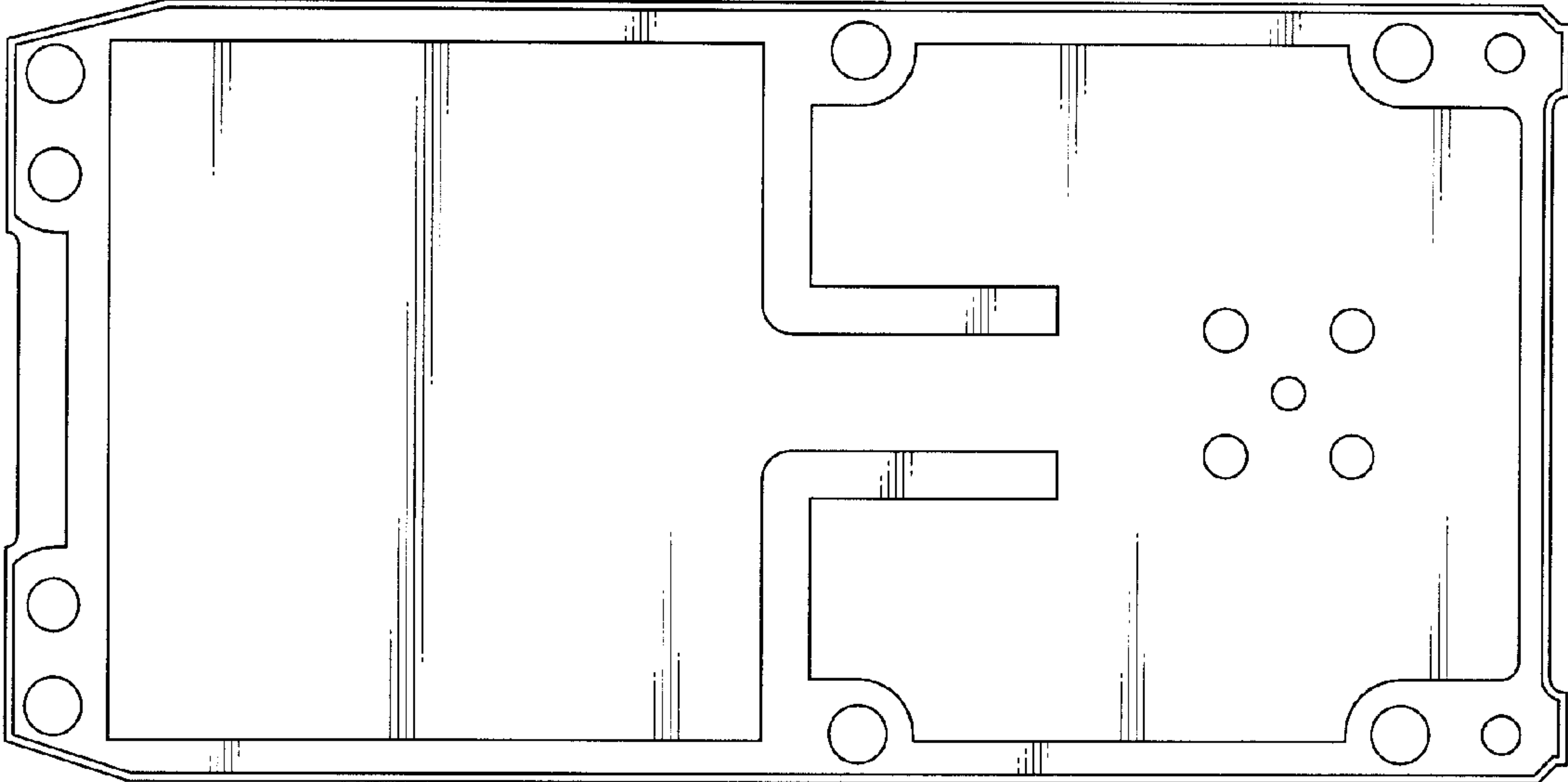


FIG.8

