



US00D581906S

(12) **United States Design Patent**
Birger

(10) **Patent No.:** **US D581,906 S**
(45) **Date of Patent:** **** Dec. 2, 2008**

(54) **HEADSET**

(75) Inventor: **Johan Birger**, Copenhagen (DK)

(73) Assignee: **GN A/S** (DK)

(**) Term: **14 Years**

(21) Appl. No.: **29/299,458**

(22) Filed: **Dec. 27, 2007**

(30) **Foreign Application Priority Data**

Jul. 6, 2007 (EM) 000753462

(51) **LOC (8) Cl.** **14-01**

(52) **U.S. Cl.** **D14/223**

(58) **Field of Classification Search** D14/205,
D14/206, 223; 181/129, 130; 379/430, 433,
379/433.01, 433.02, 433.03; 381/380, 381,
381/370, 376, 377, 378, 379; 455/575.2

See application file for complete search history.

(56) **References Cited**

U.S. PATENT DOCUMENTS

D314,964 S	*	2/1991	Chung	D14/192
D497,613 S	*	10/2004	Gwee	D14/223
D502,171 S	*	2/2005	Tang et al.	D14/223
D504,884 S	*	5/2005	Hering	D14/206
D510,337 S	*	10/2005	Tages	D14/205
D529,021 S	*	9/2006	Jensen et al.	D14/223
D538,792 S	*	3/2007	Kim et al.	D14/223
D545,813 S	*	7/2007	Ma	D14/223
D555,150 S	*	11/2007	Christopher et al.	D14/223

D565,033 S	*	3/2008	Goransson	D14/223
D566,108 S	*	4/2008	Kan	D14/223
D566,692 S	*	4/2008	Sade et al.	D14/223
D566,693 S	*	4/2008	Jensen et al.	D14/223
D568,876 S	*	5/2008	Tsai et al.	D14/223
D569,849 S	*	5/2008	Goransson	D14/223
D573,139 S	*	7/2008	Birger	D14/223
D573,140 S	*	7/2008	Tsai et al.	D14/223
D573,582 S	*	7/2008	Ma	D14/205
D573,983 S	*	7/2008	Bang et al.	D14/223
D575,277 S	*	8/2008	Gaarde et al.	D14/223

* cited by examiner

Primary Examiner—Paula Greene

(74) *Attorney, Agent, or Firm*—Altera Law Group, LLC

(57) **CLAIM**

The ornamental design for headset, as shown and described.

DESCRIPTION

FIG. 1 is a perspective view of the headset.

FIG. 2 is a front view thereof.

FIG. 3 is a side view thereof.

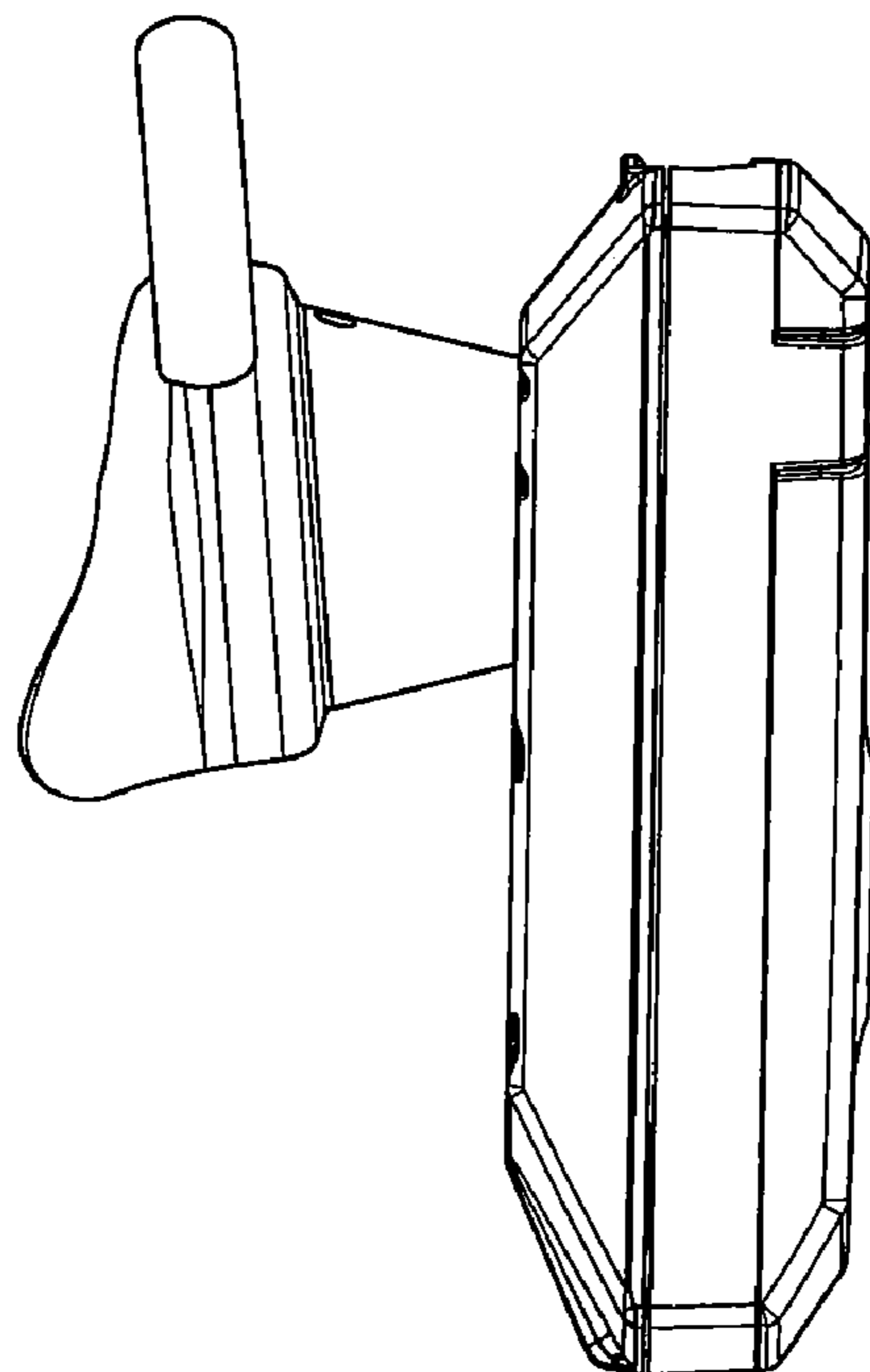
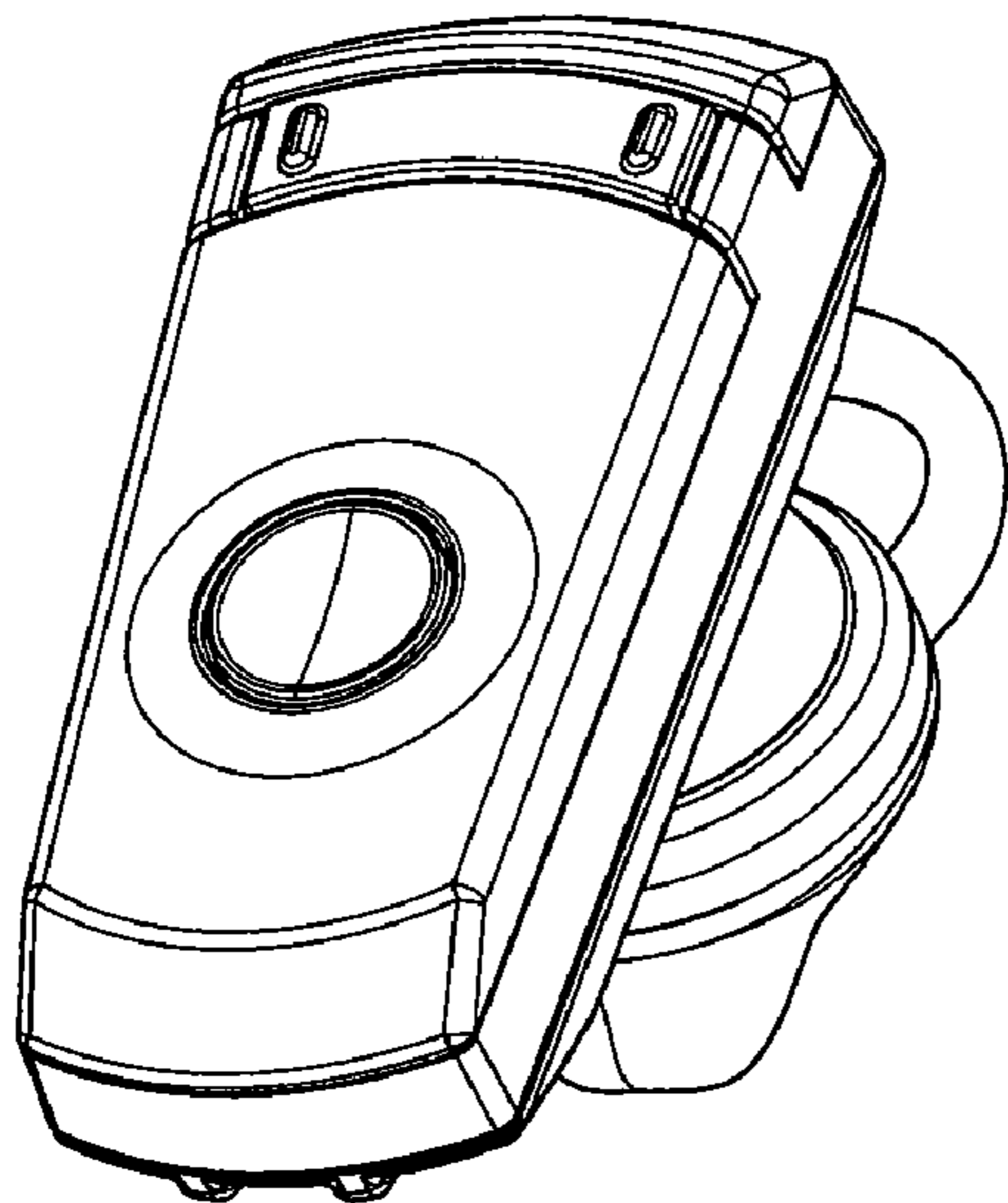
FIG. 4 is a top view thereof, the undisclosed portion is not part of the claimed design;

FIG. 5 is a bottom view thereof.

FIG. 6 is a view from the back thereof, the undisclosed portion is not part of the claimed design; and,

FIG. 7 is a side view thereof.

1 Claim, 3 Drawing Sheets



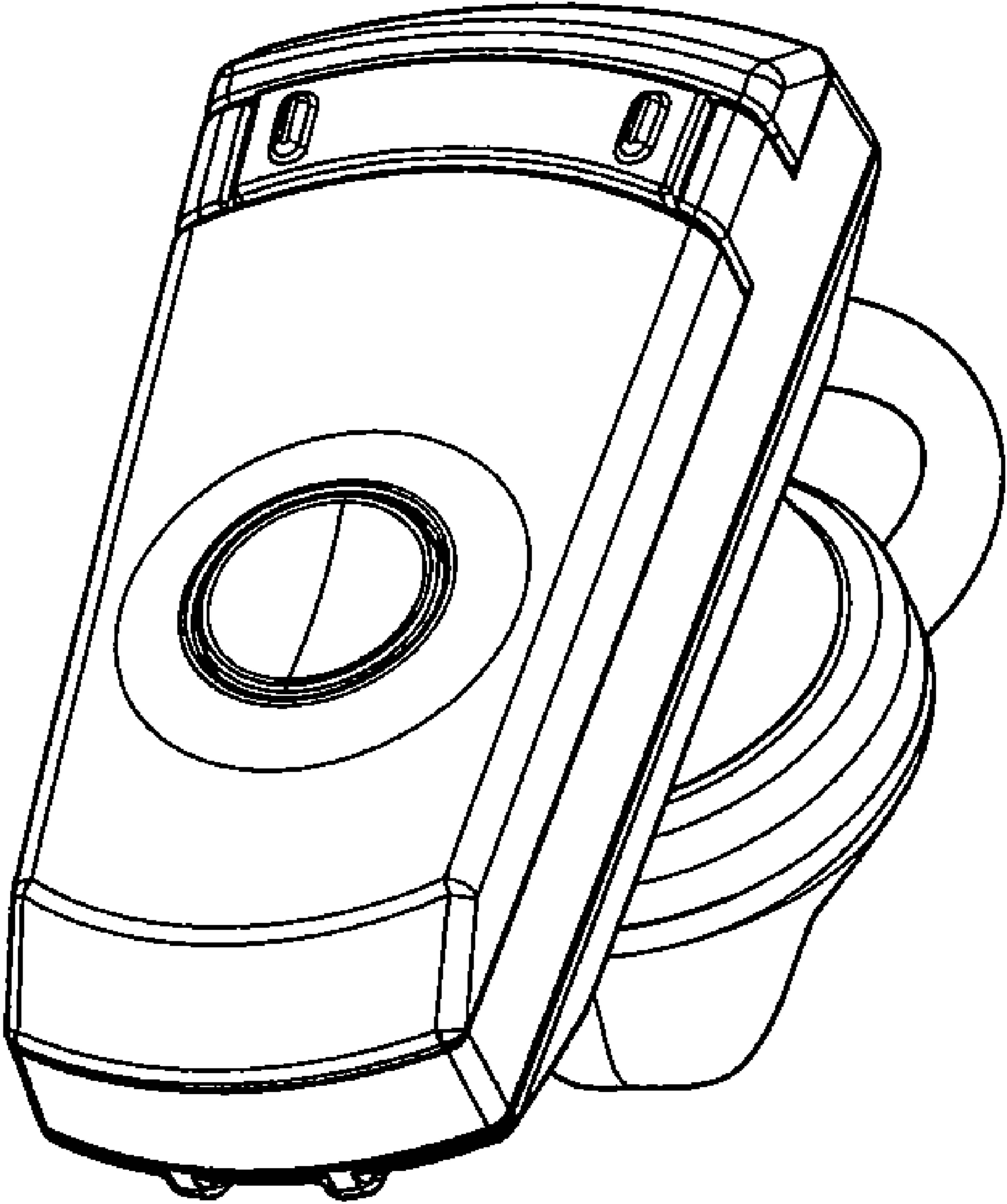


FIG. 1

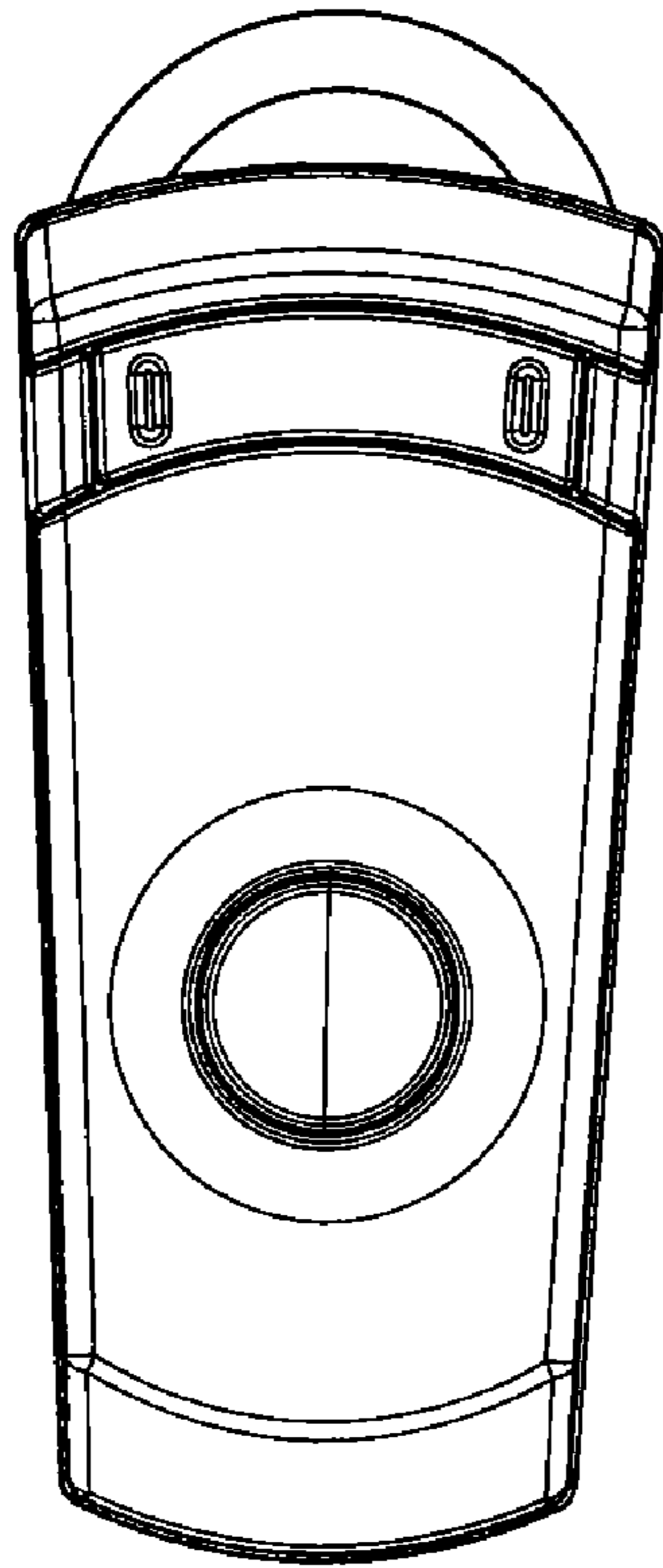


FIG. 2

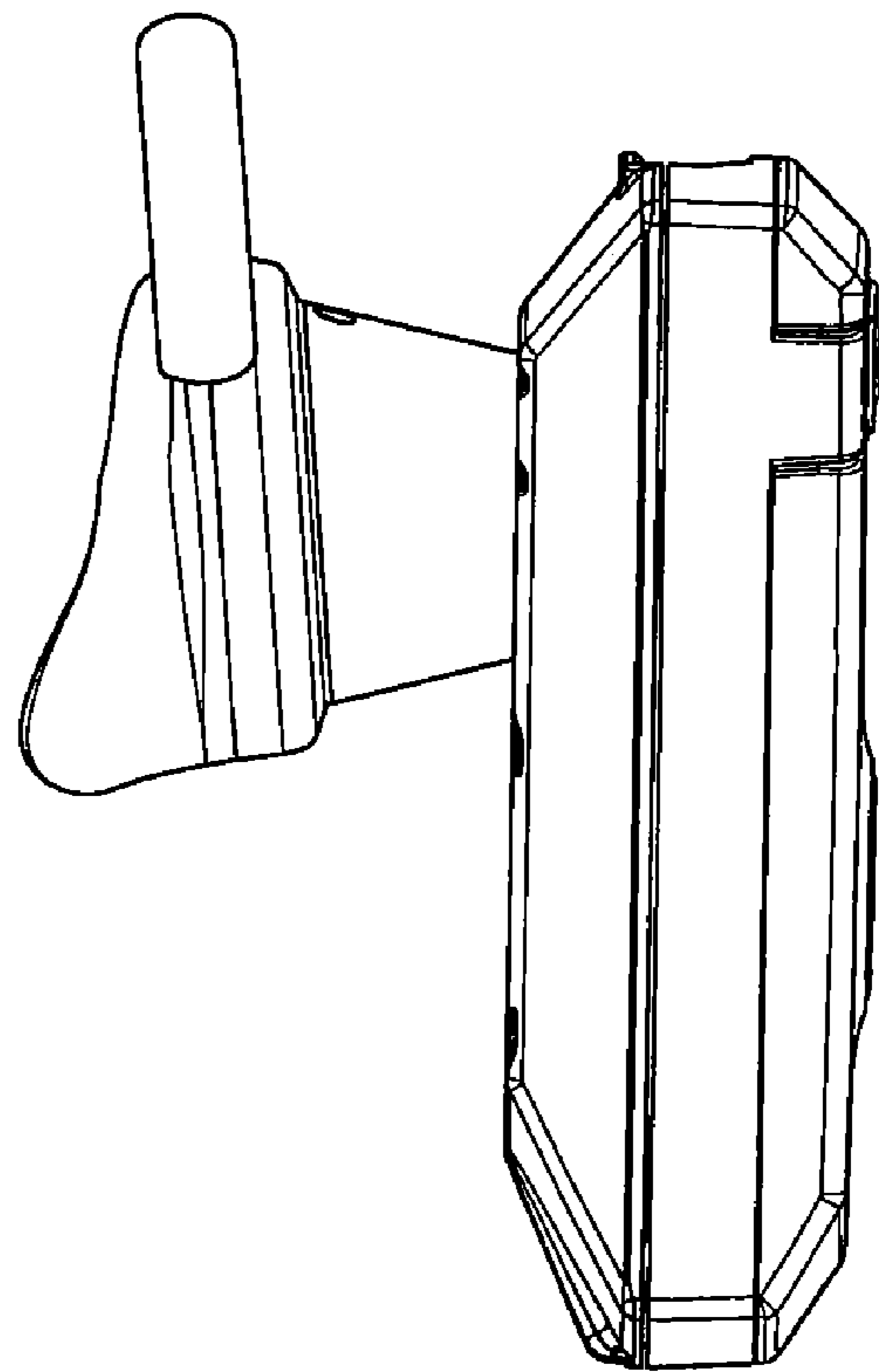


FIG. 3

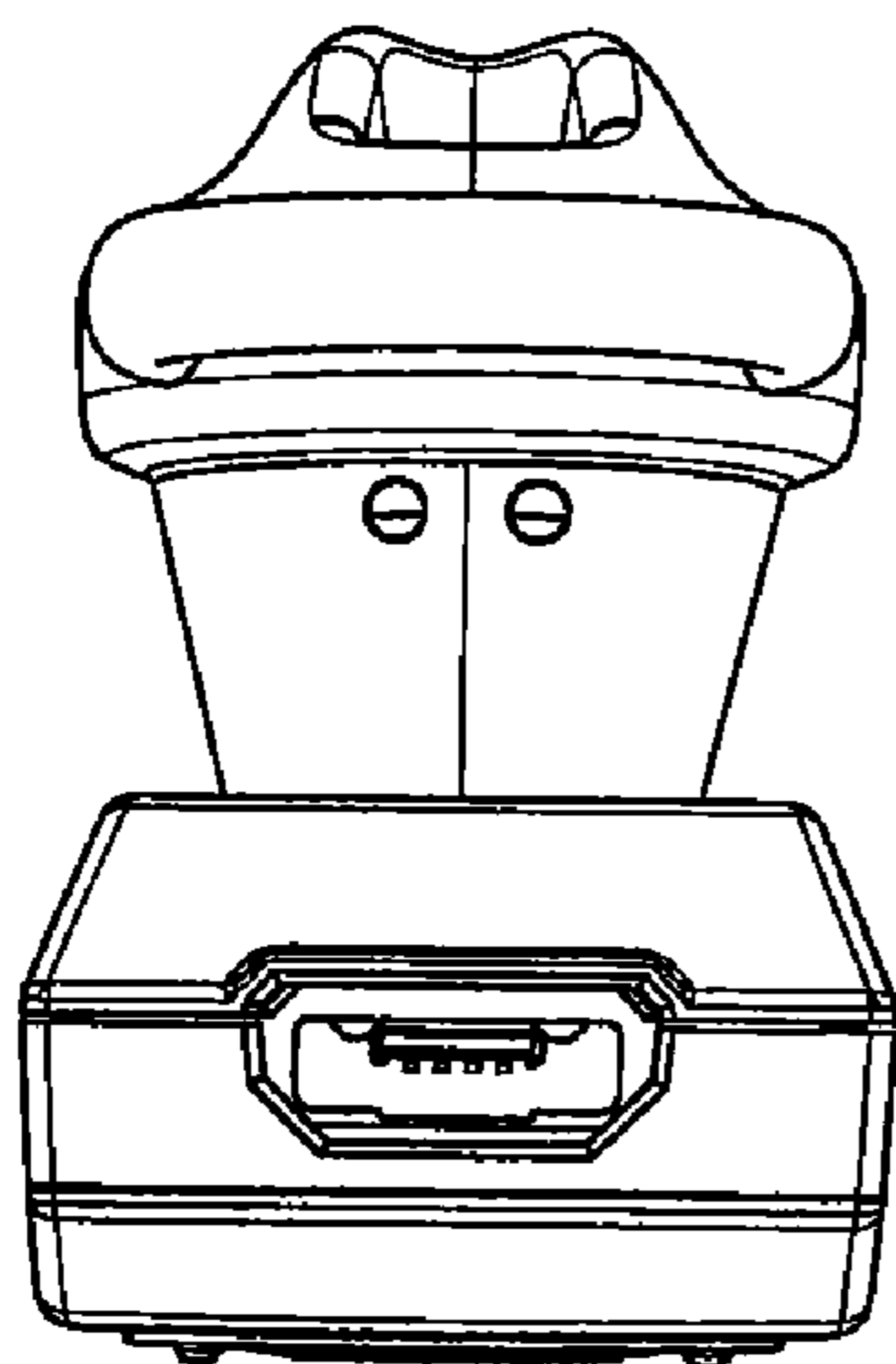


FIG. 4

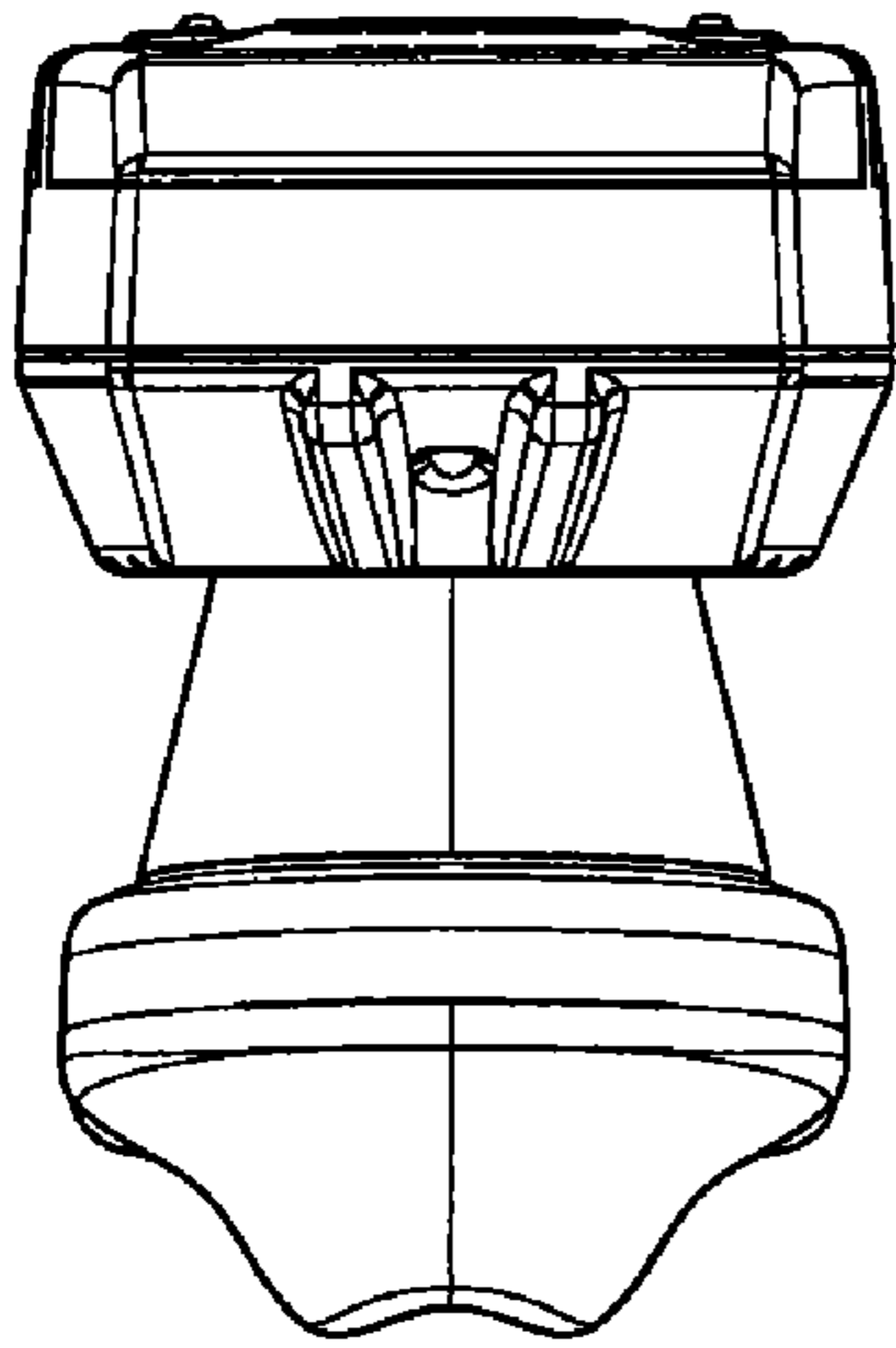


FIG. 5

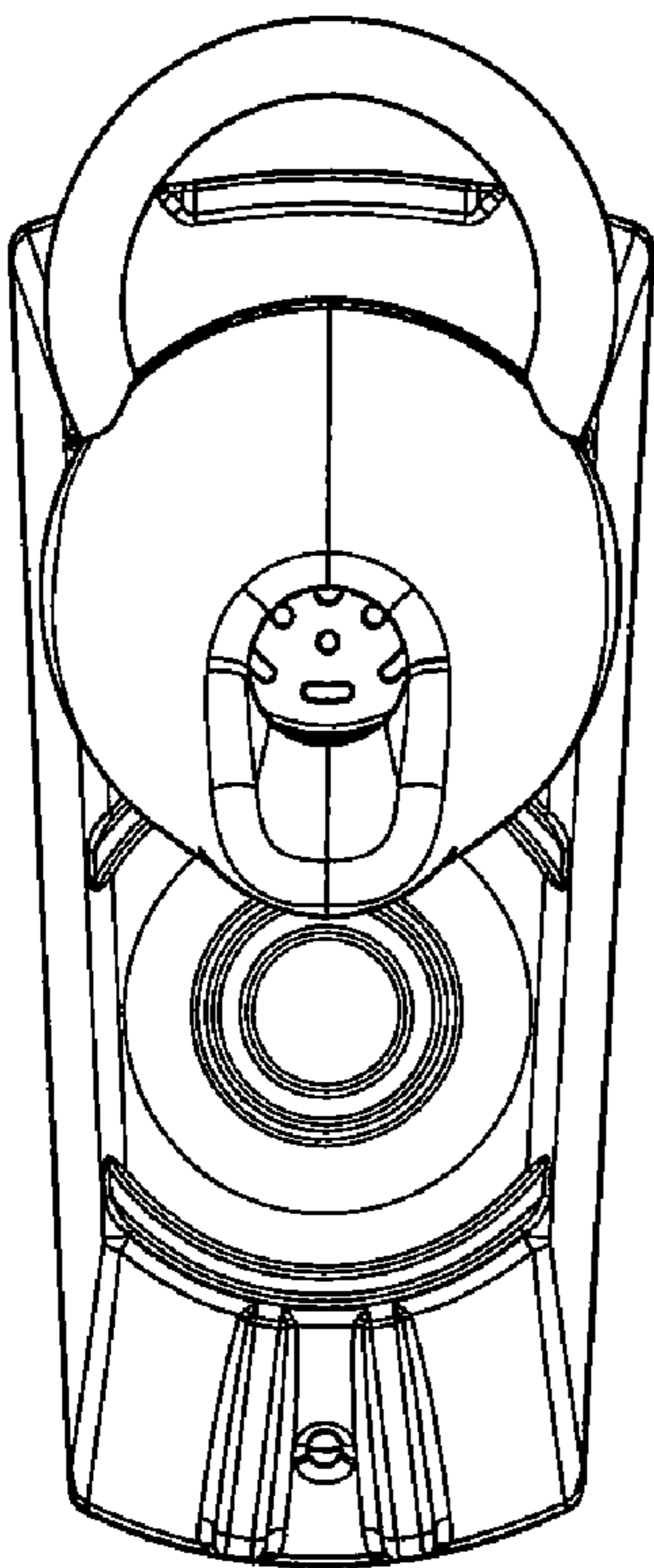


FIG. 6

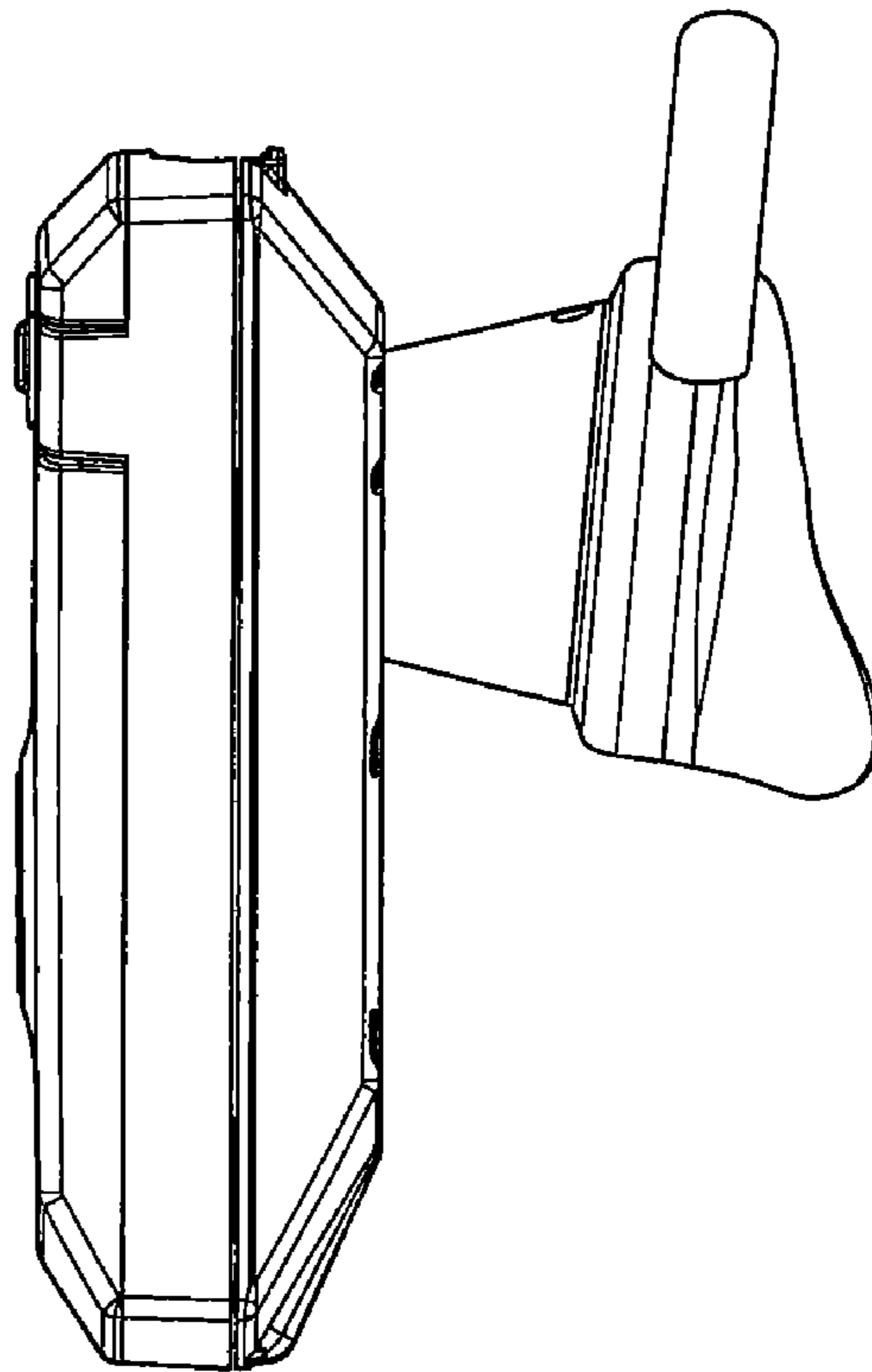


FIG. 7