



US00D581905S

(12) **United States Design Patent**
Solland

(10) **Patent No.:** **US D581,905 S**
(45) **Date of Patent:** **** Dec. 2, 2008**

(54) **AUDIO AND DOCKING STATION FOR A
HANDHELD ELECTRONIC DEVICE**

(75) Inventor: **Kurt Solland**, Westlake Village, CA
(US)

(73) Assignee: **Harman International Industries,
Incorporated**, Northridge, CA (US)

(**) Term: **14 Years**

(21) Appl. No.: **29/297,384**

(22) Filed: **Nov. 9, 2007**

(51) **LOC (8) Cl.** **14-03**

(52) **U.S. Cl.** **D14/217**

(58) **Field of Classification Search** D14/142,
D14/149, 217, 251, 432, 434, 435, 447, 496;
D13/107, 108, 118; 248/221.11, 309.1; 320/107,
320/110, 113-115; 361/600, 679, 683, 686;
439/529, 534; 455/556.1, 556.2, 557
See application file for complete search history.

(56) **References Cited**

U.S. PATENT DOCUMENTS

D297,827 S *	9/1988	Lay	D13/108
D438,523 S *	3/2001	Lytel	D14/141.2
D455,713 S *	4/2002	Forakis	D13/108
D460,971 S *	7/2002	Sica et al.	D14/434
D471,578 S *	3/2003	Okuley	D16/424
D508,458 S *	8/2005	Solland et al.	D13/108
D516,025 S *	2/2006	Quinn	D13/108

D519,449 S *	4/2006	Luneau	D13/108
D520,446 S *	5/2006	Liu et al.	D13/108
D524,282 S *	7/2006	Beasley et al.	D14/149
D553,122 S *	10/2007	Solland	D14/217
D553,123 S *	10/2007	Solland	D14/217
D558,193 S *	12/2007	Ju	D14/253
D558,209 S *	12/2007	Ikeda et al.	D14/434

* cited by examiner

Primary Examiner—Prabhakar Deshmukh

Assistant Examiner—Keli L Acker

(74) *Attorney, Agent, or Firm*—Plumsea Law Group, LLC

(57) **CLAIM**

The ornamental design for an audio and docking station for a handheld electronic device, as shown and described.

DESCRIPTION

FIG. 1 is a top plan view of an audio and docking station for a handheld electronic device, embodying my new design;

FIG. 2 is a front elevational view thereof, the rear view being a mirror image thereto;

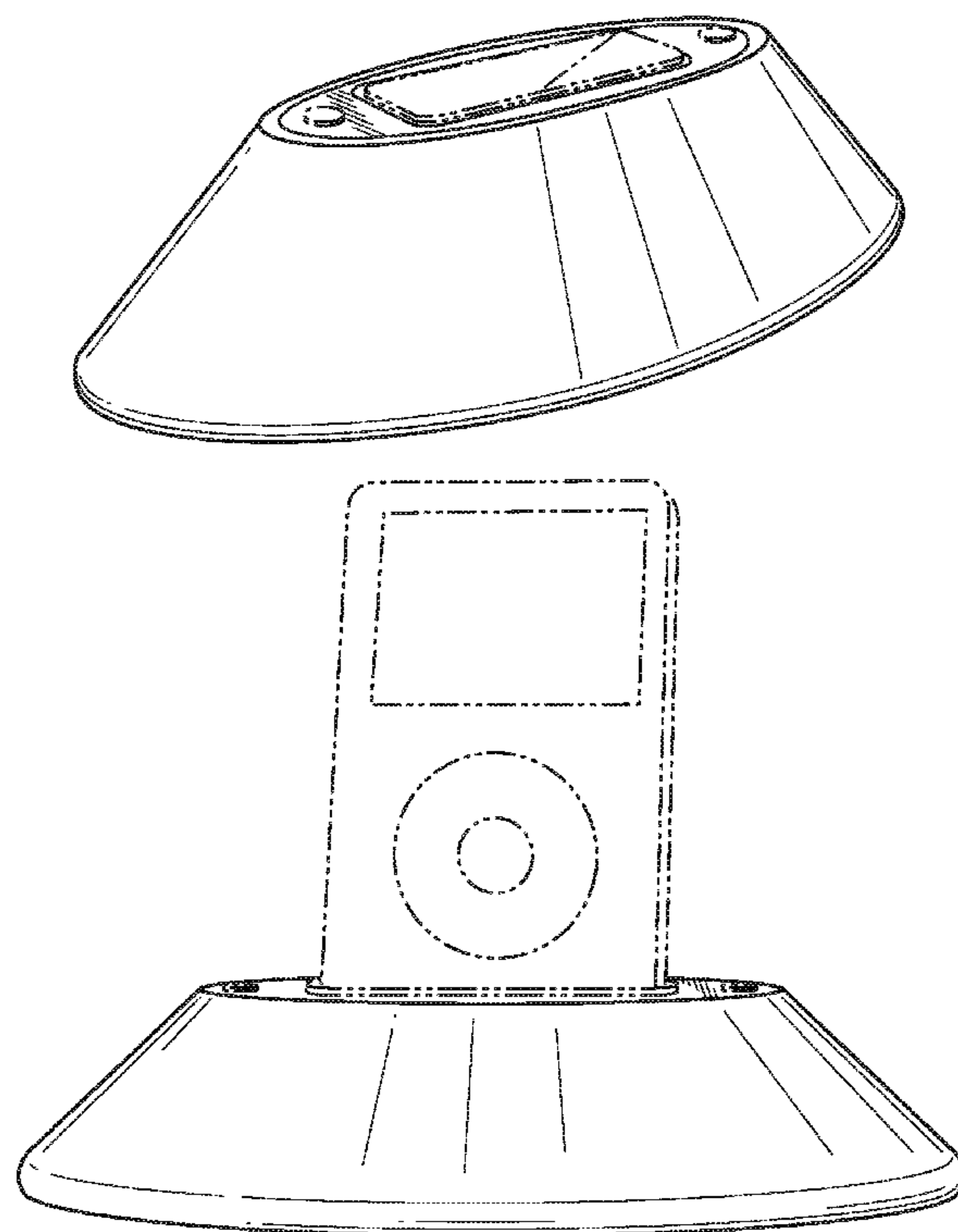
FIG. 3 is a perspective view thereof;

FIG. 4 is an end elevational view thereof, the opposite end being a mirror image thereto; and,

FIG. 5 is an alternate front elevational view thereof, shown with a handheld electronic device docked thereon.

The broken line showing of the shapes on the top surface and electronic device forms no part of the claimed design.

1 Claim, 3 Drawing Sheets



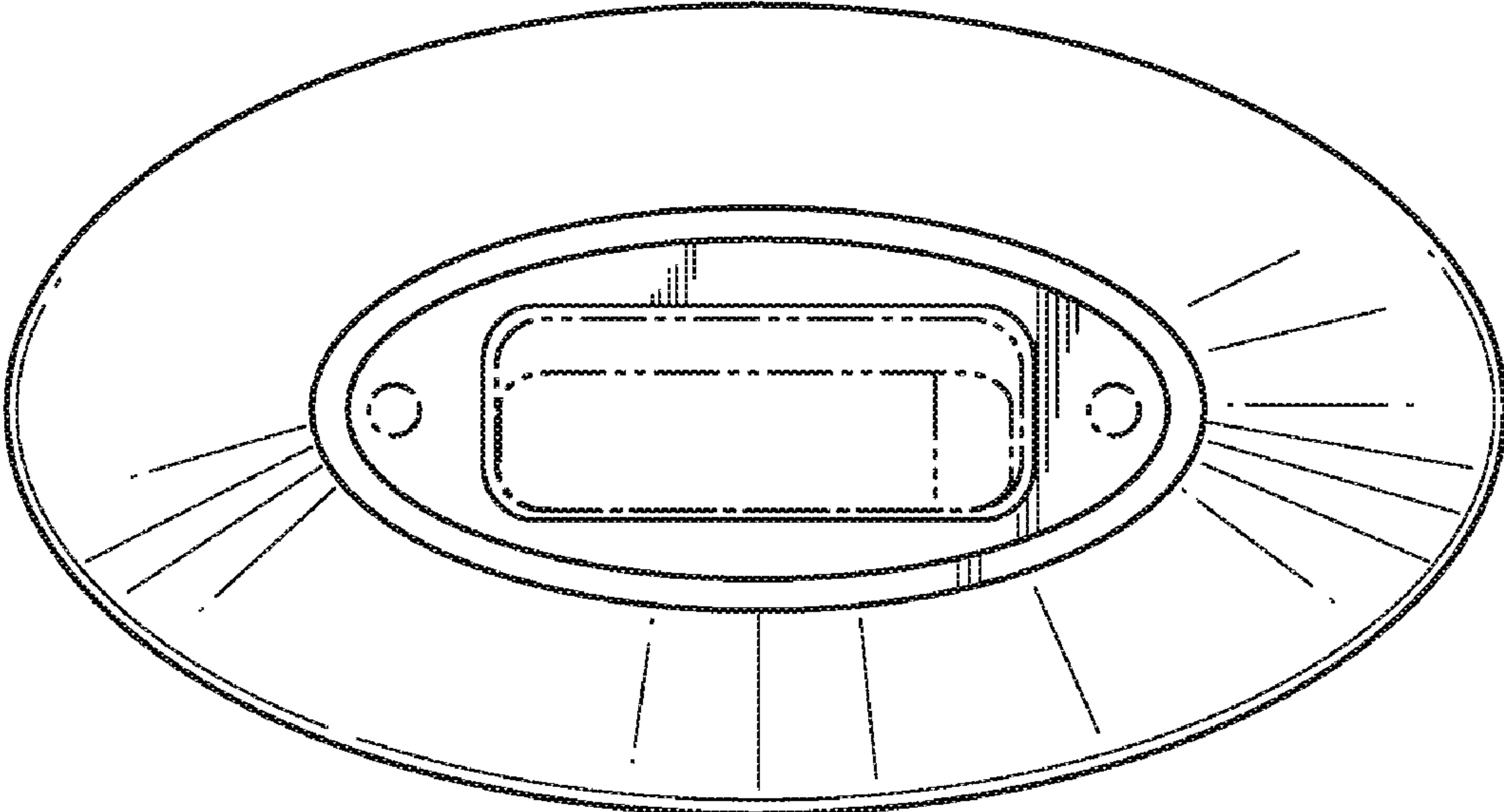


Fig. 1

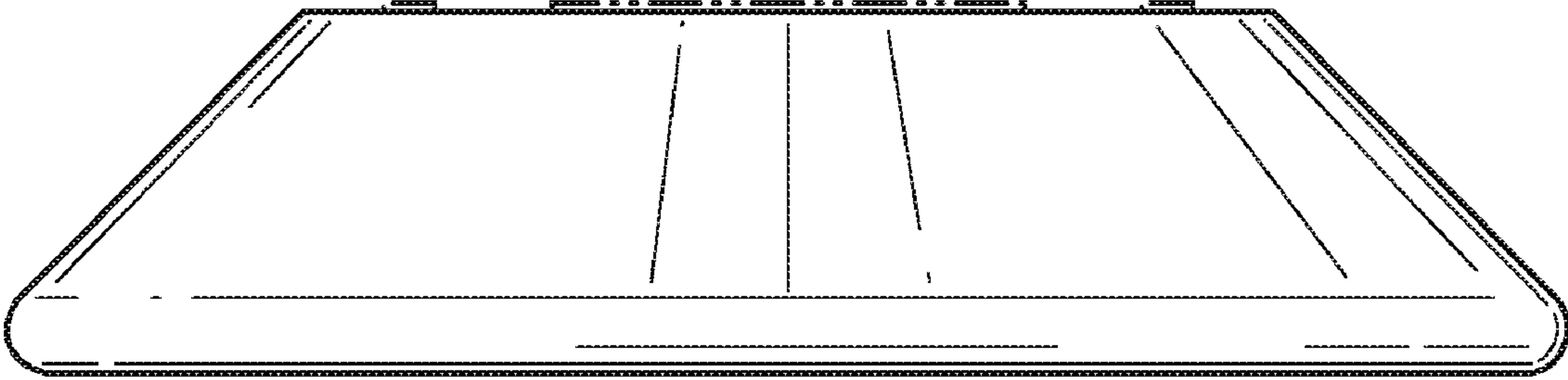


Fig. 2

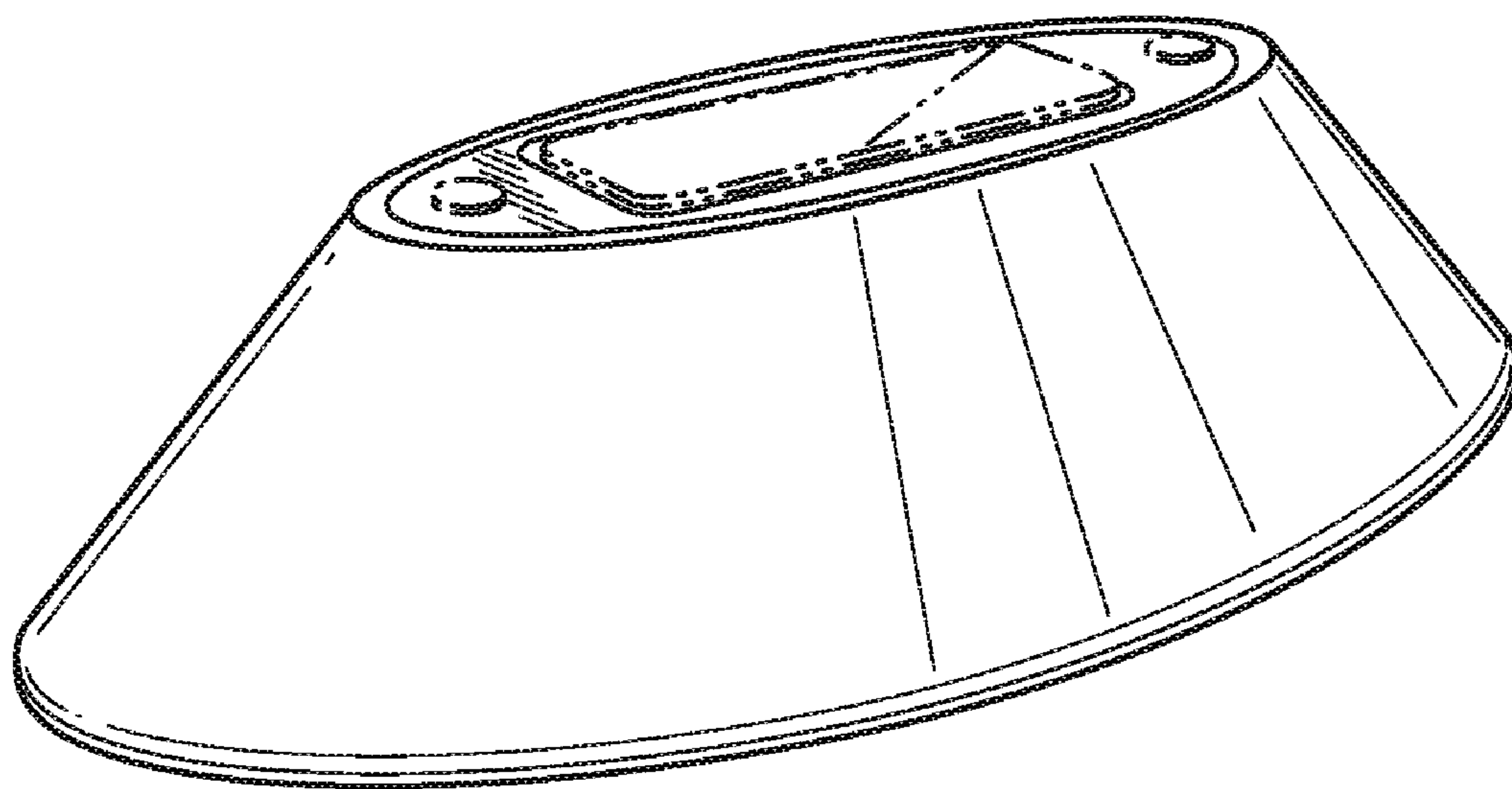


Fig. 3

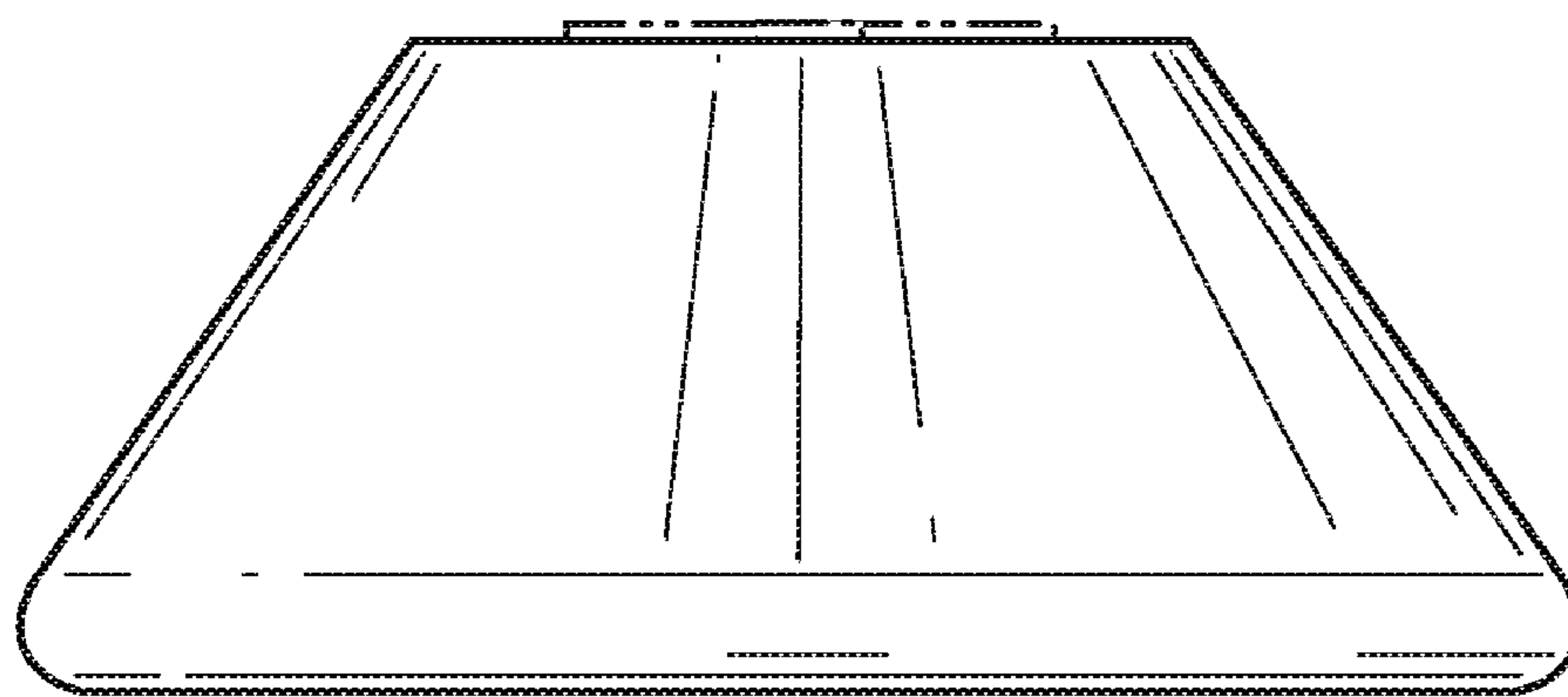


Fig. 4

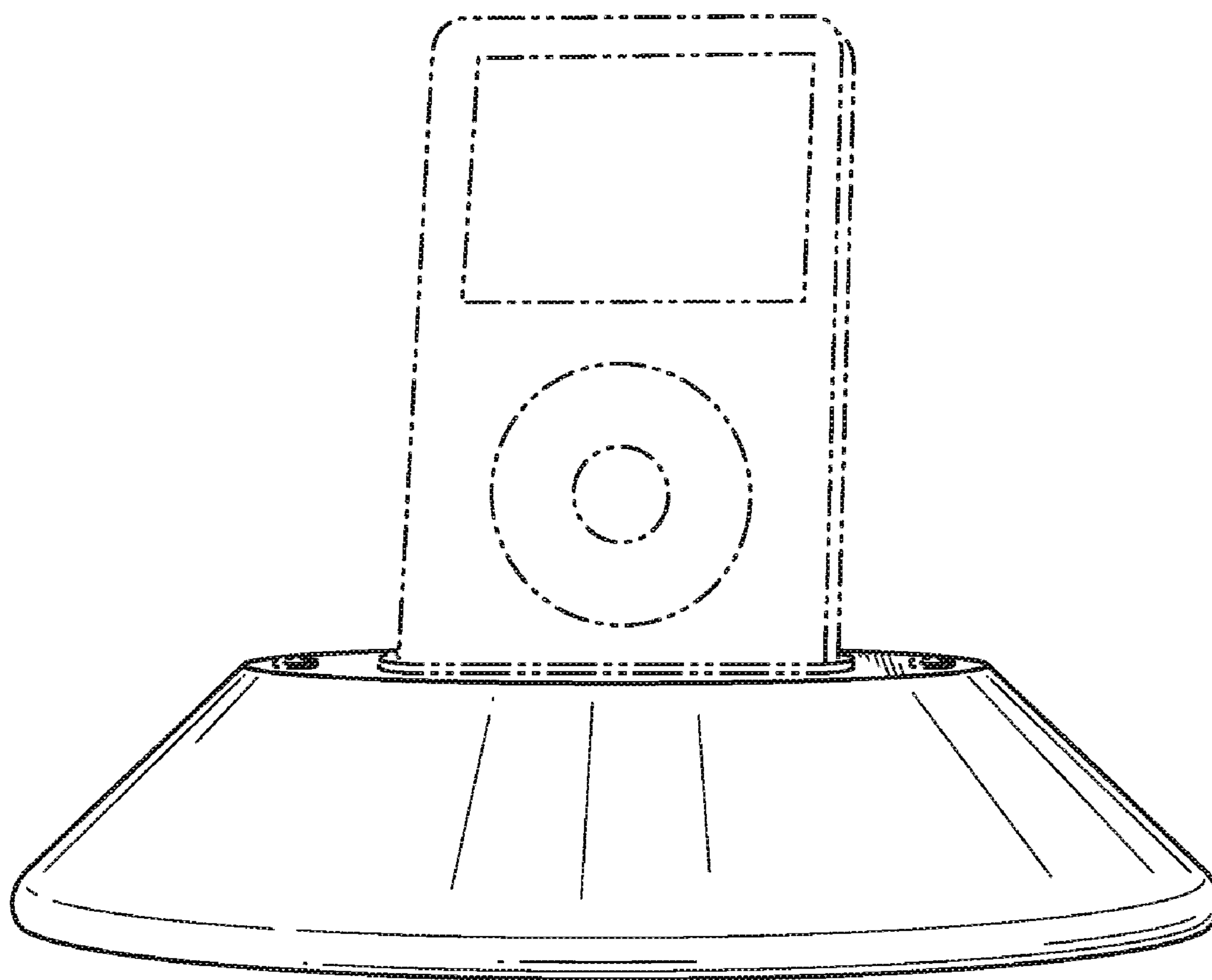


Fig. 5