



US00D581904S

(12) **United States Design Patent**
Tanaka

(10) **Patent No.:** **US D581,904 S**
(45) **Date of Patent:** **** Dec. 2, 2008**

(54) **LOUDSPEAKER**
(75) Inventor: **Junichi Tanaka**, Meguro (JP)
(73) Assignee: **Pioneer Kabushiki Kaisha**, Tokyo (JP)
(**) Term: **14 Years**

JP	S-1201615	4/2004
JP	S-1223334	11/2004
JP	S-1241701	6/2005
JP	S-1269145	4/2006
JP	S-1269160	4/2006
JP	S-1318645	1/2008
JP	S-1318822	1/2008

(21) Appl. No.: **29/290,989**
(22) Filed: **Feb. 6, 2008**

(30) **Foreign Application Priority Data**
Aug. 7, 2007 (JP) 2007-021474

(51) **LOC (8) Cl.** **14-01**
(52) **U.S. Cl.** **D14/216**
(58) **Field of Classification Search** D14/204,
D14/210-216, 219-222; 181/143-144, 147-148,
181/150-153, 157, 198-199; 381/300-303,
381/306, 332-333, 336, 345, 361-364, 386-388
See application file for complete search history.

(56) **References Cited**

U.S. PATENT DOCUMENTS

D248,647 S	*	7/1978	Nussdorfer	D14/216
D250,586 S	*	12/1978	Nussdorfer et al.	D14/216
D484,494 S	*	12/2003	Feil et al.	D14/221
D493,161 S	*	7/2004	Iijima et al.	D14/216

FOREIGN PATENT DOCUMENTS

JP S-1201071 4/2004

OTHER PUBLICATIONS

Pioneer, "Carrozzeria", Feb. 2004, p. 5.
Pioneer, "Carrozzeria", Aug. 1997, pp. 17-18.
Pioneer, "Premier, 2000 Car Audio Systems", 2000, pp. 42 and 44.

* cited by examiner

Primary Examiner—Nanda Bondade
(74) *Attorney, Agent, or Firm*—Oliff & Berridge, PLC

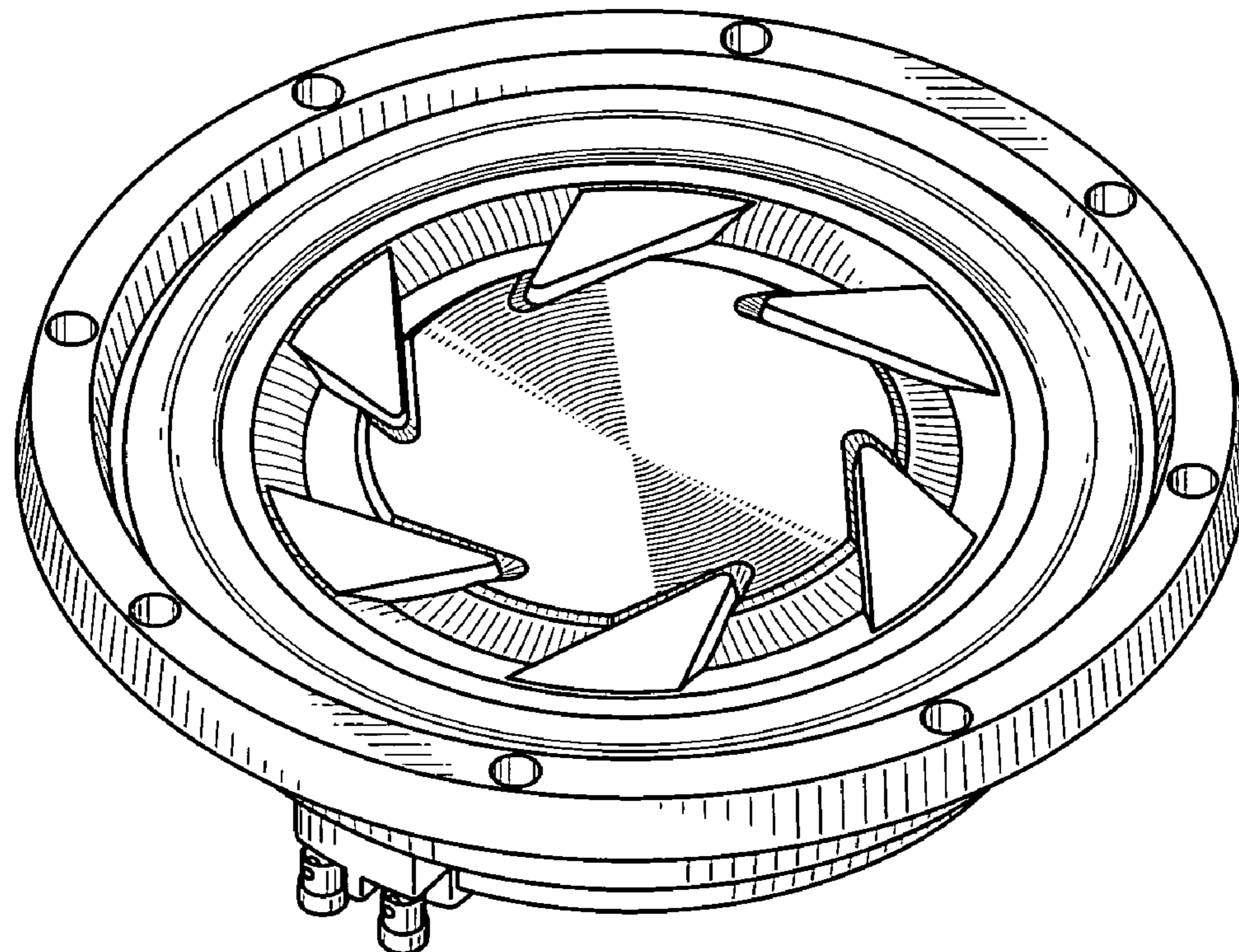
(57) **CLAIM**

The ornamental design for a loudspeaker, as shown and described.

DESCRIPTION

FIG. 1 is a front view of a loudspeaker;
FIG. 2 is a rear view thereof;
FIG. 3 is a top view thereof;
FIG. 4 is a bottom view thereof;
FIG. 5 is a left-side view thereof;
FIG. 6 is a right-side view thereof; and,
FIG. 7 is a perspective view thereof.

1 Claim, 4 Drawing Sheets



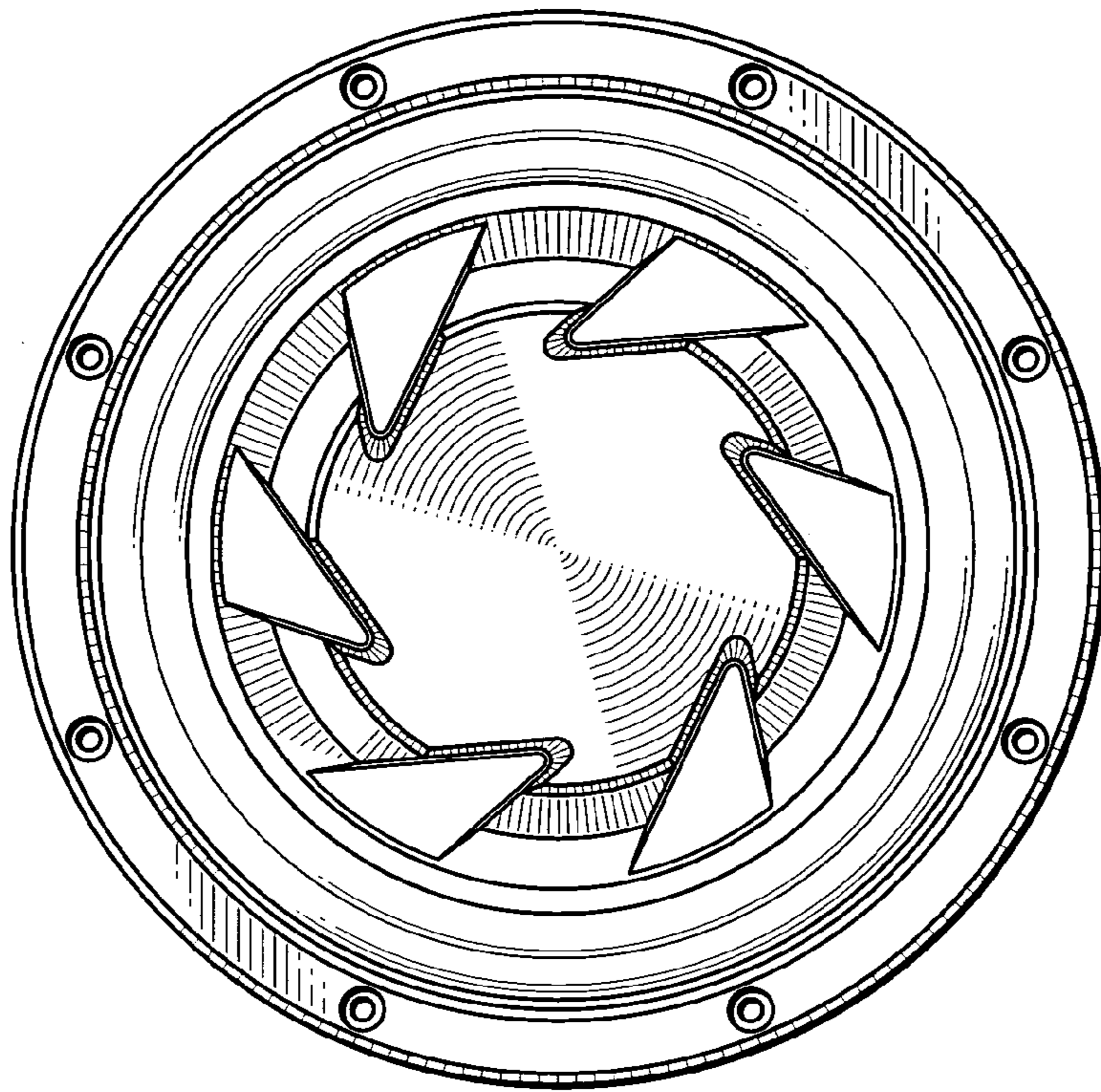


FIG. 1

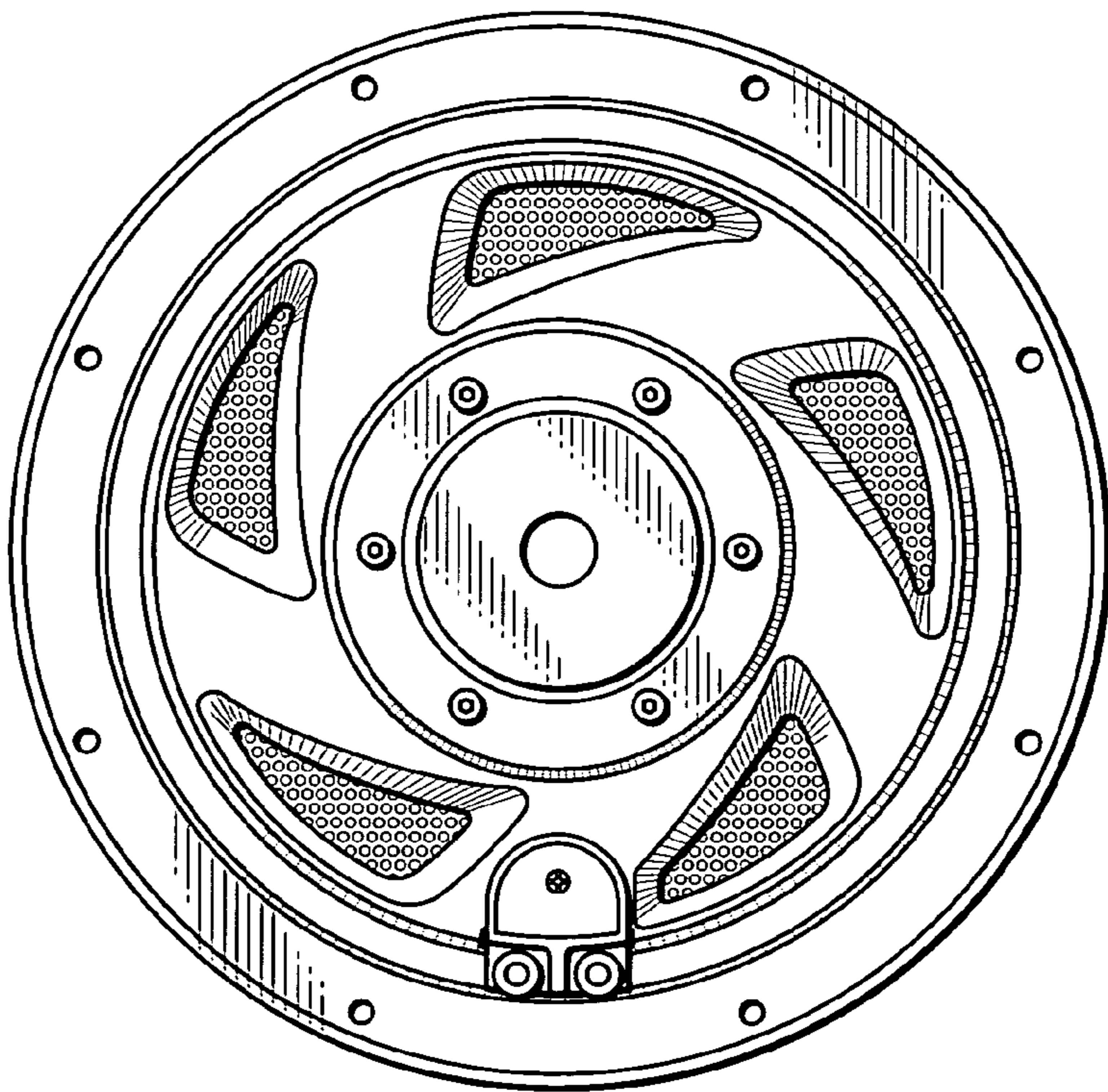


FIG. 2

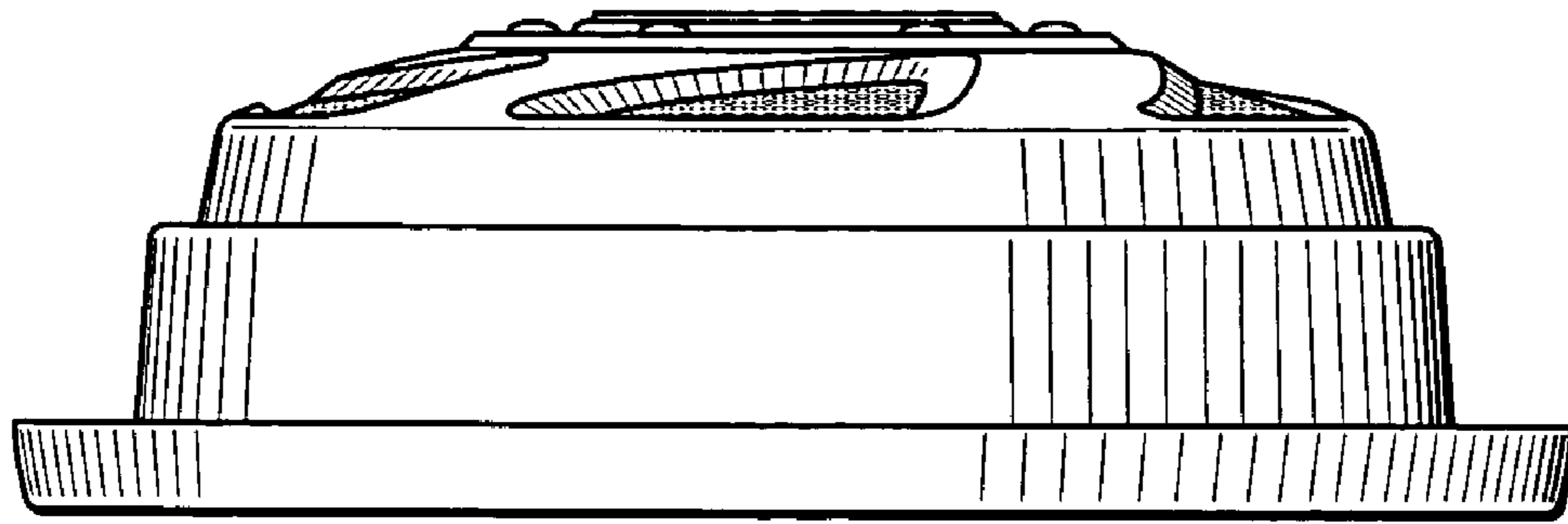


FIG. 3

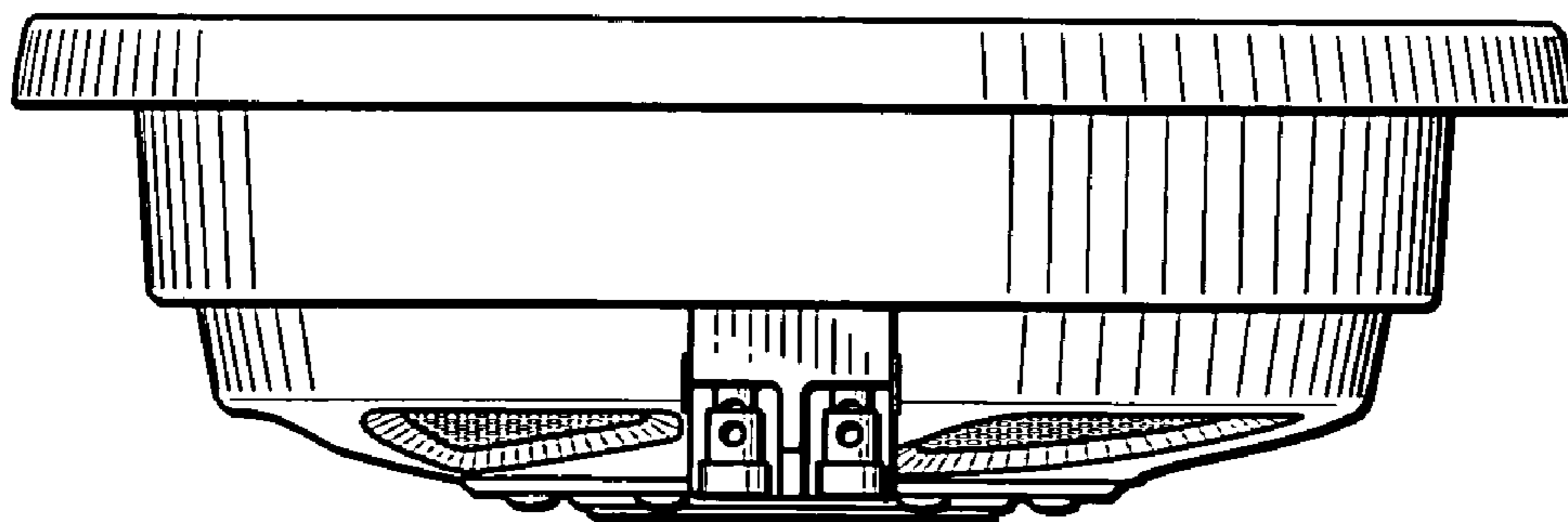


FIG. 4

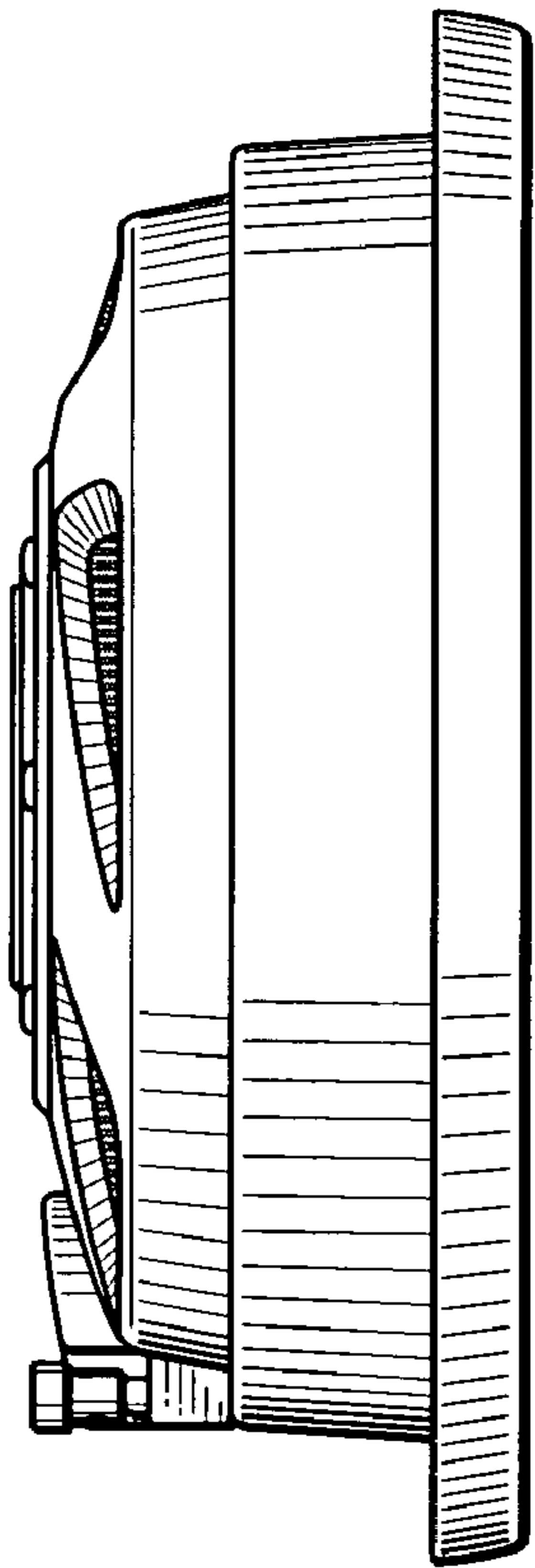


FIG. 5

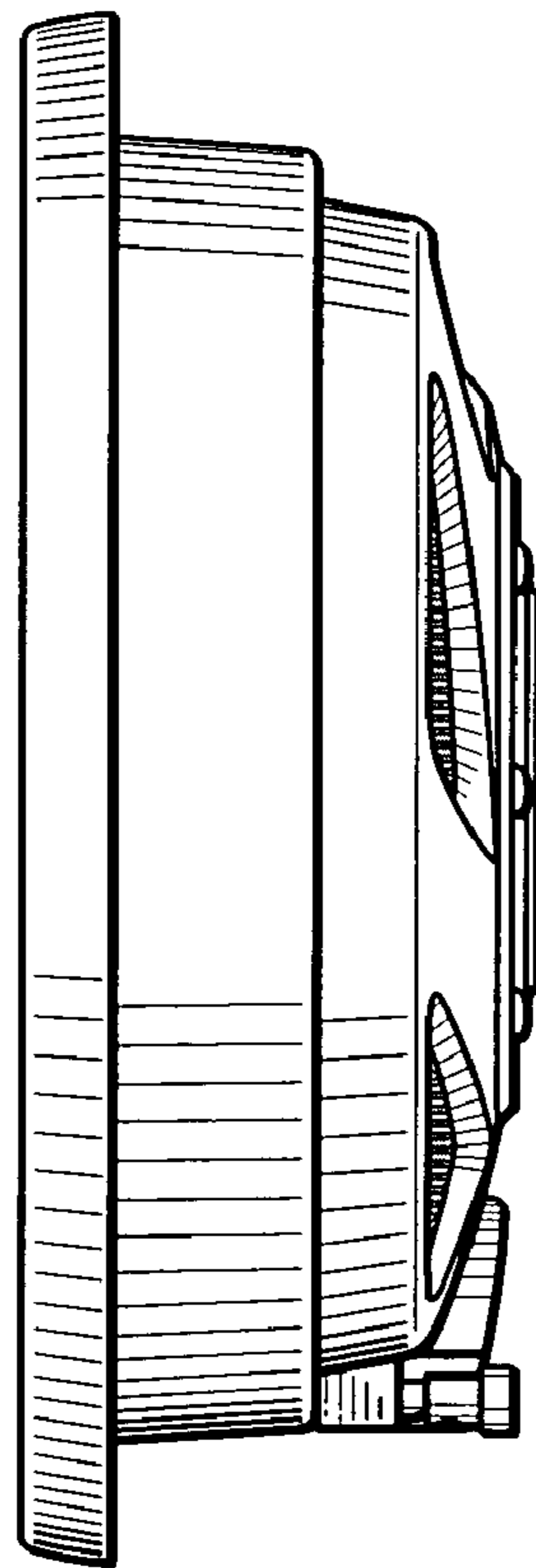


FIG. 6

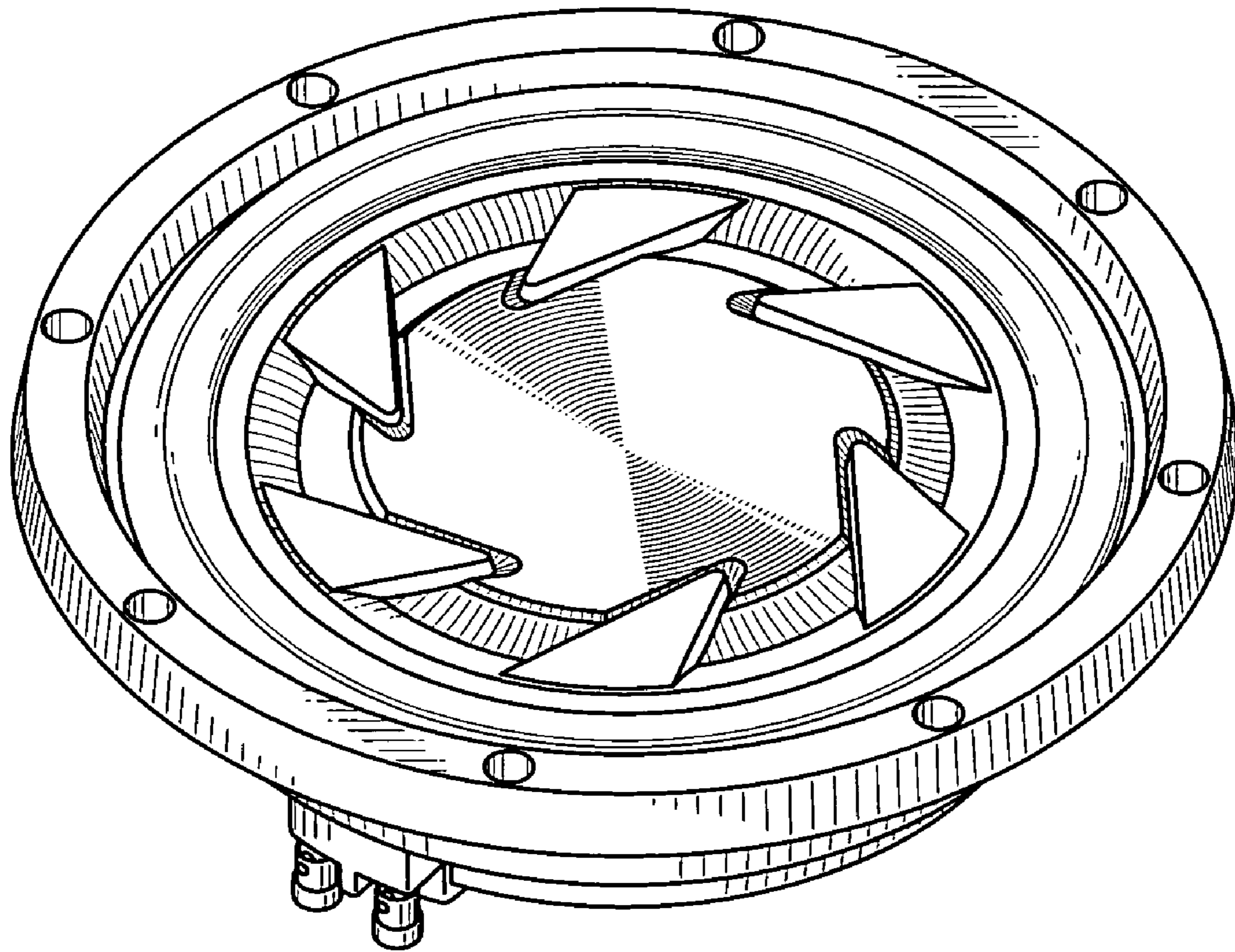


FIG. 7