

US00D581900S

(12) **United States Design Patent**
Caddes et al.

(10) **Patent No.:** **US D581,900 S**
(45) **Date of Patent:** **** Dec. 2, 2008**

(54) **COMMUNICATIONS HEADSET**

(75) Inventors: **Darrin Caddes**, Soquel, CA (US);
Diane Elabidi, Scotts Valley, CA (US);
Bowman Wang, Ben Lomond, CA (US);
Stann Sheperd, Santa Cruz, CA (US);
Christophe Koch, Santa Cruz, CA (US);
Gregor Magnusson, Aptos, CA (US)

(73) Assignee: **Plantronics, Inc.**, Santa Cruz, CA (US)

(**) Term: **14 Years**

(21) Appl. No.: **29/299,357**

(22) Filed: **Dec. 21, 2007**

(51) **LOC (8) Cl.** **14-01**
(52) **U.S. Cl.** **D14/206**
(58) **Field of Classification Search** D14/205,
D14/206, 223, 225; 181/129, 130; 379/430,
379/433; 381/370, 376, 377, 378, 379, 380,
381/381

See application file for complete search history.

(56) **References Cited**

U.S. PATENT DOCUMENTS

5,708,724 A * 1/1998 Burris et al. 381/370
5,757,944 A * 5/1998 Jensen et al. 381/385
5,793,878 A * 8/1998 Chang 381/370
6,377,697 B1 * 4/2002 Cheng 381/381
6,751,331 B2 * 6/2004 Eisenbraun 381/375
6,760,458 B1 * 7/2004 Bogeskov-Jensen et al. 381/370
6,839,448 B2 * 1/2005 Chen 381/370
7,106,877 B1 * 9/2006 Linville 381/381

D529,480 S * 10/2006 Wittenbrock et al. D14/206
D535,980 S * 1/2007 Bentley et al. D14/225
D537,815 S * 3/2007 Bentley et al. D14/225
D539,266 S * 3/2007 Bentley et al. D14/205
D540,778 S * 4/2007 Thompson et al. D14/206
7,221,771 B1 * 5/2007 DeKalb et al. 381/381
7,245,737 B2 * 7/2007 Amae et al. 381/374
D549,216 S * 8/2007 Viduya et al. D14/206
D550,658 S * 9/2007 Wang D14/223
D555,152 S * 11/2007 Wang D14/223
D564,500 S * 3/2008 Wang D14/223
D575,768 S * 8/2008 Wang D14/206

* cited by examiner

Primary Examiner—Paula Greene

(74) *Attorney, Agent, or Firm*—Michael D. Rodriguez

(57) **CLAIM**

The ornamental design for a communications headset, as shown and described.

DESCRIPTION

FIG. 1 is front-top-right perspective view of a communications headset showing our new design;

FIG. 2 is a back view thereof;

FIG. 3 is a front view thereof;

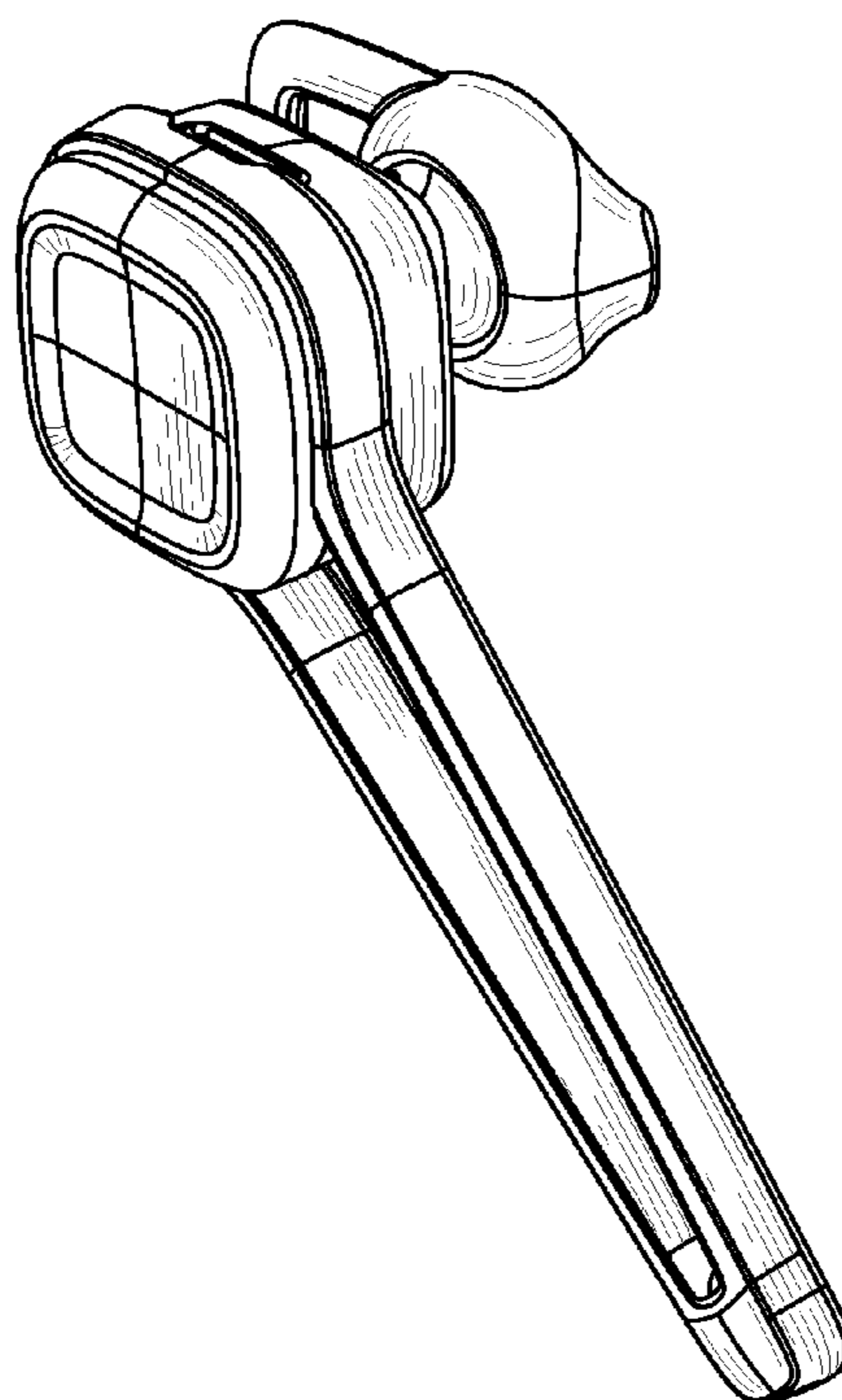
FIG. 4 is a left side view thereof;

FIG. 5 is a right side view thereof;

FIG. 6 is a top view thereof; and,

FIG. 7 is a bottom view thereof.

1 Claim, 3 Drawing Sheets



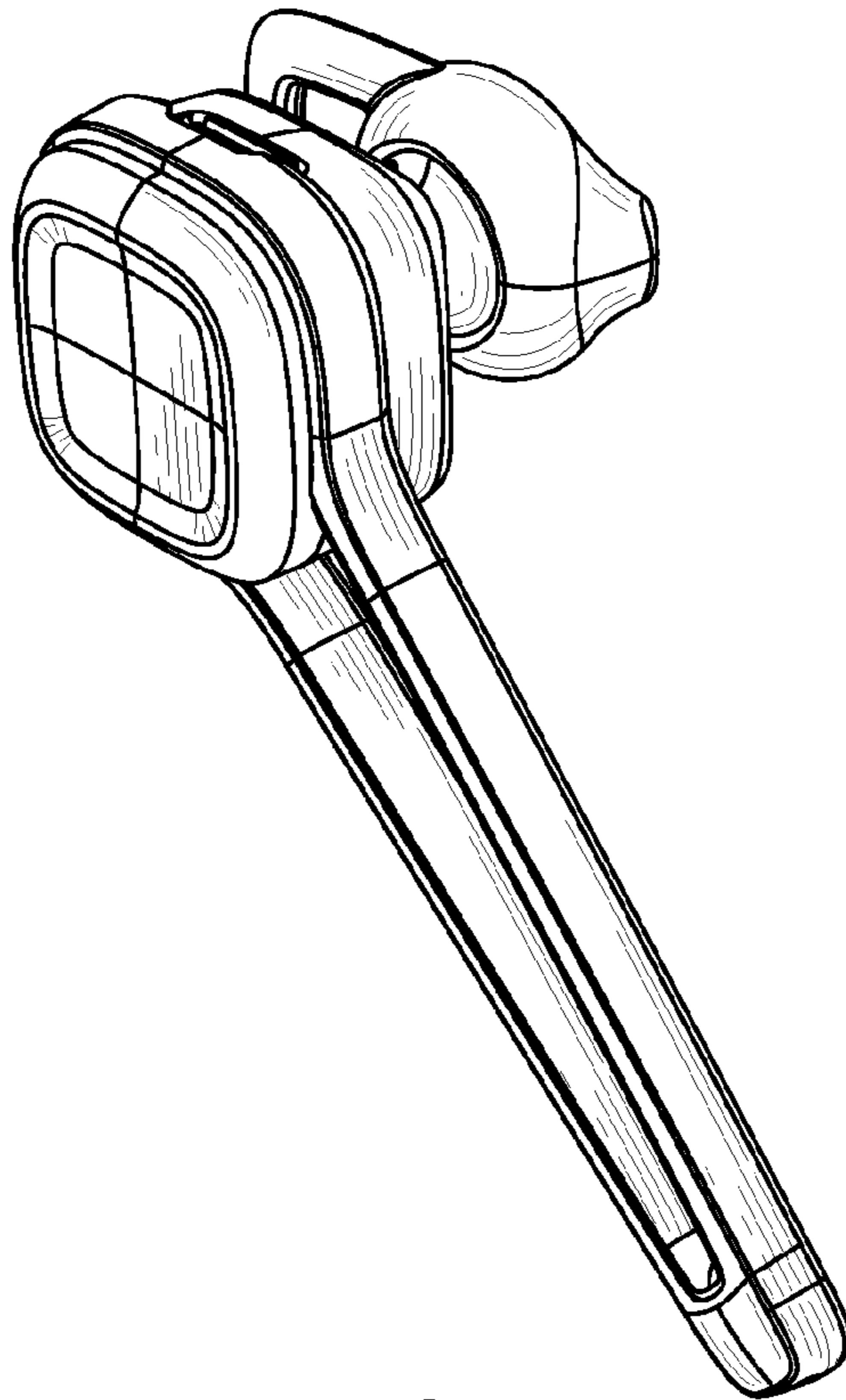


FIG. 1

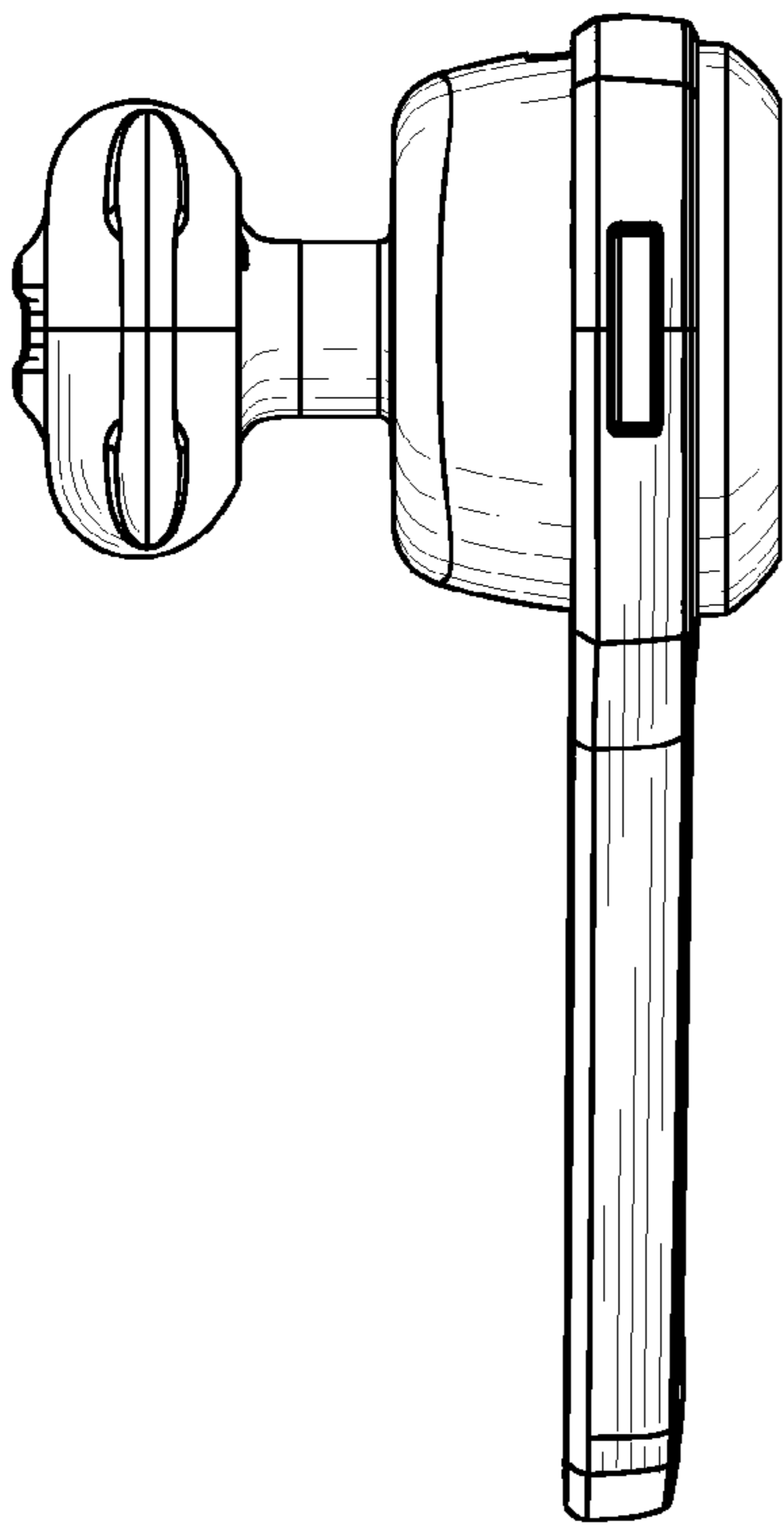


FIG. 2

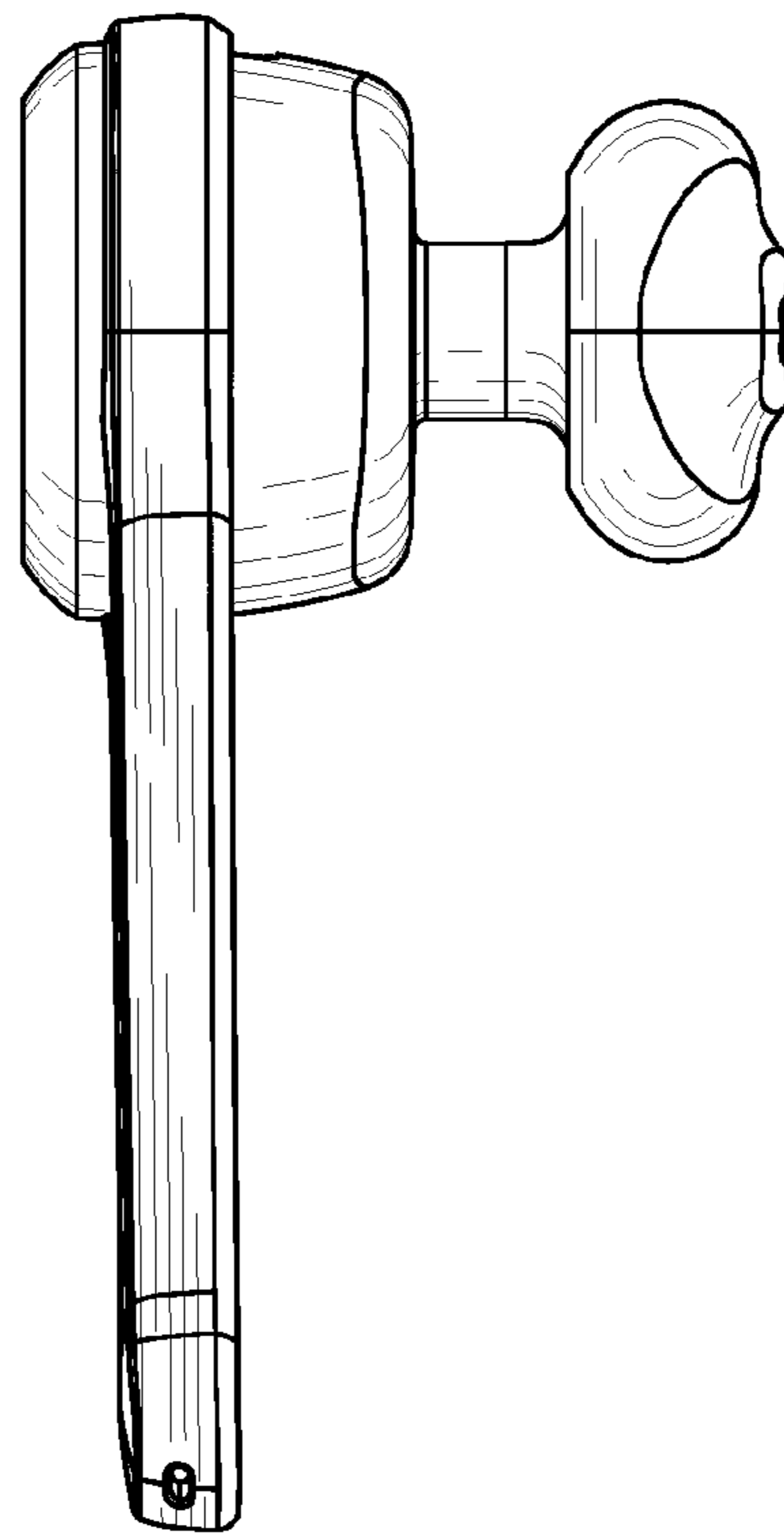


FIG. 3

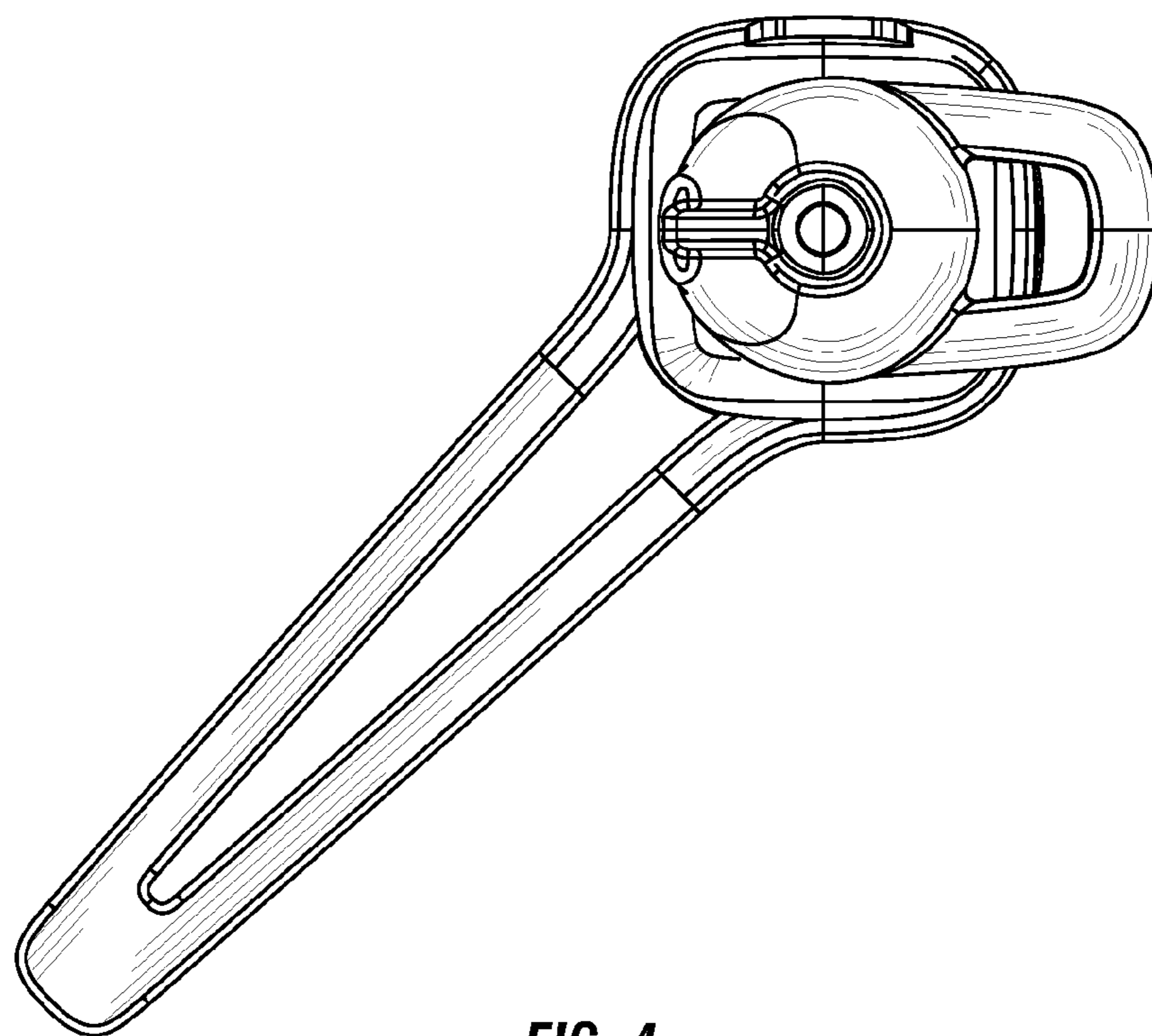


FIG. 4

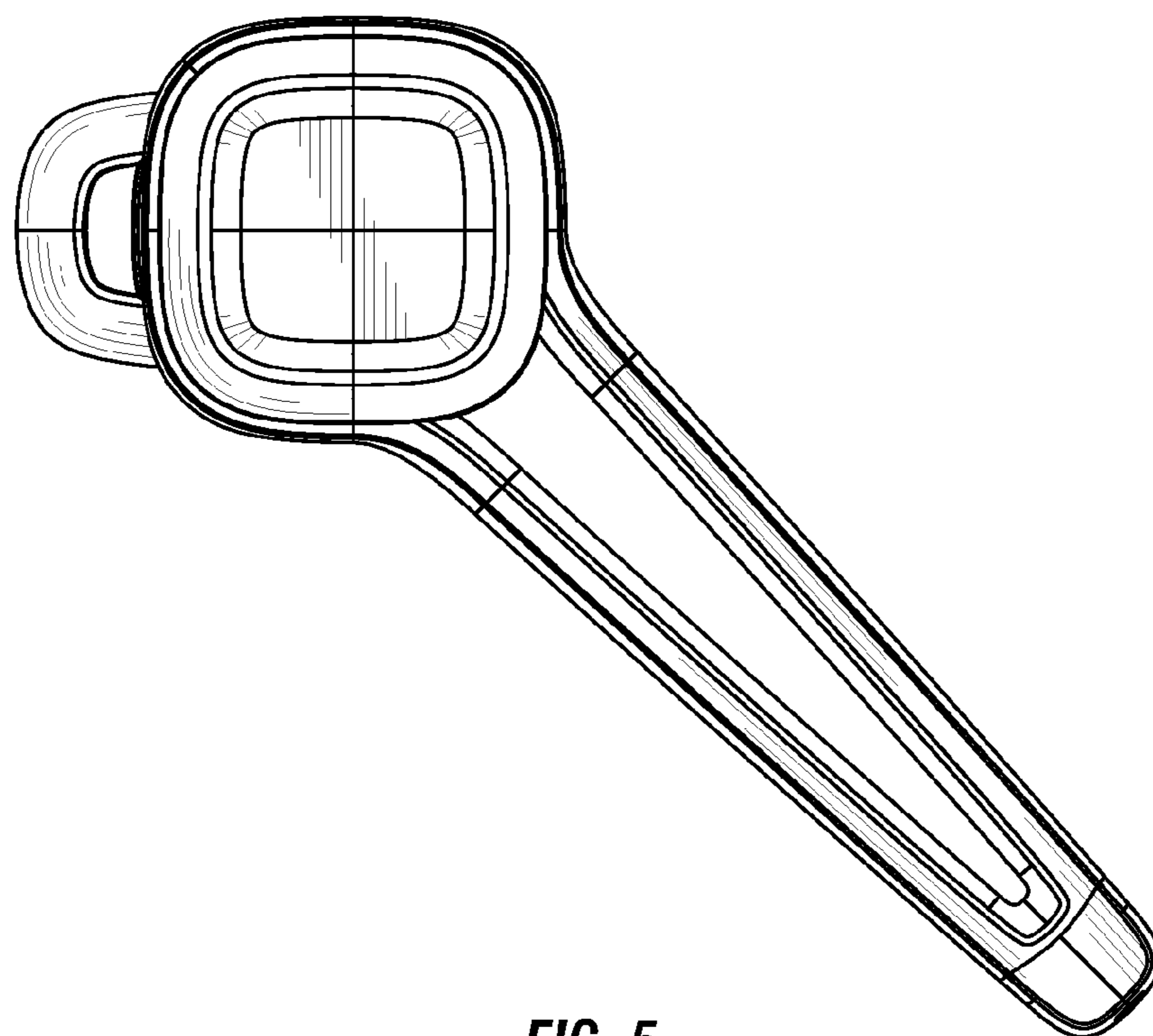


FIG. 5

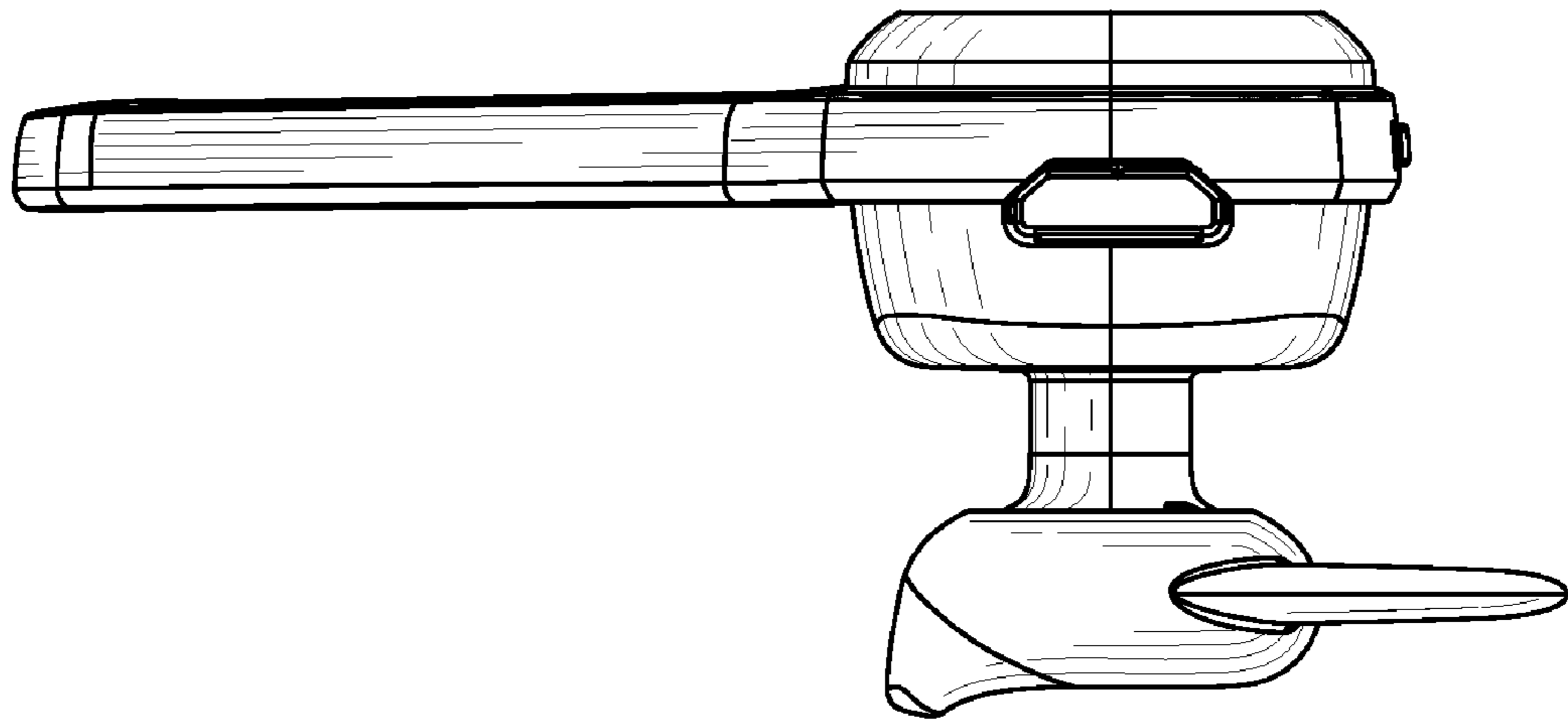


FIG. 6

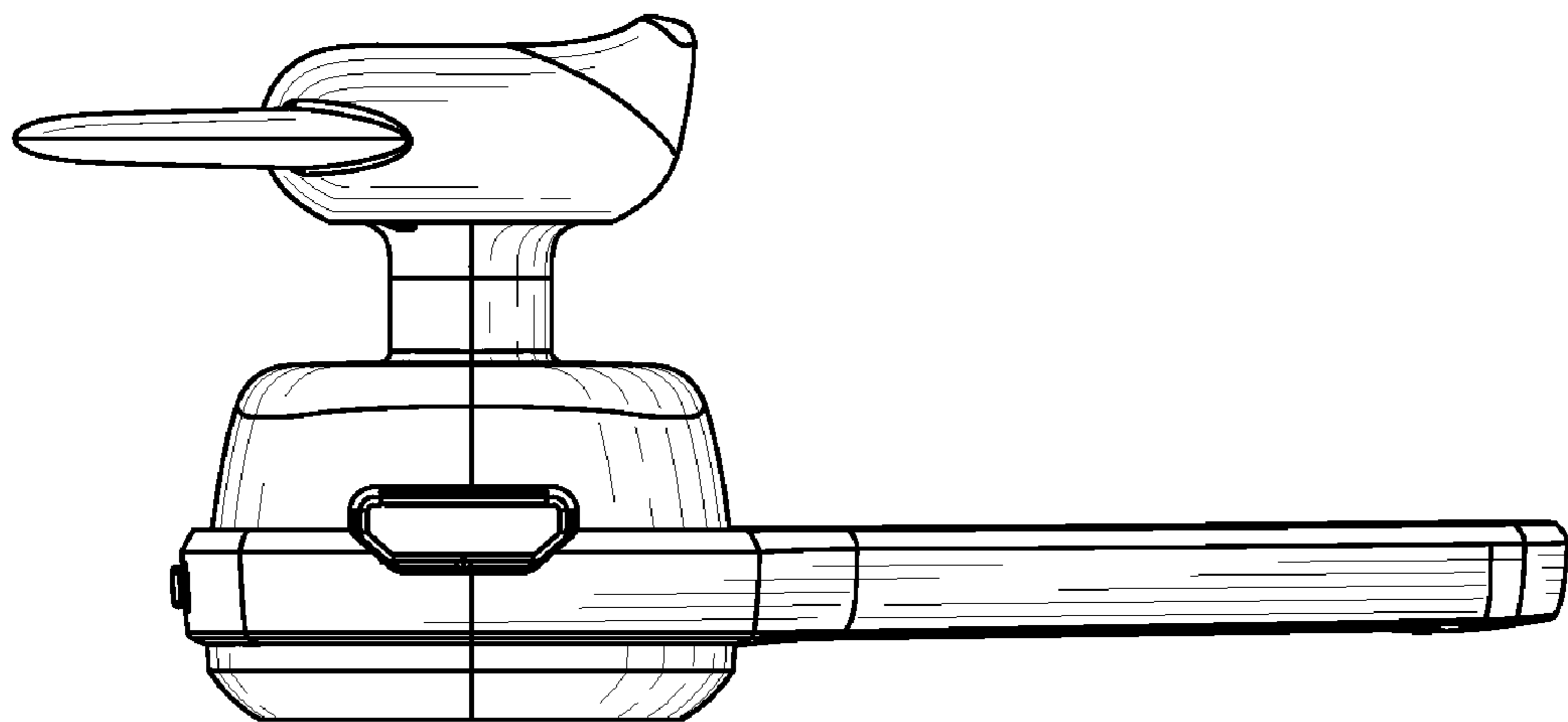


FIG. 7