



US00D581898S

(12) **United States Design Patent**
Oka

(10) **Patent No.:** **US D581,898 S**
(45) **Date of Patent:** **** Dec. 2, 2008**

(54) **PORTABLE RECORDER**

D571,778 S * 6/2008 Aoki D14/167

(75) Inventor: **Hiroki Oka**, Tokyo (JP)

FOREIGN PATENT DOCUMENTS

(73) Assignee: **Sony Corproation**, Tokyo (JP)

JP D1265953 S 3/2006
JP 2007-43510 A 2/2007

(**) Term: **14 Years**

OTHER PUBLICATIONS

(21) Appl. No.: **29/290,604**

Web page, "Handy Recorder H4", <http://www.zoom.co.jp/japanese/news/news142/index.php2007/10/17>, 7 sheets, Zoom Corporation (Oct. 2007).

(22) Filed: **Dec. 26, 2007**

* cited by examiner

(30) **Foreign Application Priority Data**

Sep. 5, 2007 (JP) D2007-024225

Primary Examiner—Cathron Brooks
Assistant Examiner—Austin Murphy

(51) **LOC (8) Cl.** **14-01**

(52) **U.S. Cl.** **D14/167**

(58) **Field of Classification Search** D14/167,
D14/154, 168, 188, 496, 156, 160, 161, 162,
D14/163, 164, 165, 192, 214, 215, 228; D16/208;
D26/38; 455/351, 350; D8/61

See application file for complete search history.

(74) *Attorney, Agent, or Firm*—Rader, Fishman & Grauer, PLLC

(57) **CLAIM**

The ornamental design for a portable recorder, as shown and described.

(56) **References Cited**

U.S. PATENT DOCUMENTS

D205,012 S * 6/1966 Henggeler D8/61
D311,006 S * 10/1990 Hino et al. D14/165
D408,411 S 4/1999 Hakoda
D430,134 S 8/2000 Obata et al.
D430,864 S * 9/2000 Chung D14/228
D436,096 S * 1/2001 Nagele et al. D14/214
D472,884 S 4/2003 Narita
D475,039 S * 5/2003 Thornton et al. D14/228
D497,900 S * 11/2004 Motoishi D14/215
D523,414 S 6/2006 Kobayashi
D542,262 S * 5/2007 Oka D14/167

DESCRIPTION

FIG. 1 is a front right top perspective view of a portable recorder showing my new design;

FIG. 2 is an enlarged front right top perspective view thereof;

FIG. 3 is an enlarged rear left top perspective view thereof;

FIG. 4 is a front elevational view thereof;

FIG. 5 is a rear elevational view thereof;

FIG. 6 is a left side elevational view thereof;

FIG. 7 is a right side elevational view thereof; and,

FIG. 8 is a top plan view thereof.

Portions that are shown in broken lines are illustrative purposes only and form no part of the claimed design.

1 Claim, 8 Drawing Sheets

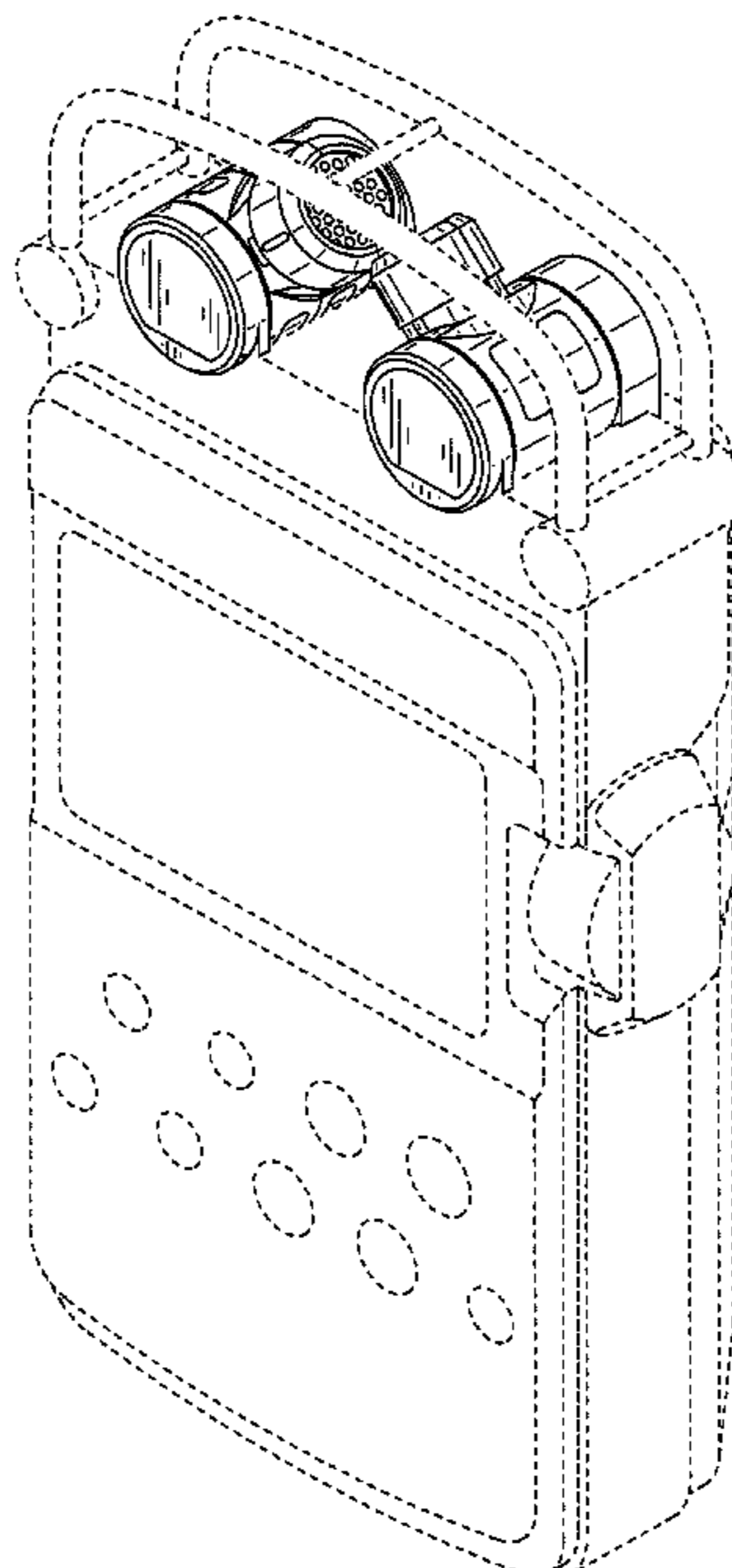


Fig. 1

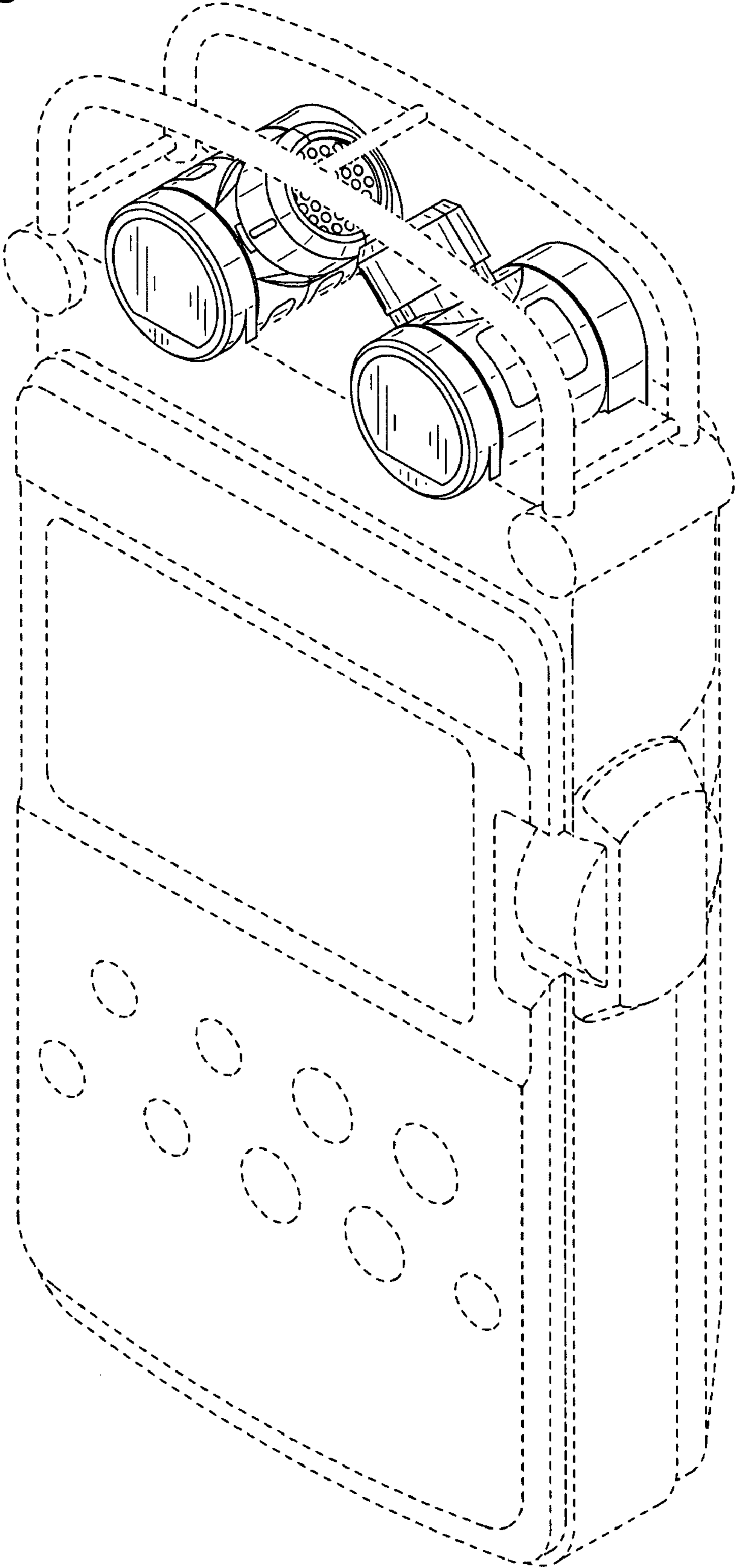


Fig.2

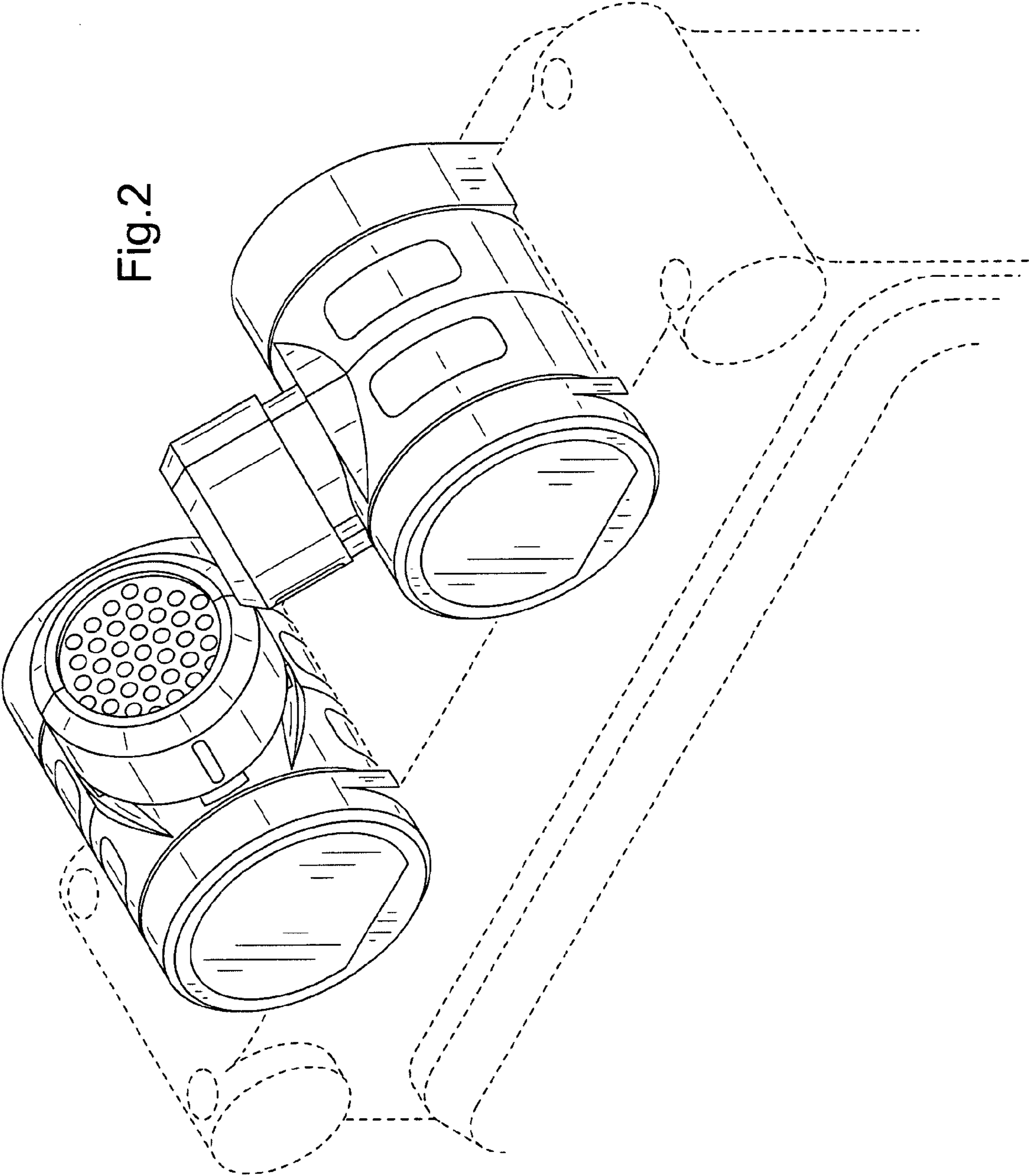


Fig.3

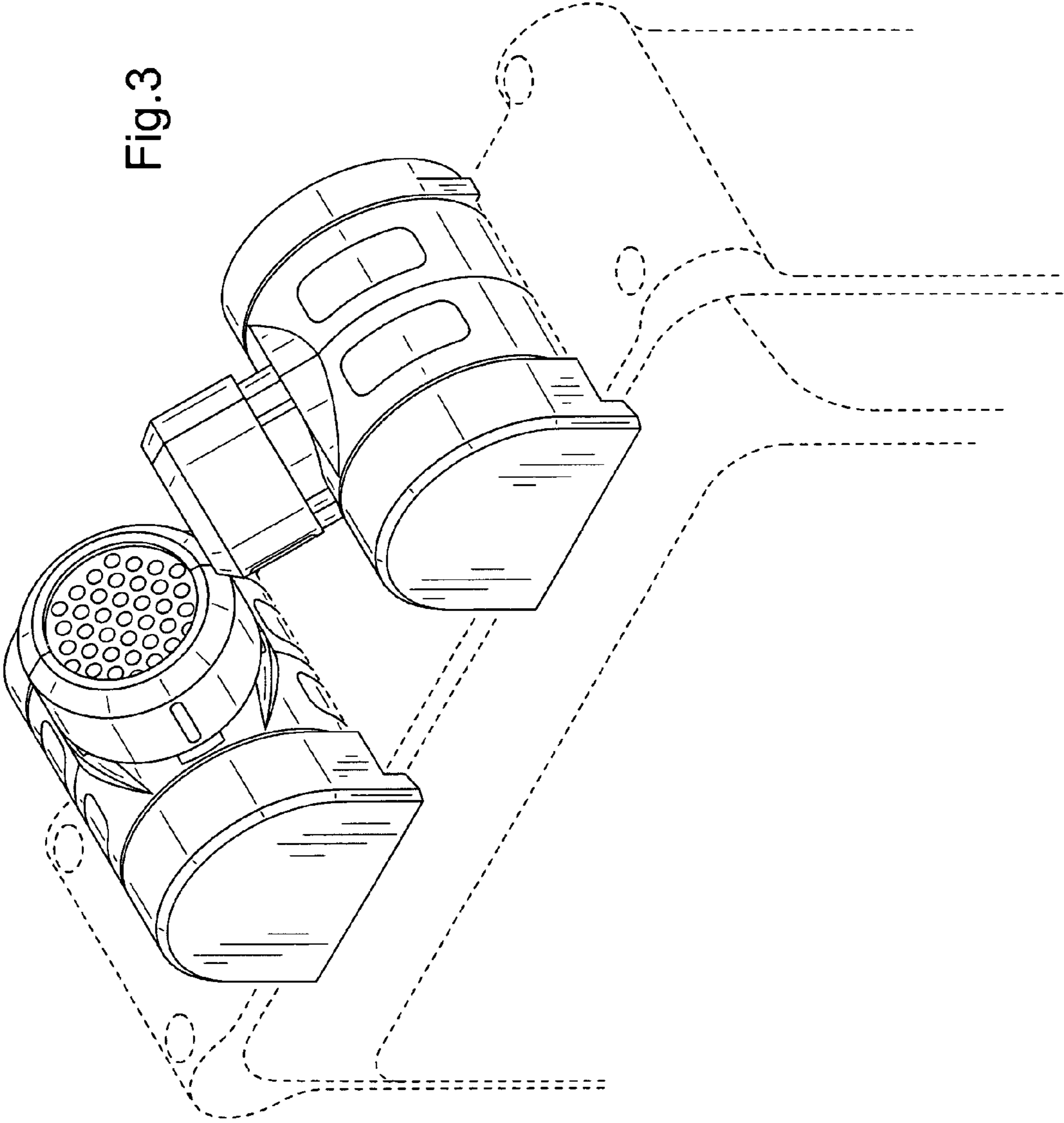


Fig.4

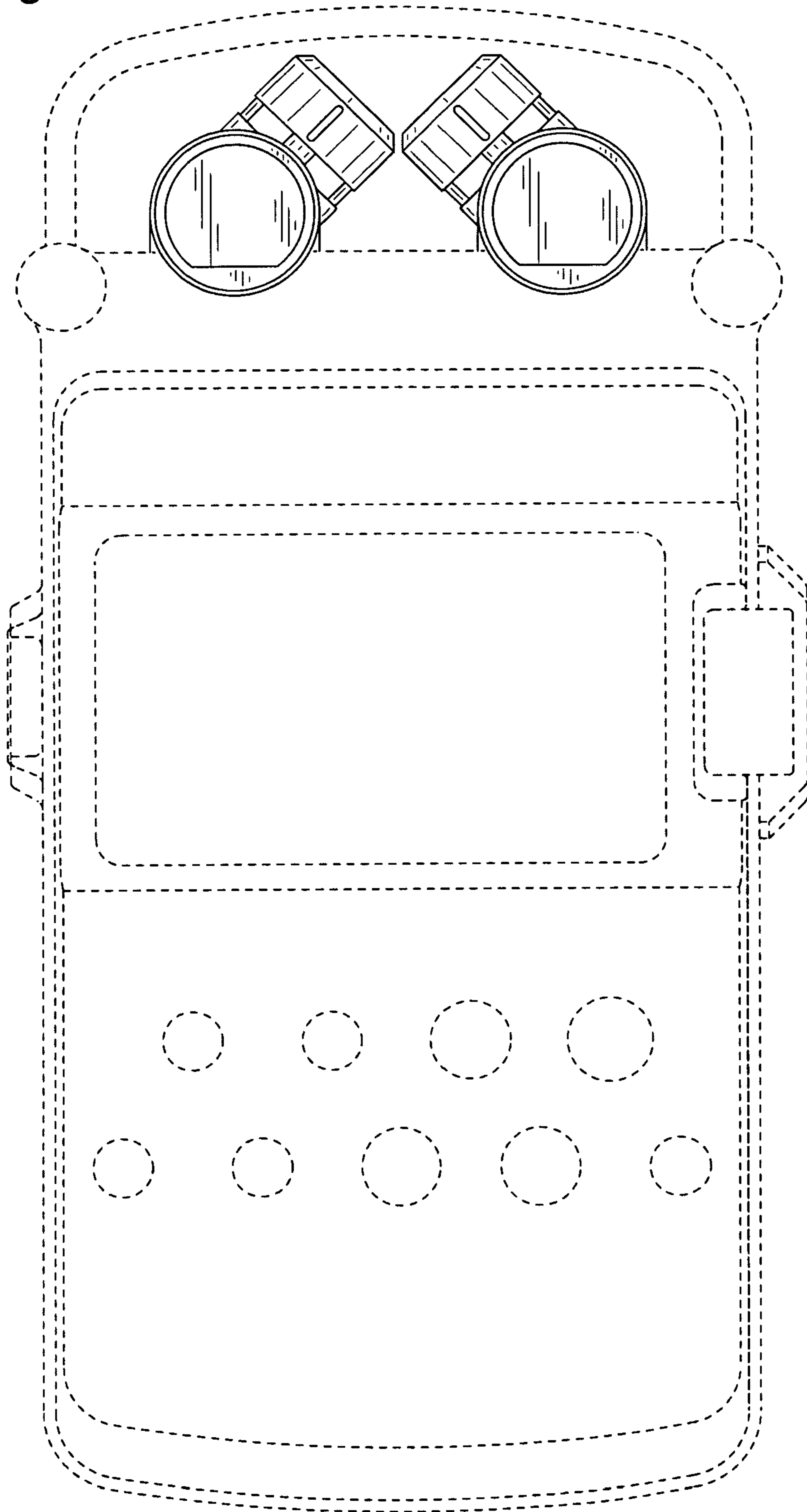


Fig.5

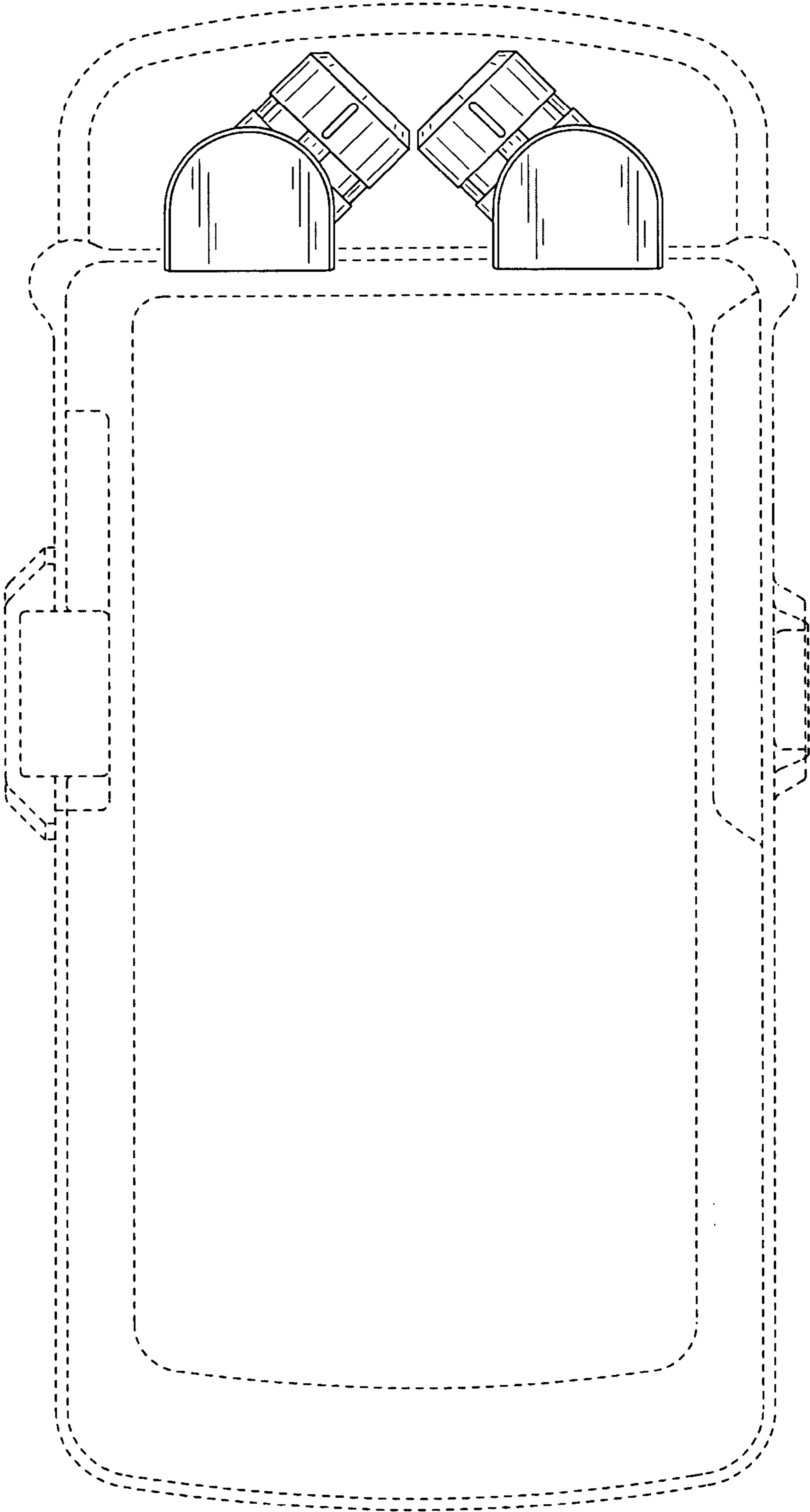


Fig.6

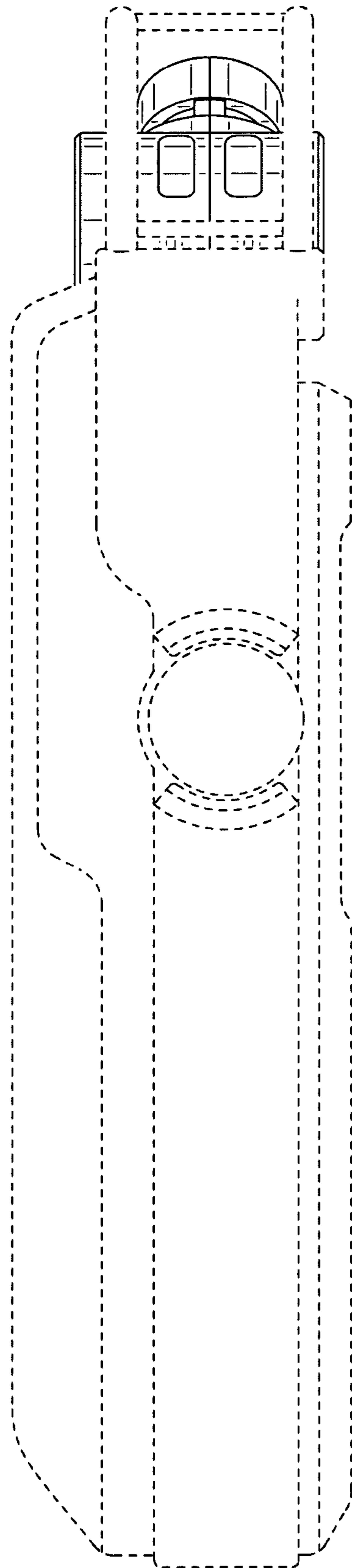


Fig.7

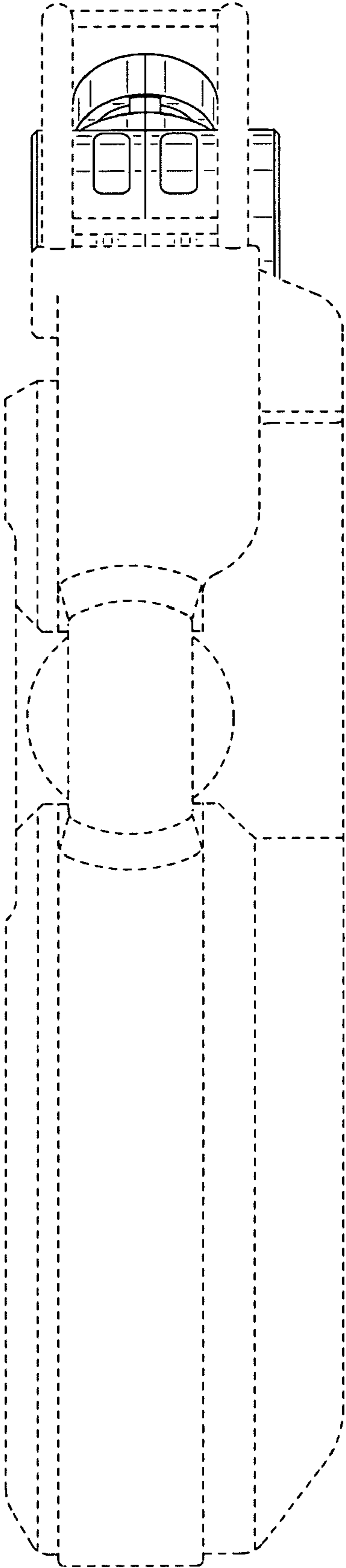


Fig.8

