



US00D581897S

(12) **United States Design Patent**
Katori

(10) **Patent No.:** **US D581,897 S**

(45) **Date of Patent:** **** Dec. 2, 2008**

(54) **TELEPHONE**

(75) Inventor: **Takehito Katori**, Kadoma (JP)

(73) Assignee: **Panasonic Corporation**, Osaka (JP)

(**) Term: **14 Years**

(21) Appl. No.: **29/304,308**

(22) Filed: **Feb. 28, 2008**

(51) **LOC (8) Cl.** **14-03**

(52) **U.S. Cl.** **D14/151**

(58) **Field of Classification Search** D14/125-130,
D14/136-137, 140-142, 147-151, 158-159,
D14/171, 188, 225-226, 240, 243, 247, 251,
D14/253, 349, 356, 358, 434; 379/88.17,
379/90.01, 93.17, 387.01, 388.02, 419-420.04,
379/428.01-428.04, 434-436, 440, 446-447,
379/454-455; 381/16, 71.1; D13/107-108;
191/12.2 R; 320/108, 110, 113-115; 455/411,
455/550.1-90.3; 348/14.01-14.06

See application file for complete search history.

(56) **References Cited**

U.S. PATENT DOCUMENTS

5,170,427	A *	12/1992	Guichard et al.	348/14.05
D363,285	S *	10/1995	Vessey et al.	D14/151
D370,911	S *	6/1996	Mo	D14/149
D381,981	S *	8/1997	Johansson	D14/151
D405,447	S *	2/1999	Landry et al.	D14/151
D411,534	S *	6/1999	Lepack et al.	D14/130
D418,505	S	1/2000	Wood et al.		
6,121,958	A *	9/2000	Clark et al.	345/168
D461,462	S	8/2002	Shen et al.		
D529,477	S *	10/2006	Hsu	D14/151
D556,180	S *	11/2007	Udagawa et al.	D14/151
D558,181	S *	12/2007	Takada et al.	D14/151
D562,304	S *	2/2008	Takada et al.	D14/151
D575,263	S *	8/2008	Brown et al.	D14/151
D576,998	S *	9/2008	Furuno	D14/151

OTHER PUBLICATIONS

Uniden TRU9496, <URL:http://www.101phones.com/details/2069-356/Uniden-Multi-Line-Cordless-TRU9496.html>, retrieved from

internet Sep. 19, 2008 6:06:19 PM.*

AT&T E2662B, <URL:http://www.101phones.com/details/7413-1340/ATT-Multi-Line-Cordless-Phones-E2662B.html>, retrieved from internet Sep. 19, 2008 6:11:21 PM.*

* cited by examiner

Primary Examiner—Ian Simmons

Assistant Examiner—Carla Jobe Wright

(74) *Attorney, Agent, or Firm*—Brinks Hofer Gilson & Lione

(57) **CLAIM**

I claim the ornamental design for a telephone, as shown and described.

DESCRIPTION

FIG. 1 is a front perspective view of a telephone of the present invention;

FIG. 2 is a front view thereof;

FIG. 3 is a rear view thereof;

FIG. 4 is a first side view thereof;

FIG. 5 is a second side view thereof;

FIG. 6 is a top view thereof;

FIG. 7 is a bottom view thereof;

FIG. 8 is a front perspective view thereof shown with a handset; and,

FIG. 9 is a front perspective view thereof shown with a handset and in an alternate down position.

The broken line showing of the telephone leg feature, handset, coiled cord, and other environmental structures is for illustrative purposes only and forms no part of the claimed design. The unshaded region on the right side of the telephone (shown in FIGS. 1, 5, 8, and 9), the unshaded region on the left side of the telephone (shown in FIG. 4) and the unshaded region on the rear of the telephone (shown in FIGS. 3 and 7) that are defined in part by broken lines, and in part by solid lines, are not part of the claimed design. The broken lines and unshaded regions form no part of the claimed design.

1 Claim, 9 Drawing Sheets

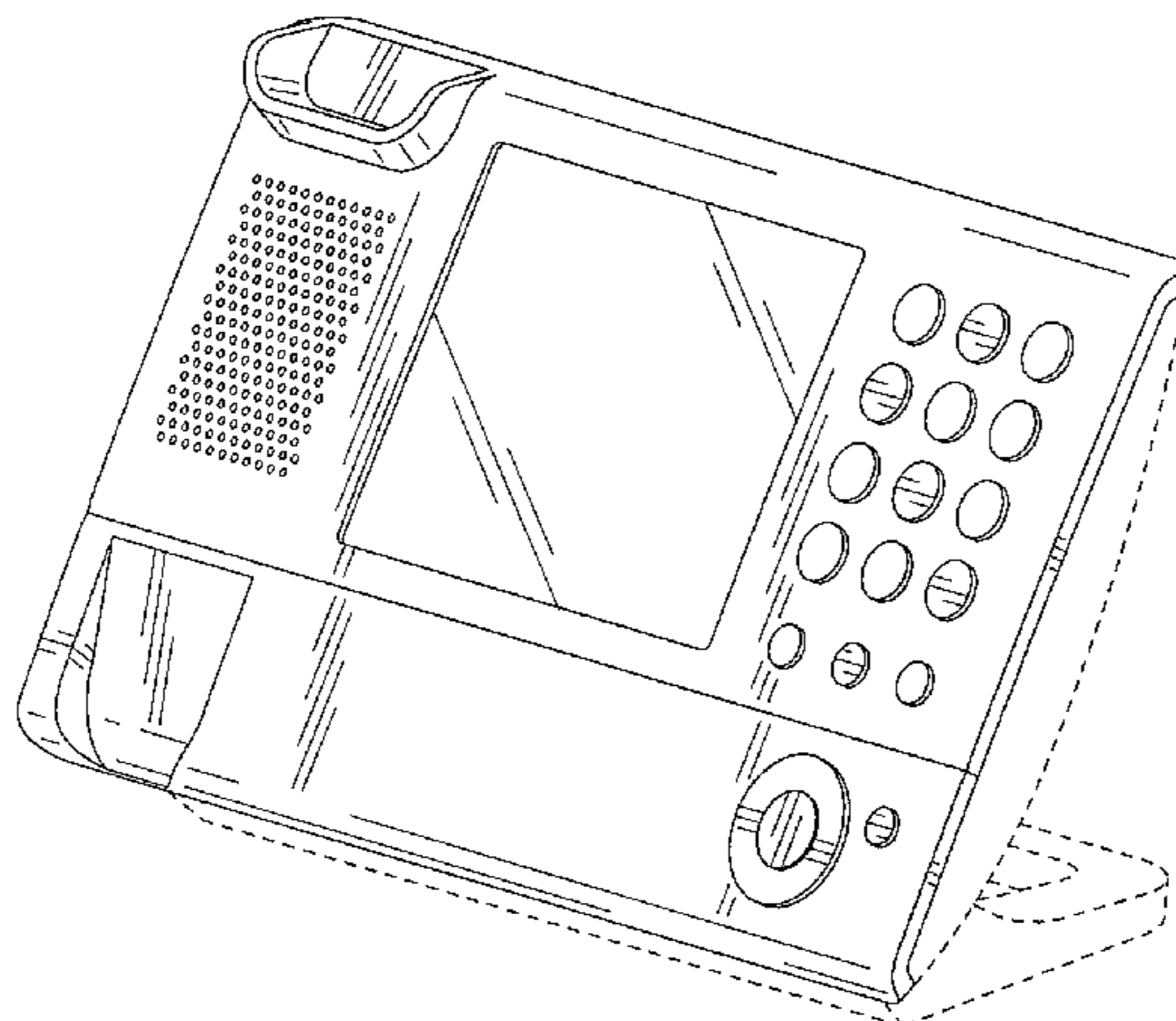


FIG. 1

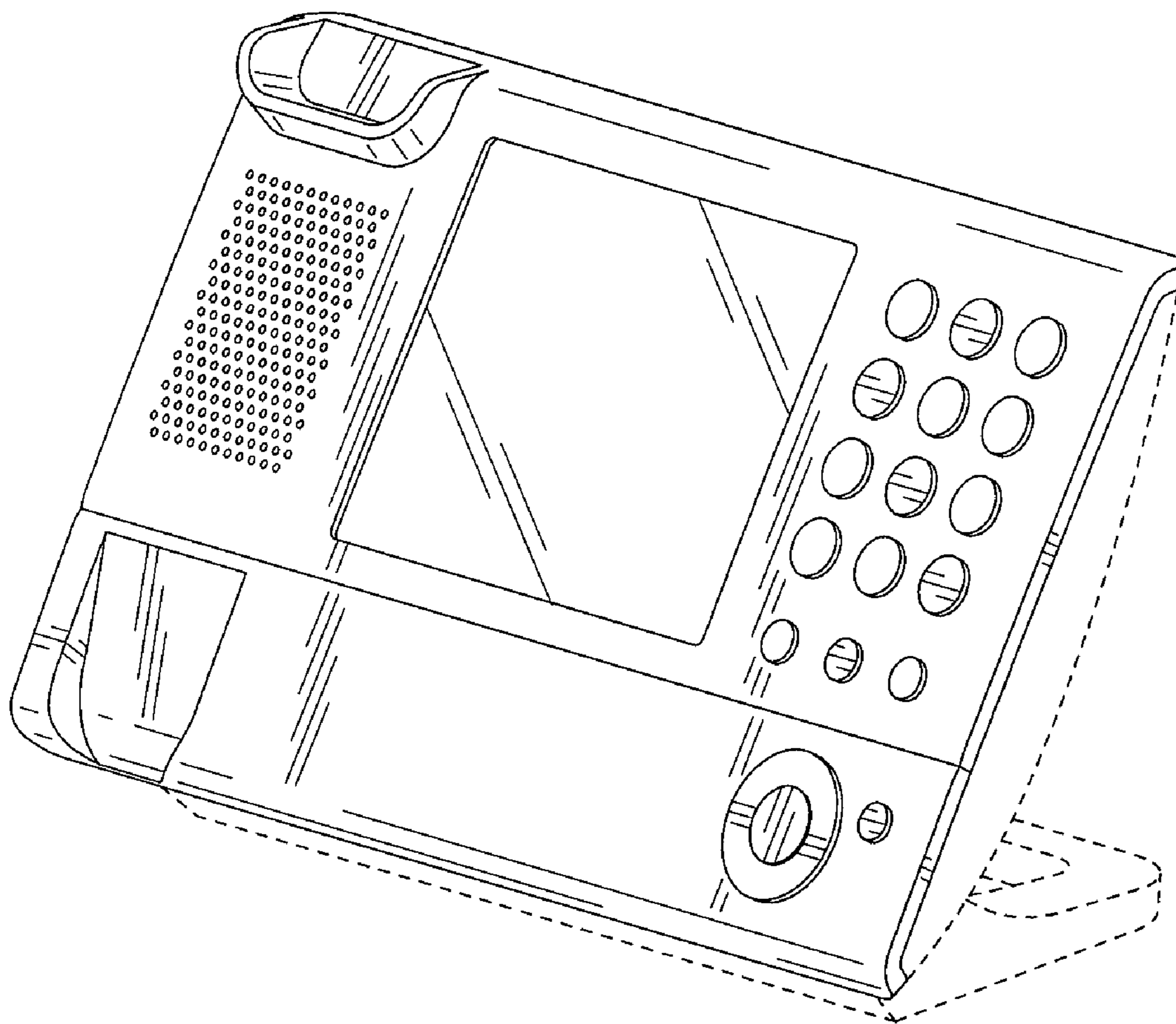


FIG.2

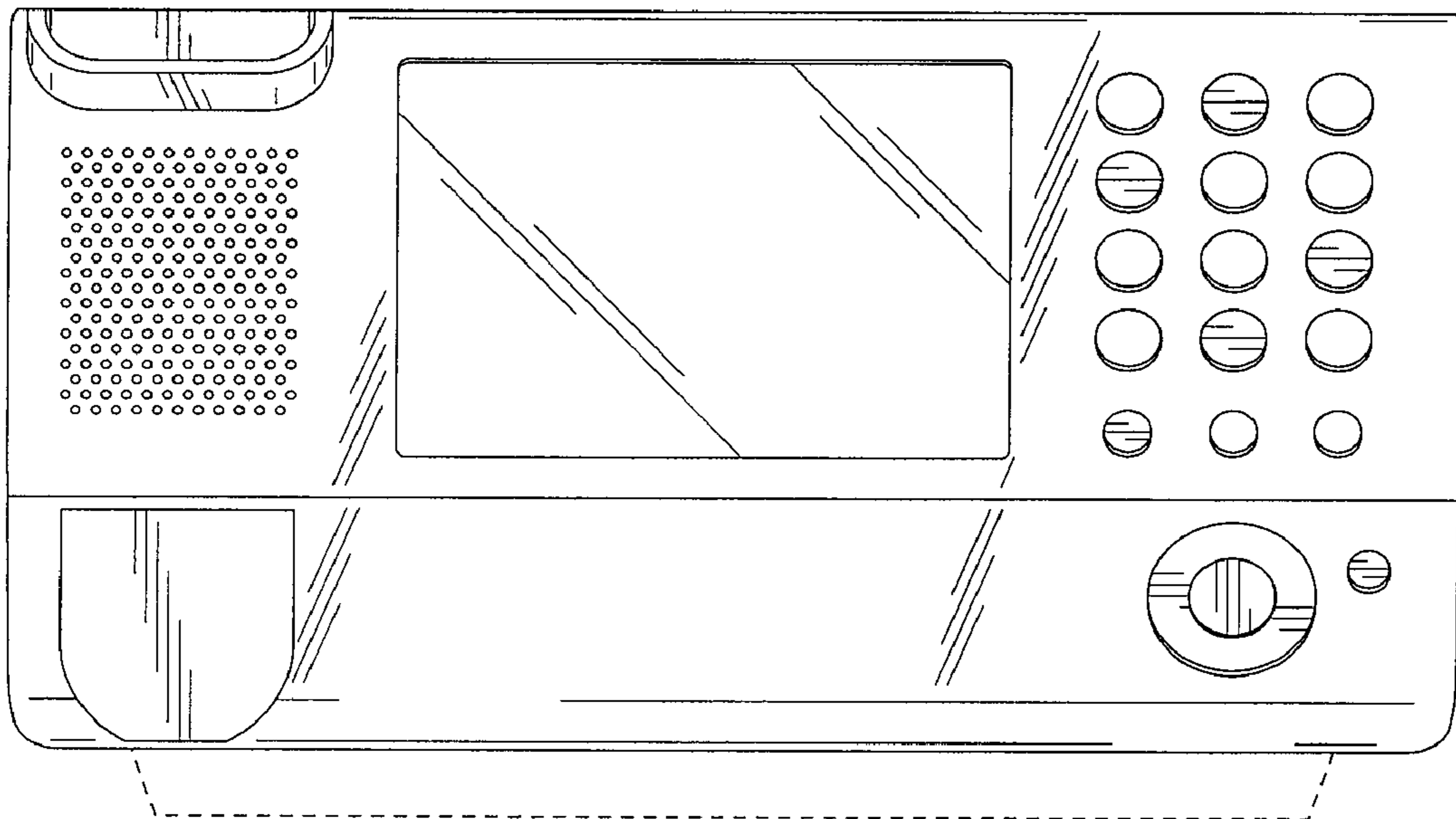


FIG.3

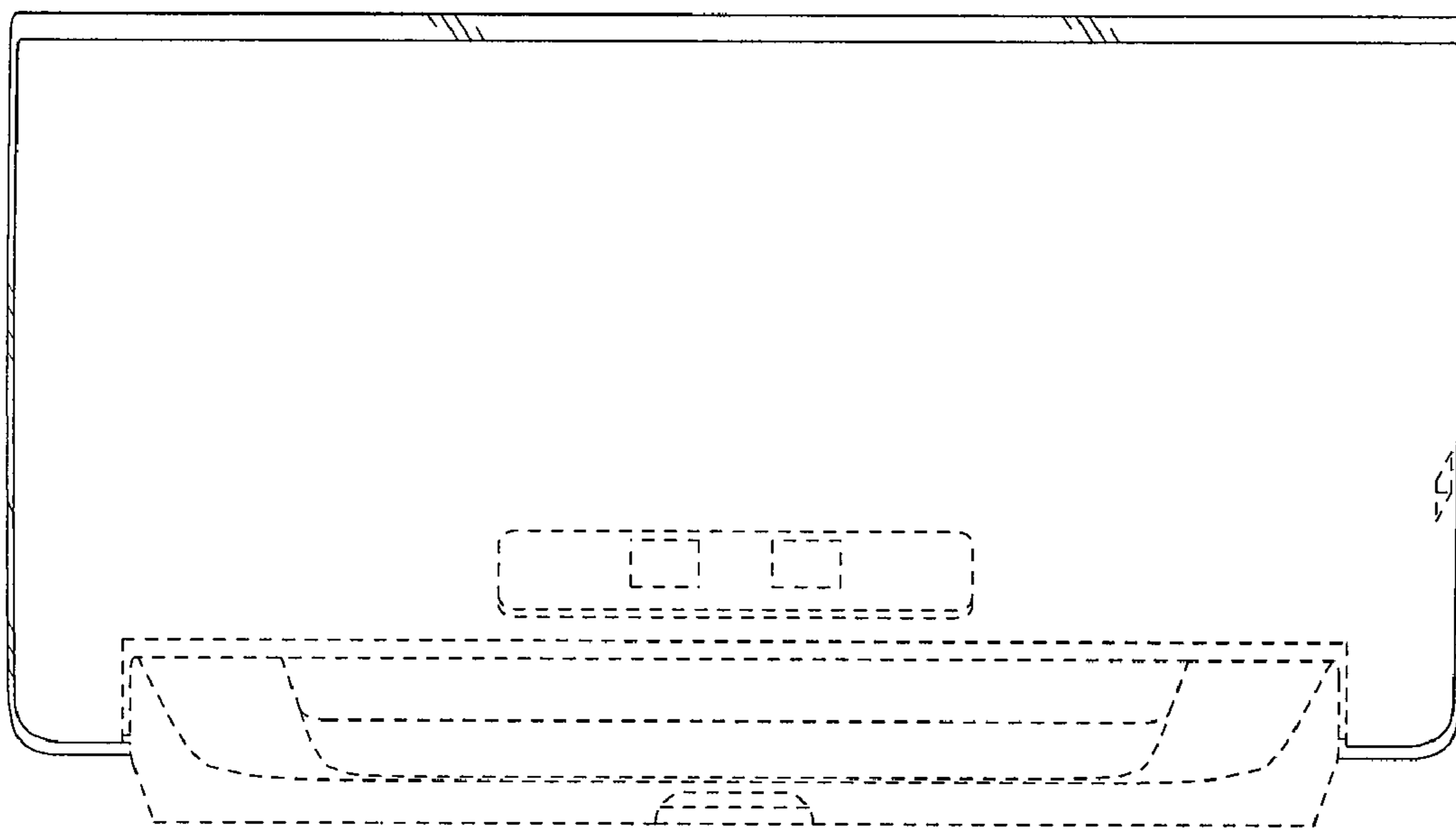


FIG.4

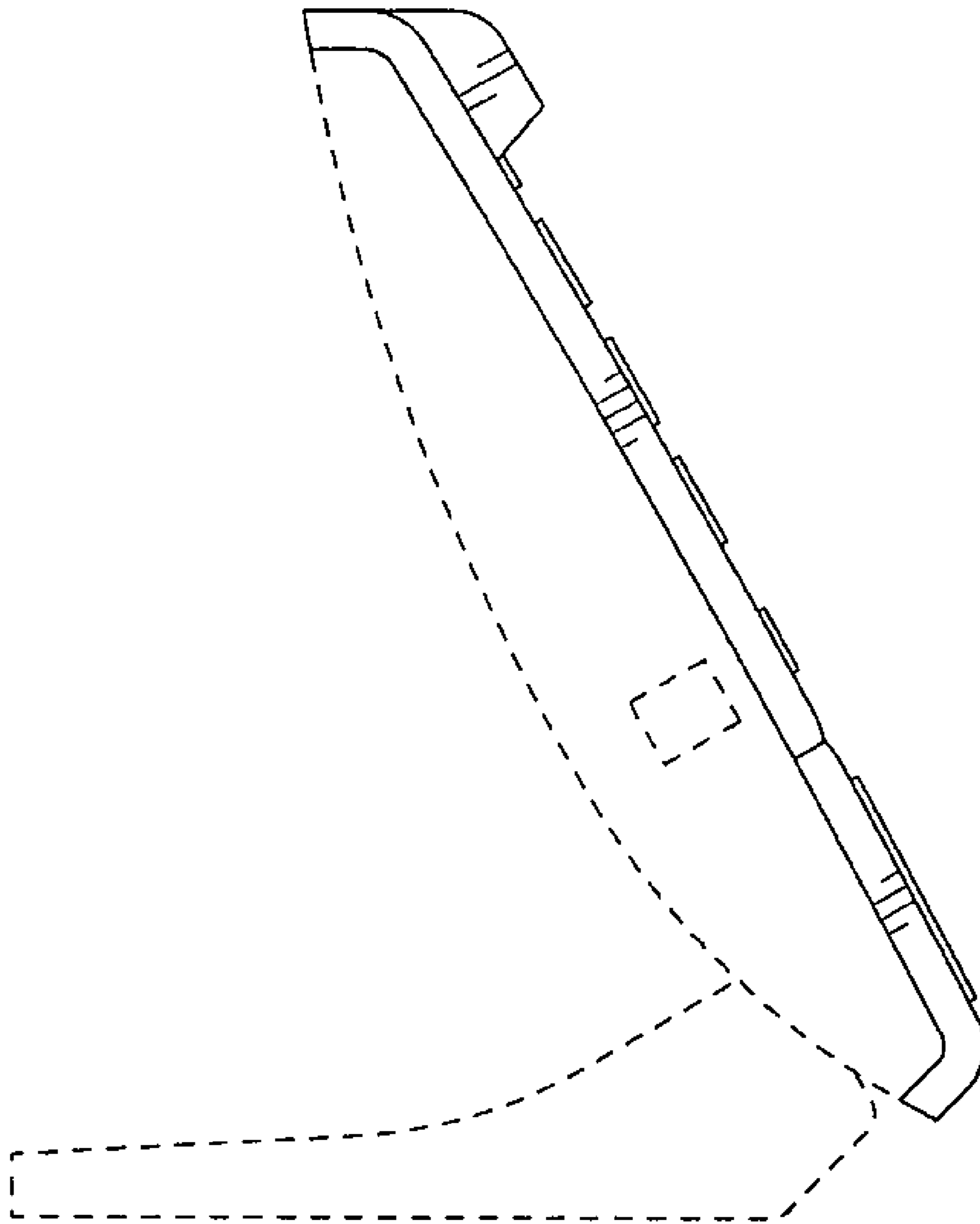


FIG.5

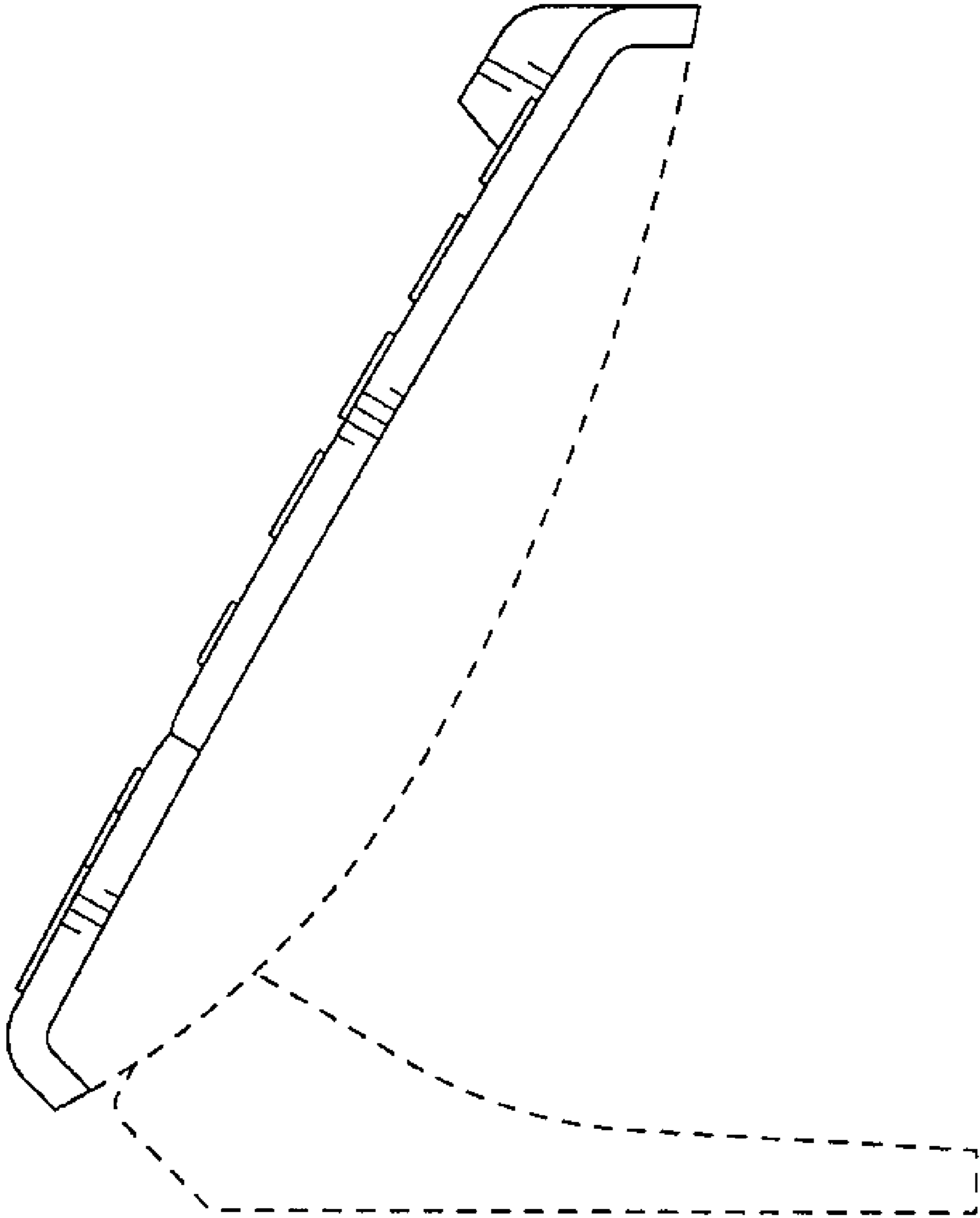


FIG.6

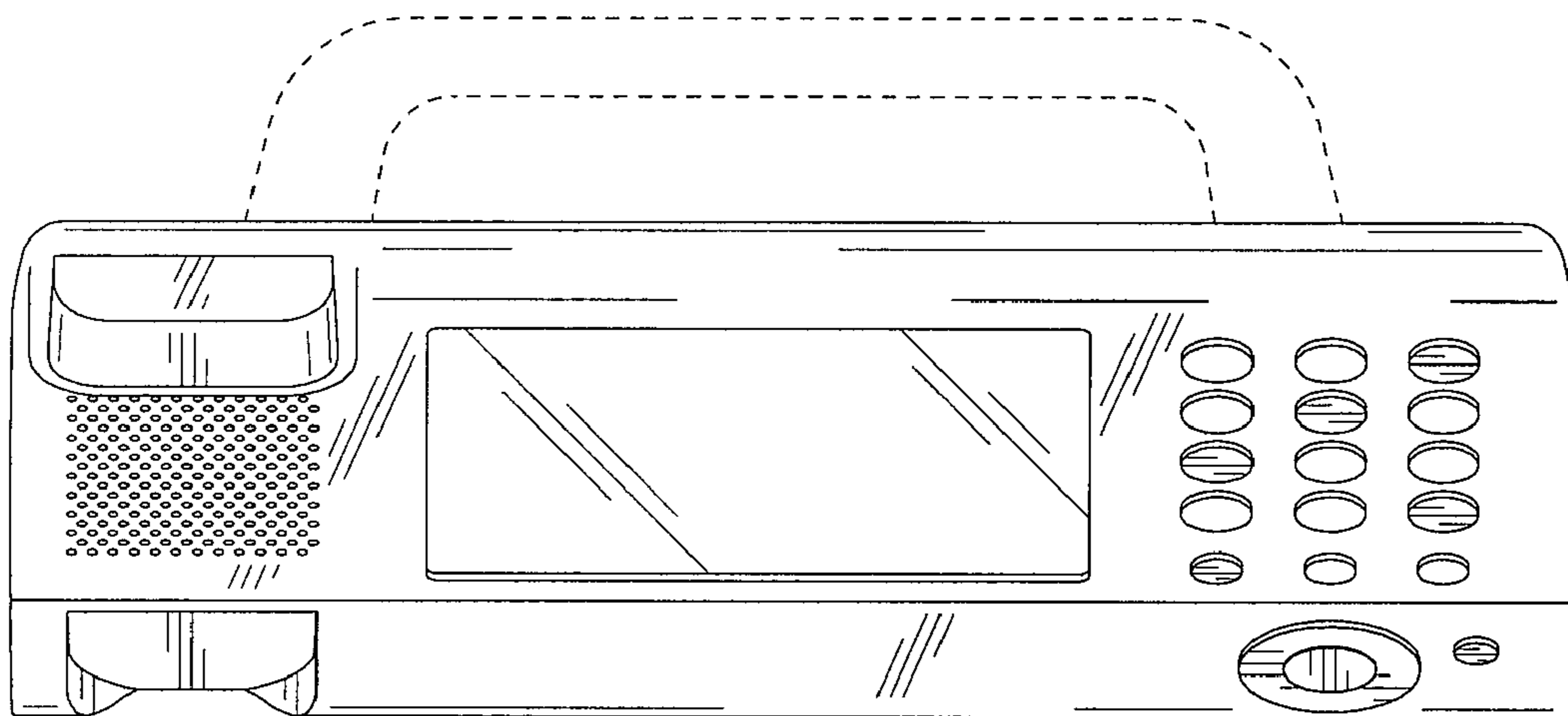


FIG.7

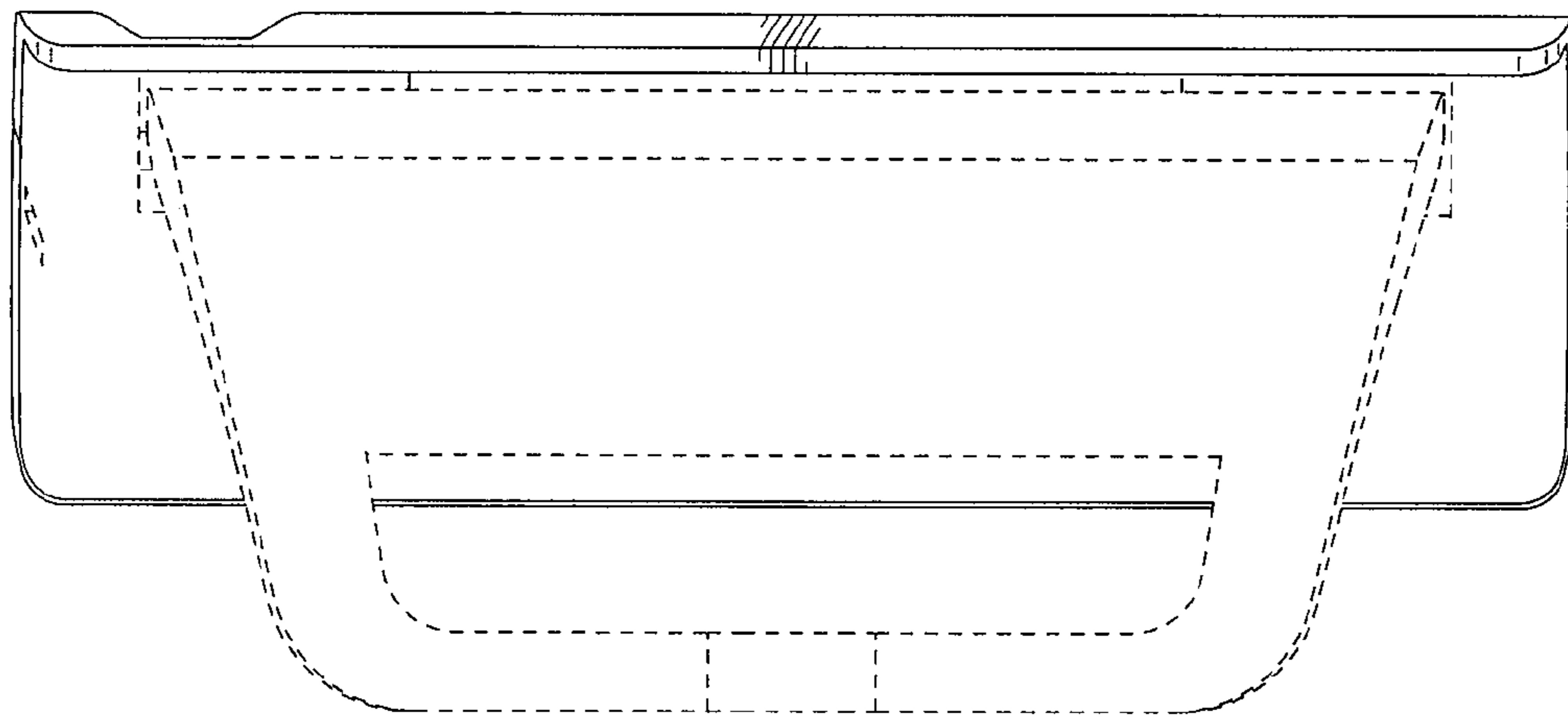


FIG.8

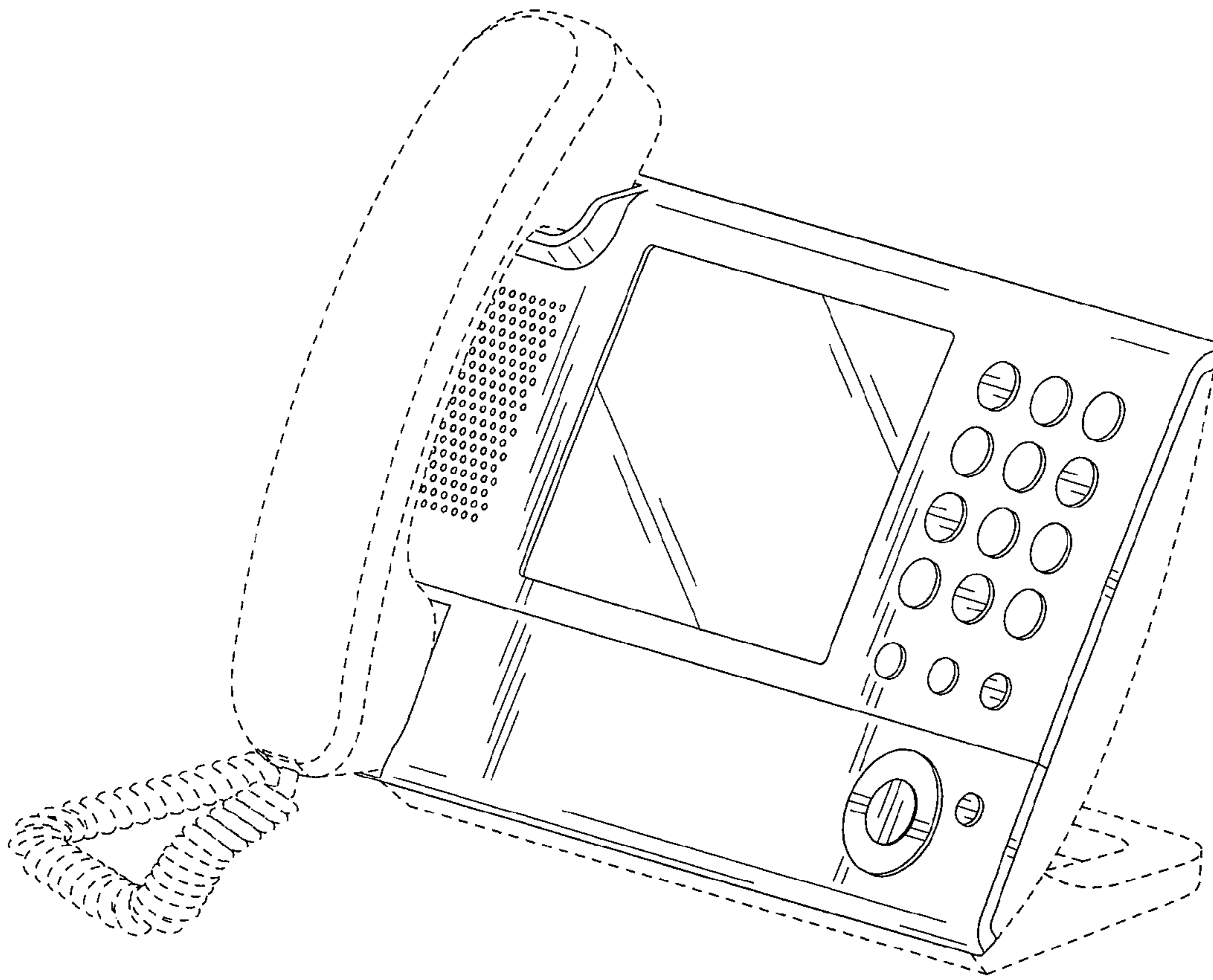


FIG. 9

