



US00D581894S

(12) **United States Design Patent**
Kim

(10) **Patent No.:** **US D581,894 S**
(45) **Date of Patent:** **** Dec. 2, 2008**

(54) **MOBILE PHONE**

(75) Inventor: **Tai Hong Kim**, Seoul (KR)

(73) Assignee: **LG Electronics Inc.**, Seoul (KR)

(**) Term: **14 Years**

(21) Appl. No.: **29/290,914**

(22) Filed: **Jan. 30, 2008**

(30) **Foreign Application Priority Data**

Aug. 9, 2007 (KR) 30-2007-0034239

(51) **LOC (8) Cl.** **14-03**

(52) **U.S. Cl.** **D14/138**

(58) **Field of Classification Search** D14/137,
D14/138, 147, 191, 218, 247-248, 341-347,
D14/496; D10/65, 78, 104; D13/168; D18/7;
455/556.1, 566, 575.1, 575.3; 345/169
See application file for complete search history.

(56) **References Cited**

U.S. PATENT DOCUMENTS

D337,569 S *	7/1993	Kando	D14/341
D464,961 S *	10/2002	Sogabe	D14/346
D488,468 S *	4/2004	Hu	D14/341
D519,998 S *	5/2006	Park	D14/346
D527,366 S *	8/2006	Lee	D14/138
D539,773 S *	4/2007	Kim et al.	D14/138
D543,174 S *	5/2007	Kim	D14/138
D548,713 S *	8/2007	Lee et al.	D14/138
D551,647 S *	9/2007	Kim et al.	D14/138
D552,580 S *	10/2007	Mun	D14/138
D553,596 S *	10/2007	Kim et al.	D14/138
D558,720 S *	1/2008	Lee et al.	D14/138
D560,193 S *	1/2008	Sung et al.	D14/138
D562,285 S *	2/2008	Lim	D14/138
D563,933 S *	3/2008	Lee et al.	D14/138
D568,286 S *	5/2008	Suk et al.	D14/138

D571,234 S *	6/2008	Reeson et al.	D10/65
D572,227 S *	7/2008	Yoon et al.	D14/138
2006/0166713 A1 *	7/2006	Yeh et al.	455/575.1
2008/0004085 A1 *	1/2008	Jung et al.	455/566
2008/0076480 A1 *	3/2008	Jeong et al.	455/566
2008/0096616 A1 *	4/2008	Choi	455/575.1
2008/0132288 A1 *	6/2008	Misawa	455/566

OTHER PUBLICATIONS

Eten P300, announced 2nd quarter 2004, [online], [retrieved on Dec. 13, 2007]. Retrieved from Internet ,<URL: <http://www.gsmarena.com>>.*

(Continued)

Primary Examiner—Jeffrey D. Asch

Assistant Examiner—Bridget L Eland

(74) *Attorney, Agent, or Firm*—Morgan Lewis & Bockius LLP

(57) **CLAIM**

The ornamental design for a mobile phone, as shown and described.

DESCRIPTION

FIG. 1 is a perspective view of a mobile phone showing my new design;

FIG. 2 is a front view thereof;

FIG. 3 is a rear view thereof;

FIG. 4 is a left side view thereof;

FIG. 5 is a right side view thereof;

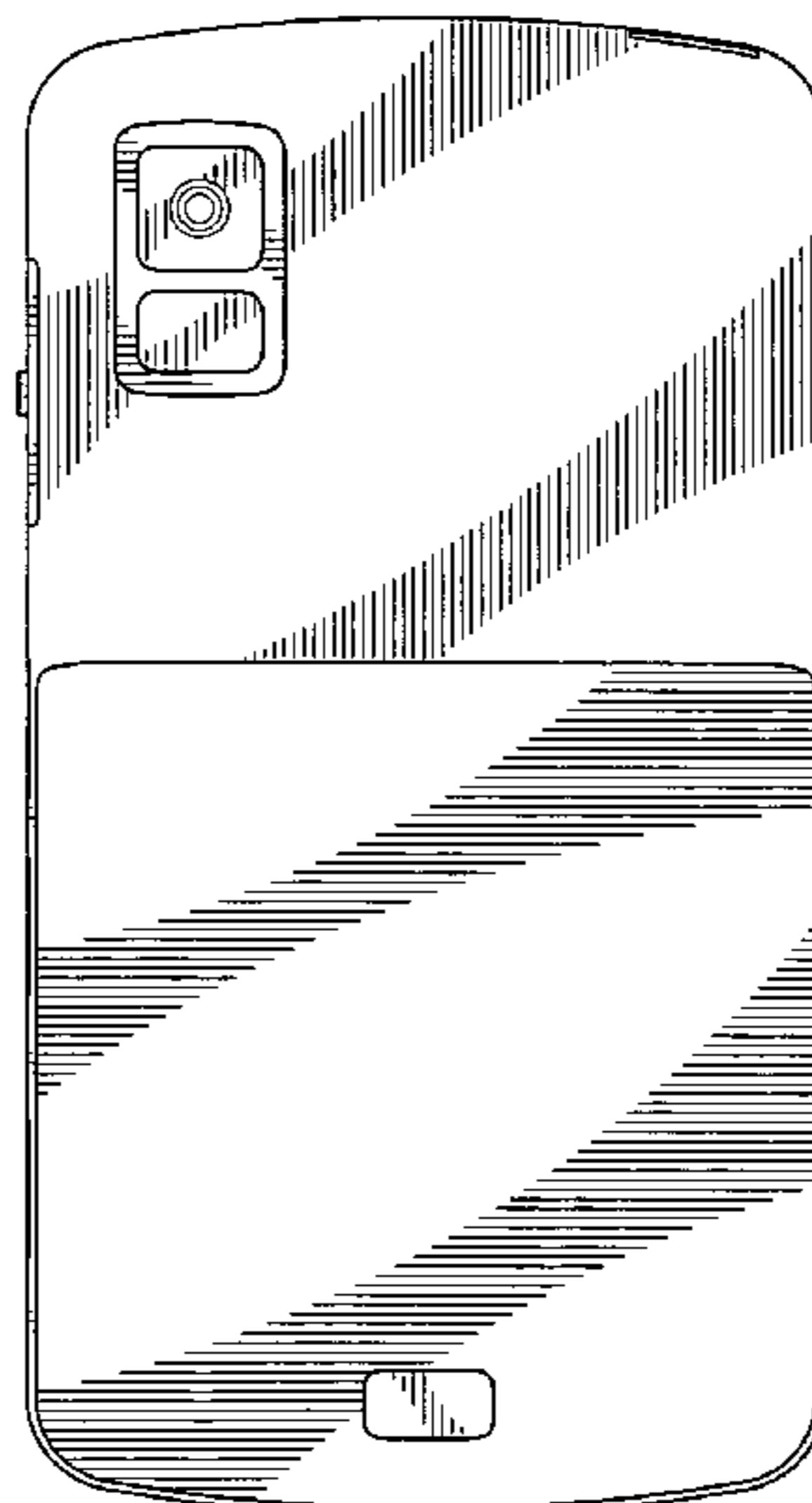
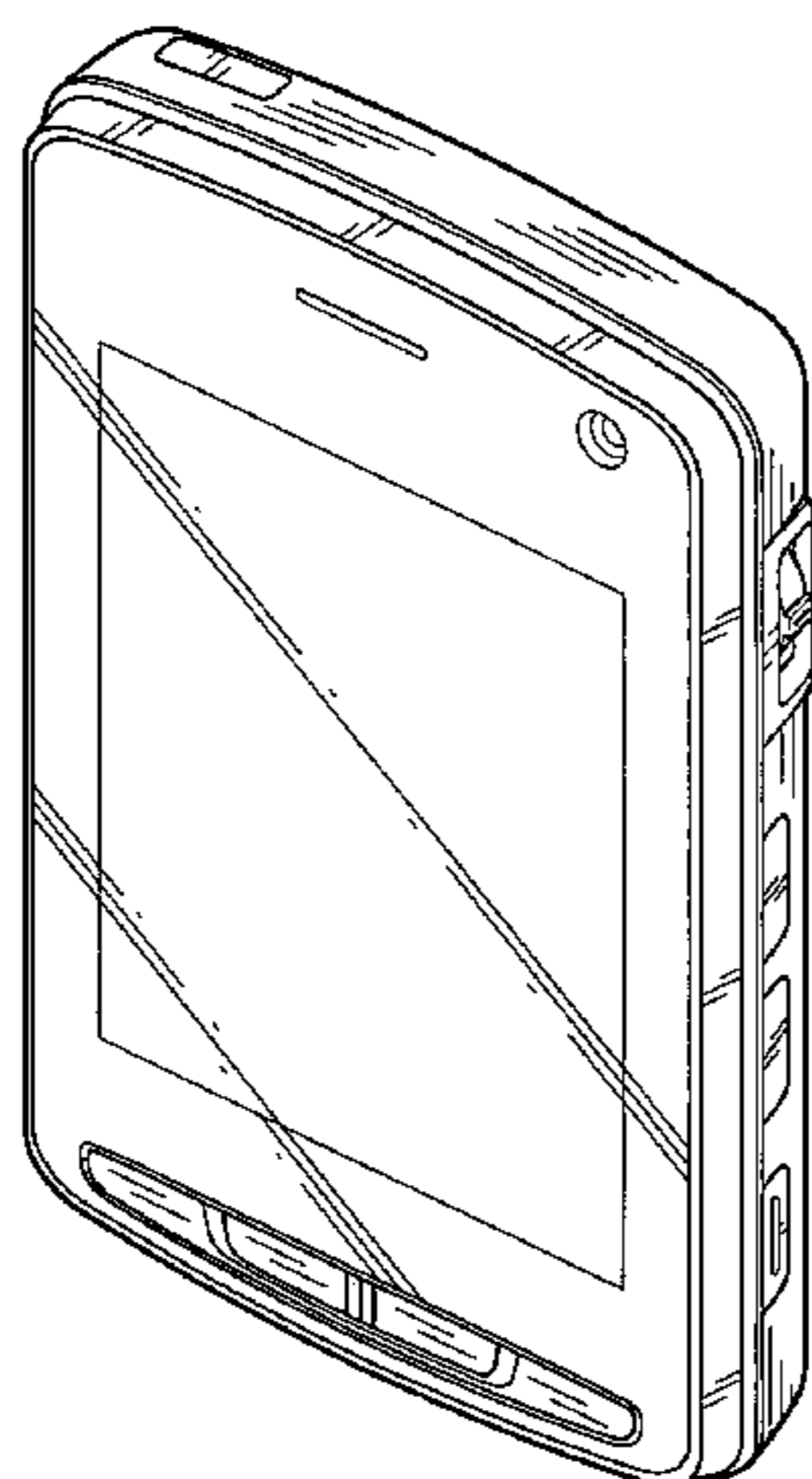
FIG. 6 is a top plan view thereof;

FIG. 7 is a bottom plan view thereof;

FIG. 8 is a front view thereof showing a state of operation; and,

FIG. 9 is a front view thereof showing another state of operation.

1 Claim, 8 Drawing Sheets



OTHER PUBLICATIONS

LG KU970, Shine, announced Feb. 2007, [online], [retrieved on Feb. 20, 2007]. Retrieved from Internet ,<URL: <http://www.gsmarena.com>>.*

LG KU990 Viewty, announced Aug. 2007, [online], [retrieved on Sep. 15, 2007]. Retrieved from Internet ,<URL: <http://www.gsmarena.com>>.*

LG CU915 Vu, announced Mar. 2008, [online], [retrieved on May 14, 2008]. Retrieved from Internet ,<URL: <http://www.gsmarena.com>>.*

Philips X800, announced May 2008, [online], [retrieved on May 14, 2008]. Retrieved from Internet ,<URL: <http://www.gsmarena.com>>.*

Samsung F520, announced Feb. 2007, [online], [retrieved on Feb. 16, 2007]. Retrieved from Internet ,<URL: <http://www.gsmarena.com>>.*

Samsung F480, announced Feb. 2008, [online], [retrieved on Mar. 21, 2008]. Retrieved from Internet ,<URL: <http://www.gsmarena.com>>.*

* cited by examiner

FIG. 1

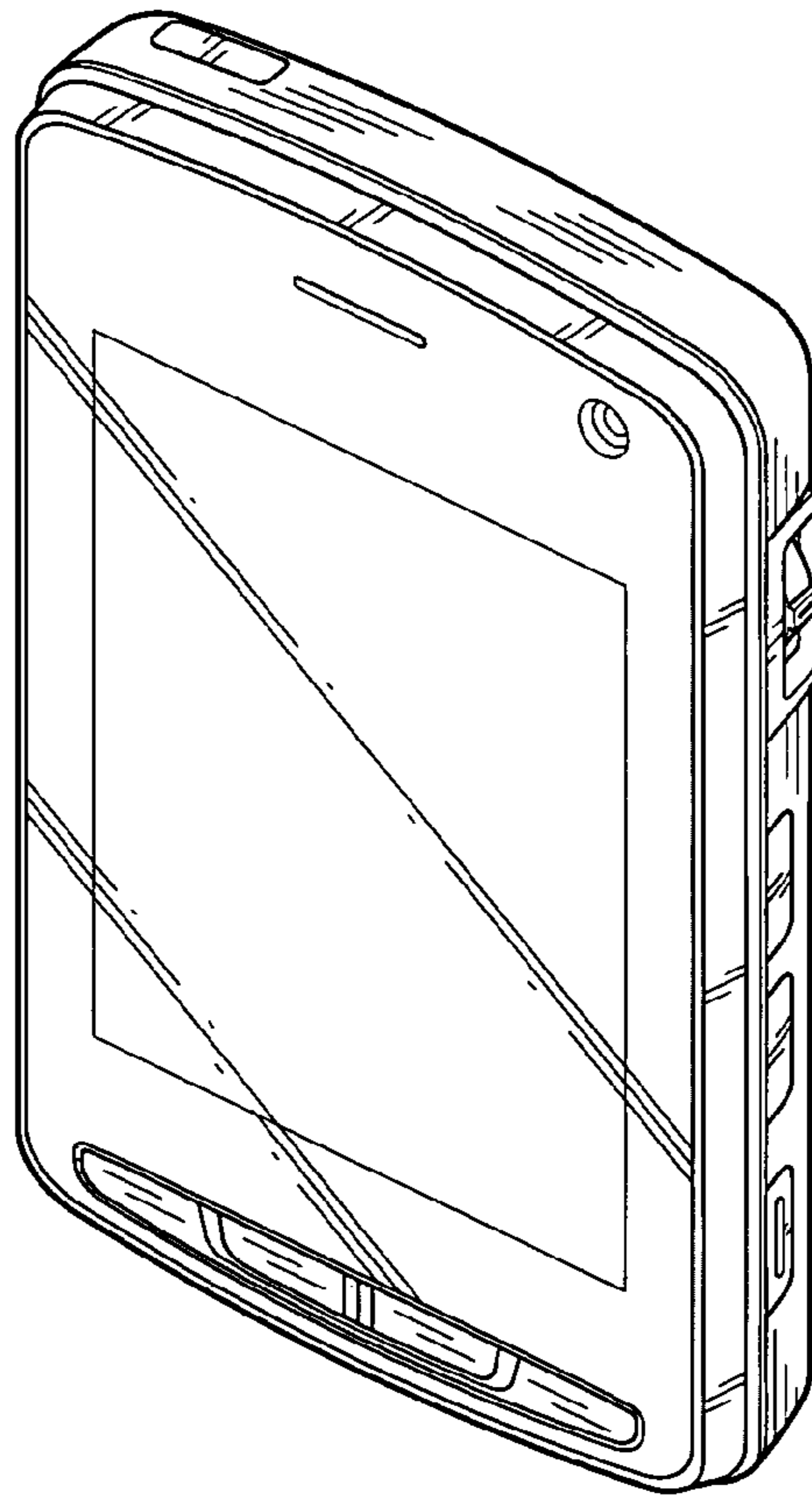


FIG. 2

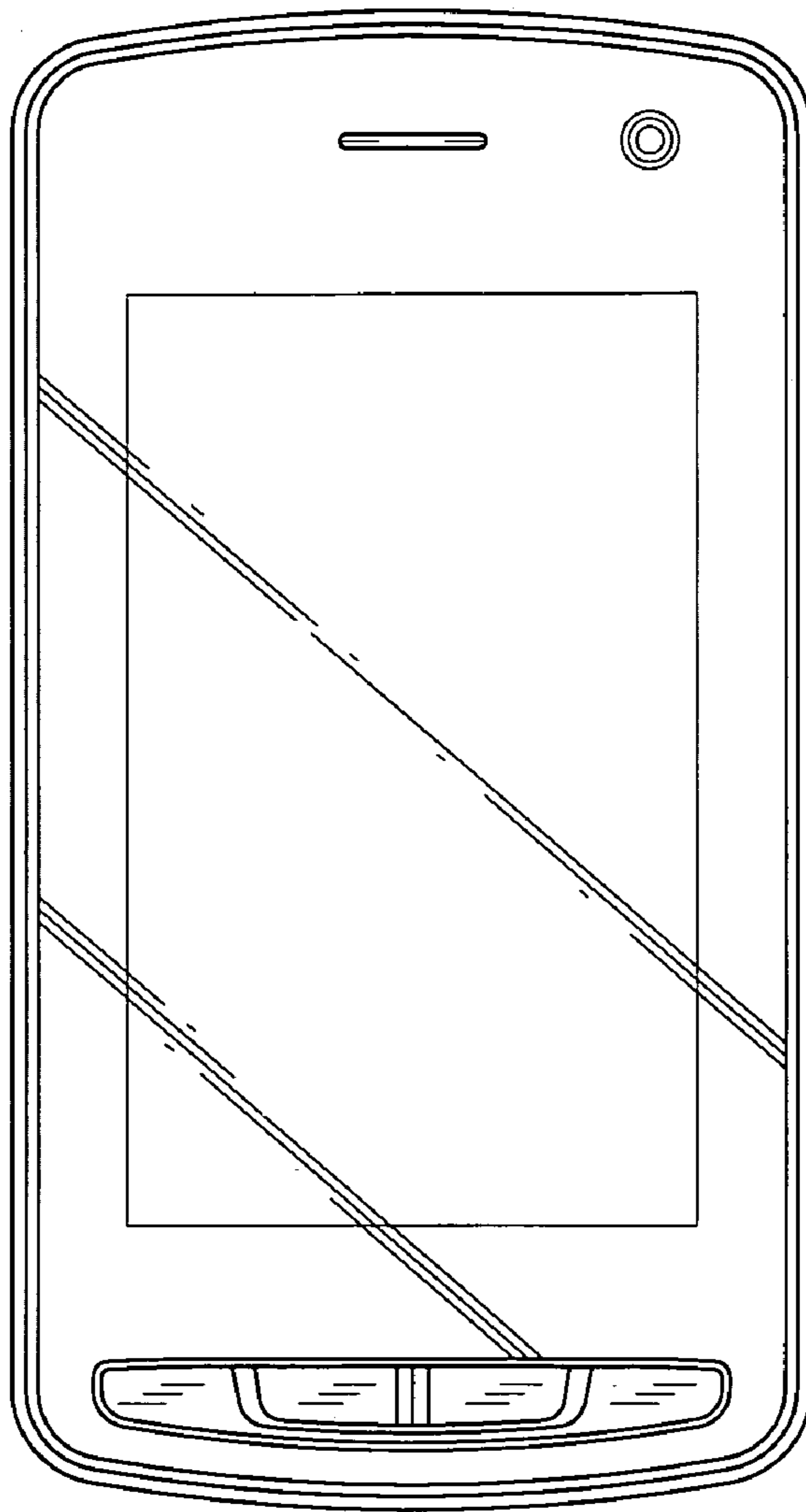


FIG. 3

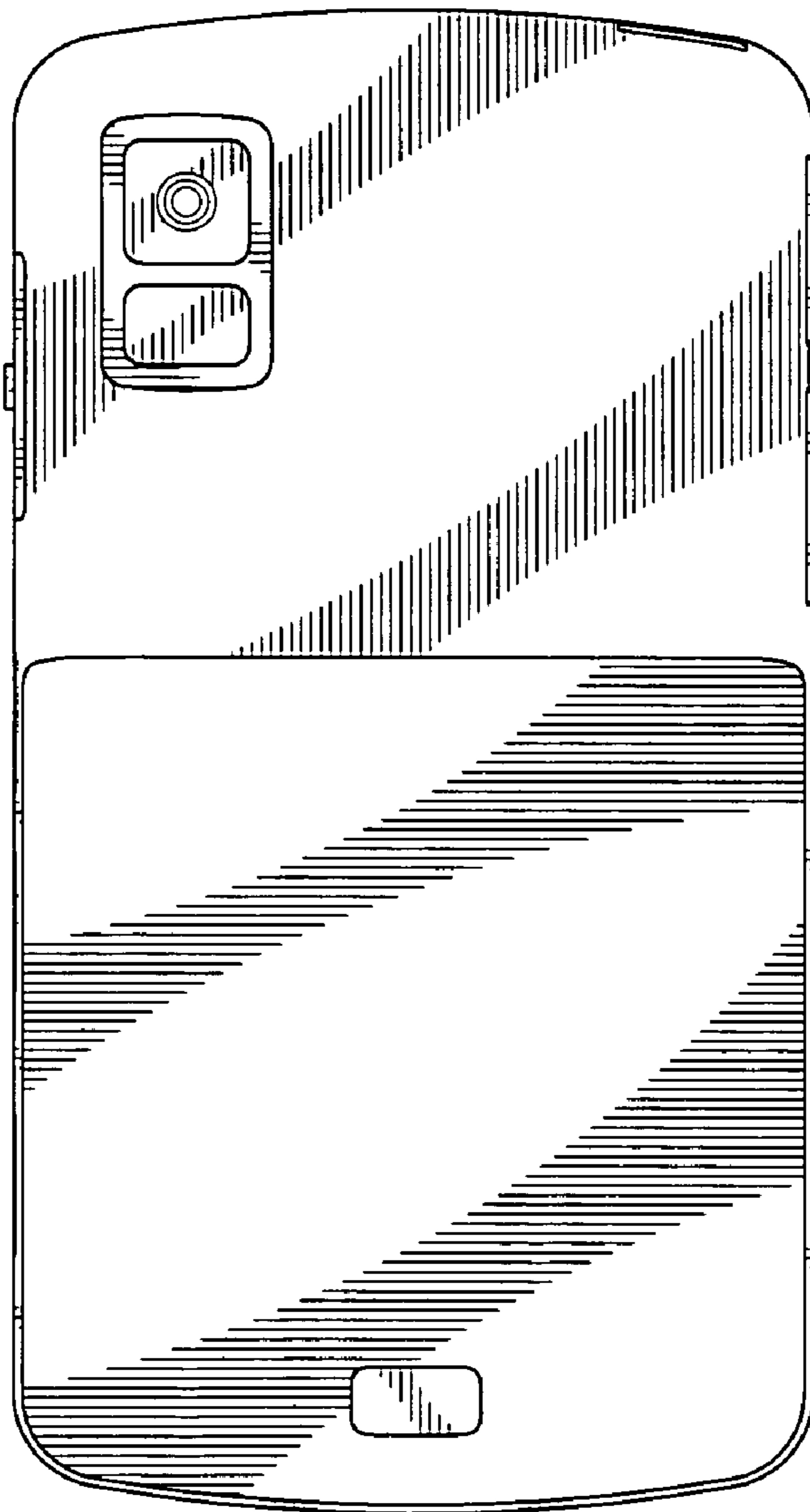


FIG. 4

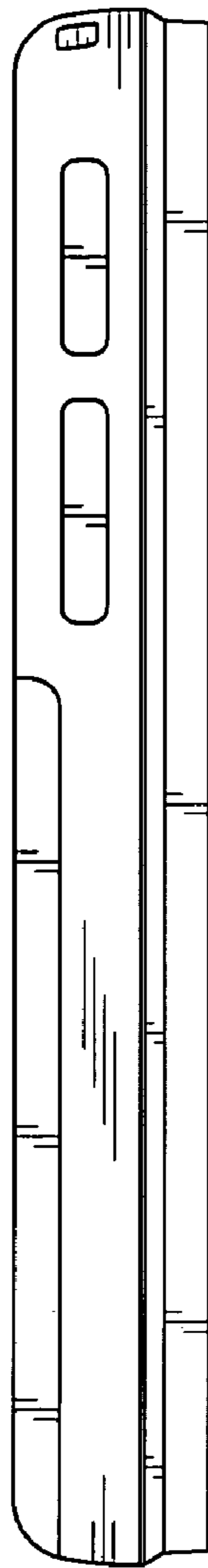


FIG. 5

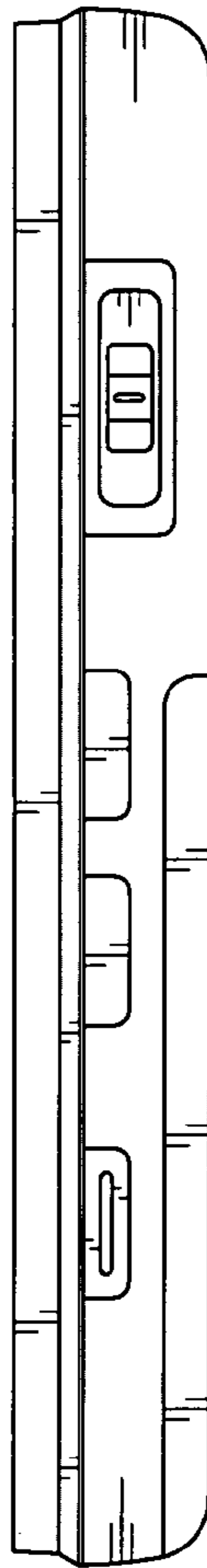


FIG. 6

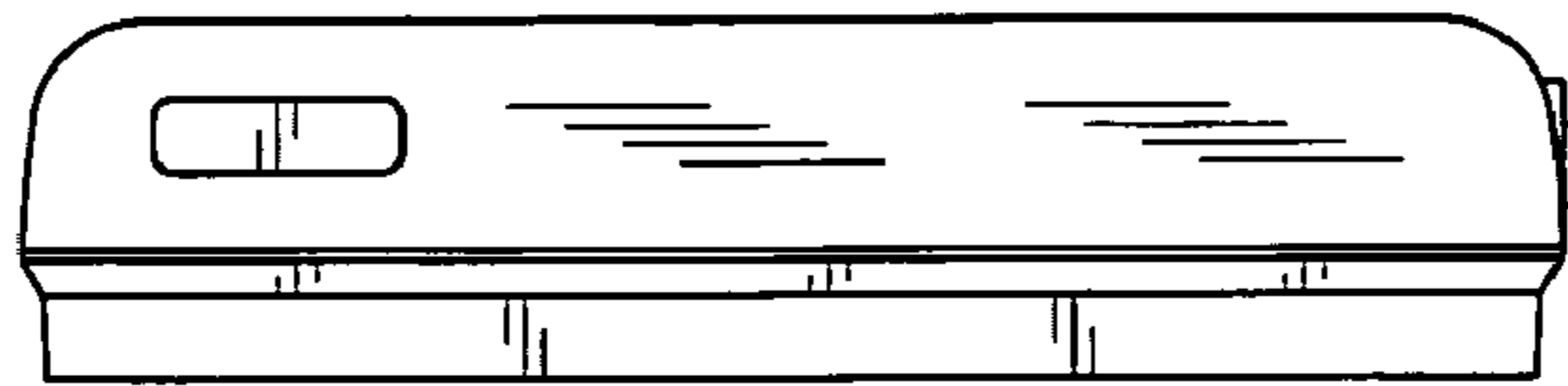


FIG. 7

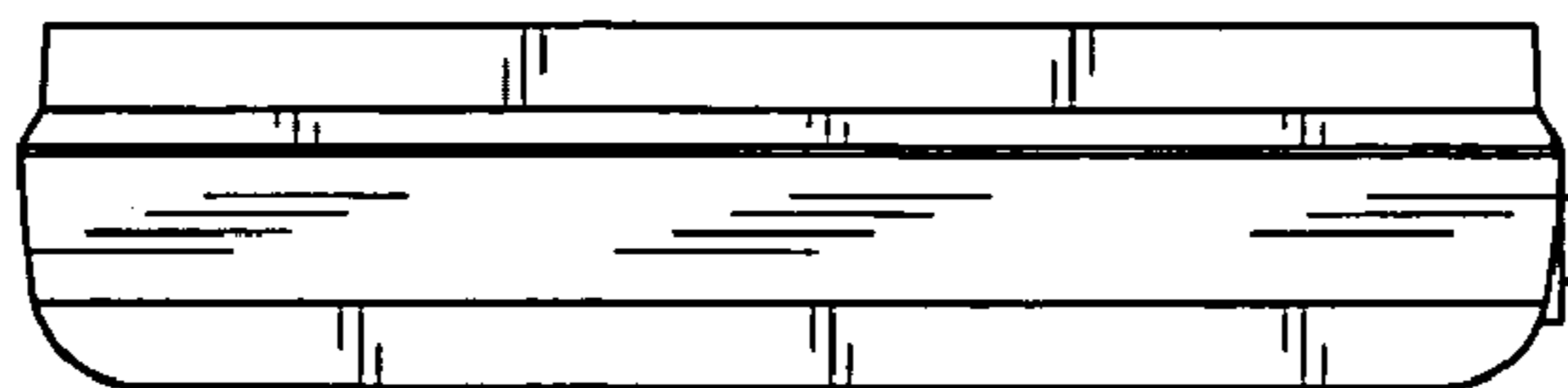


FIG. 8

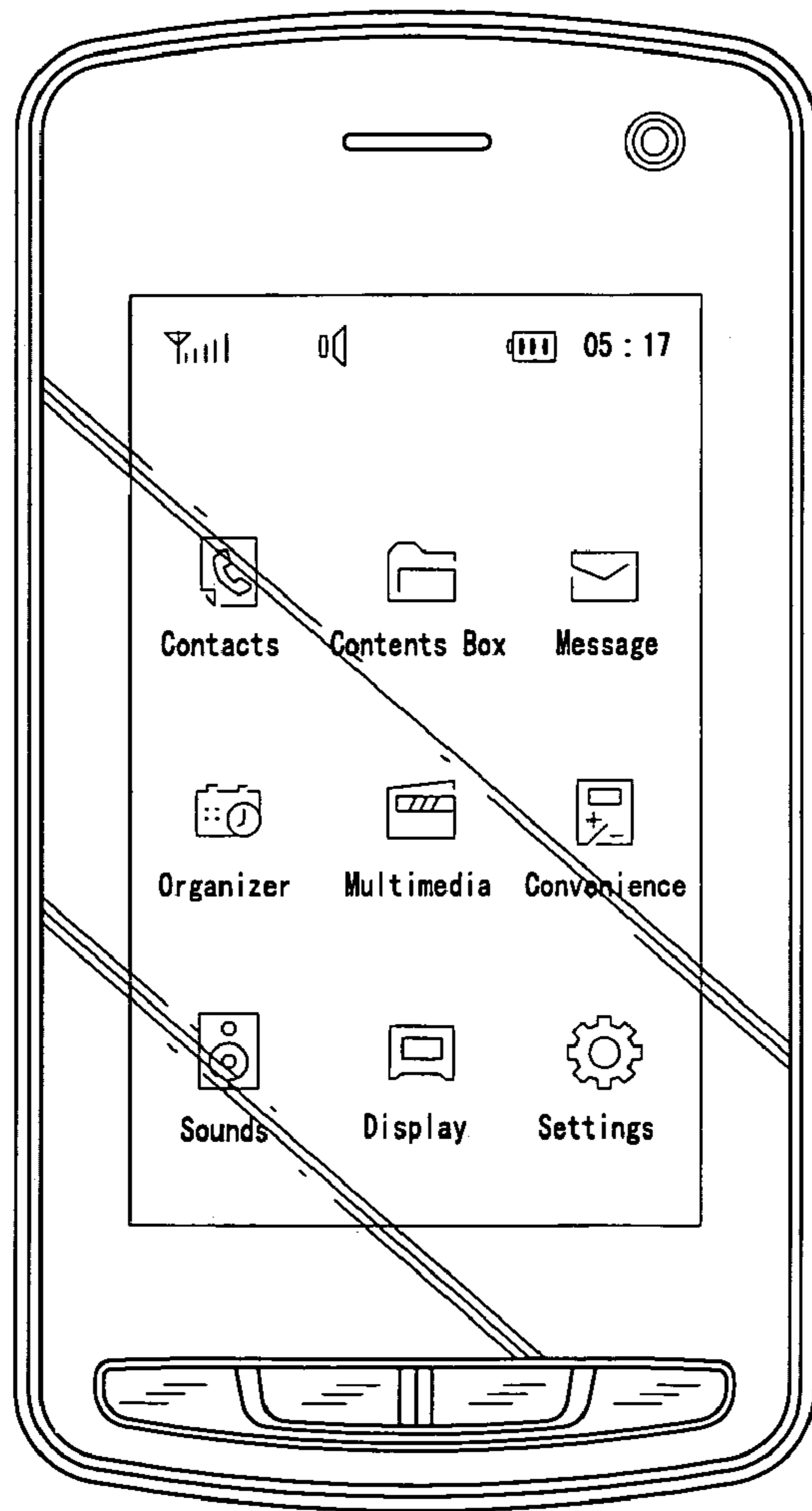


FIG. 9

