



US00D581890S

(12) **United States Design Patent**
Koh et al.

(10) **Patent No.:** **US D581,890 S**
(45) **Date of Patent:** **** Dec. 2, 2008**

(54) **PORTABLE TELEPHONE**

(75) Inventors: **Min-Ah Koh**, Seoul (KR); **Min-Hyoun Lee**, Seoul (KR); **Chang-Hwan Hwang**, Kyonggi-do (KR)

(73) Assignee: **Samsung Electronics Co., Ltd.**, Kyunggi-do (KR)

(**) Term: **14 Years**

(21) Appl. No.: **29/272,204**

(22) Filed: **Feb. 2, 2007**

(51) **LOC (8) Cl.** **14-03**

(52) **U.S. Cl.** **D14/138**

(58) **Field of Classification Search** D14/138,
D14/496, 341-347; 455/575.3, 575.1
See application file for complete search history.

(56) **References Cited**

U.S. PATENT DOCUMENTS

D465,466 S	11/2002	Hyun	
D486,462 S *	2/2004	Lim	D14/138
D501,658 S	2/2005	Park et al.	
D501,839 S *	2/2005	Lee et al.	D14/138
D506,454 S	6/2005	Kim et al.	
D507,252 S	7/2005	Kim et al.	
D508,035 S	8/2005	Kim et al.	
D508,475 S *	8/2005	Wu et al.	D14/138
D508,684 S	8/2005	Lee et al.	
D510,733 S	10/2005	Lee et al.	
D512,039 S	11/2005	Kim et al.	
D512,040 S	11/2005	Kim et al.	
D512,394 S	12/2005	Kim et al.	
D512,975 S *	12/2005	Tsai et al.	D14/138
D519,098 S	4/2006	Han et al.	
D535,962 S	1/2007	Yun et al.	
D535,964 S	1/2007	Baik et al.	
D535,965 S *	1/2007	Baik et al.	D14/138
D536,322 S	2/2007	Kim et al.	
D538,771 S *	3/2007	Bower	D14/138
D549,199 S *	8/2007	Sugiura	D14/138

D557,230 S *	12/2007	Kim et al.	D14/138
D558,723 S *	1/2008	Lee et al.	D14/138
D561,150 S *	2/2008	Kim et al.	D14/138

(Continued)

OTHER PUBLICATIONS

Samsung ZV60 telephone, announced Jul. 2007, [online], [site visited Jul. 7, 2008]. Available from Internet, <URL: <http://www.gsmarena.com>>.*

Samsung Z300 telephone, announced 1st quarter 2005, [online], [site visited Jul. 7, 2008]. Available from Internet, <URL: <http://www.gsmarena.com>>.*

Samsung E300 telephone, announced 1st quarter 2004, [online], [site visited Jul. 7, 2008]. Available from Internet, <URL: <http://www.gsmarena.com>>.*

LG KG120 telephone, announced Oct. 2006, [online], [site visited Jul. 7, 2008]. Available from Internet, <URL: <http://www.gsmarena.com>>.*

Haier Z7000 telephone, announced 2004, [online], [site visited Jul. 7, 2008]. Available from Internet, <URL: <http://www.gsmarena.com>>.*

Primary Examiner—Jeffrey D Asch

(74) *Attorney, Agent, or Firm*—Flynn, Thiel, Boutell & Tanis, P.C.

(57) **CLAIM**

The ornamental design for a portable telephone, as shown and described.

DESCRIPTION

FIG. 1 is a top front perspective view of a portable telephone showing our new design;

FIG. 2 is a front elevational view thereof;

FIG. 3 is a rear elevational view thereof;

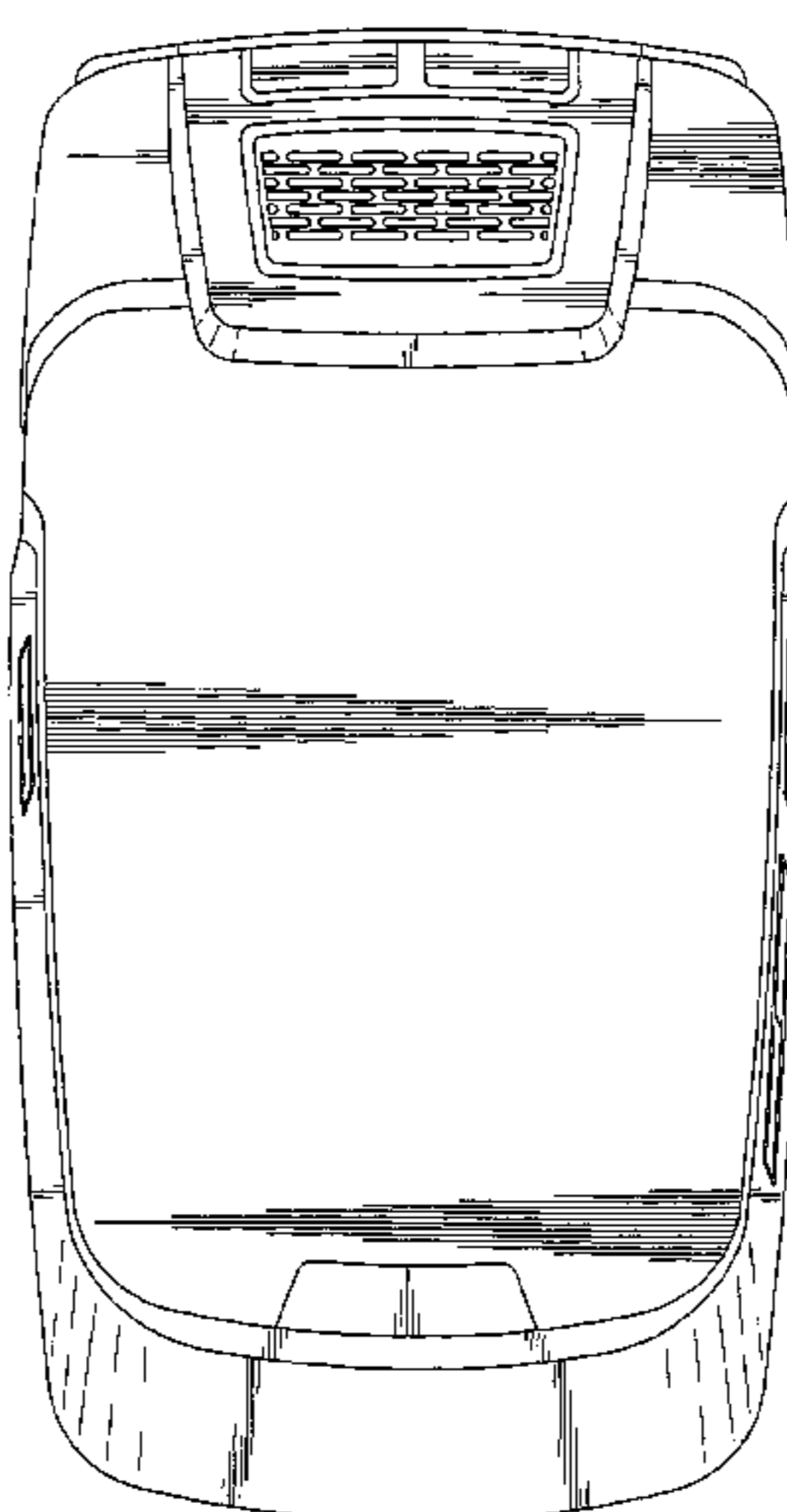
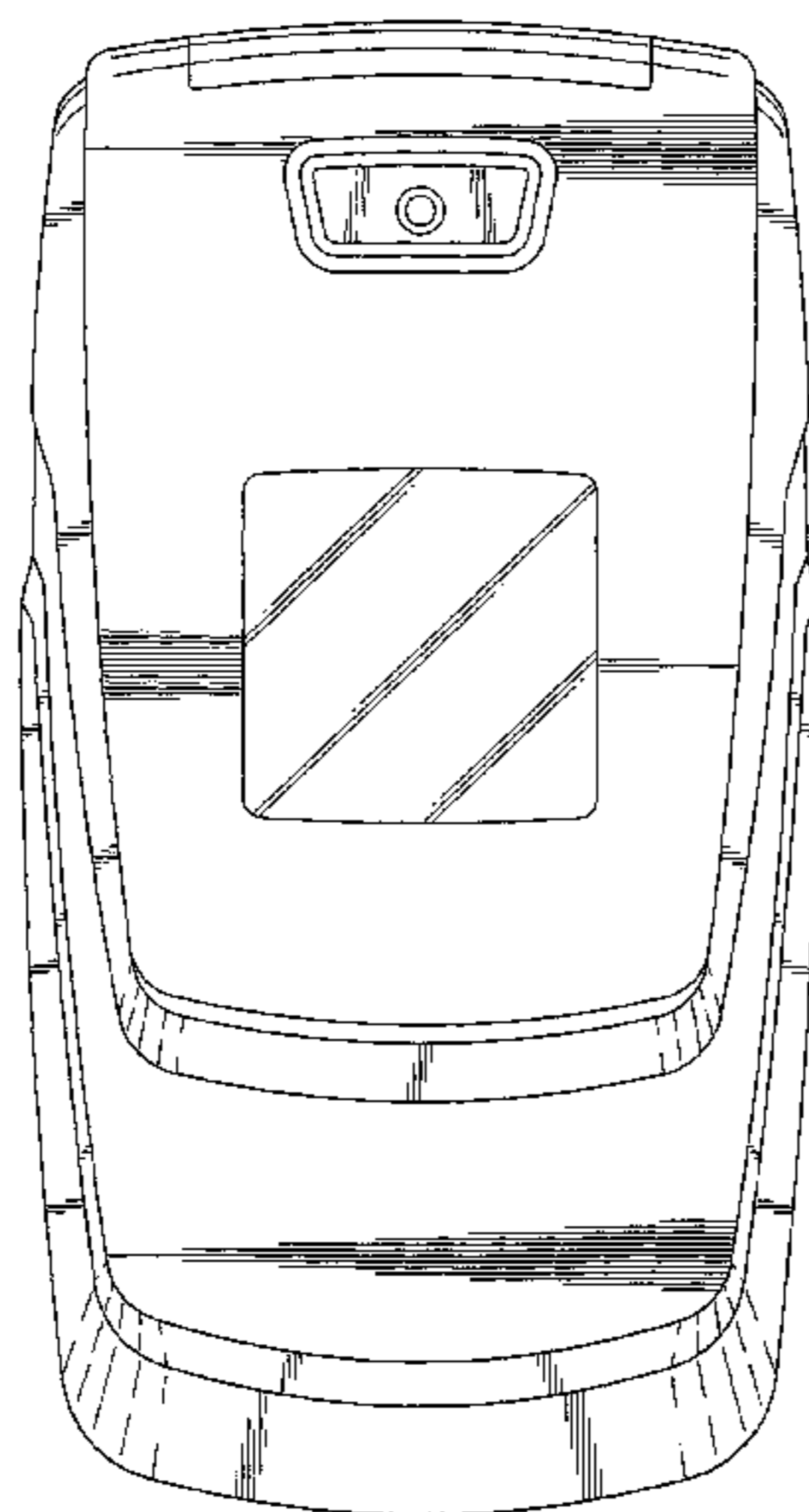
FIG. 4 is a left side elevational view thereof;

FIG. 5 is a right side elevational view thereof;

FIG. 6 is a top plan view thereof; and,

FIG. 7 is a bottom plan view thereof.

1 Claim, 5 Drawing Sheets



US D581,890 S

Page 2

U.S. PATENT DOCUMENTS

D563,927 S *	3/2008	Kim et al.	D14/138	D571,340 S *	6/2008	Song et al.	D14/138
D563,930 S *	3/2008	Kim et al.	D14/138	D571,342 S *	6/2008	Cho et al.	D14/138
D565,008 S *	3/2008	Han et al.	D14/138	D572,225 S *	7/2008	Choi et al.	D14/138
D565,009 S *	3/2008	Kim et al.	D14/138	D572,686 S *	7/2008	Kim et al.	D14/138
D567,796 S *	4/2008	Jeong et al.	D14/138	D572,689 S *	7/2008	Park et al.	D14/138
D569,359 S *	5/2008	Park et al.	D14/138	D572,690 S *	7/2008	Kim et al.	D14/138
D571,328 S *	6/2008	Park et al.	D14/138	2007/0049357 A1 *	3/2007	Daimon et al.	455/575.1

* cited by examiner

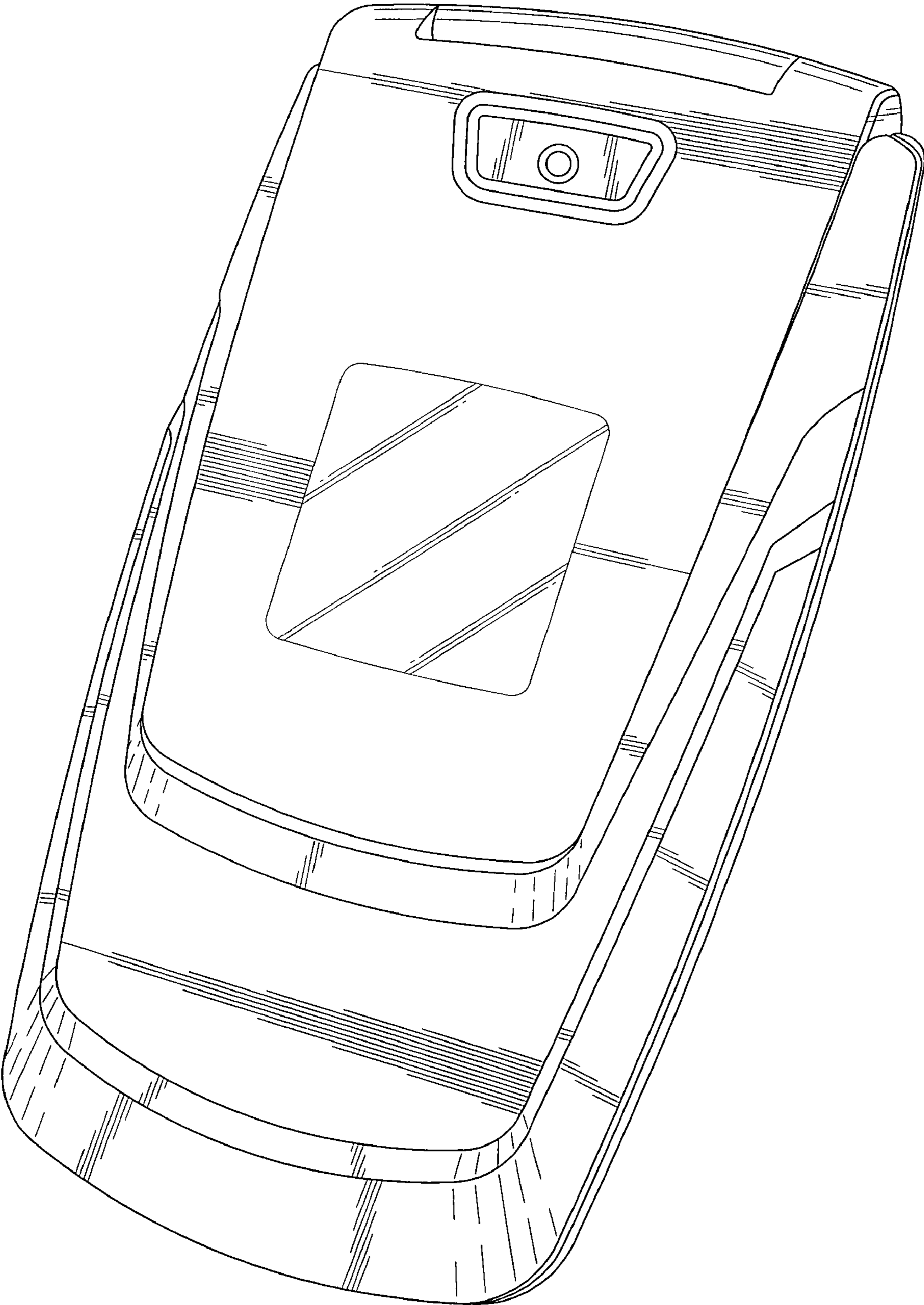


FIG. 1

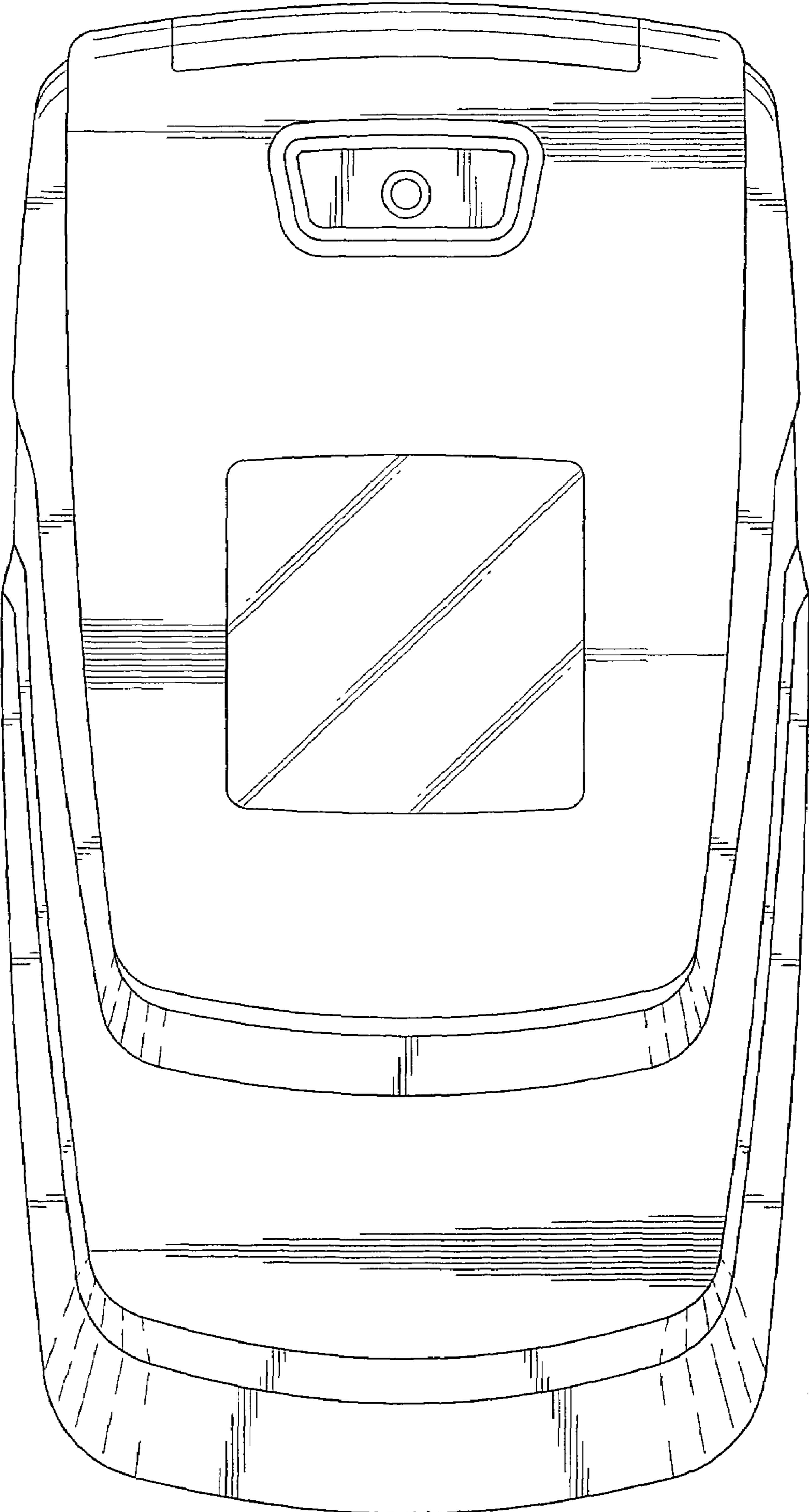


FIG. 2

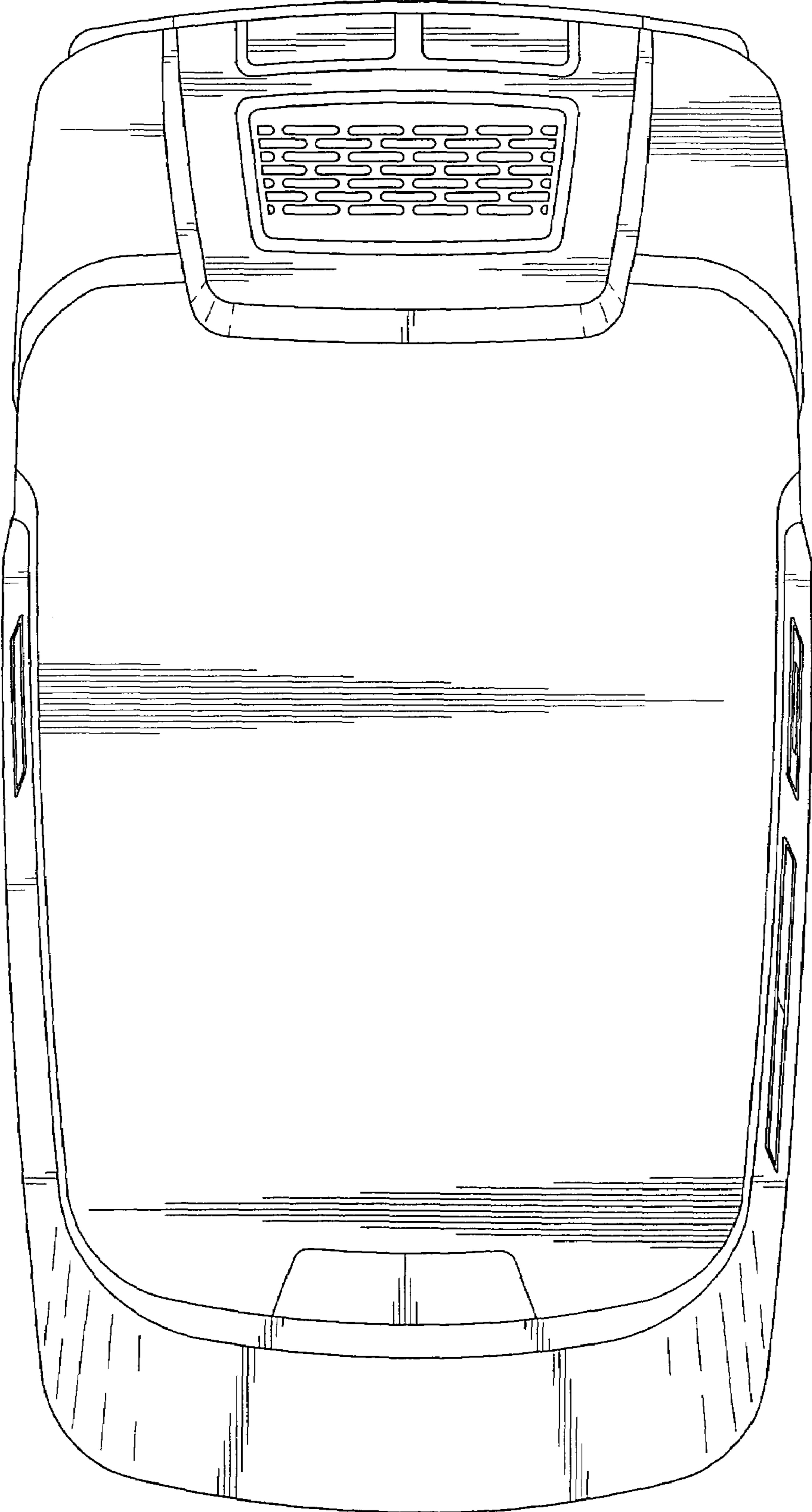


FIG. 3

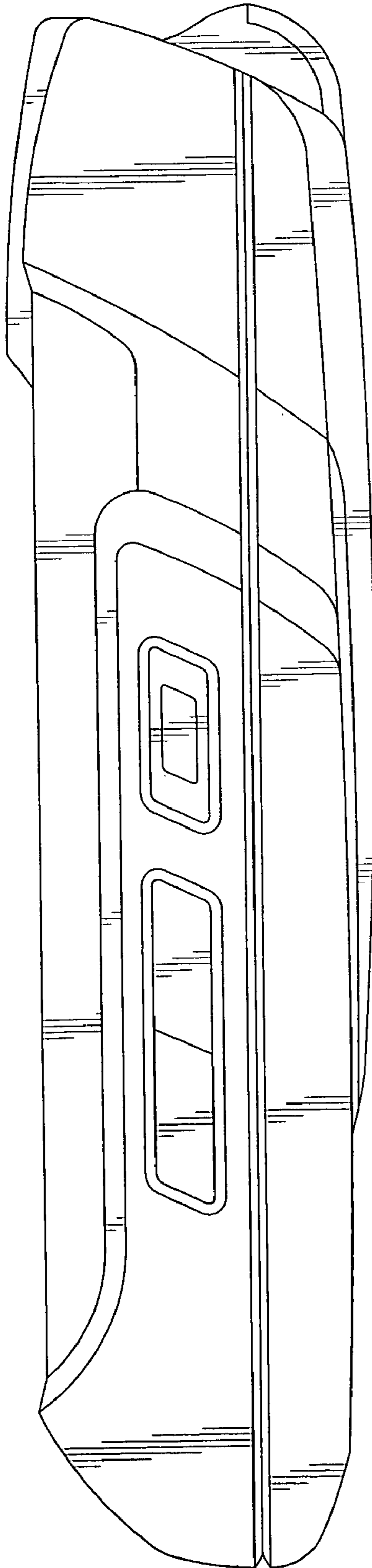


FIG. 4

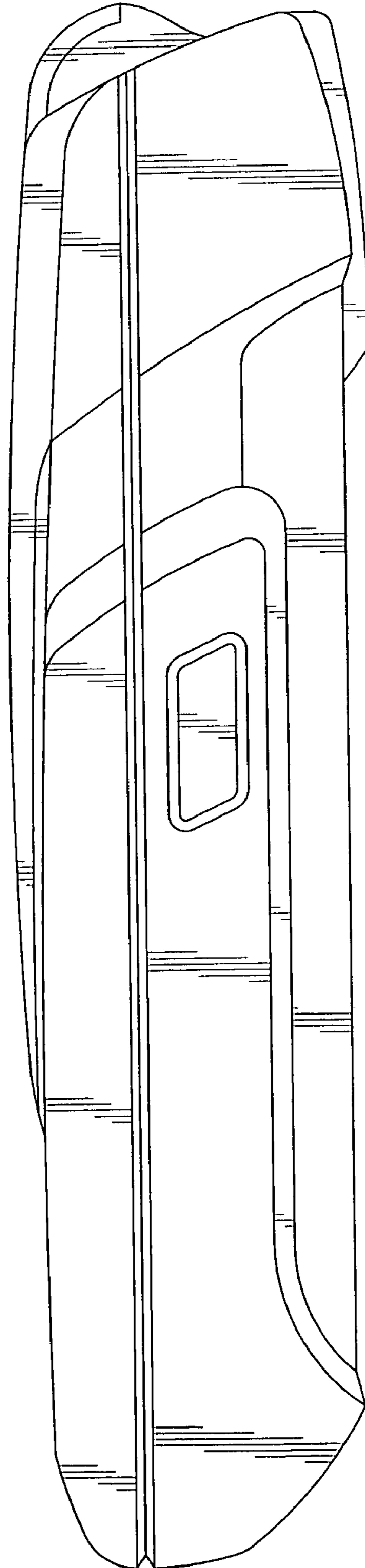


FIG. 5

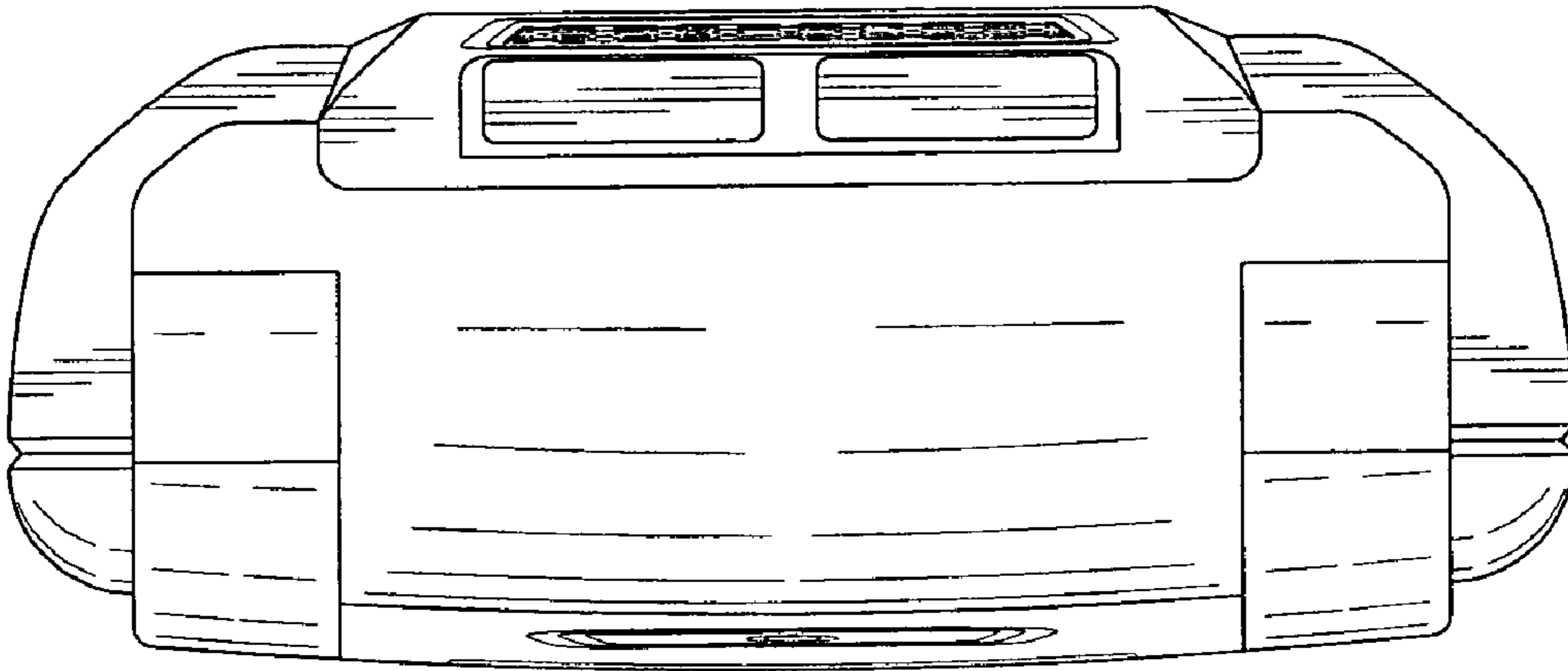


FIG. 6

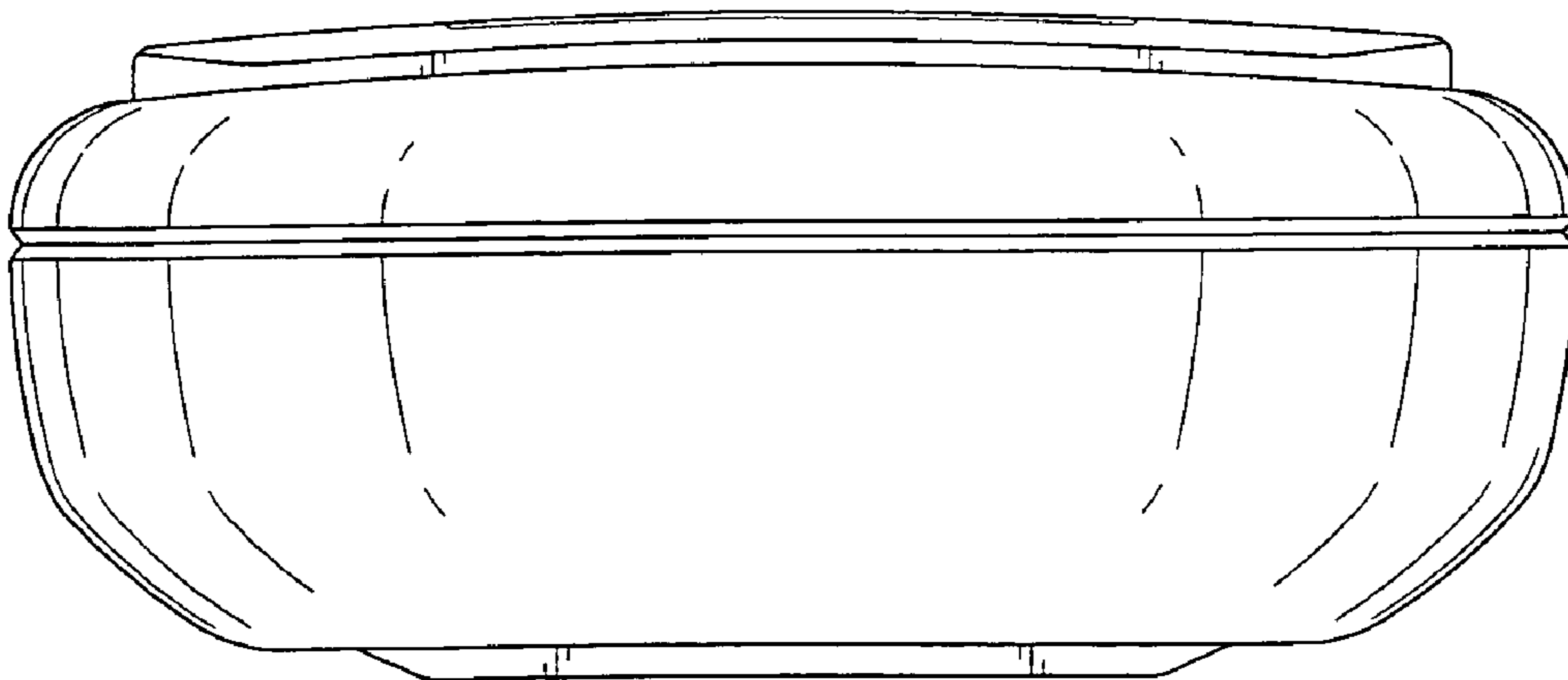


FIG. 7