

US00D581886S

(12) **United States Design Patent**  
**Shida et al.**

(10) **Patent No.:** **US D581,886 S**  
(45) **Date of Patent:** **\*\* Dec. 2, 2008**

(54) **LIGHT SOURCE OF LIGHT EMITTING DIODE**

(75) Inventors: **Satoshi Shida**, Kadoma (JP); **Nobuyuki Matsui**, Kadoma (JP); **Yoshihiko Kanayama**, Kadoma (JP); **Makoto Morikawa**, Kadoma (JP)

(73) Assignee: **Panasonic Corporation**, Osaka (JP)

(\*\*) Term: **14 Years**

(21) Appl. No.: **29/320,730**

(22) Filed: **Jul. 2, 2008**

**Related U.S. Application Data**

(62) Division of application No. 29/296,867, filed on Oct. 30, 2007.

(30) **Foreign Application Priority Data**

May 25, 2007 (JP) ..... 2007-13847  
May 25, 2007 (JP) ..... 2007-13848

(51) **LOC (8) Cl.** ..... **13-03**

(52) **U.S. Cl.** ..... **D13/180**

(58) **Field of Classification Search** ..... D13/180;  
D26/2, 24; 257/79, 80, 81, 88, 89, 95, 98,  
257/99, 100; 313/483, 498, 500; 362/555,  
362/800

See application file for complete search history.

(56) **References Cited**

**U.S. PATENT DOCUMENTS**

5,722,760 A \* 3/1998 Chien ..... 362/84  
6,641,283 B1 \* 11/2003 Bohler ..... 362/238  
D515,043 S \* 2/2006 Ishizaka et al. .... D13/180  
D522,975 S \* 6/2006 Egawa et al. .... D13/180

D528,672 S \* 9/2006 Nagai et al. .... D26/1  
D528,996 S \* 9/2006 Egawa ..... D13/180  
D541,761 S \* 5/2007 Saito et al. .... D13/180  
2002/0141177 A1 \* 10/2002 Stekelenburg ..... 362/84  
2004/0136197 A1 \* 7/2004 Ishida ..... 362/487  
2004/0196663 A1 \* 10/2004 Ishida et al. .... 362/539  
2004/0201987 A1 \* 10/2004 Omata ..... 362/230  
2004/0222426 A1 \* 11/2004 Hsiung ..... 257/79  
2007/0018295 A1 \* 1/2007 Kim et al. .... 257/678

**FOREIGN PATENT DOCUMENTS**

JP D1235308 4/2005

**OTHER PUBLICATIONS**

Shida et al., U.S. Design Patent Application entitled "Light Source of Light Emitting Diode", U.S. Appl. No. 29/296,870, filed Oct. 30, 2007.

\* cited by examiner

*Primary Examiner*—Selina Sikder

(74) *Attorney, Agent, or Firm*—Brinks Hofer Gilson & Lione

(57) **CLAIM**

We claim the ornamental design for a light source of light emitting diode, as shown and described.

**DESCRIPTION**

FIG. 1 is a front perspective view of a light source of light emitting diode of the present invention;

FIG. 2 is a front view thereof;

FIG. 3 is a rear view thereof;

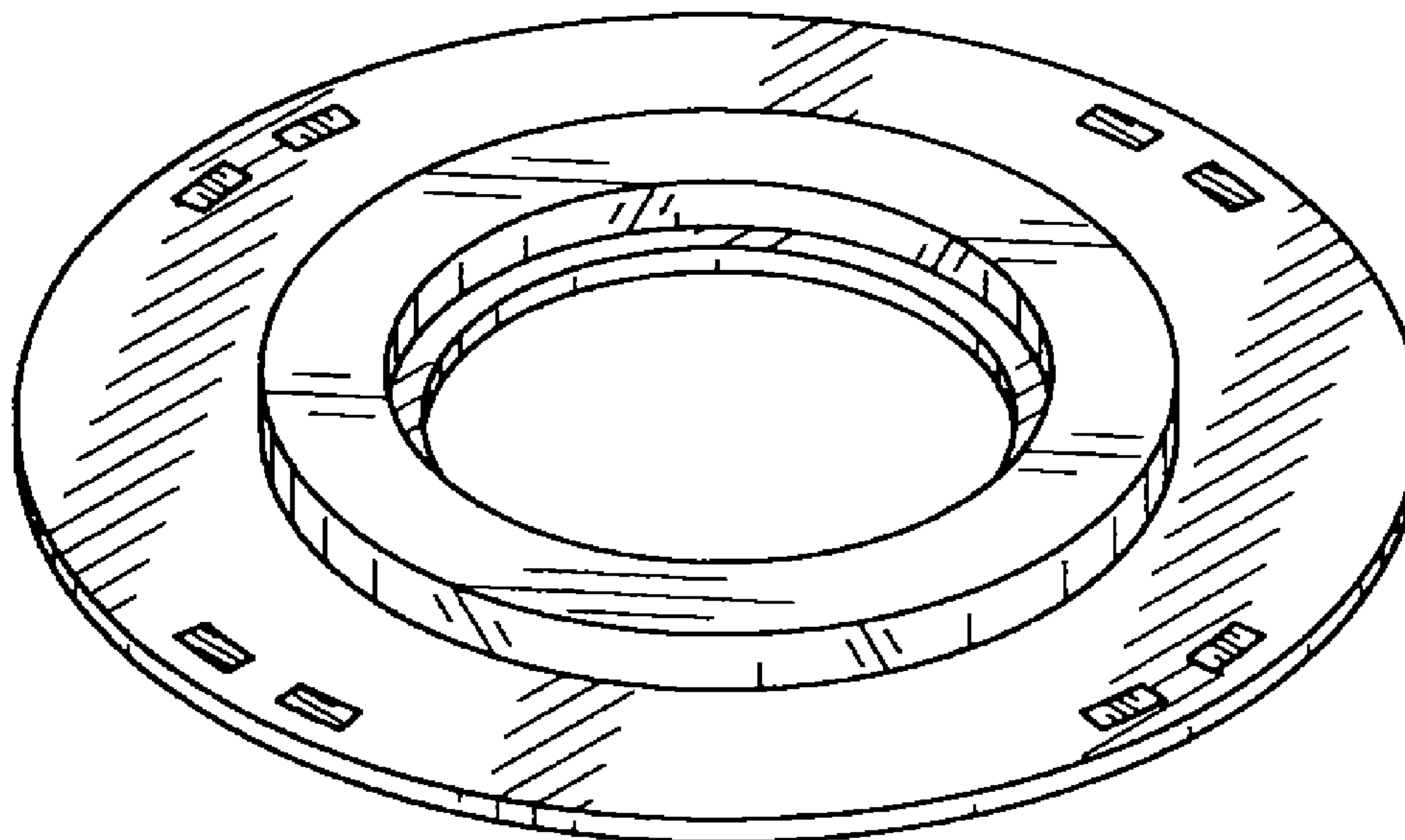
FIG. 4 is a first side view thereof;

FIG. 5 is a second side view thereof;

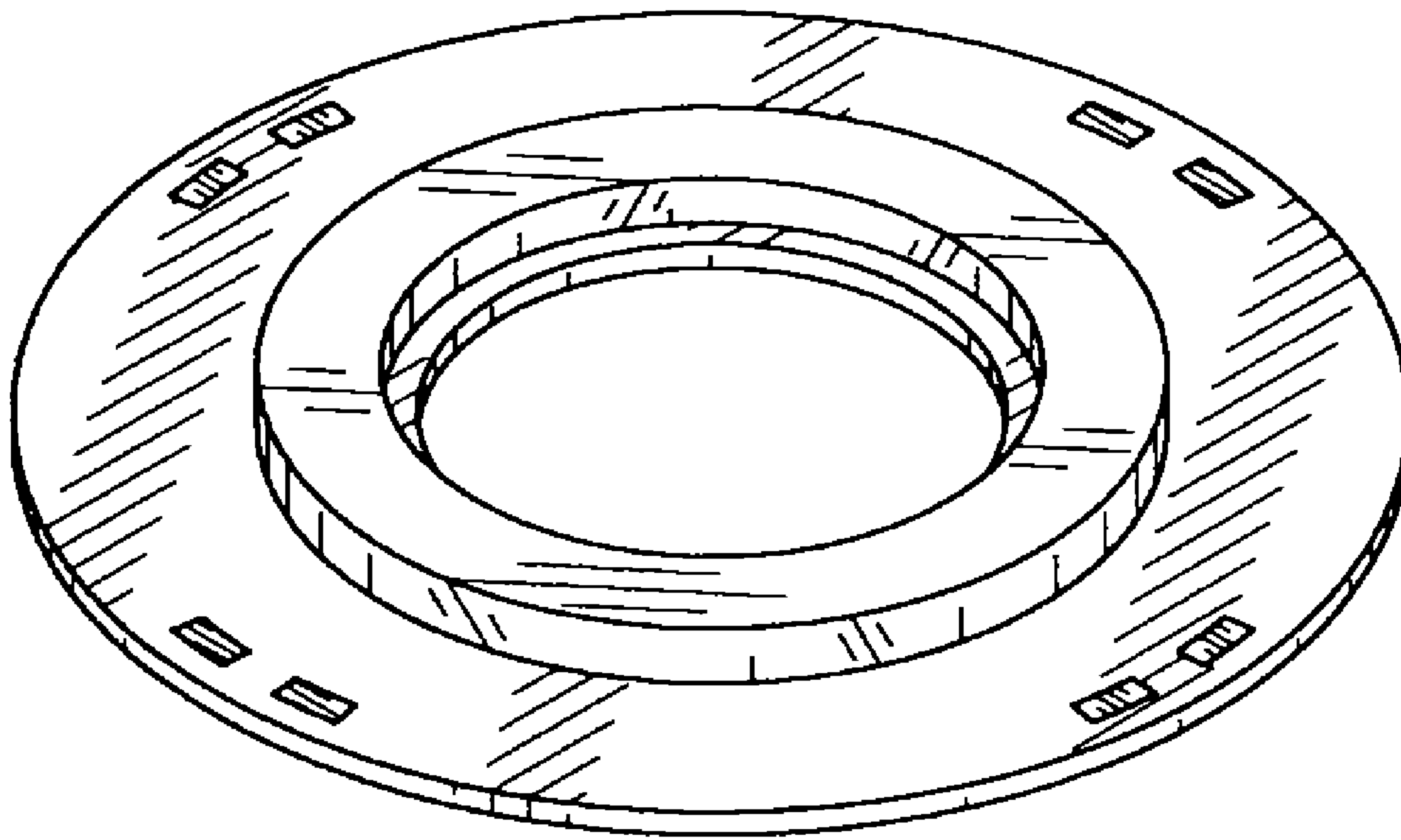
FIG. 6 is a top view thereof; and,

FIG. 7 is a bottom view thereof.

**1 Claim, 7 Drawing Sheets**

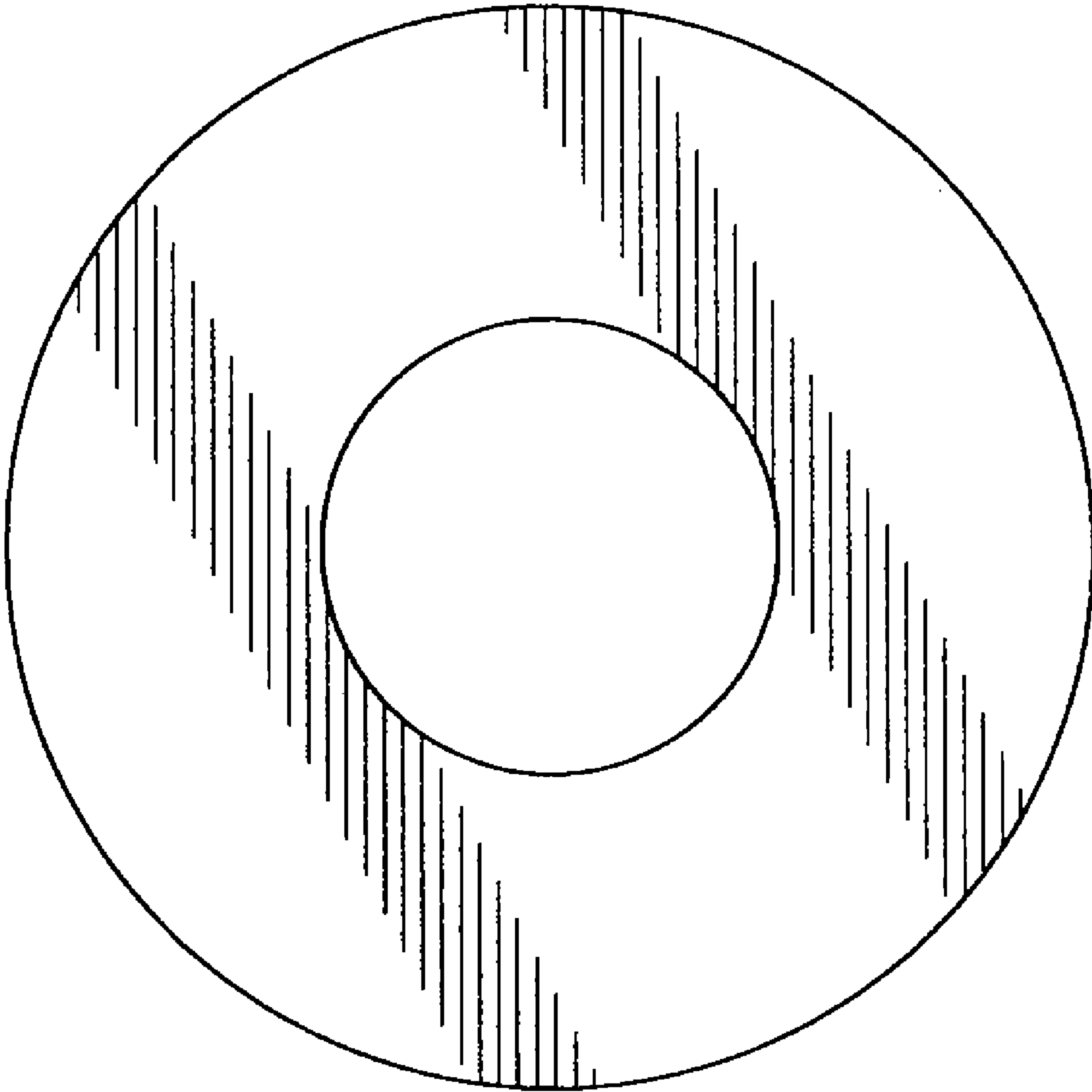


**FIG. 1**





**FIG.3**



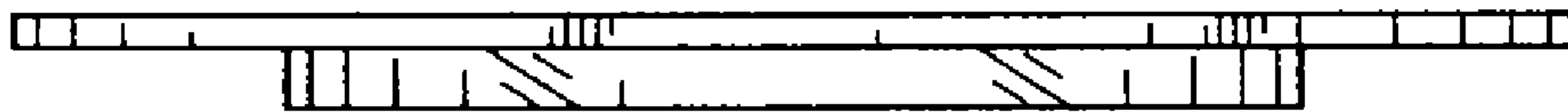
**FIG. 4**



**FIG. 5**



**FIG. 6**



**FIG. 7**

