



US00D581885S

(12) **United States Design Patent**
Ogata et al.

(10) **Patent No.:** **US D581,885 S**
(45) **Date of Patent:** **** Dec. 2, 2008**

(54) **LIGHT SOURCE OF LIGHT EMITTING DIODE**

(75) Inventors: **Toshifumi Ogata**, Kadoma (JP);
Yasuharu Ueno, Kadoma (JP);
Nobuyuki Matsui, Kadoma (JP);
Masumi Abe, Kadoma (JP)

(73) Assignee: **Panasonic Corporation**, Osaka (JP)

(**) Term: **14 Years**

(21) Appl. No.: **29/296,794**

(22) Filed: **Oct. 29, 2007**

(30) **Foreign Application Priority Data**

Jun. 14, 2007 (JP) 2007-015830
Jun. 14, 2007 (JP) 2007-015831

(51) **LOC (8) Cl.** **13-03**

(52) **U.S. Cl.** **D13/180**

(58) **Field of Classification Search** D26/1,
D26/24, 26, 37, 51-52, 60, 72; D10/109,
D10/111, 113-114; 362/555, 125, 154, 157-159,
362/182, 184-186, 194, 641-642, 646, 652,
362/655-656, 800; D13/180-181
See application file for complete search history.

(56) **References Cited**

U.S. PATENT DOCUMENTS

D535,037 S * 1/2007 Kim et al. D26/1

D548,704 S * 8/2007 Wu et al. D13/180
D550,868 S * 9/2007 Egawa et al. D26/24
D565,753 S * 4/2008 Uemoto et al. D26/24
D566,665 S * 4/2008 Liao et al. D13/180
D568,833 S * 5/2008 Li D13/180
D571,315 S * 6/2008 Oon et al. D13/180

FOREIGN PATENT DOCUMENTS

JP 2003-124528 A 4/2003

* cited by examiner

Primary Examiner—Charles A. Rademaker

Assistant Examiner—Dana L Sipos

(74) *Attorney, Agent, or Firm*—Brinks Hofer Gilson & Lione

(57) **CLAIM**

We claim the ornamental design for a light source of light emitting diode, as shown and described.

DESCRIPTION

FIG. 1 is a top perspective view of a light source of light emitting diode of the present invention;
FIG. 2 is a front elevation view thereof;
FIG. 3 is a rear elevation view thereof;
FIG. 4 is a side elevation view thereof;
FIG. 5 is the opposing side elevation view thereof;
FIG. 6 is a top plan view thereof; and,
FIG. 7 is a bottom plan view thereof.

1 Claim, 7 Drawing Sheets

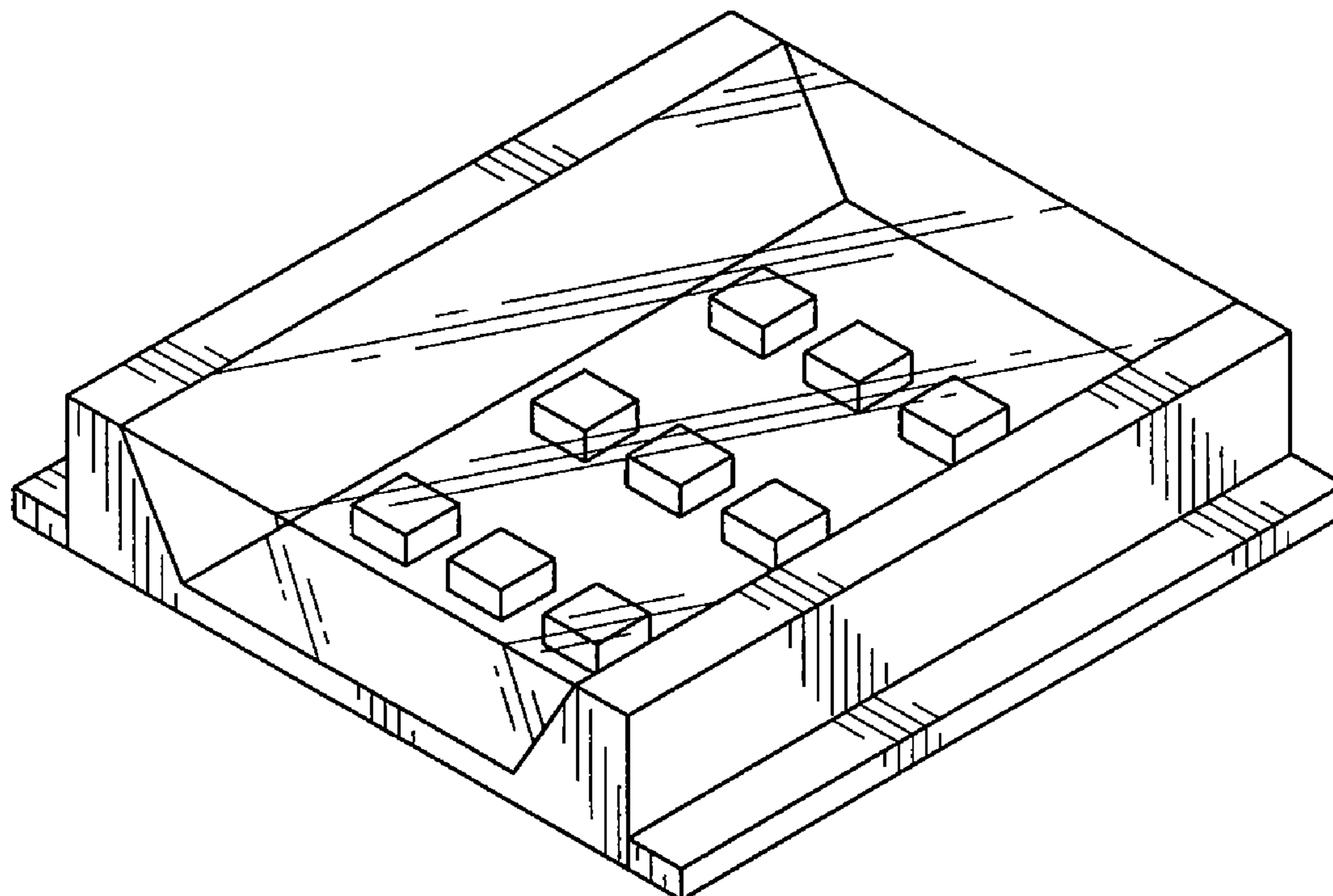


FIG. 1

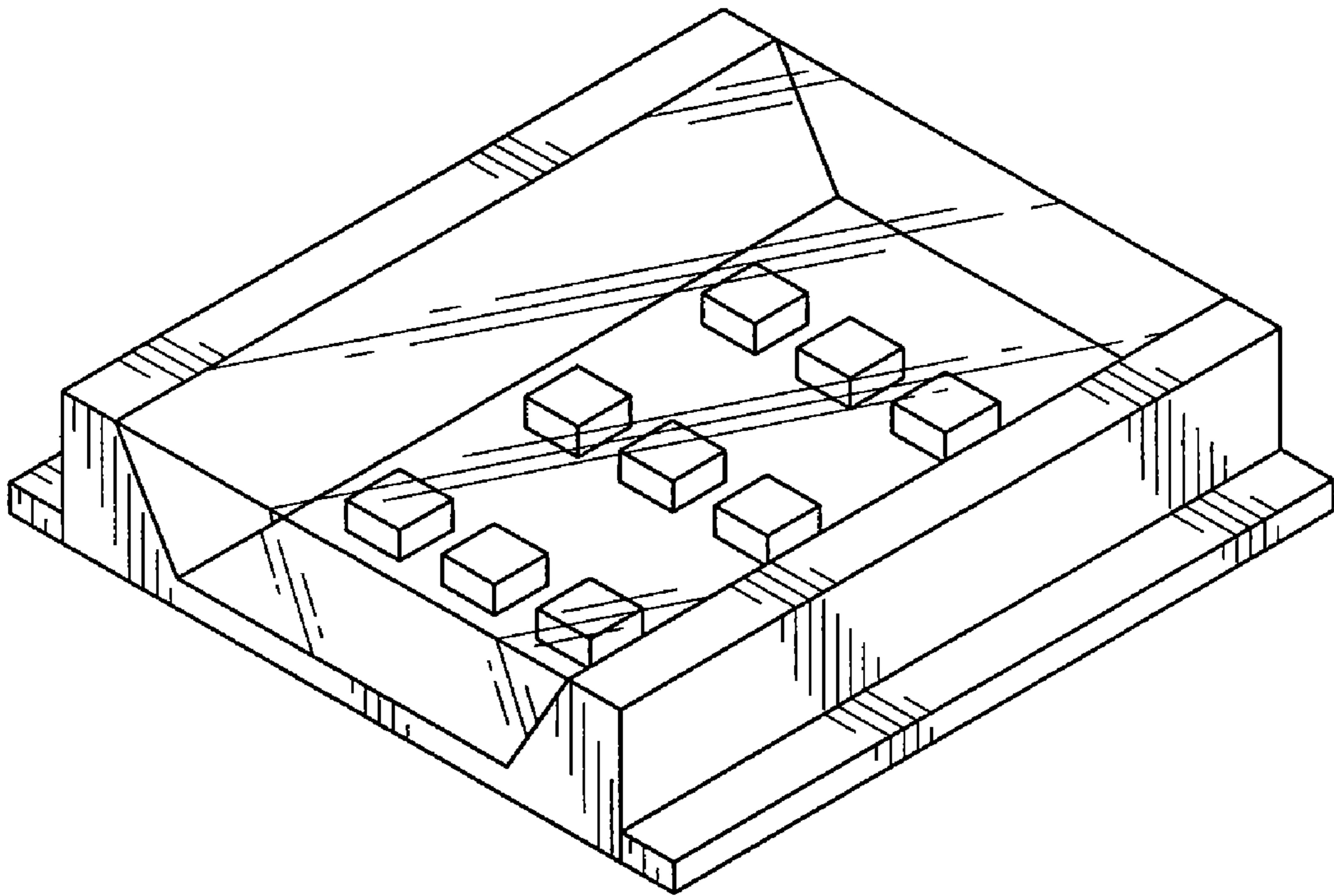


FIG. 2

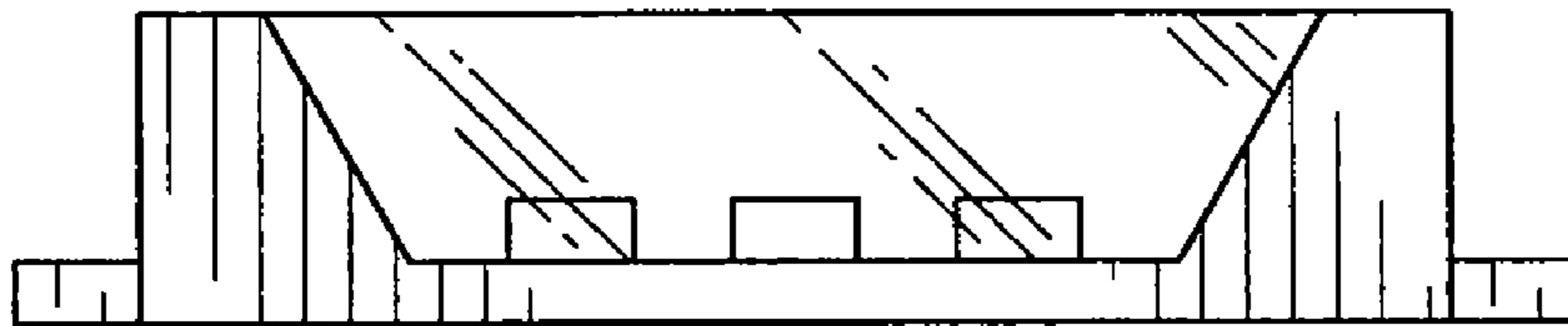


FIG. 3

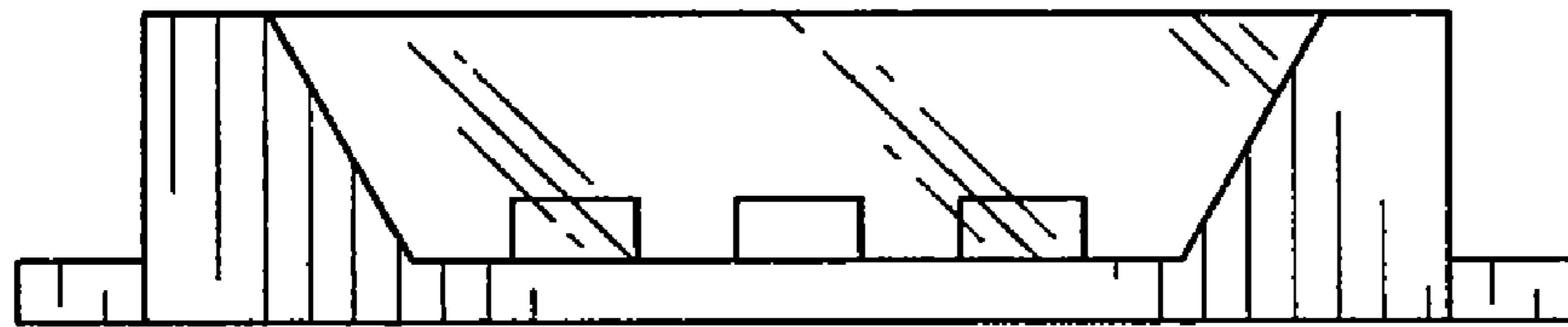


FIG. 4

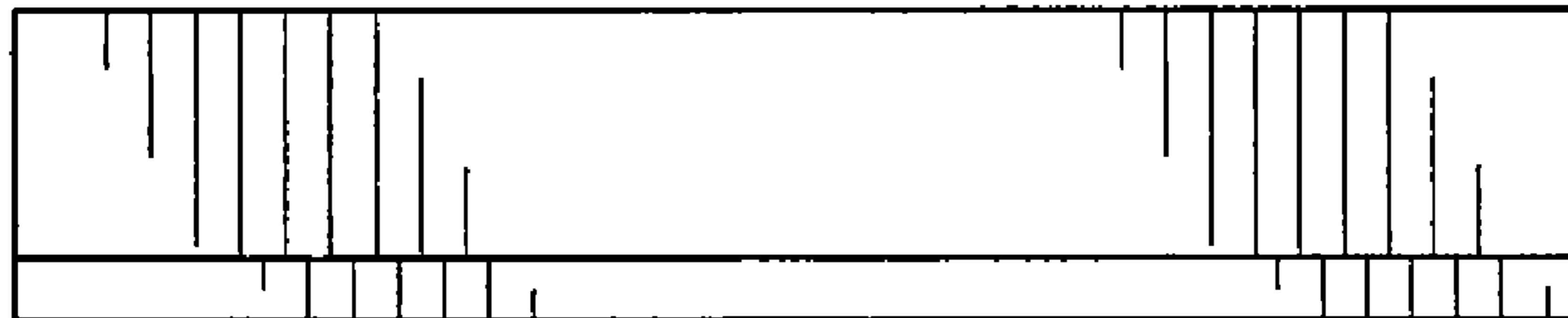


FIG. 5

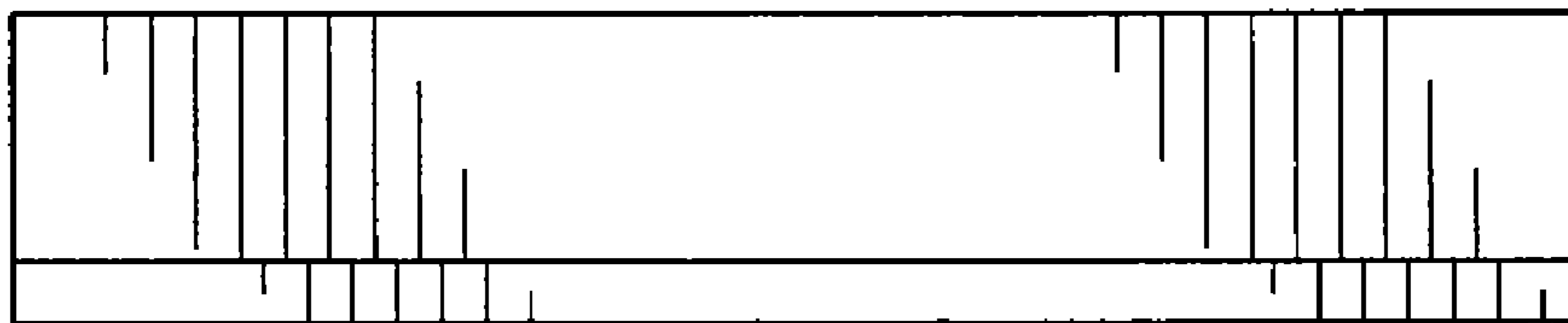


FIG. 6

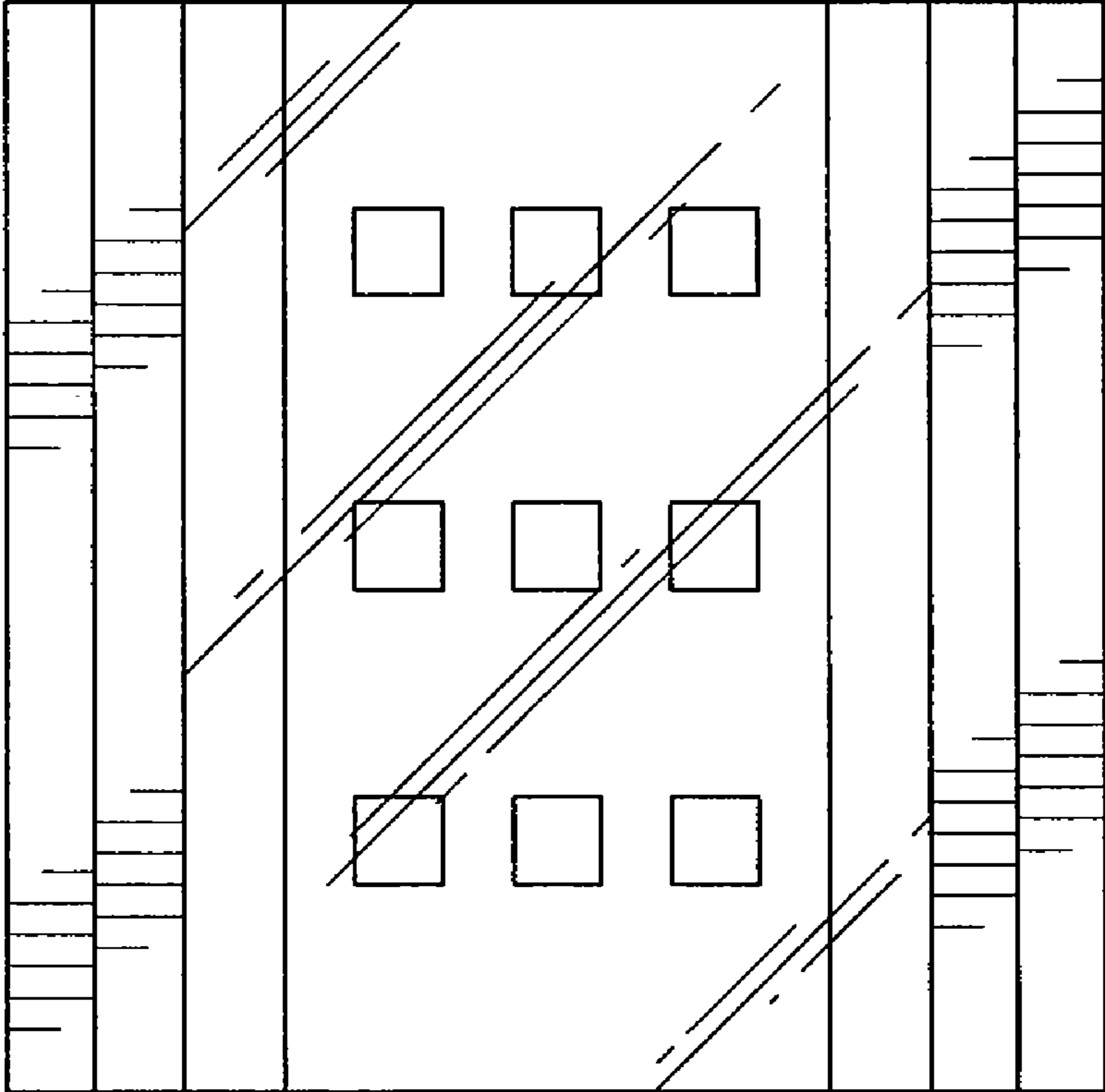


FIG. 7

