



US00D581883S

(12) **United States Design Patent**
Lin

(10) **Patent No.:** **US D581,883 S**
(45) **Date of Patent:** **** Dec. 2, 2008**

(54) **HEAT SINK**
(75) Inventor: **Sheng-Huang Lin**, Kaohsiung (TW)
(73) Assignee: **Asia Vital Components Co., Ltd.**,
Kaohsiung (TW)
(**) Term: **14 Years**
(21) Appl. No.: **29/279,640**
(22) Filed: **May 4, 2007**

6,501,656 B1 * 12/2002 Peng et al. 361/703
6,621,704 B1 * 9/2003 Liu 361/704
D509,486 S * 9/2005 Yu et al. D13/179
7,292,442 B2 * 11/2007 Yu et al. 361/704
D567,192 S * 4/2008 Lin D13/179
7,397,663 B2 * 7/2008 Chen et al. 361/704
2006/0042787 A1 * 3/2006 Yu et al. 165/185

* cited by examiner

Primary Examiner—Selina Sikder

(51) **LOC (8) Cl.** **13-03**
(52) **U.S. Cl.** **D13/179**
(58) **Field of Classification Search** D13/179;
165/80.3, 104.33, 151, 122, 185; 257/706,
257/707, 718-722; 361/687, 695, 697, 700,
361/702, 704, 709, 710, 711, 719
See application file for complete search history.

(57) **CLAIM**

The ornamental design for a heat sink, as shown.

(56) **References Cited**

U.S. PATENT DOCUMENTS

5,828,553 A * 10/1998 Chiou 361/704
5,933,326 A * 8/1999 Lee et al. 361/704
6,205,026 B1 * 3/2001 Wong et al. 361/704
6,310,774 B1 * 10/2001 Lee 361/704
6,343,013 B1 * 1/2002 Chen 361/695

DESCRIPTION

FIG. 1 is a perspective view of a heat sink showing my new design;
FIG. 2 is a front elevational view thereof;
FIG. 3 is a rear elevational view thereof;
FIG. 4 is a left side elevational view thereof;
FIG. 5 is a right side elevational view thereof;
FIG. 6 is a top plan view thereof; and,
FIG. 7 is a bottom plan view thereof.

1 Claim, 7 Drawing Sheets

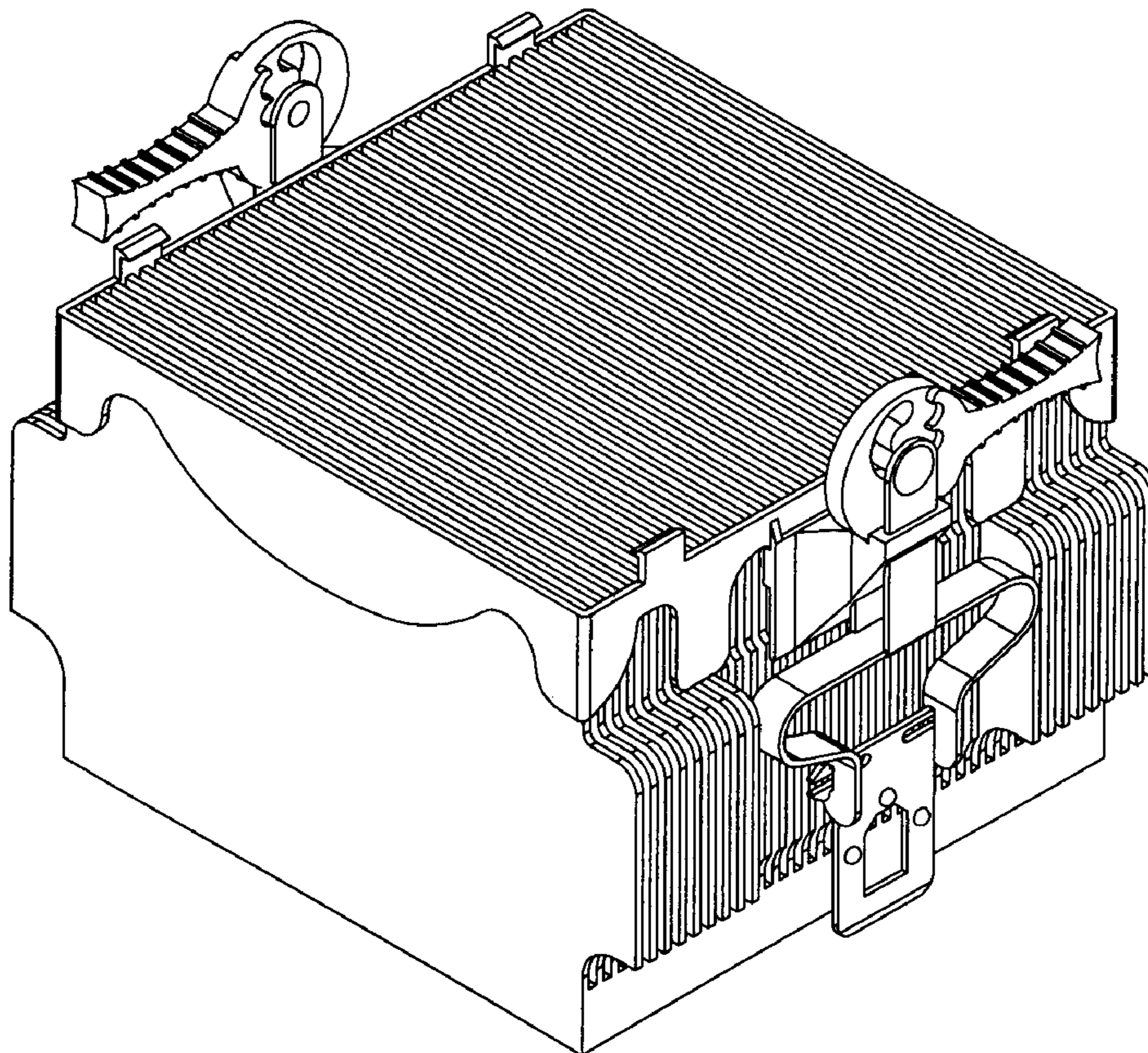


FIG 1

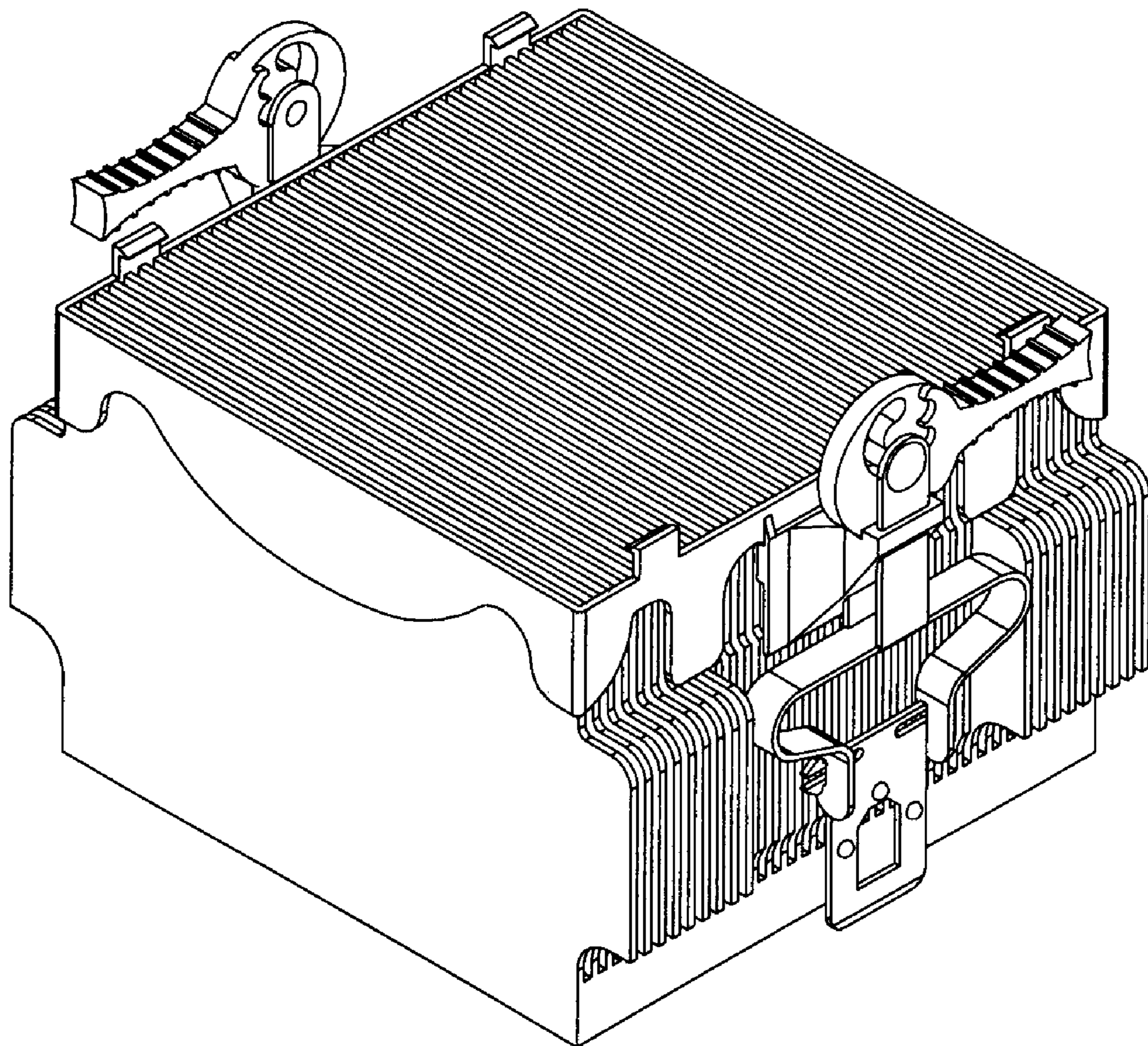


FIG 2

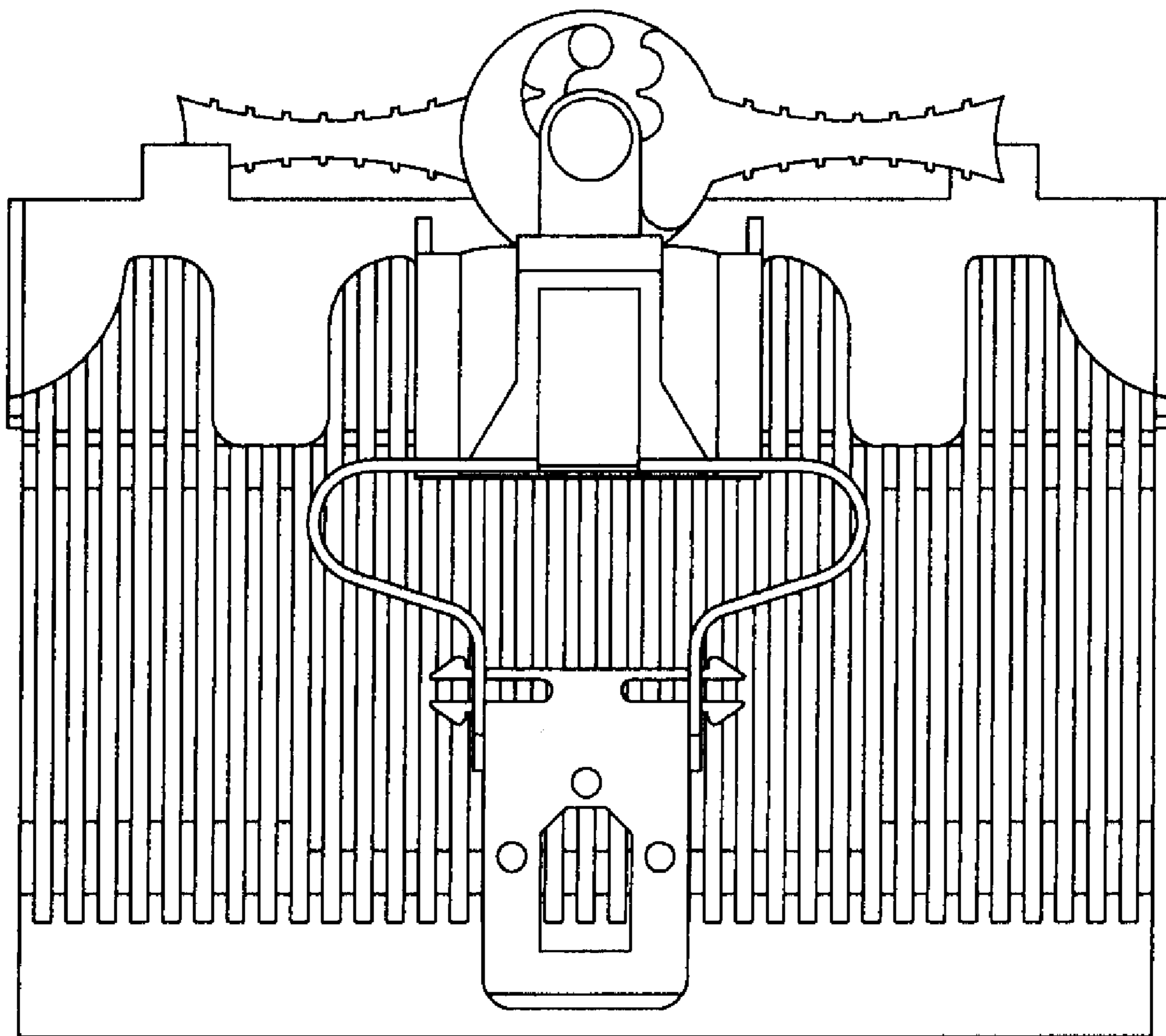


FIG 3

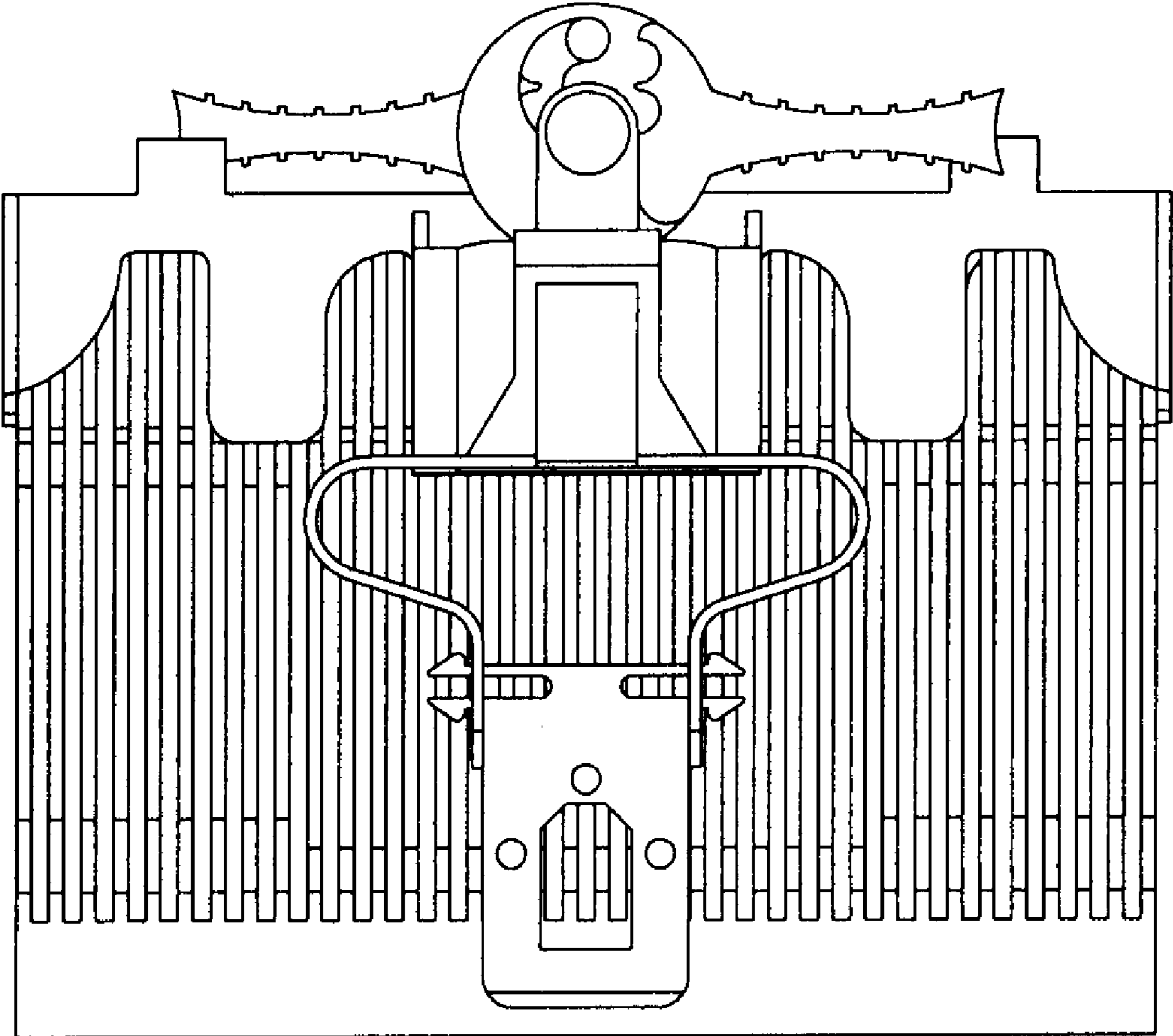


FIG 4

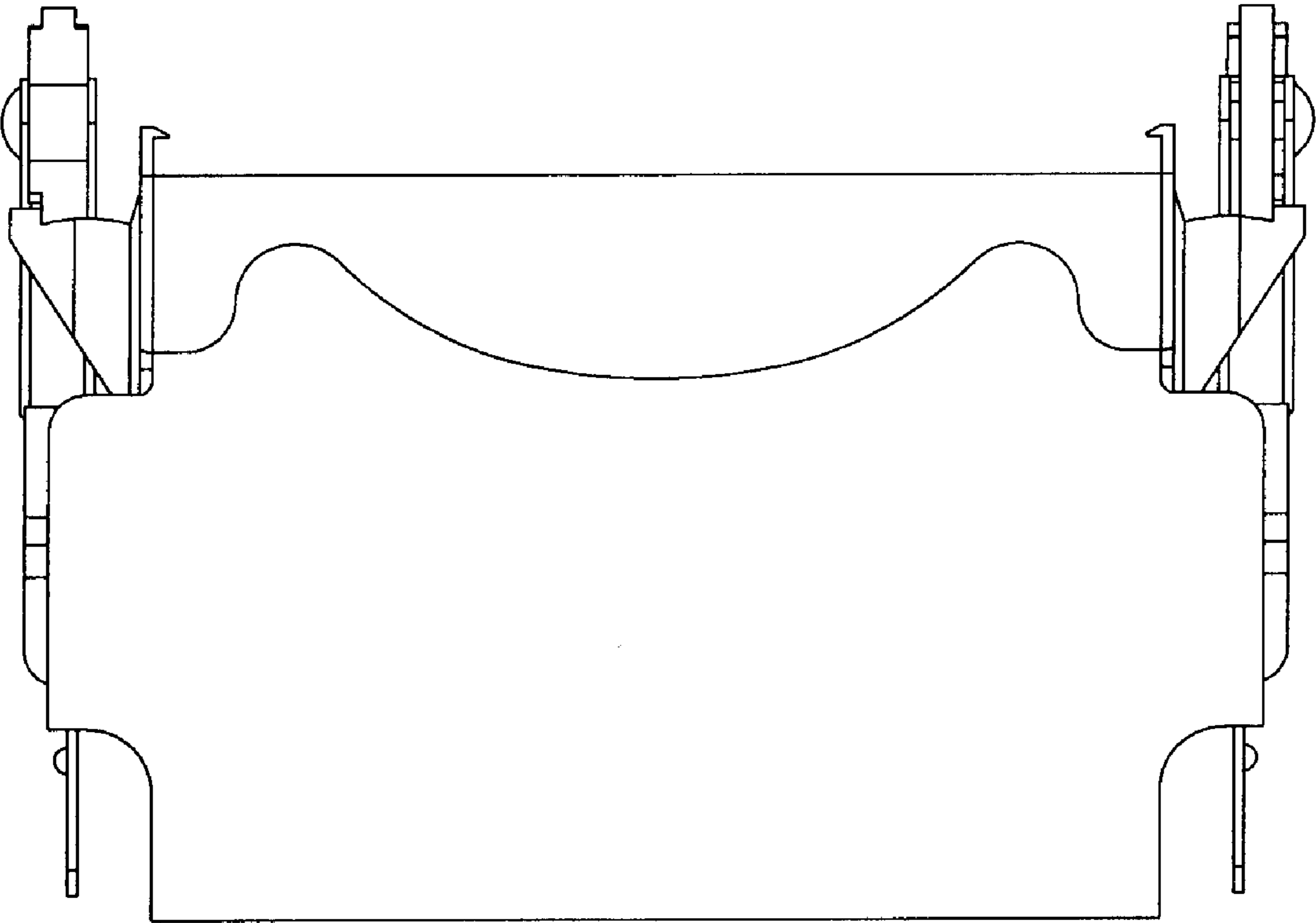


FIG 5

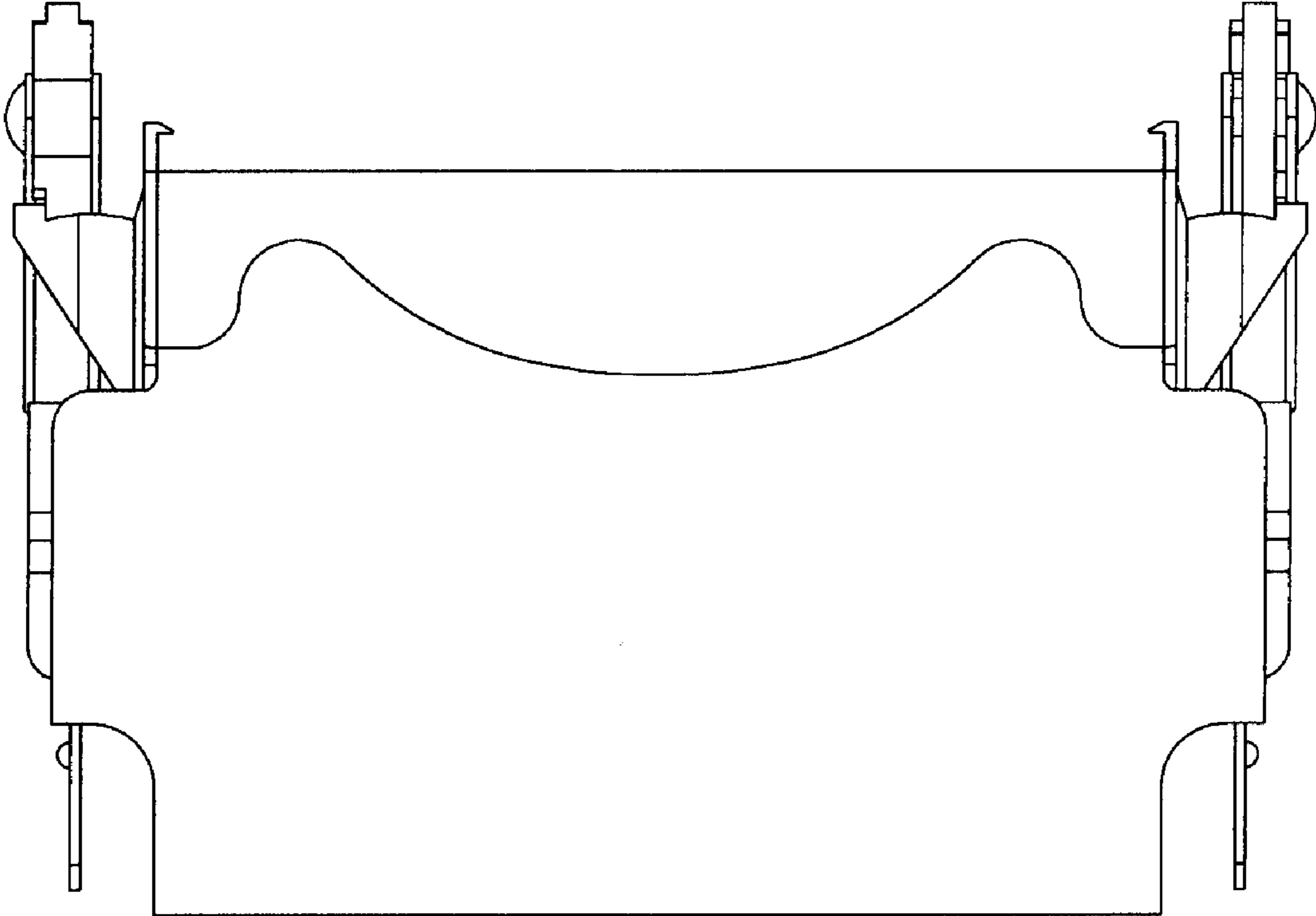


FIG 6

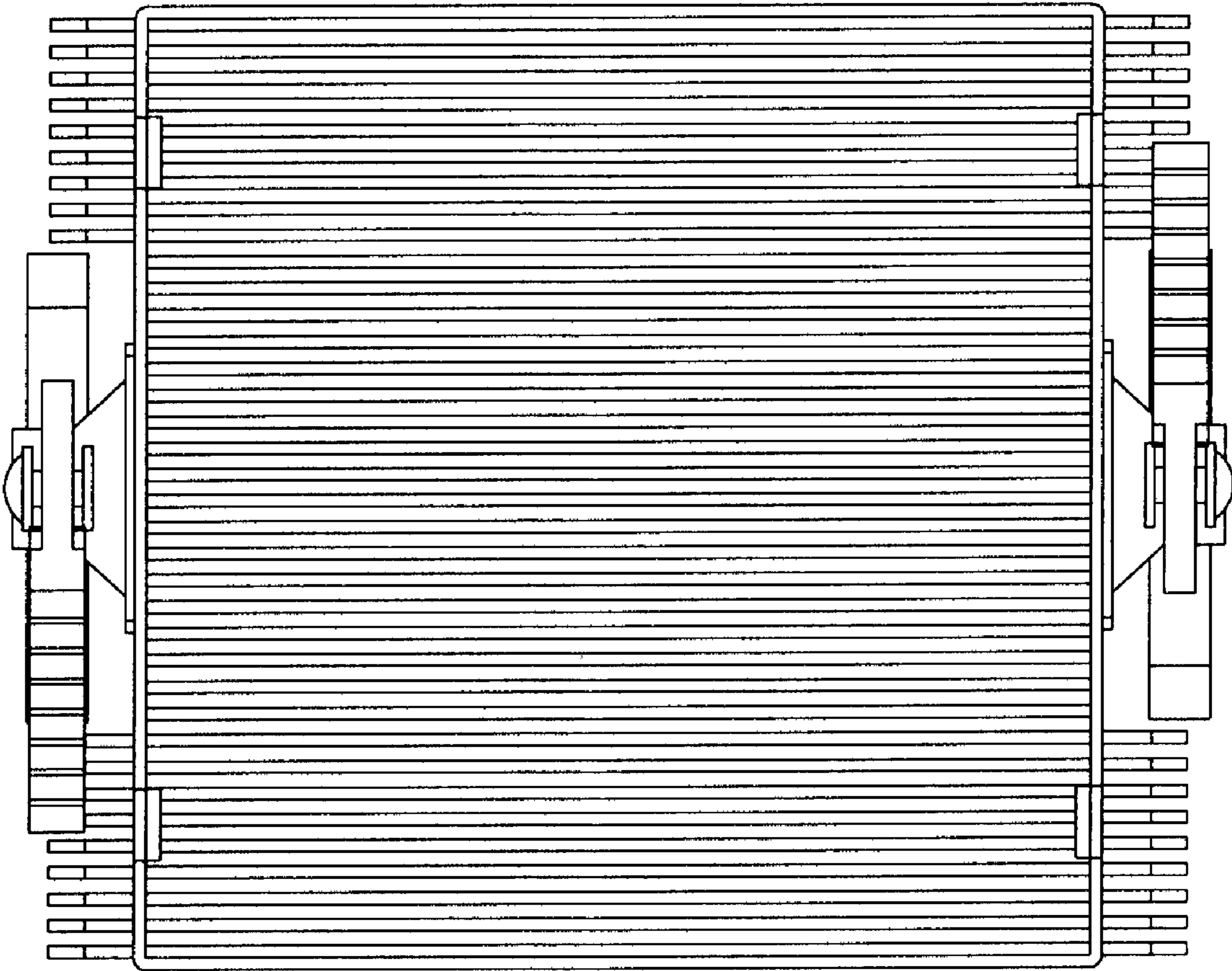


FIG 7

