



US00D581882S

(12) **United States Design Patent**
Chen et al.

(10) **Patent No.:** **US D581,882 S**
(45) **Date of Patent:** **** Dec. 2, 2008**

(54) **FAN HOUSING**

(75) Inventors: **Chin-Ming Chen**, Taoyuan Hsien (TW);
Yuhsien Lin, Taoyuan (TW); **Tsung-Lin**
Chen, Taoyuan (TW); **Alex Hsia**,
Taoyuan (TW)

(73) Assignee: **Delta Electronics Inc.**, Taoyuan Hsien
(TW)

(**) Term: **14 Years**

(21) Appl. No.: **29/273,601**

(22) Filed: **Mar. 9, 2007**

(30) **Foreign Application Priority Data**

Sep. 12, 2006 (TW) 95305151

(51) **LOC (8) Cl.** **13-03**

(52) **U.S. Cl.** **D13/179**

(58) **Field of Classification Search** D13/179;
165/80.3, 104.33, 151, 122, 185; 257/706,
257/707, 718-722; 361/687, 695, 697, 700,
361/702, 704, 709, 710, 711, 719
See application file for complete search history.

(56) **References Cited**

U.S. PATENT DOCUMENTS

D497,348 S 10/2004 Hong et al.
D509,485 S * 9/2005 Mochizuki et al. D13/179
7,255,529 B2 * 8/2007 Ku et al. 415/119

7,281,893 B2 * 10/2007 Pan 415/177
7,317,267 B2 * 1/2008 Schmid et al. 310/51
2002/0182068 A1 * 12/2002 Liu 415/176
2005/0141992 A1 * 6/2005 Lin 415/176
2008/0030952 A1 * 2/2008 Chen et al. 361/697

FOREIGN PATENT DOCUMENTS

JP 1-169277 A 7/1989
TW D108000 S 11/2005
TW D108532 S 2/2006

* cited by examiner

Primary Examiner—Selina Sikder

(74) *Attorney, Agent, or Firm*—Birch, Stewart, Kolasch &
Birch, LLP

(57) **CLAIM**

The ornamental design for a fan housing, as shown and
described herein.

DESCRIPTION

FIG. 1 is a perspective view of a fan housing showing our new
design;

FIG. 2 is a right side view thereof;

FIG. 3 is a top view thereof;

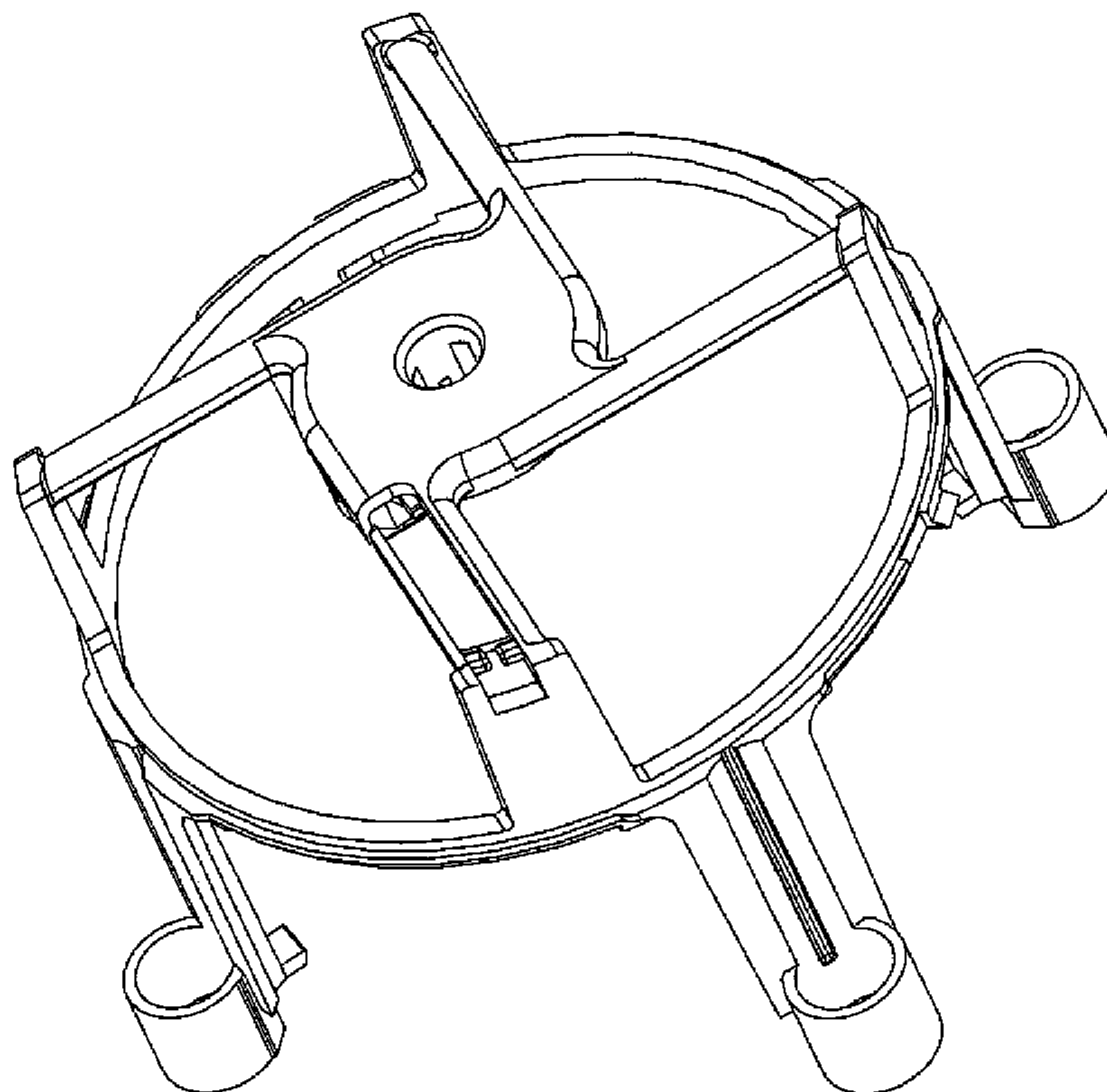
FIG. 4 is a front view thereof;

FIG. 5 is a bottom view thereof;

FIG. 6 is a left side view thereof; and,

FIG. 7 is a rear view thereof.

1 Claim, 7 Drawing Sheets



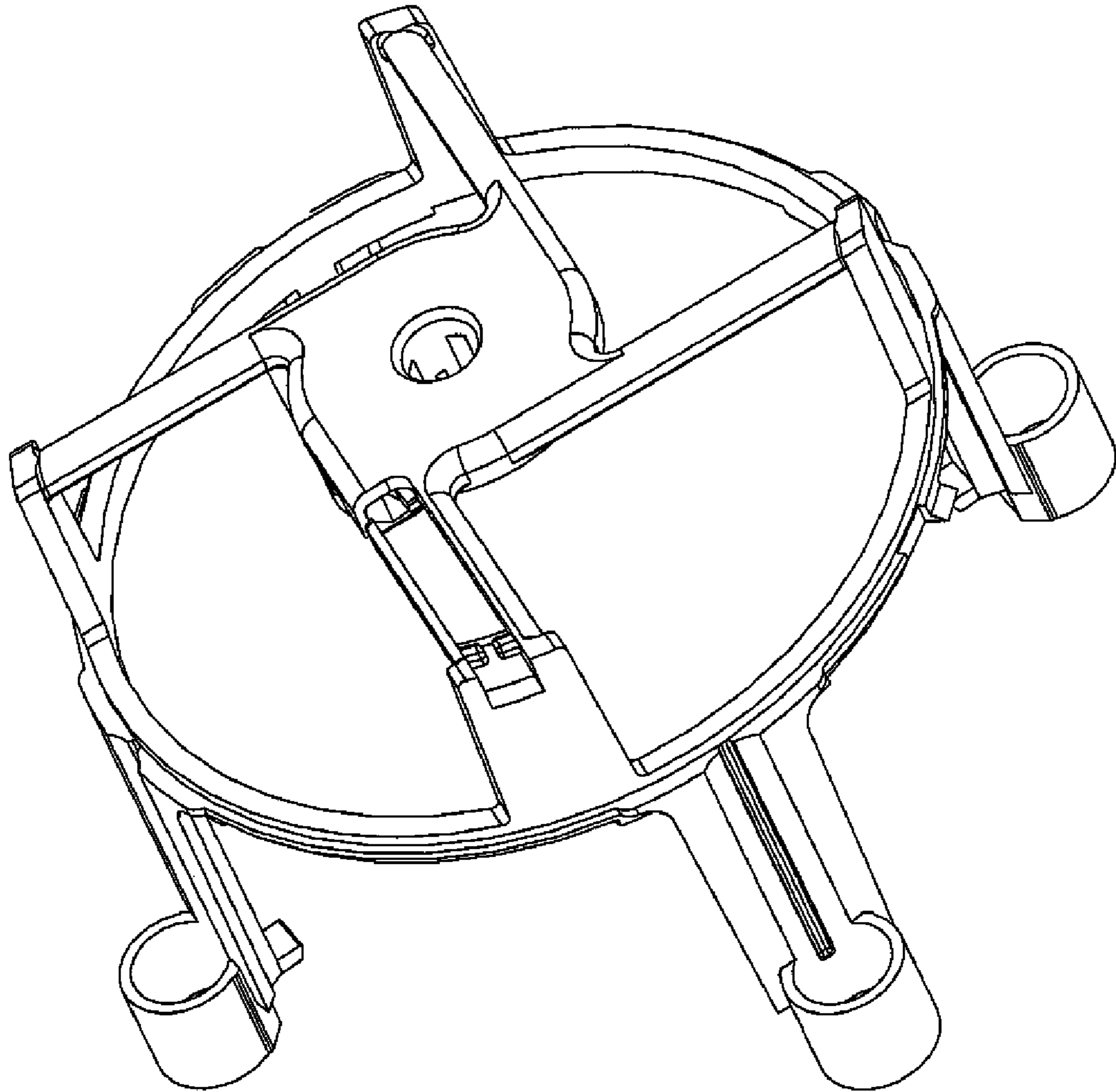


FIG.1

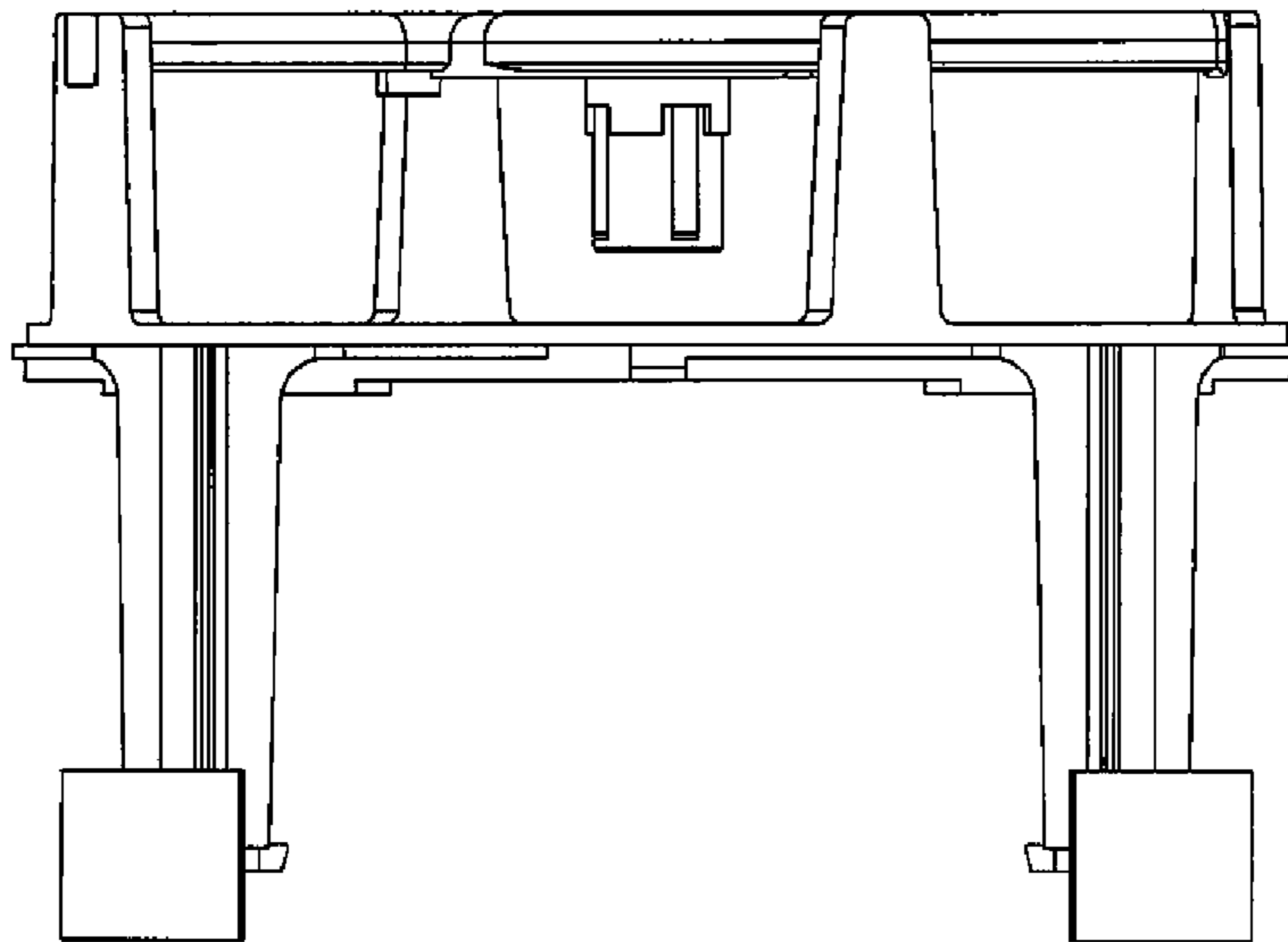


FIG.2

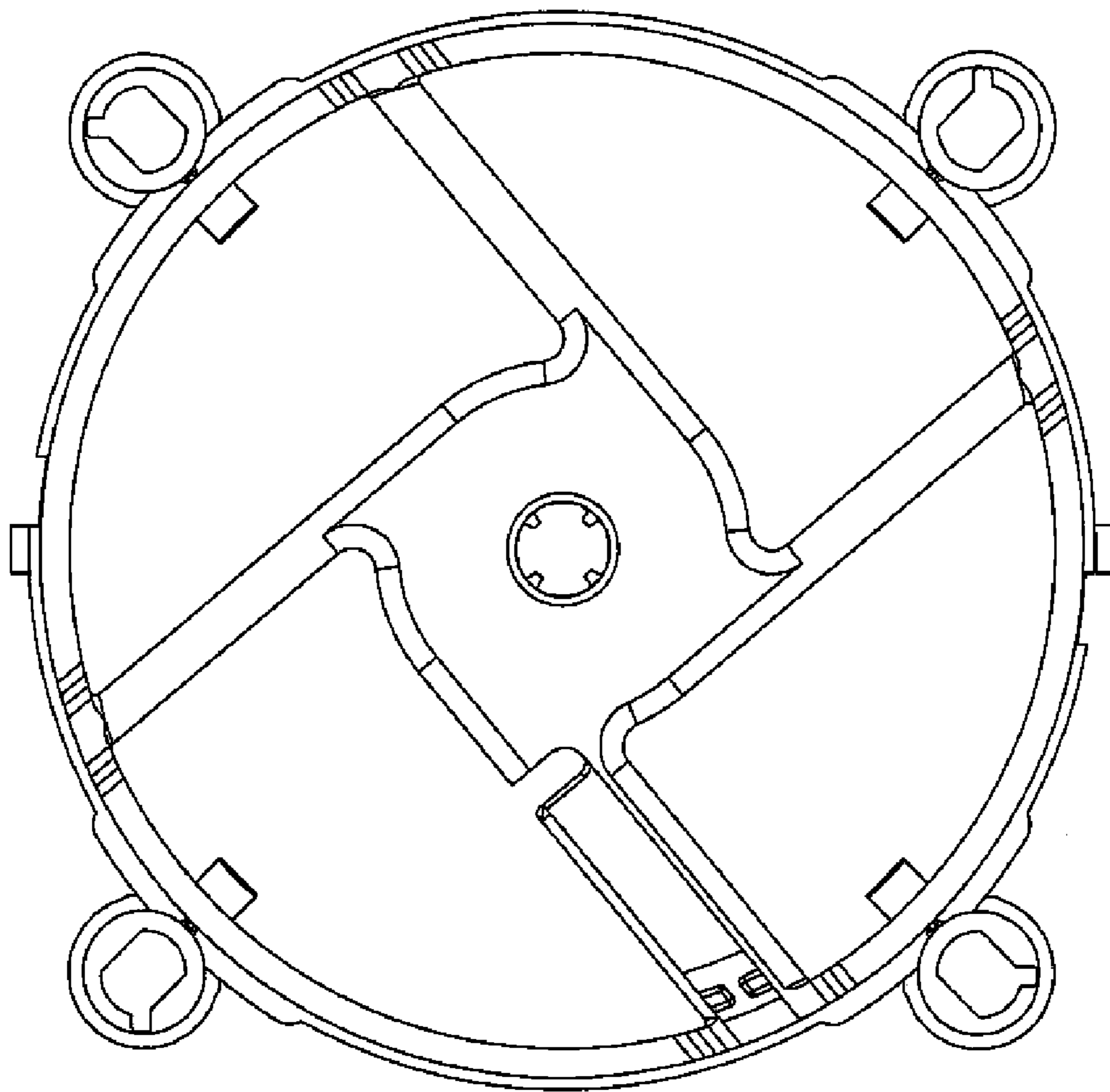


FIG.3

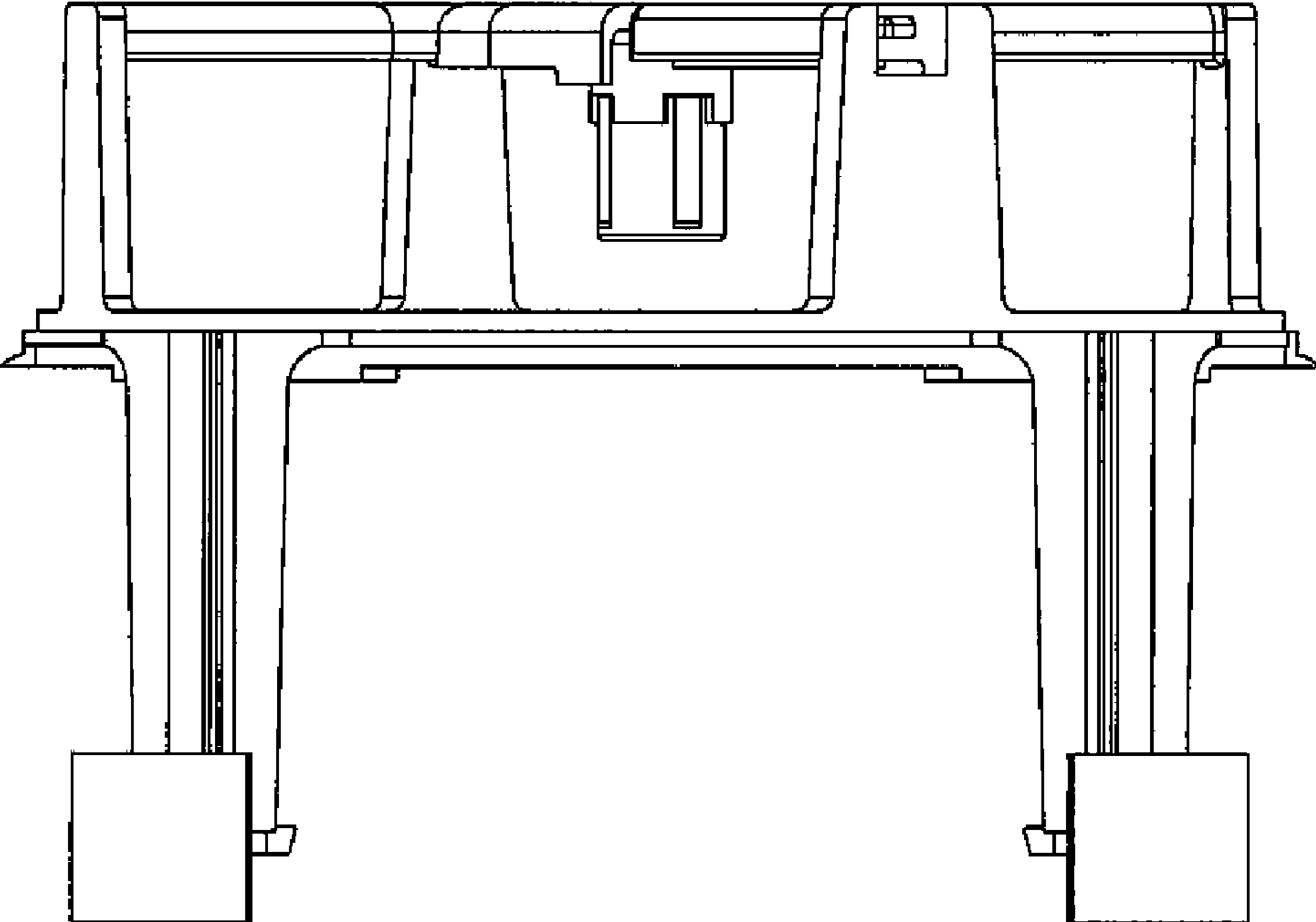


FIG.4

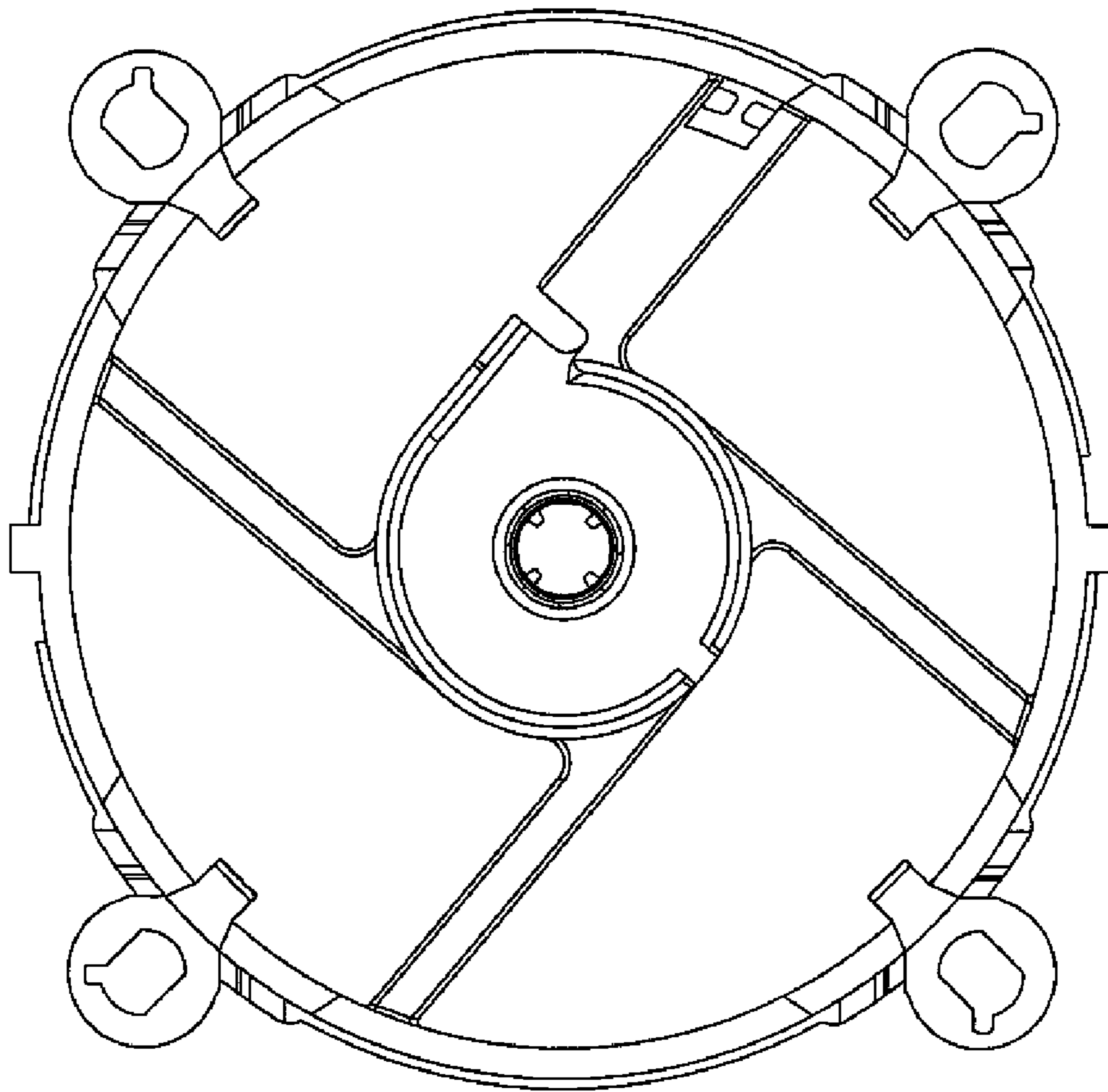


FIG.5

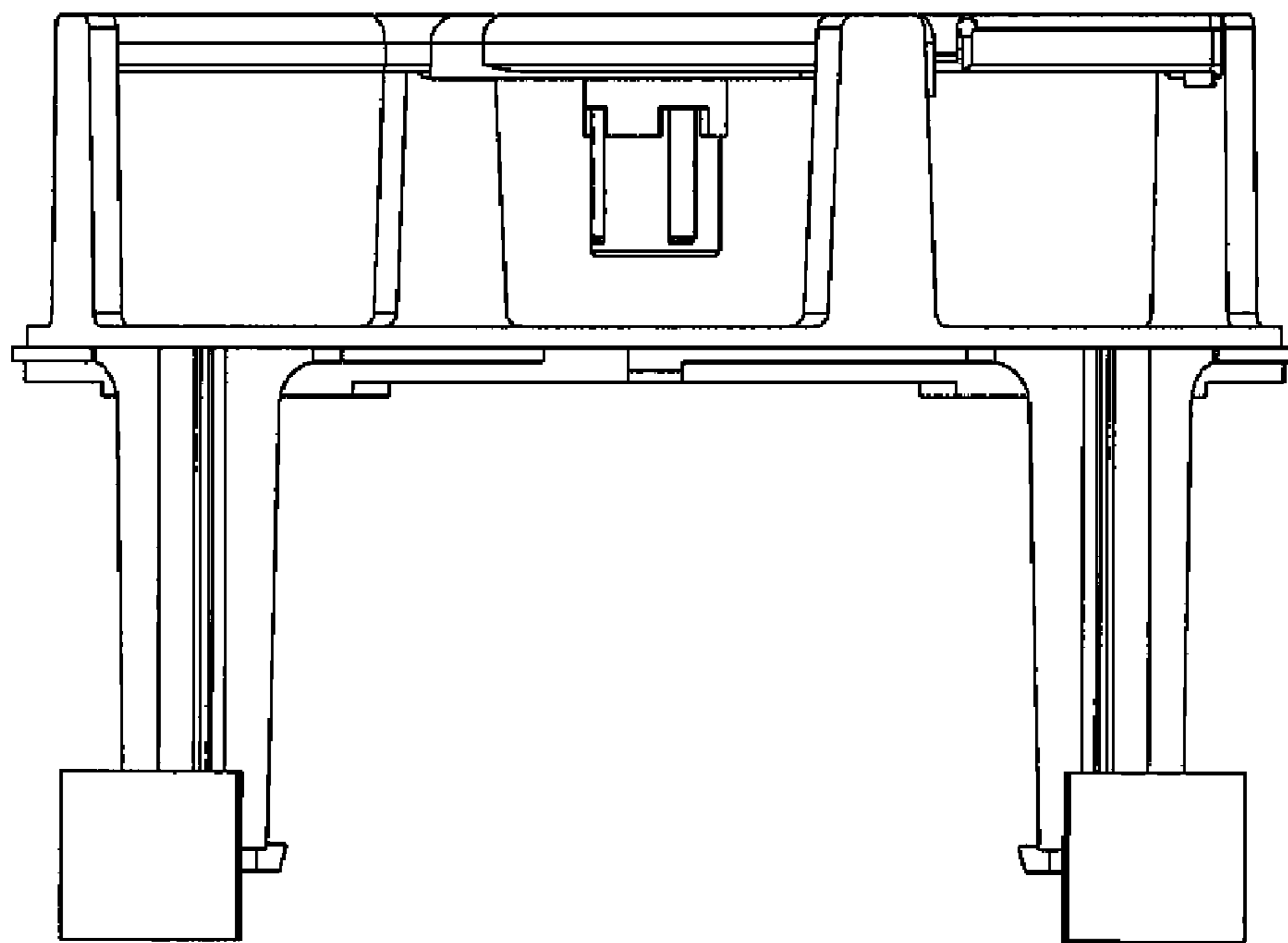


FIG.6

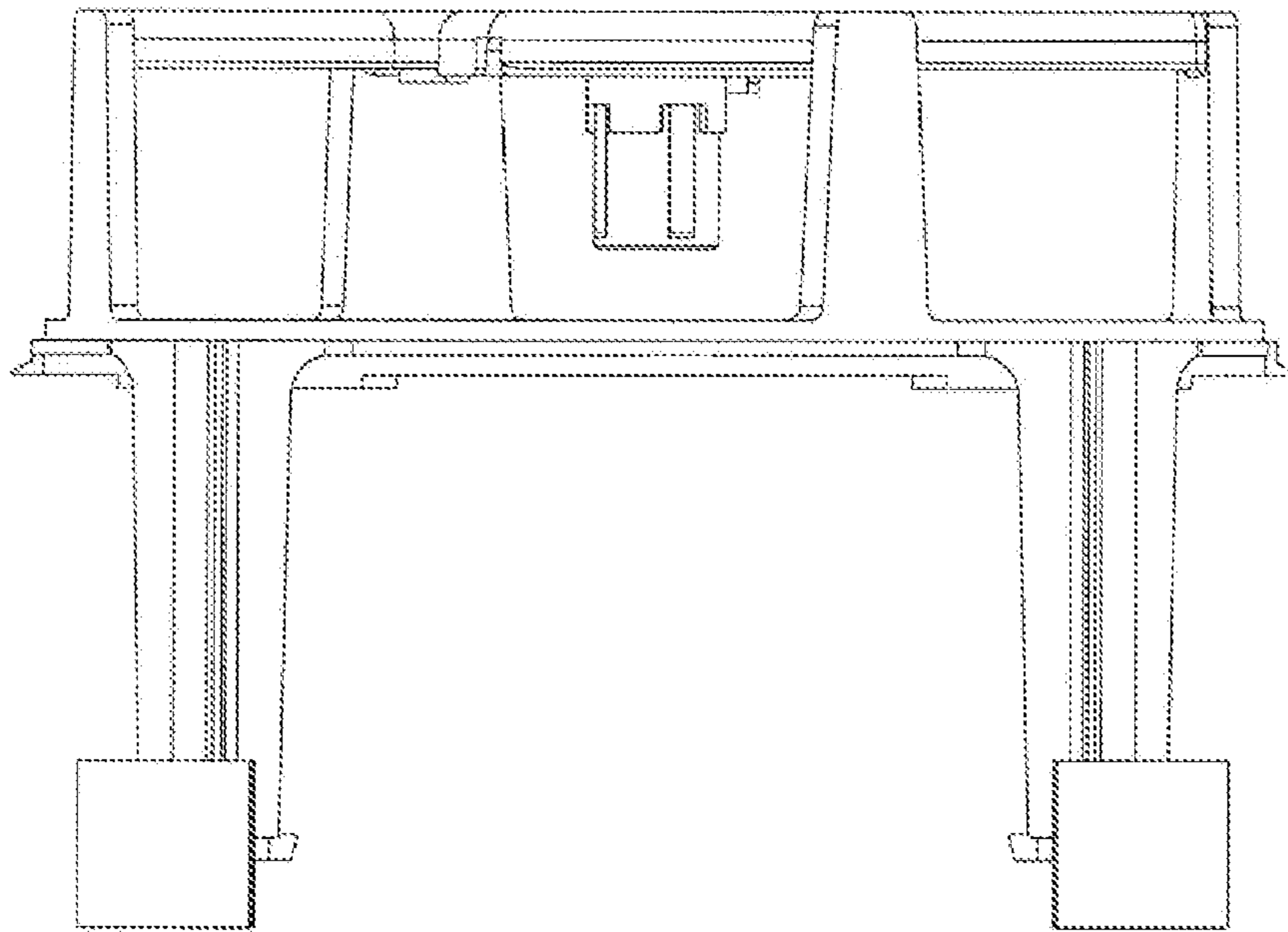


FIG. 7