



US00D581880S

(12) **United States Design Patent**
Neitzel et al.

(10) **Patent No.:** **US D581,880 S**
(45) **Date of Patent:** **** Dec. 2, 2008**

(54) **WIRELESS EXTENSION UNIT FOR AN IRRIGATION CONTROLLER**

(75) Inventors: **Roger S. Neitzel**, Escondido, CA (US);
Malcolm N. Napier, San Diego, CA (US); **David G. Fern**, Santee, CA (US)

(73) Assignee: **Rain Bird Corporation**, Azusa, CA (US)

(**) Term: **14 Years**

(21) Appl. No.: **29/276,204**

(22) Filed: **Jan. 18, 2007**

Related U.S. Application Data

(63) Continuation-in-part of application No. 11/458,535, filed on Jul. 19, 2006.

(51) **LOC (8) Cl.** **13-03**

(52) **U.S. Cl.** **D13/162**

(58) **Field of Classification Search** D13/162,
D13/162.1, 164, 184; 239/63, 69, 70; 700/11,
700/14-20; D10/40; D23/235; 137/1, 377,
137/565.22, 59, 624.11, 78.3; 174/657; 210/143,
210/205

See application file for complete search history.

(56) **References Cited**

U.S. PATENT DOCUMENTS

- 4,937,746 A 6/1990 Brundisini
- D368,230 S * 3/1996 Cohen et al. D10/40
- 6,259,955 B1 7/2001 Brundisini et al.
- D487,728 S * 3/2004 Murray D13/162
- D492,264 S * 6/2004 Perez et al. D13/162
- D535,571 S * 1/2007 Simon et al. D10/40
- D546,772 S * 7/2007 Venegas et al. D13/162
- 2005/0060065 A1 3/2005 Yuan
- 2005/0273205 A1 12/2005 Nickerson et al.
- 2006/0030971 A1 * 2/2006 Nelson et al. 700/284

- 2007/0106426 A1 5/2007 Ensworth et al.
- 2007/0208462 A1 9/2007 Kah
- 2007/0251112 A1 * 11/2007 San Jose et al. 33/566
- 2008/0058964 A1 * 3/2008 Nickerson et al. 700/19
- 2008/0071426 A1 * 3/2008 Perez et al. 700/284

OTHER PUBLICATIONS

Rain Bird Corporation, "Ec Series Irrigation Controllers, Three Program Hybrid Indoor Controller," commercially available prior to Jan. 18, 2007, 2 pages, <http://web.archive.org/web/20070428032252/www.rainbird.com/landscape/products/controllers/ec.htm>.

(Continued)

Primary Examiner—Daniel D Bui

Assistant Examiner—Thomas J Johannes

(74) *Attorney, Agent, or Firm*—Fitch Even Tabin & Flannery

(57) **CLAIM**

We claim the ornamental design for a wireless extension unit for an irrigation controller, as shown and described.

DESCRIPTION

FIG. 1 is a perspective view of a wireless extension unit for an irrigation controller, with the door in a closed position, showing our new design;

FIG. 2 is another perspective view thereof, with the door in an opened position for clarity, revealing the inside control panel;

FIG. 3 is a front side elevation view thereof;

FIG. 4 is a right side elevation view thereof;

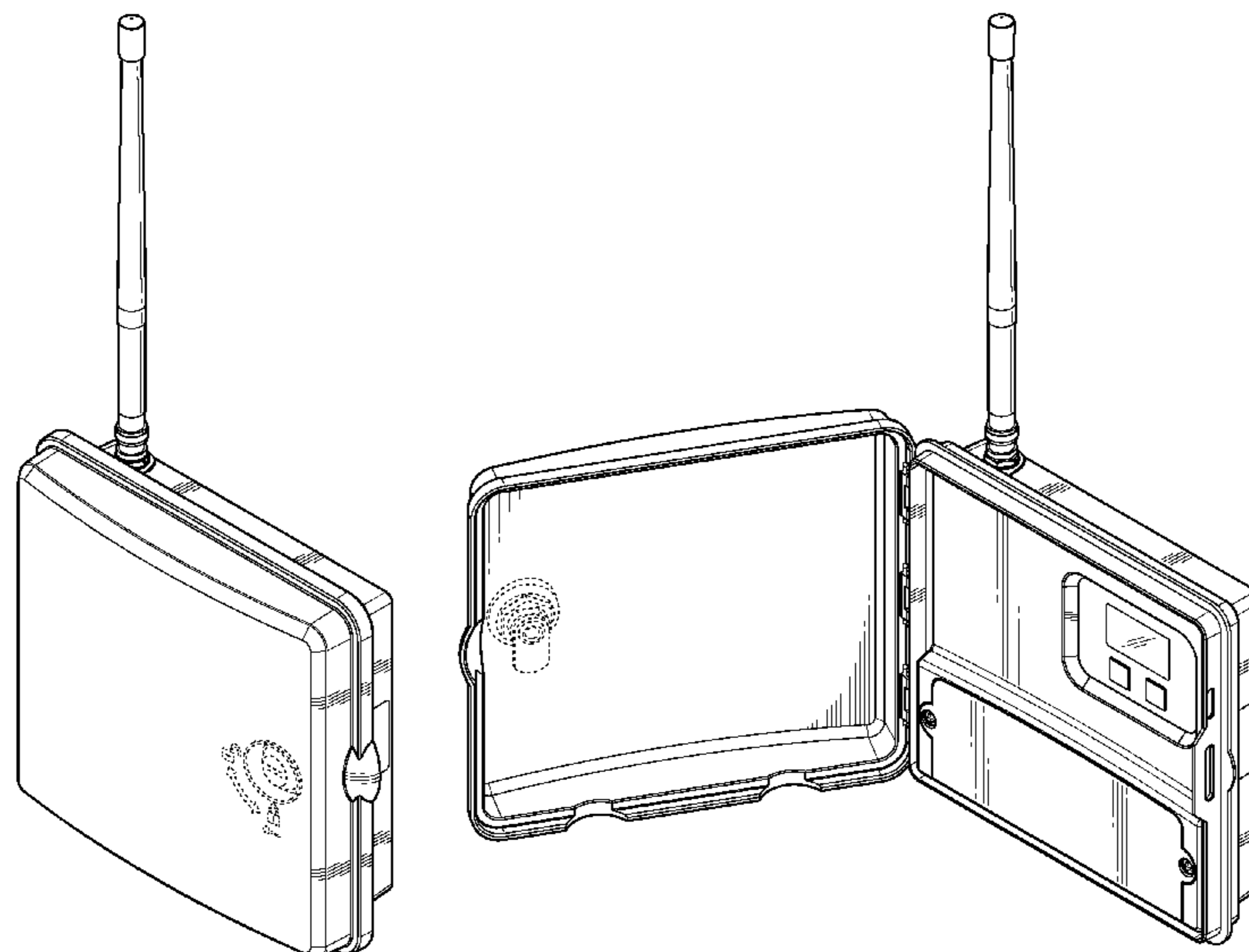
FIG. 5 is a left side elevation view thereof;

FIG. 6 is a top side view thereof; and,

FIG. 7 is a bottom side view thereof.

The broken line portions of the figure drawings showing the locking mechanism and the surface indicia is included to show unclaimed subject matter only and forms no part of the claimed design.

1 Claim, 6 Drawing Sheets



OTHER PUBLICATIONS

Rain Bird Corporation, "E-Class Series, Indoor/Outdoor Multiple Station Timer with Programmer Rain Delay," commercially available prior to Jan. 18, 2007, 1 page, <http://web.archive.org/web/20061230224254/www.rainbird.com/diy/products/timers/eclass.htm>.

Rain Bird Corporation, "ESP-LXi Series, Indoor/Outdoor Extra Simple Programmer with Drip Program," commercially available prior to Jan. 18, 2007, 1 page, <http://web.archive.org/web/20061229090326/www.rainbird.com/diy/products/timers/esplxi.htm>.

Rain Bird Corporation, "ESP-MC Series, Four Program Hybrid Controllers," commercially available prior to Jan. 18, 2007, 3 pages, <http://web.archive.org/web/20060502184113/www.rainbird.com/landscape/products/controllers/espmc.htm>.

Rain Bird Corporation, "ISA Series, Multiple Station Indoor Timers," commercially available prior to Jan. 18, 2007, 1 page, <http://web.archive.org/web/20061229091114/www.rainbird.com/diy/products/isa.htm>.

Rain Bird Corporation, "ISB-409, 9 Station Dual Program Indoor Timer," commercially available prior to Jan. 18, 2007, 1 page, <http://web.archive.org/web/20061229094429/www.rainbird.com/diy/products/timers/isb409.htm>.

Rain Bird Corporation, "ISM Series, Irrigation System Manager," commercially available prior to Jan. 18, 2007, 2 pages, <http://web.archive.org/web/20070224174857/www.rainbird.com/diy/products/timers/ism.htm>.

Rain Bird Corporation, "Rain Bird ESP-TM Series, Dual Program Hybrid Irrigation Controllers," commercially available prior to Jan. 18, 2007, 2 pages, <http://web.archive.org/web/20060221193813/www.rainbird.com/landscape/products/controllers/esptm.htm>.

Remconix, "ICI 500 Wireless Irrigation Information Page," <http://www.remconix.co.za/Products/Irrigation/ICI500.html>, both portrait and landscape versions, published at least as early as Mar. 22, 2006, 4 pages, Remconix (Pty.) Ltd., Republic of South Africa.

Remconix, "ICI 500 Wireless Irrigation System Brochure," <http://www.remconix.co.za/Products/Irrigation/ICI500.pdf>, published at least as early as Mar. 22, 2006, 2 pages, Remconix (Pty.) Ltd., Republic of South Africa.

Remconix, "ICI 500 Wireless Irrigation System PowerPoint Slide Show," <http://www.remconix.co.za/Products/Irrigation/ICI500.html>, published at least as early as Mar. 22, 2006, 17 pages, Remconix (Pty.) Ltd., Republic of South Africa.

* cited by examiner

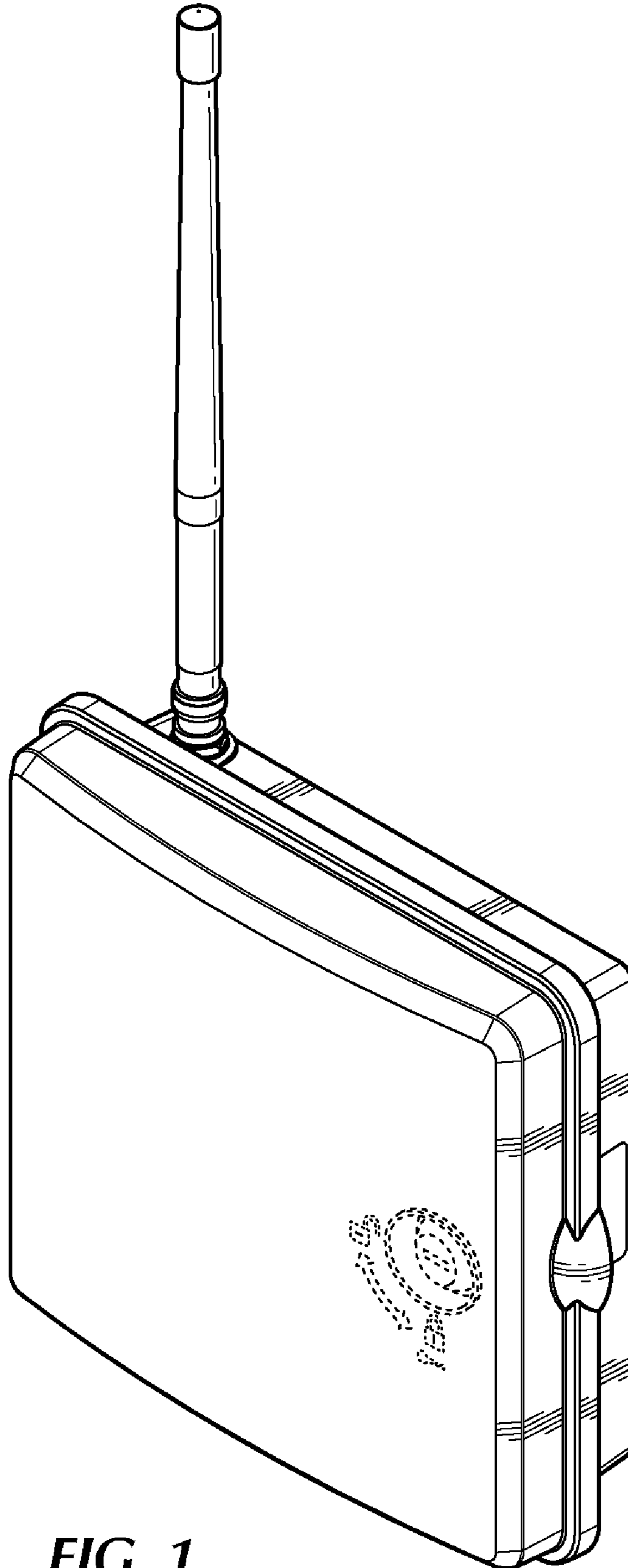


FIG. 1

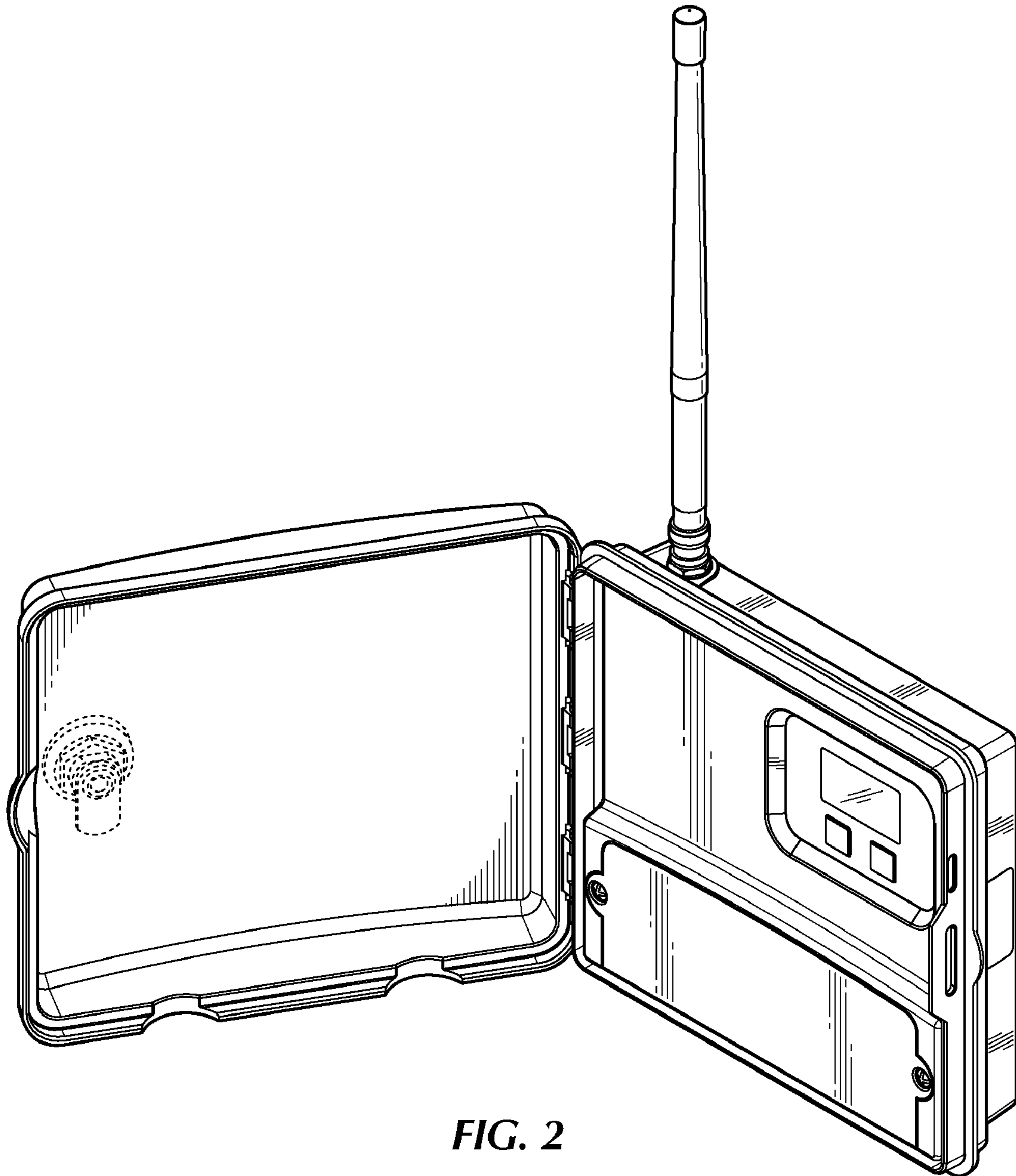


FIG. 2

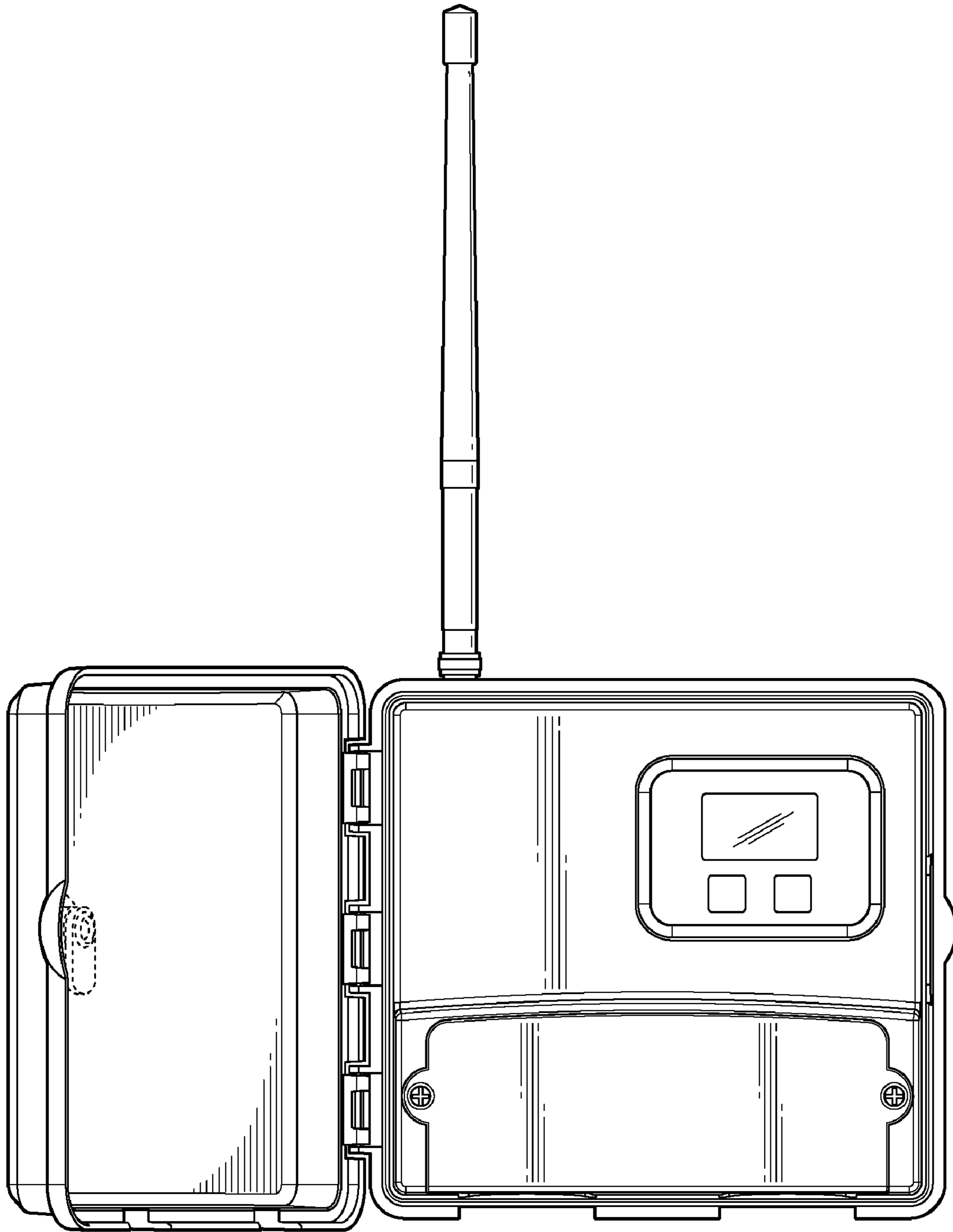


FIG. 3

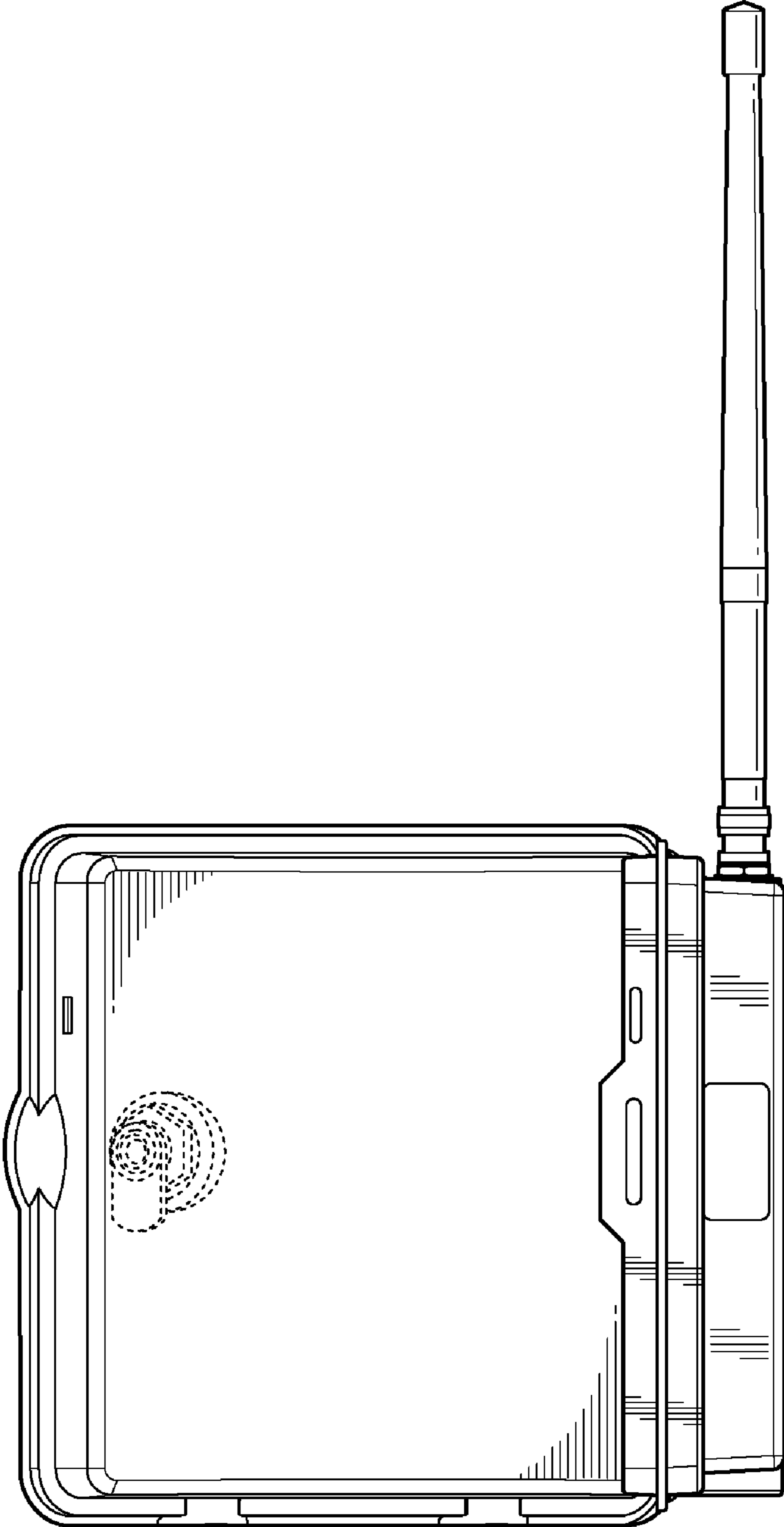


FIG. 4

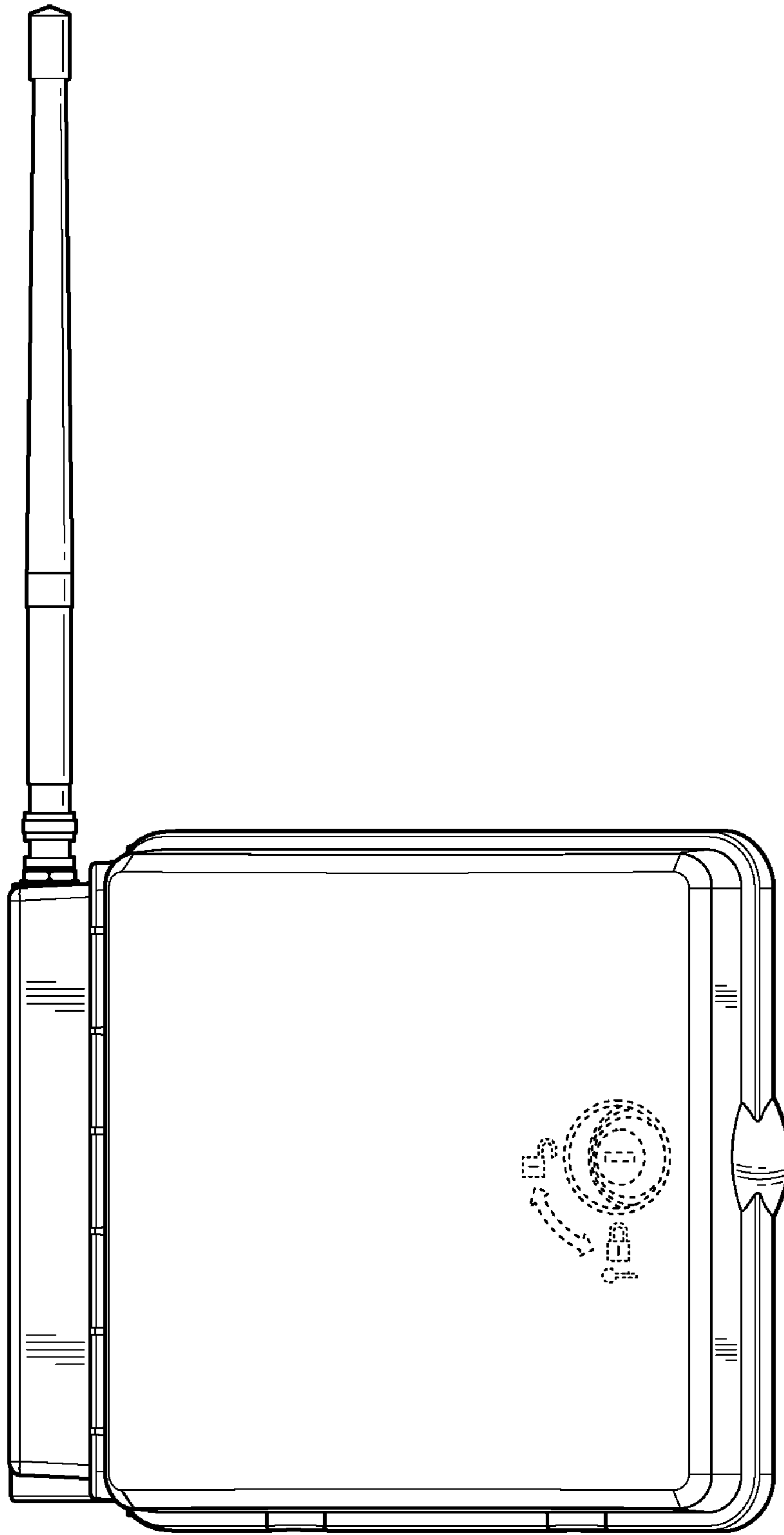


FIG. 5

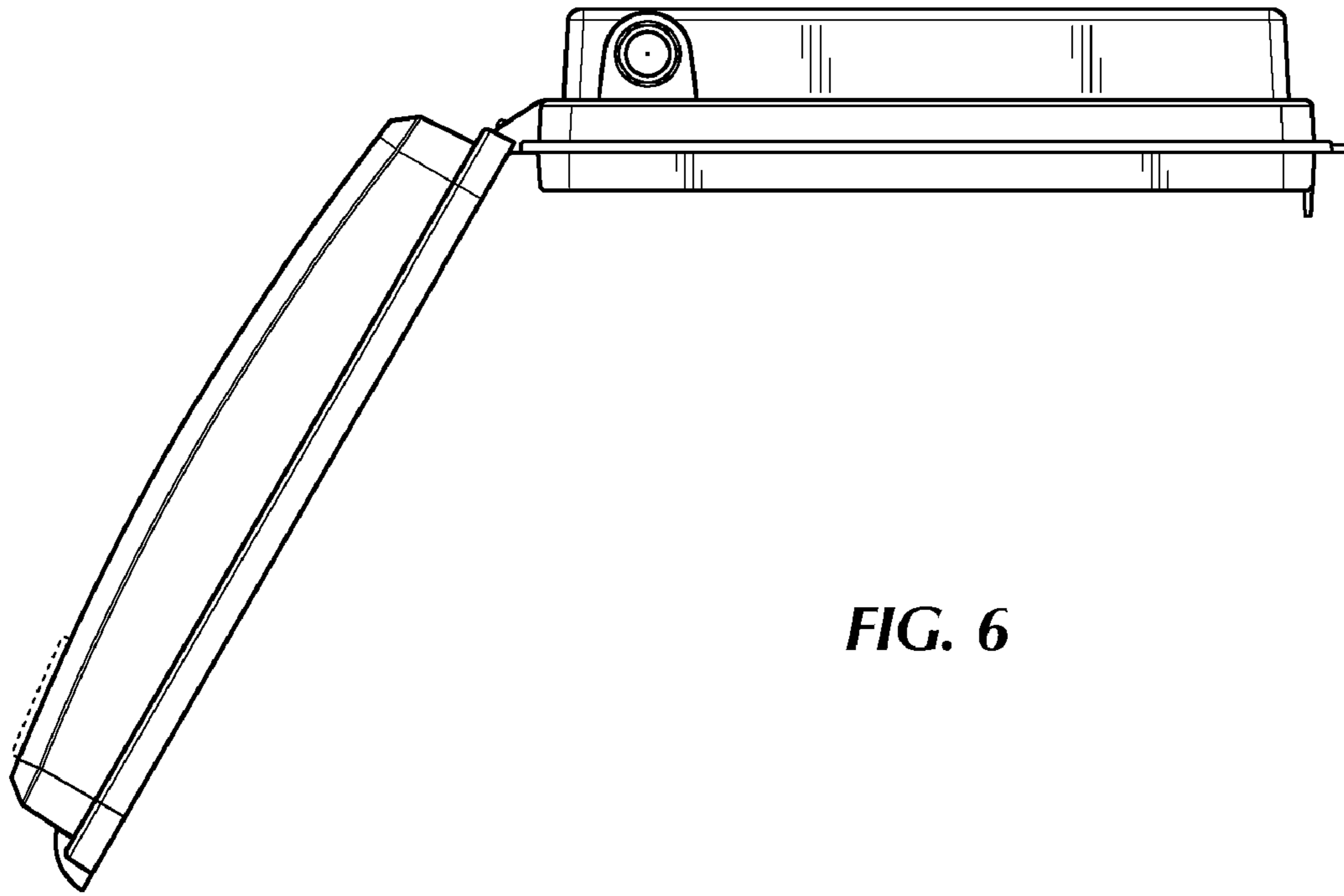


FIG. 6

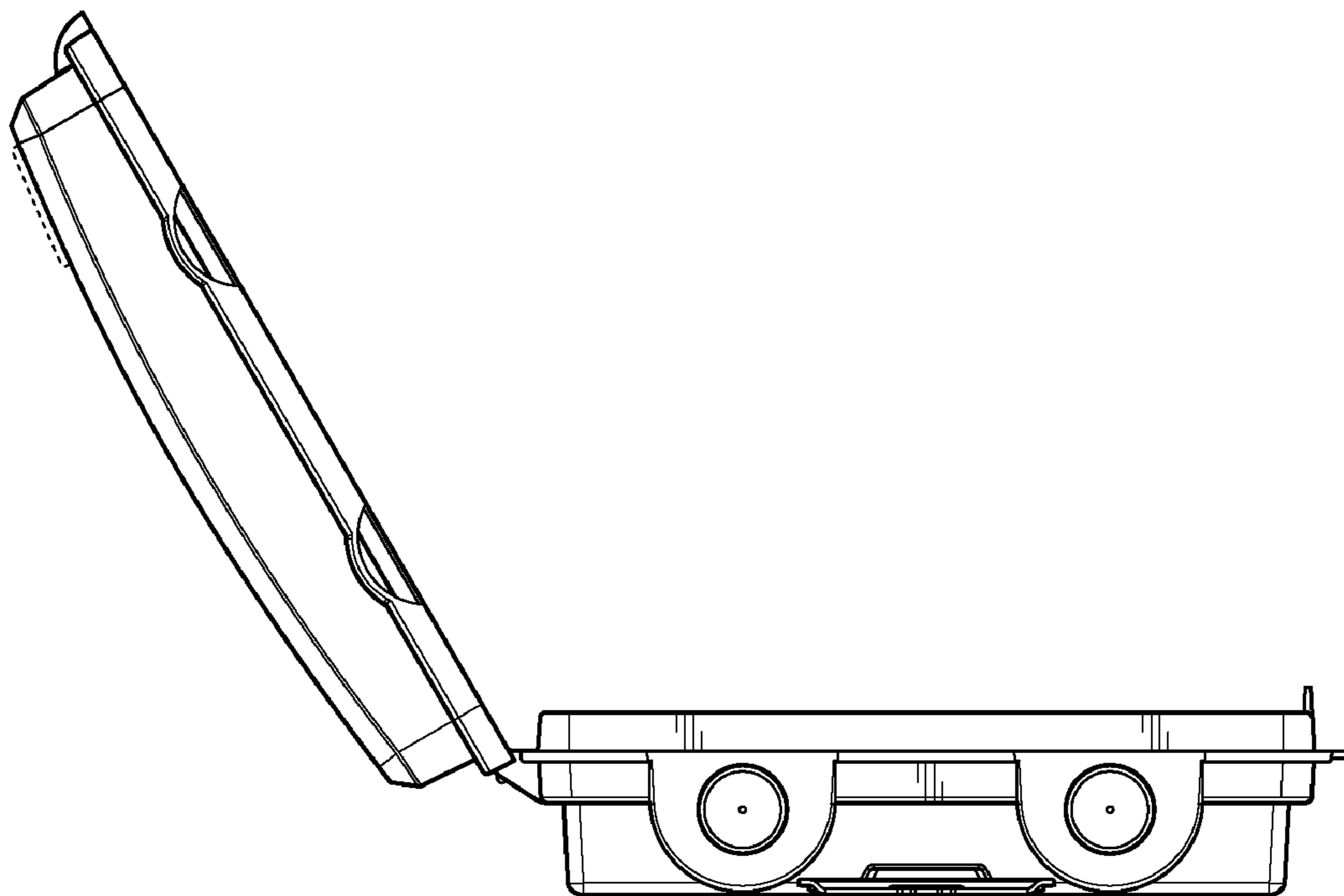


FIG. 7