



US00D581879S

(12) **United States Design Patent**
Dukerschein et al.

(10) **Patent No.:** **US D581,879 S**
(45) **Date of Patent:** **** Dec. 2, 2008**

(54) **WALL MOUNTABLE CONTROLLER**

(75) Inventors: **Jon Dukerschein**, Plano, TX (US);
Jomichael Porter, Addison, TX (US);
Ronnie D. Rowe, Garland, TX (US);
Rashid Skaf, Plano, TX (US)

(73) Assignee: **AMX LLC**, Richardson, TX (US)

(**) Term: **14 Years**

(21) Appl. No.: **29/270,392**

(22) Filed: **Dec. 20, 2006**

D413,867 S	9/1999	Mullet et al.
D416,910 S	11/1999	Vasquez
D423,508 S	4/2000	Nakajima
6,114,637 A	9/2000	Nakao et al.
D449,789 S	10/2001	Gunji et al.
D451,529 S	12/2001	Vasquez
D457,502 S	5/2002	Sykes et al.
D464,328 S	10/2002	Vasquez et al.
D464,948 S	10/2002	Vasquez et al.
D494,176 S	8/2004	Porter et al.
D494,182 S	8/2004	Singer et al.
D502,466 S	3/2005	Aupperle
D505,676 S	5/2005	Porter et al.
D520,495 S	5/2006	Dukerschein et al.
D537,417 S *	2/2007	Dukerschein et al. D13/164

Related U.S. Application Data

(62) Division of application No. 29/237,574, filed on Sep. 1, 2005, now Pat. No. Des. 537,417.

(51) **LOC (8) Cl.** **13-03**

(52) **U.S. Cl.** **D13/162**

(58) **Field of Classification Search** D13/162,
D13/164, 169, 170, 171; D10/108, 116,
D10/118; D8/353; 200/5 A, 293, 296, 297,
200/329, 333, 335, 339, 341, 520, 530, 537,
200/552; 220/241; 307/125, 139; 315/291-296
See application file for complete search history.

(56) **References Cited**

U.S. PATENT DOCUMENTS

D285,066 S	8/1986	Liss et al.
D294,566 S	3/1988	Boytor
5,015,829 A	5/1991	Eilert et al.
D327,255 S	6/1992	D'Aleo et al.
5,237,327 A	8/1993	Saitoh et al.
5,458,311 A	10/1995	Holbrook
D365,329 S	12/1995	Seymour et al.
D378,814 S	4/1997	Adams et al.
D380,737 S	7/1997	Weir et al.
D381,590 S	7/1997	Thoeni et al.
D390,211 S	2/1998	Yates et al.
D400,539 S	11/1998	Hipen
D404,391 S	1/1999	Herbstritt et al.
D406,830 S	3/1999	Herbstritt et al.

(Continued)

OTHER PUBLICATIONS

U.S. Appl. No. 29270392, filed Dec. 20, 2006, Dukerschein.
U.S. Appl. No. 29284318, filed Sep. 5, 2007, Rashid Skaf.
U.S. Appl. No. 29284321, filed Sep. 5, 2007, Rashid Skaf.
U.S. Appl. No. 29284322, filed Sep. 5, 2007, Rashid Skaf.
U.S. Appl. No. 29284323, filed Sep. 5, 2007, Rashid Skaf.
U.S. Appl. No. 60715330, filed Sep. 7, 2005, Farmer et al.

Primary Examiner—Selina Sikder

(74) *Attorney, Agent, or Firm*—Gardere Wynne Sewell LLP;
Karl L. Larson

(57) **CLAIM**

The ornamental design for a wall mountable controller, as shown and described.

DESCRIPTION

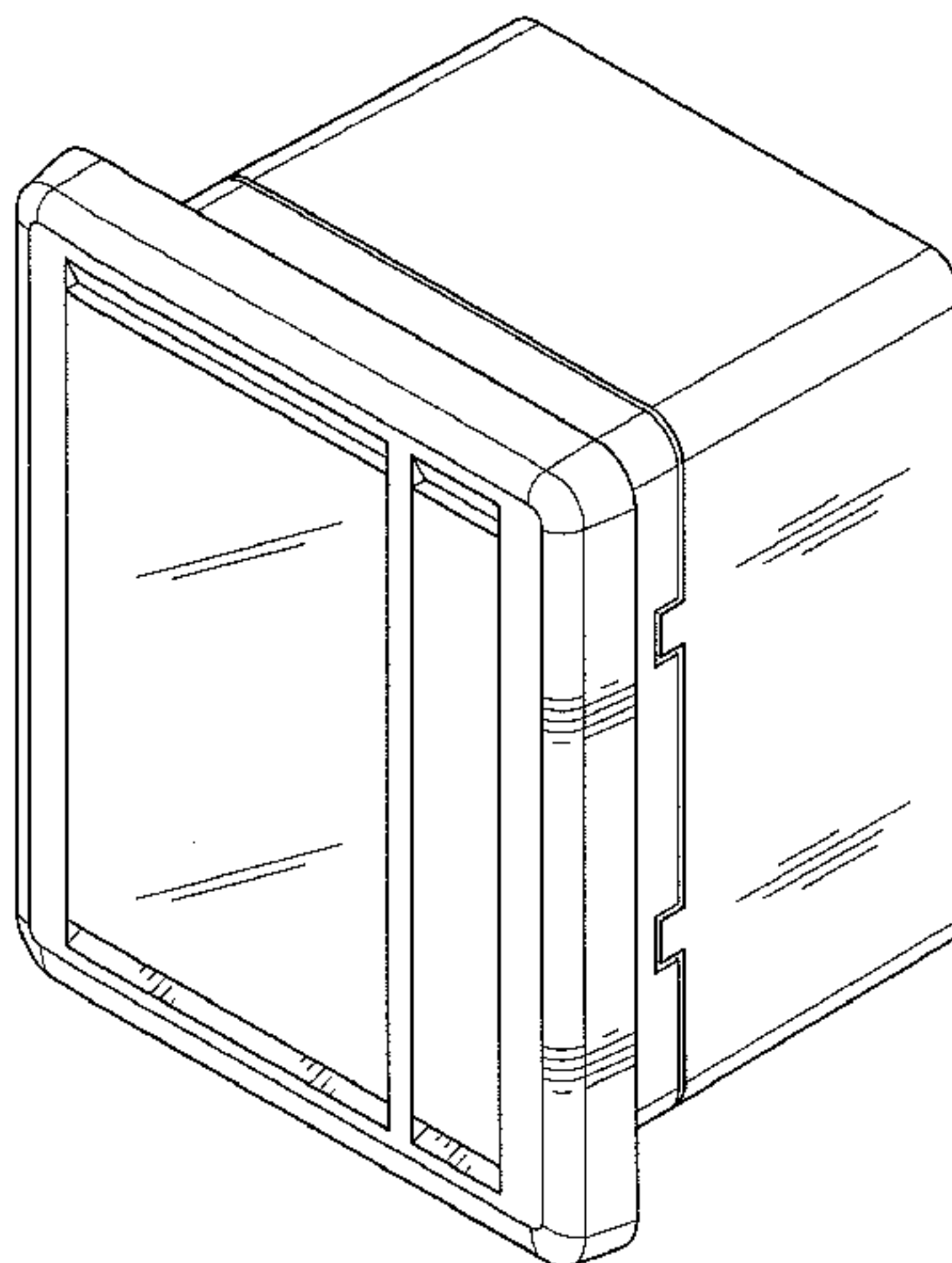
FIG. 1 is a perspective view of a wall mountable controller in accordance with our invention;

FIG. 2 is a front elevation view of the wall mountable controller shown in FIG. 1;

FIG. 3 is a right side view of the wall mountable controller shown in FIG. 1; and,

FIG. 4 is a top plan view of the wall mountable controller shown in FIG. 1.

1 Claim, 2 Drawing Sheets



US D581,879 S

Page 2

U.S. PATENT DOCUMENTS

7,414,193 B1 2/2007 Le
D549,710 S 8/2007 Hyneczek et al.

D571,675 S 6/2008 Skaf
2007/0054651 A1 3/2007 Farmer et al.

* cited by examiner

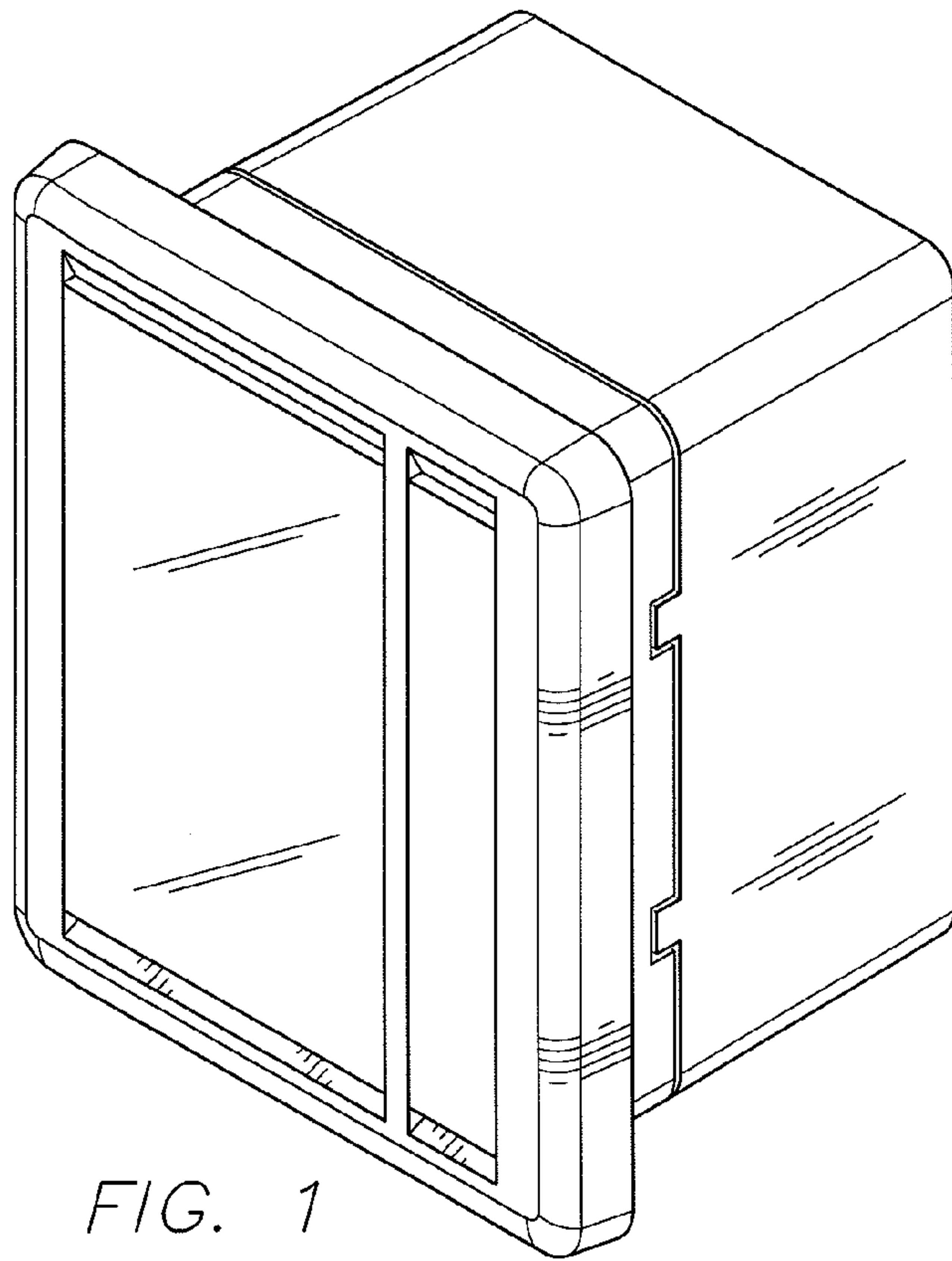


FIG. 1

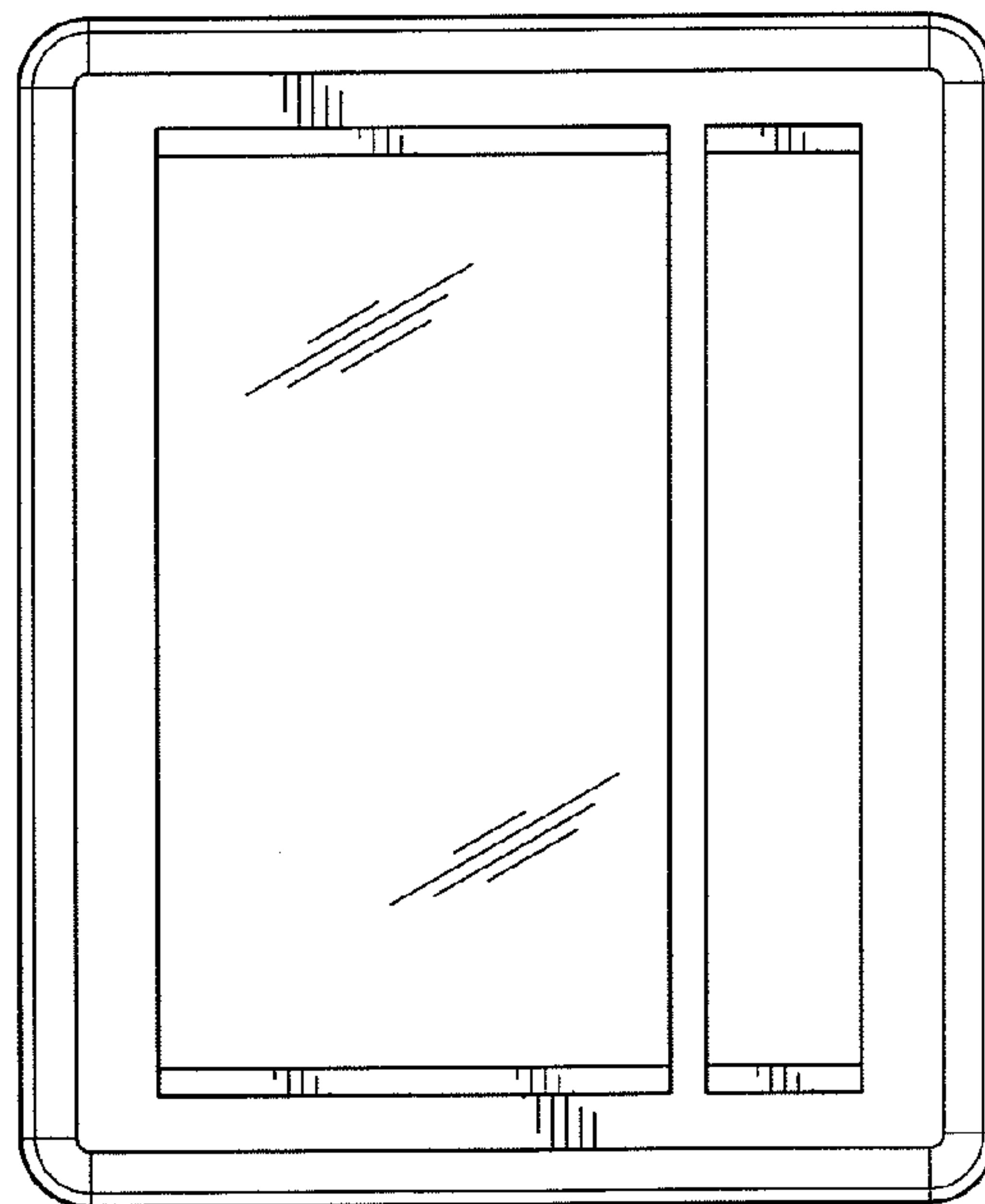


FIG. 2

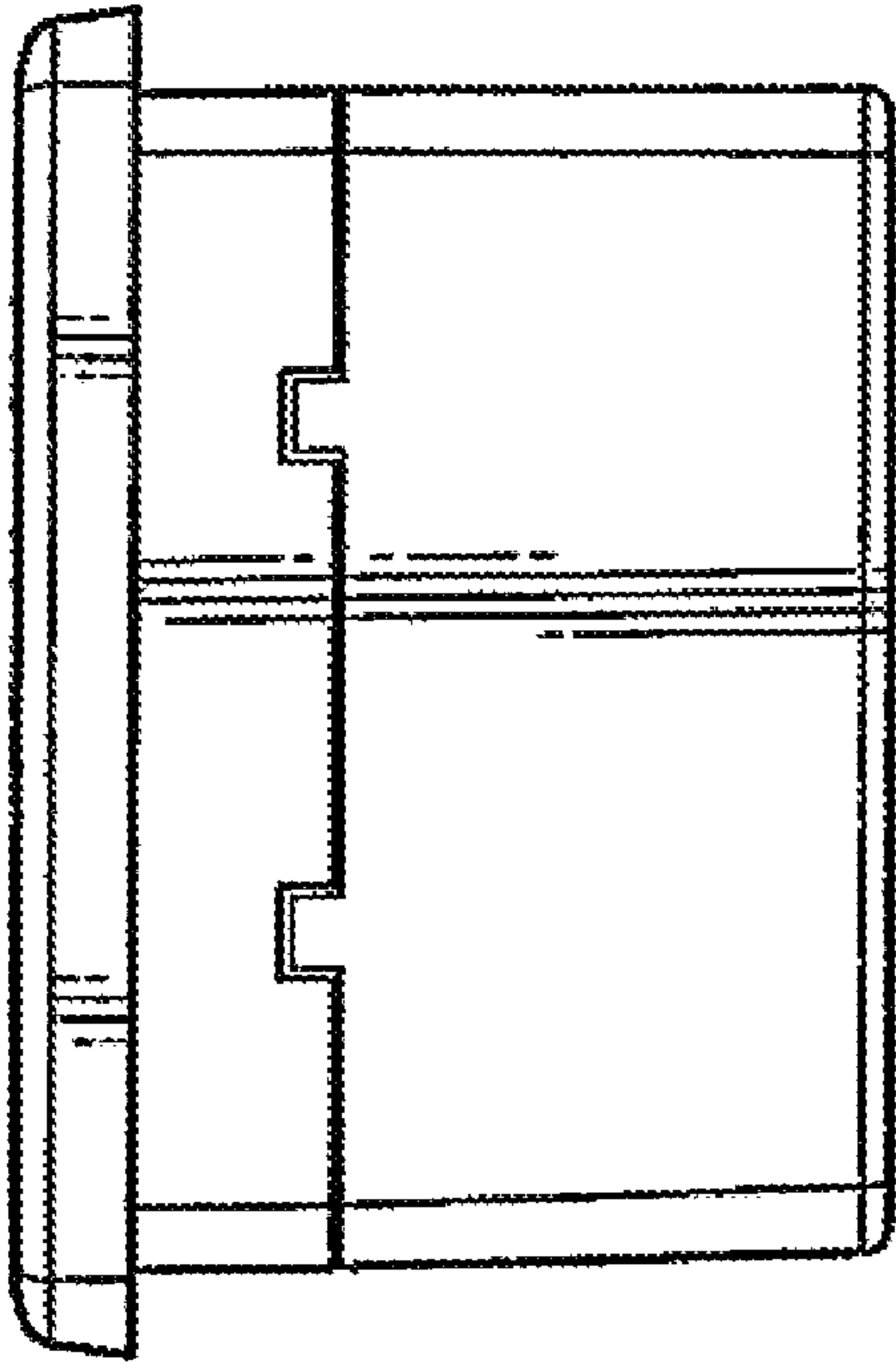


FIG. 3

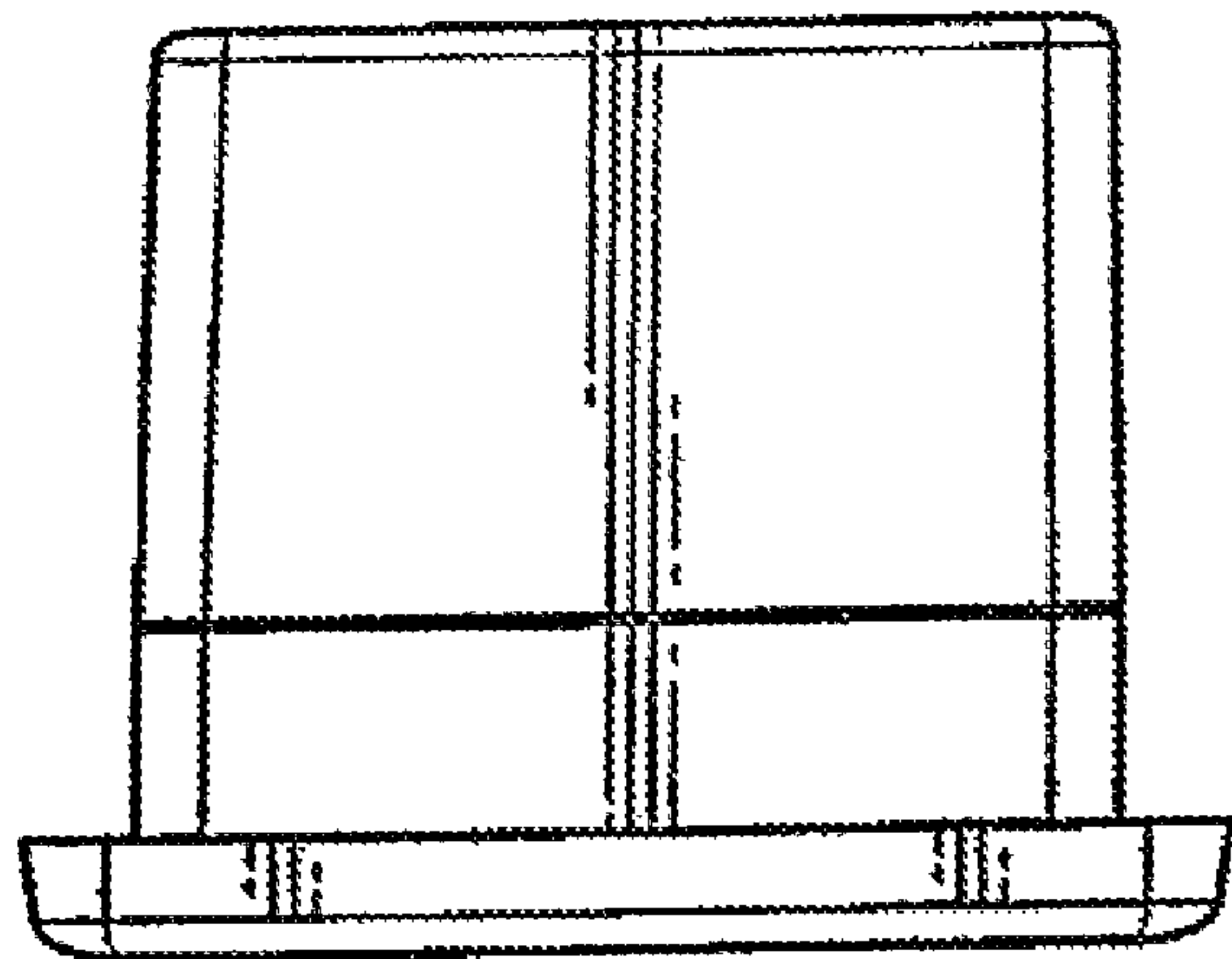


FIG. 4