



US00D581878S

(12) **United States Design Patent**
Liu

(10) **Patent No.:** **US D581,878 S**
(45) **Date of Patent:** **** Dec. 2, 2008**

(54) **DC PLUG APPARATUS**

(75) Inventor: **Yiu Ching Liu**, Portland, OR (US)

(73) Assignee: **Pacific Cornetta, Inc.**, Tualatin, OR (US)

(**) Term: **14 Years**

(21) Appl. No.: **29/292,656**

(22) Filed: **Oct. 22, 2007**

(51) **LOC (8) Cl.** **13-03**

(52) **U.S. Cl.** **D13/154**

(58) **Field of Classification Search** D13/110,
D13/118, 123, 133, 137.1–139.8, 141, 154,
D13/175; 439/678, 679, 692, 694
See application file for complete search history.

(56) **References Cited**

U.S. PATENT DOCUMENTS

D316,075 S *	4/1991	Tsubokura et al.	D13/123
D328,060 S *	7/1992	DeSantis	D13/154
D363,462 S *	10/1995	Varatta, Sr.	D13/154
D367,465 S *	2/1996	Becker	D13/147
D375,292 S *	11/1996	D'Amato	D13/137.1
D382,540 S *	8/1997	Hahn	D13/138.1
5,803,754 A *	9/1998	Wilhelm	439/102
D460,735 S *	7/2002	Verfuert	D13/137.4
D535,947 S *	1/2007	Suckle et al.	D13/138.2

D549,651 S *	8/2007	Mancari et al.	D13/138.2
D562,766 S *	2/2008	Yang et al.	D13/110
2003/0148665 A1 *	8/2003	Su	439/692

* cited by examiner

Primary Examiner—Daniel D Bui

Assistant Examiner—Thomas J Johannes

(74) *Attorney, Agent, or Firm*—Steven J. Adamson

(57) **CLAIM**

I claim the ornamental design for a DC plug apparatus, as shown and described herein.

DESCRIPTION

FIG. 1 is a perspective view of a DC plug apparatus, showing my new design;

FIG. 2 is a left side elevation view thereof;

FIG. 3 is a right side elevation view thereof;

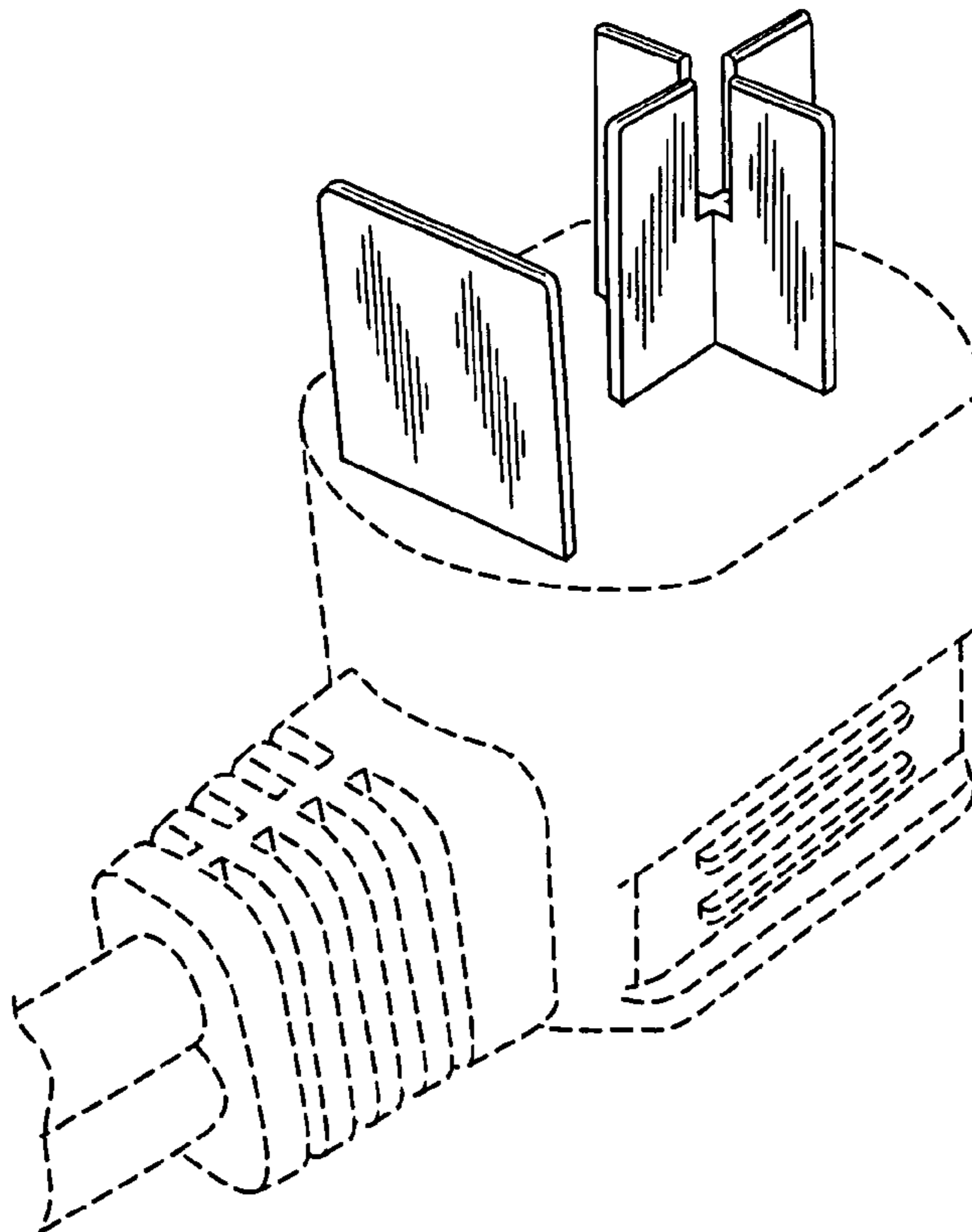
FIG. 4 is a top plan view thereof;

FIG. 5 is a front elevation view thereof; the back elevation view being a mirror image thereto; and,

FIG. 6 is a bottom plan view thereof.

The broken line portion of the figure drawings is included to show unclaimed subject matter only and forms no part of the claimed design.

1 Claim, 2 Drawing Sheets



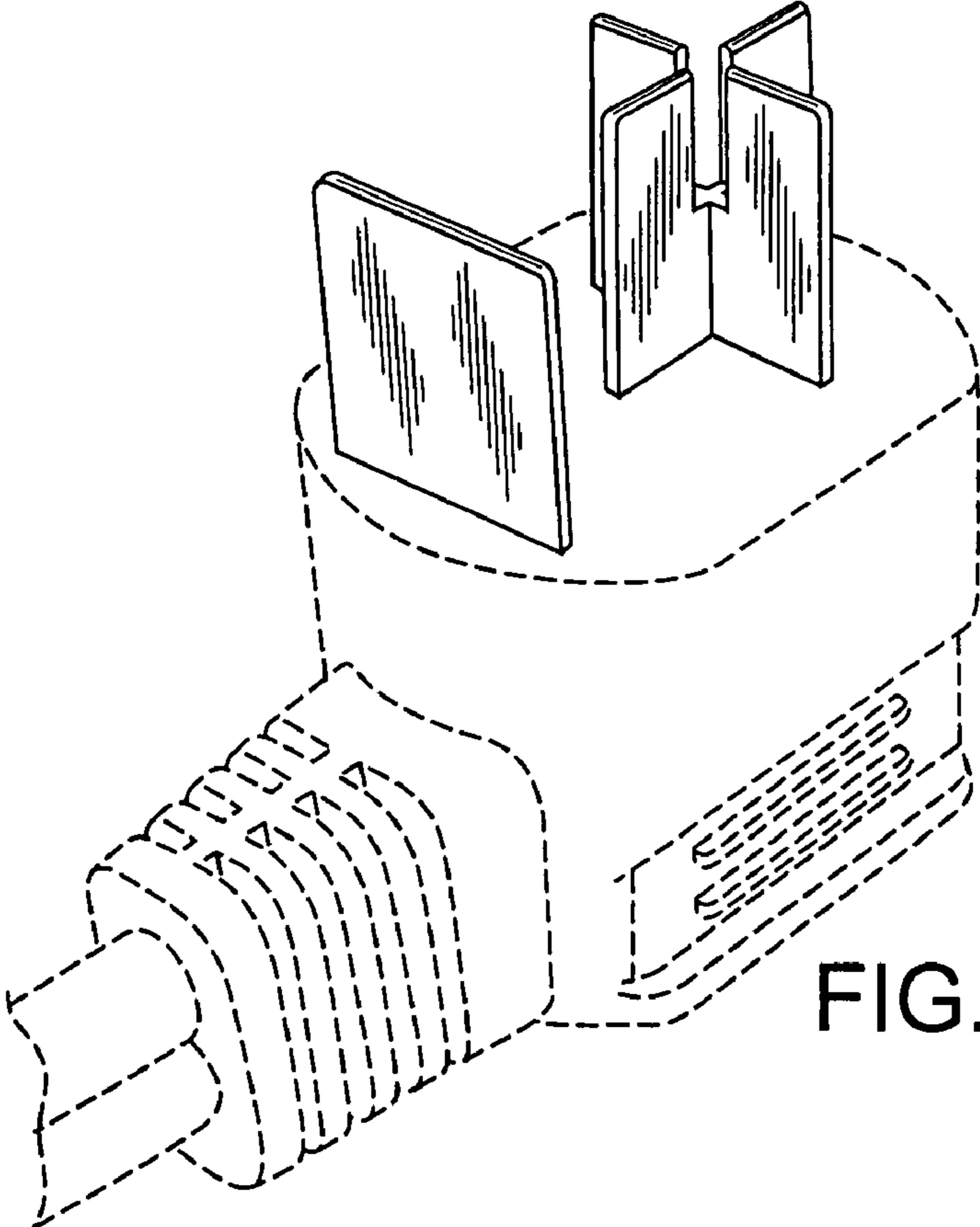


FIG. 1

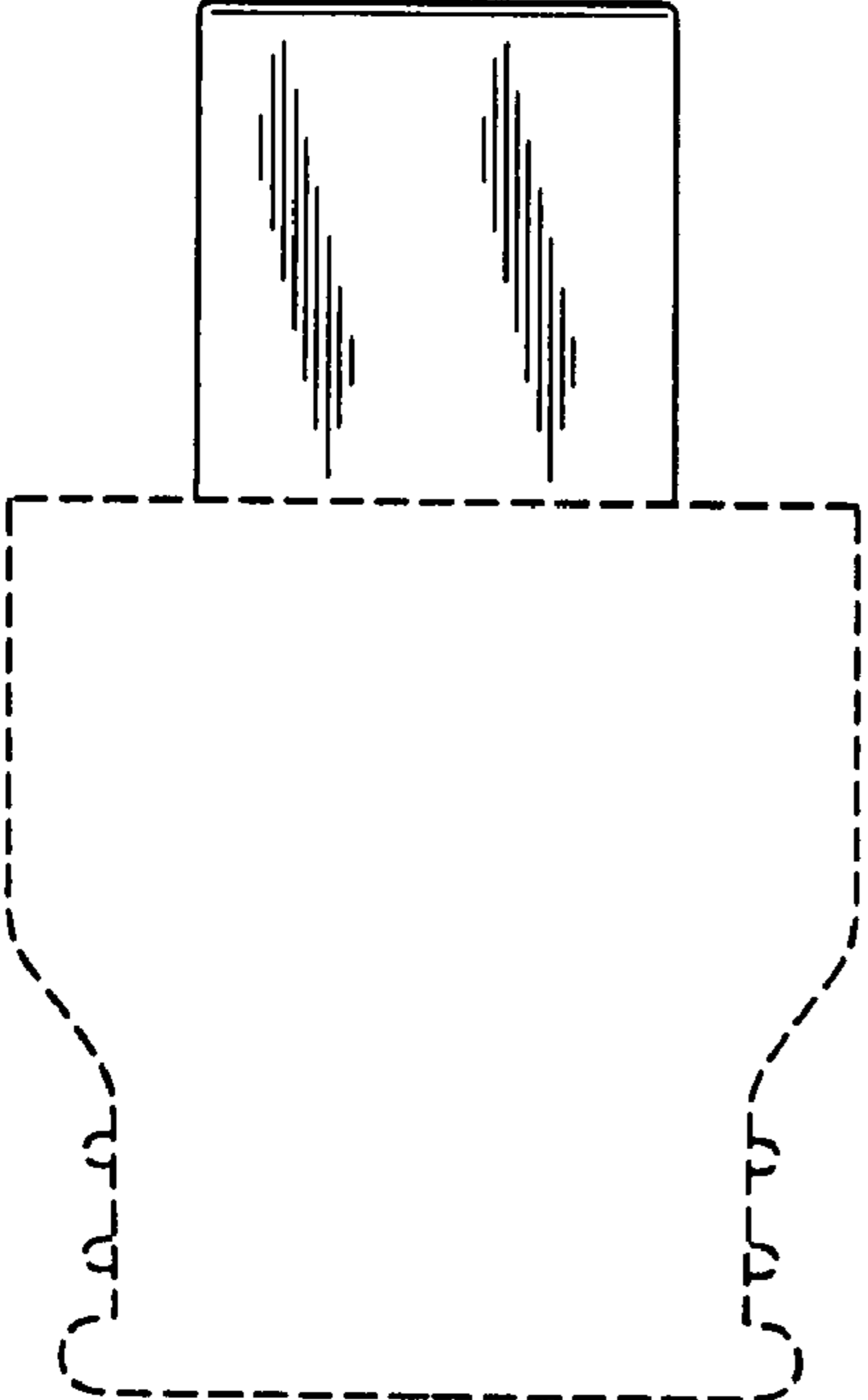


FIG. 2

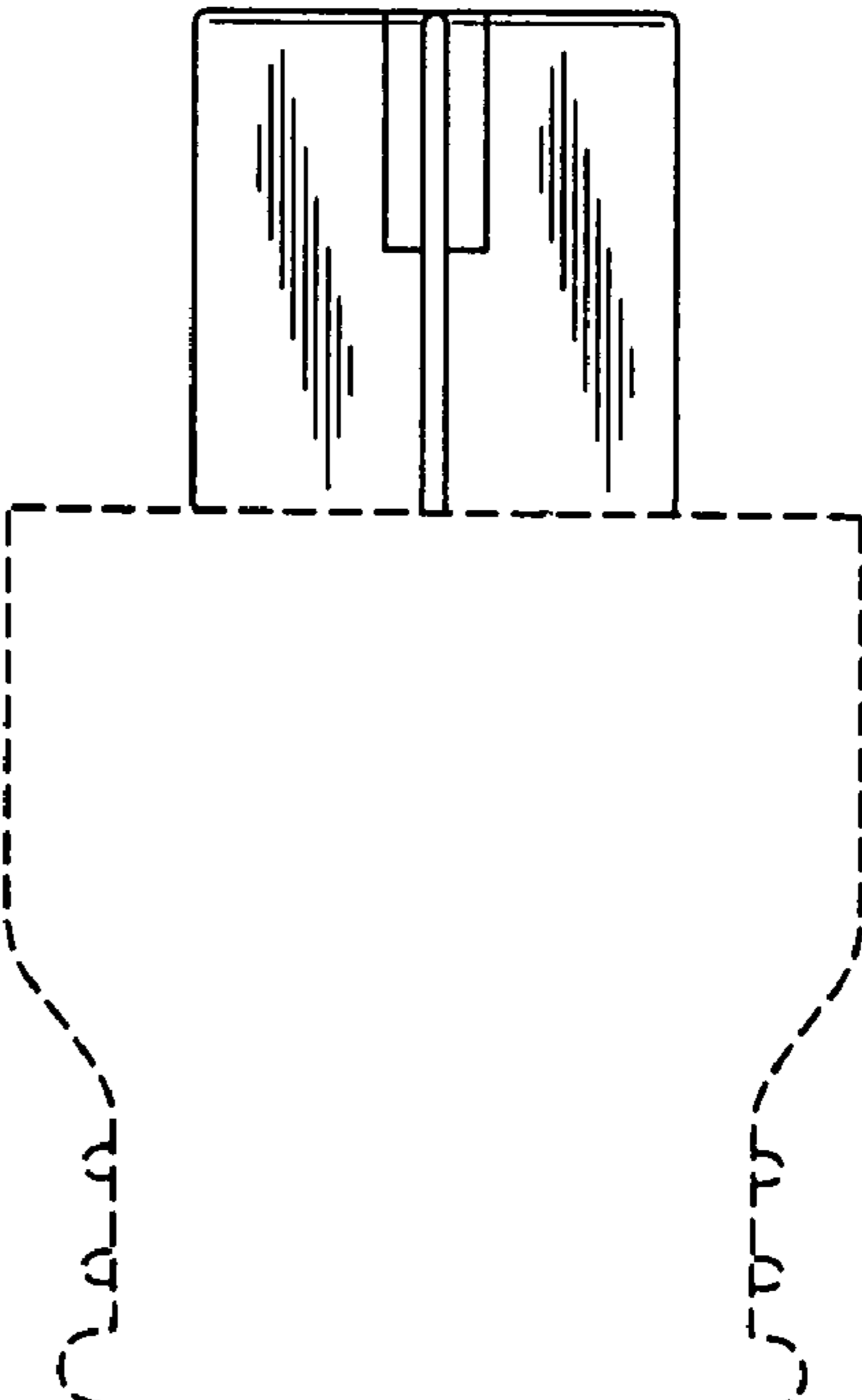


FIG. 3

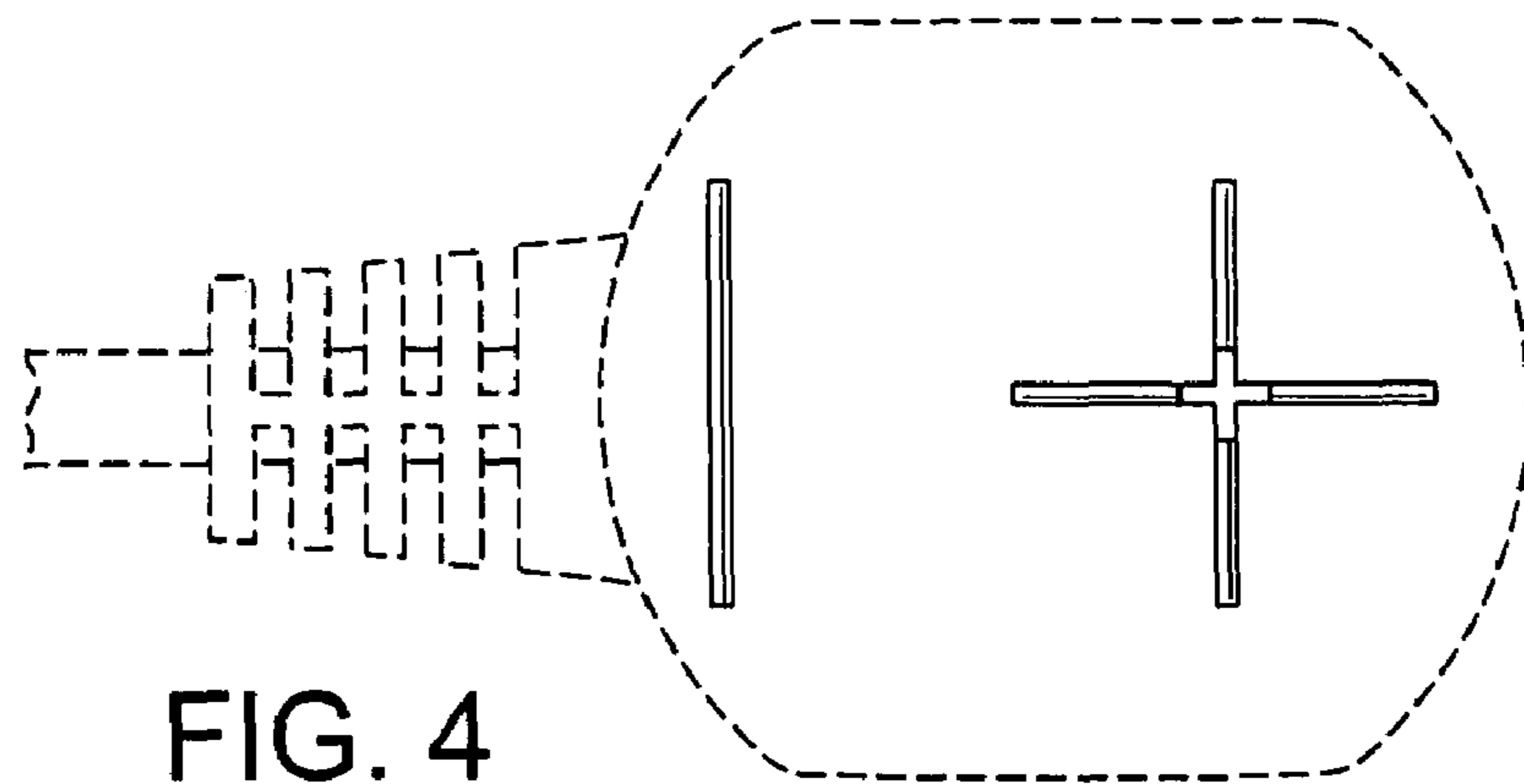


FIG. 4

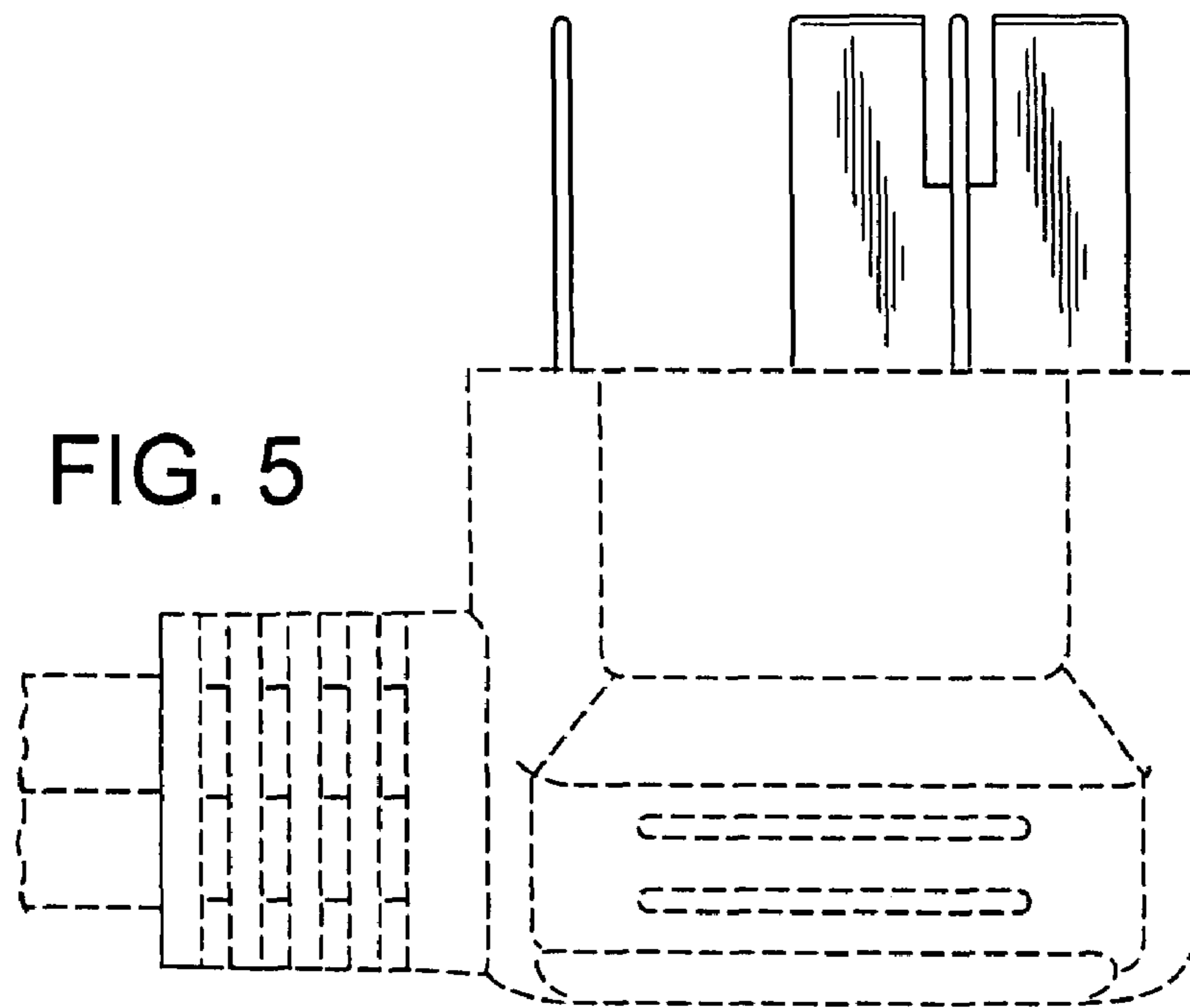


FIG. 5

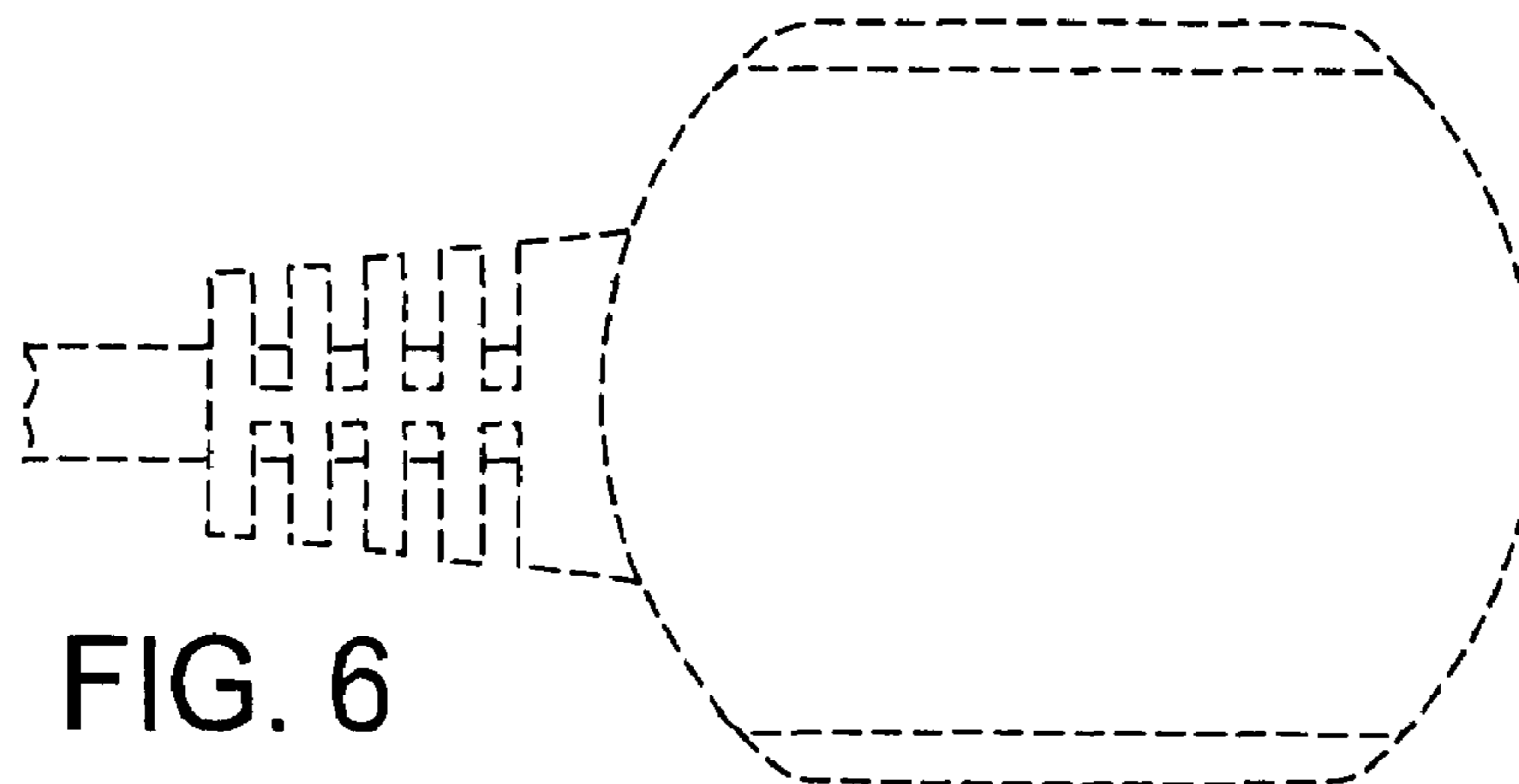


FIG. 6