



US00D581877S

(12) **United States Design Patent**
Kiely

(10) **Patent No.:** **US D581,877 S**
(45) **Date of Patent:** **** Dec. 2, 2008**

(54) **ELECTRICAL CONNECTOR**

(75) Inventor: **Kenneth M. Kiely**, Milford, CT (US)

(73) Assignee: **Bridgeport Fittings, Inc.**, Stratford, CT (US)

(**) Term: **14 Years**

(21) Appl. No.: **29/273,350**

(22) Filed: **Mar. 2, 2007**

(51) **LOC (8) Cl.** **13-03**

(52) **U.S. Cl.** **D13/151; D13/133; D13/149**

(58) **Field of Classification Search** D13/133,
D13/149, 151, 154, 184, 199; 439/92, 142,
439/320, 535, 557, 567, 587; D8/330-331,
D8/382-383, 394-395; 248/49, 74.1, 62-63;
174/65 R, 65 G, 68.1, 68.3, 69, 71 R, 72 C
See application file for complete search history.

(56) **References Cited**

U.S. PATENT DOCUMENTS

| | | | | | |
|-----------|-----|---------|-----------------|-------|------------|
| 4,214,806 | A * | 7/1980 | Kraft | | 439/620.21 |
| D271,196 | S * | 11/1983 | Tetreault | | D13/133 |
| D319,813 | S * | 9/1991 | Kozono | | D13/133 |
| D326,640 | S * | 6/1992 | Ohkura et al. | | D13/133 |
| D327,869 | S * | 7/1992 | Nagasaka et al. | | D13/133 |
| D328,278 | S * | 7/1992 | Nagasaka et al. | | D13/133 |
| 5,266,045 | A * | 11/1993 | Yamamoto et al. | | 439/275 |

| | | | | | |
|-----------|------|---------|--------------|-------|---------|
| D404,362 | S * | 1/1999 | Auray et al. | | D13/152 |
| D476,880 | S * | 7/2003 | Segall | | D8/382 |
| 6,916,988 | B1 * | 7/2005 | Auray et al. | | 174/665 |
| D530,678 | S * | 10/2006 | Kiely | | D13/149 |

* cited by examiner

Primary Examiner—Daniel D Bui

Assistant Examiner—Thomas J Johannes

(74) *Attorney, Agent, or Firm*—Melvin I. Stoltz

(57) **CLAIM**

The ornamental design for an electrical connector, as shown and described.

DESCRIPTION

FIG. 1 is a perspective view of the electrical connector of my design;

FIG. 2 is a rear elevational view thereof;

FIG. 3 is a front elevational view thereof;

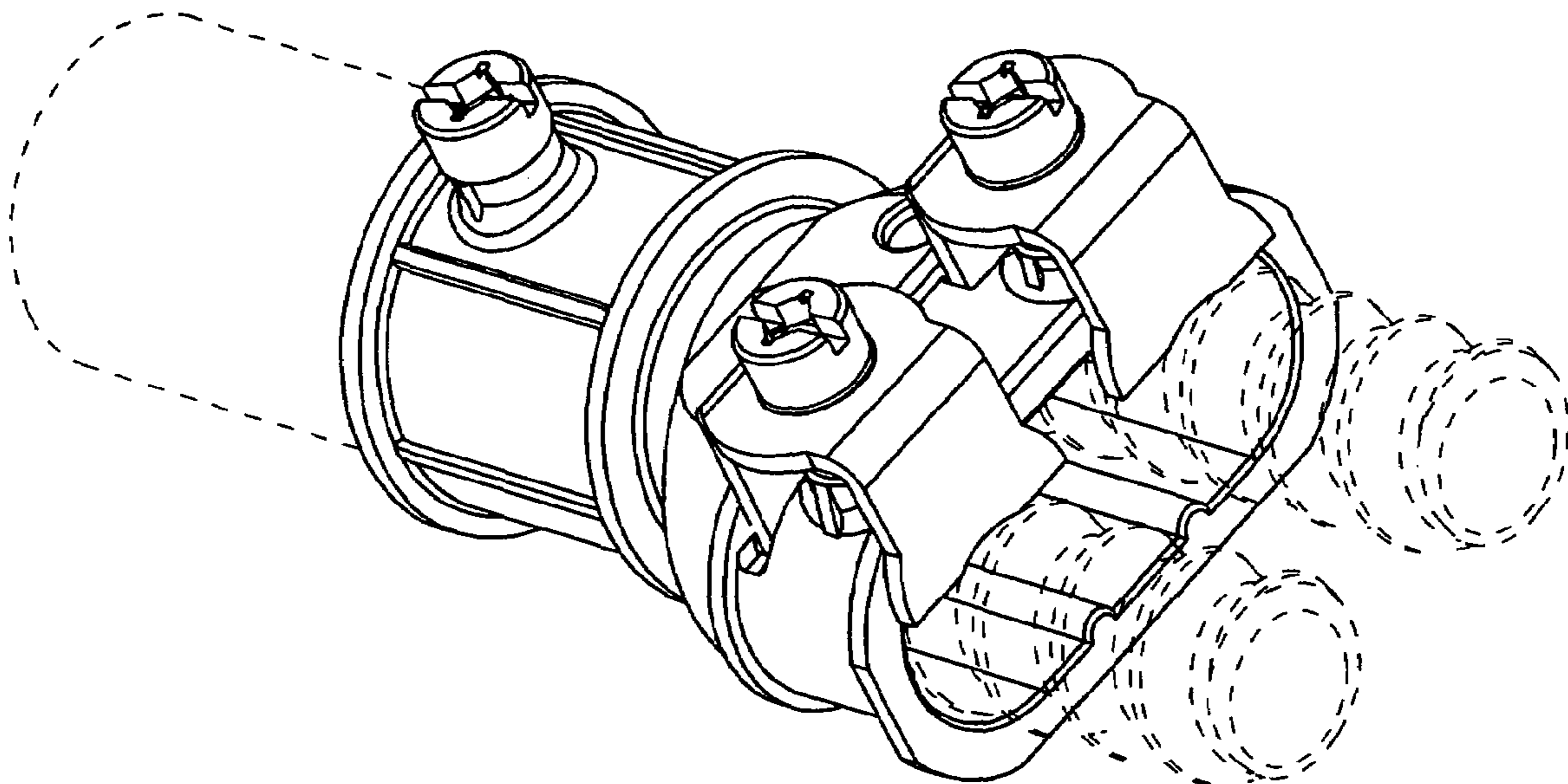
FIG. 4 is a side elevational view thereof; the opposite side being identical in appearance;

FIG. 5 is a top plan view thereof; and,

FIG. 6 is a bottom plan view thereof.

The broken line portion of the figure drawings is included to show unclaimed subject matter in relation to the electrical connector and forms no part of the claimed design.

1 Claim, 3 Drawing Sheets



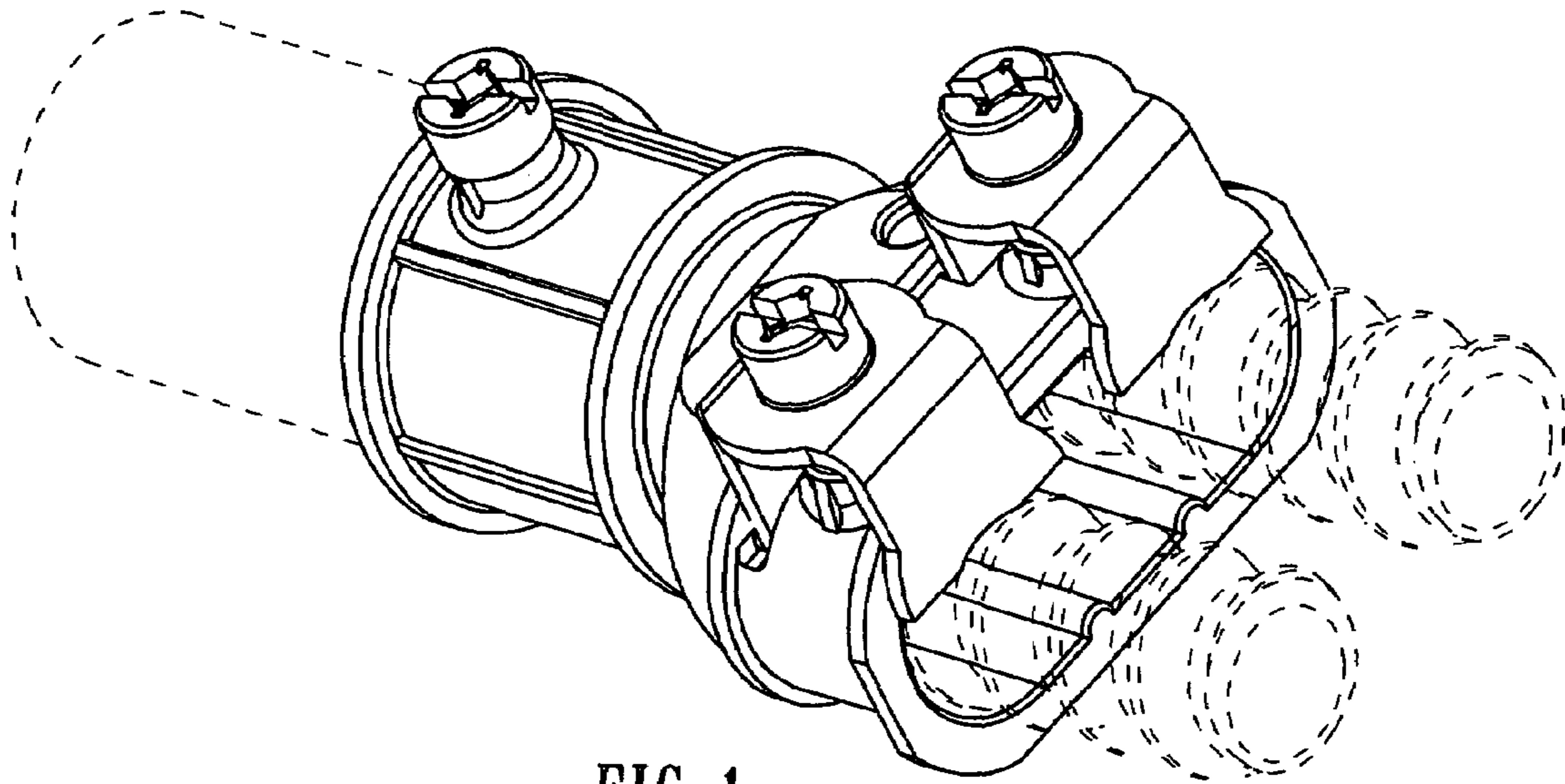


FIG. 1

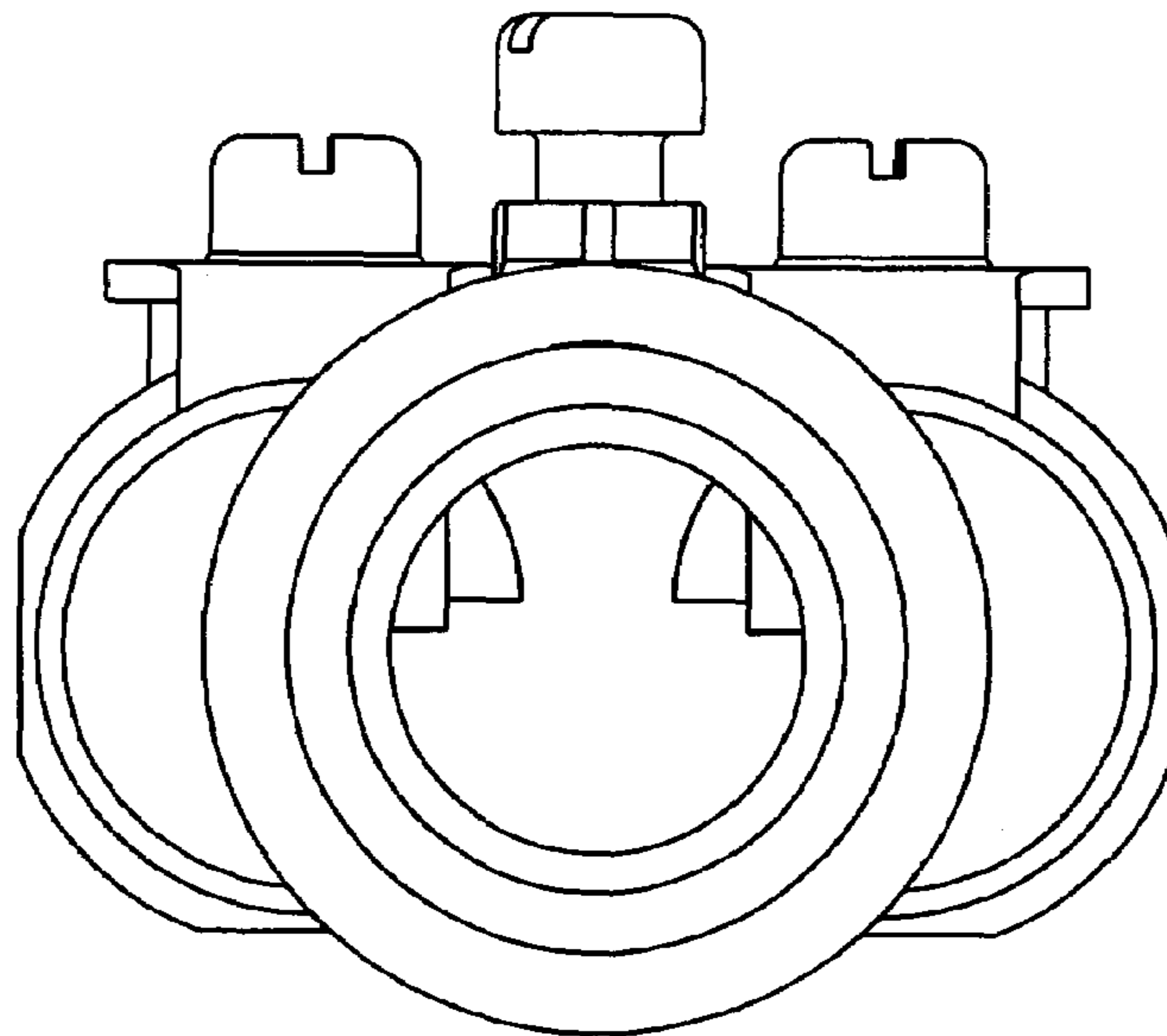


FIG. 2

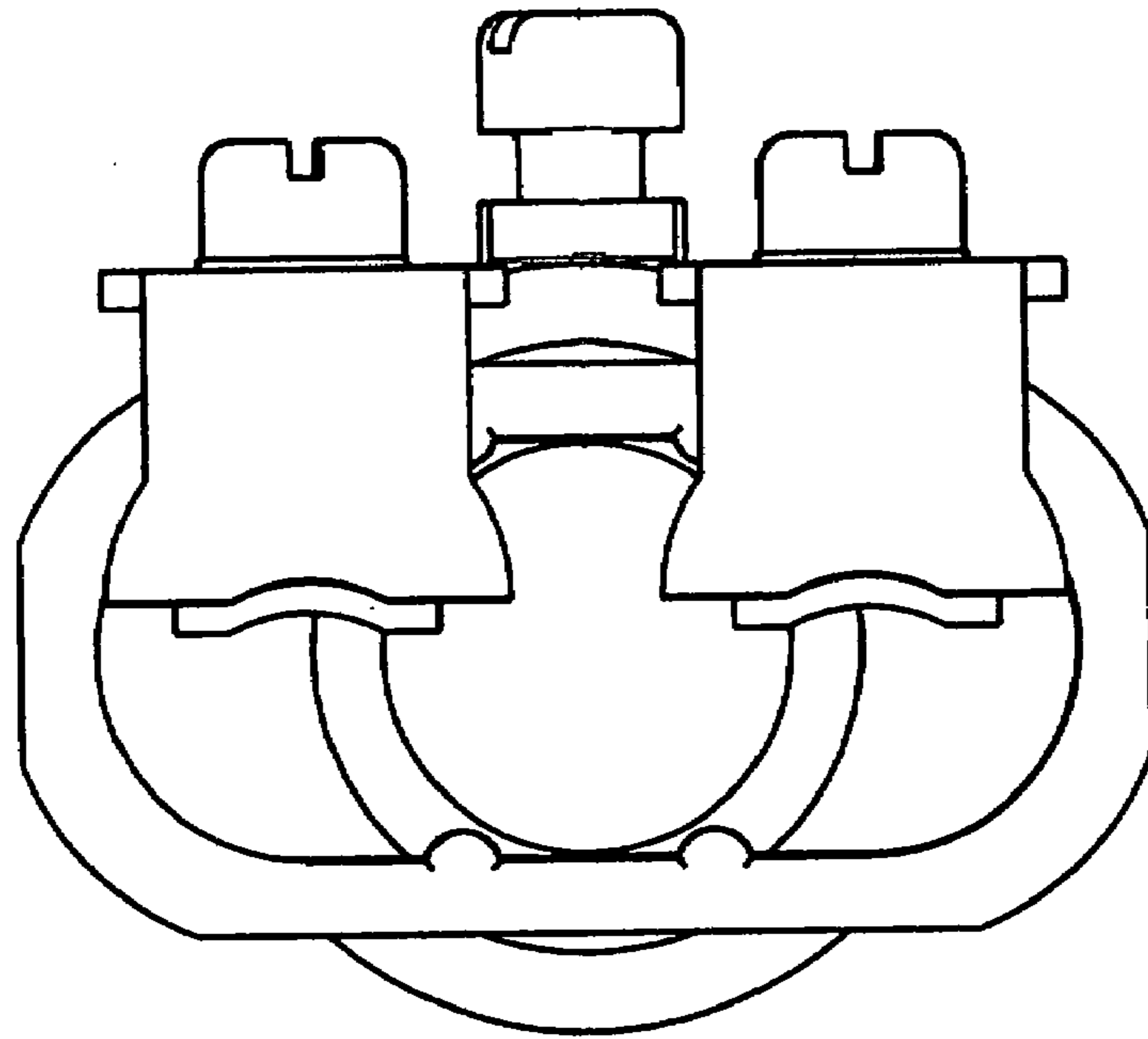


FIG. 3

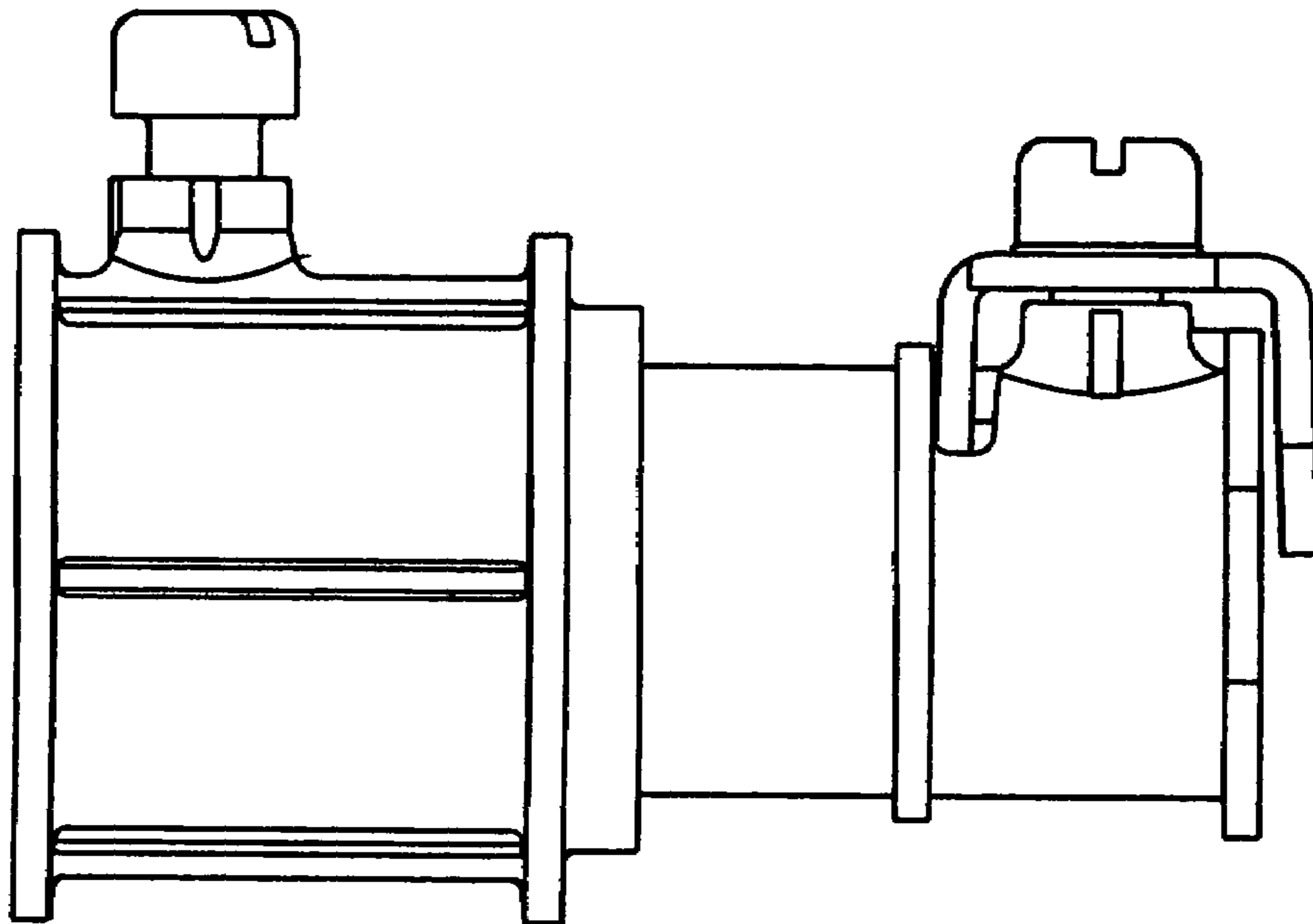


FIG. 4

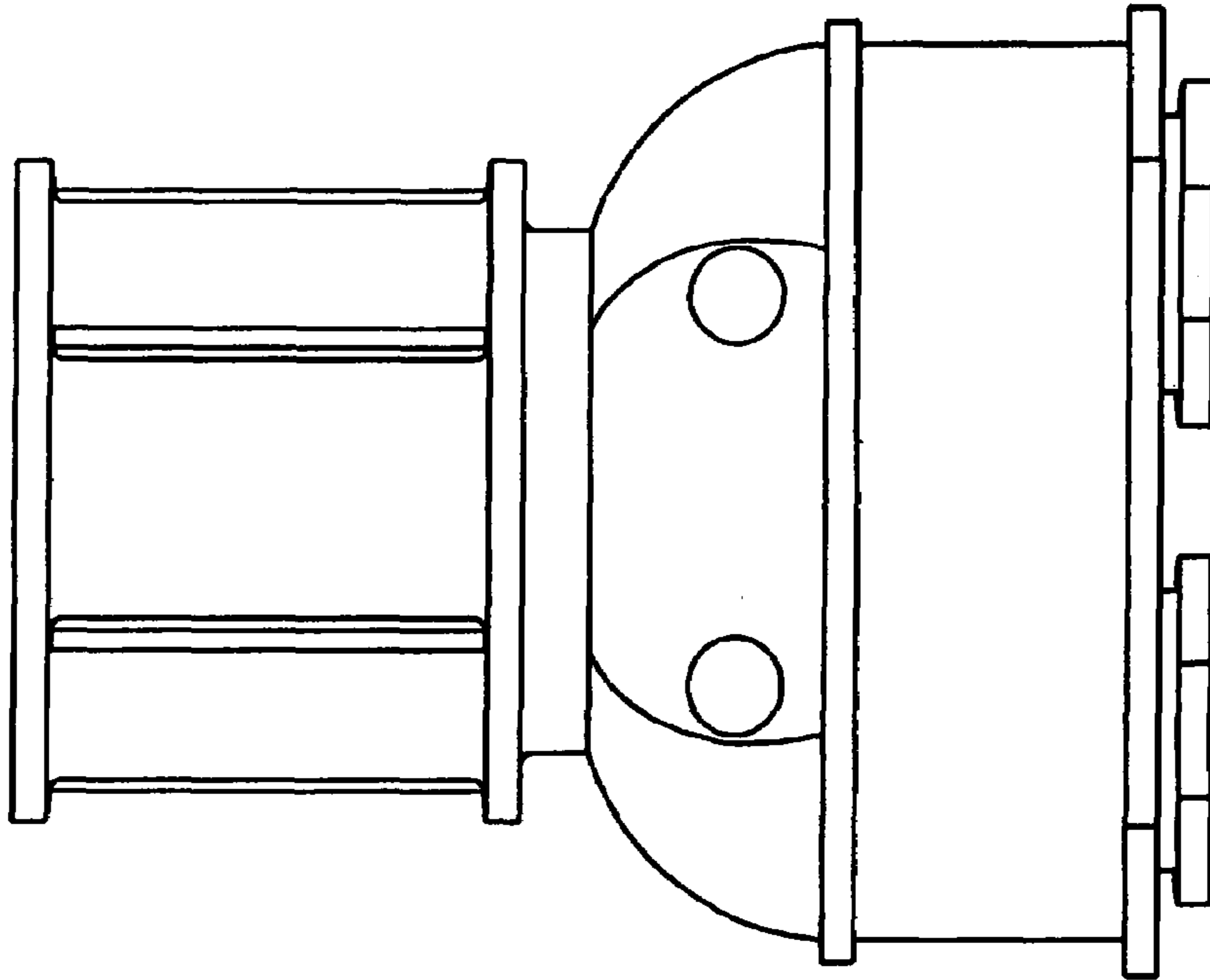


FIG. 6

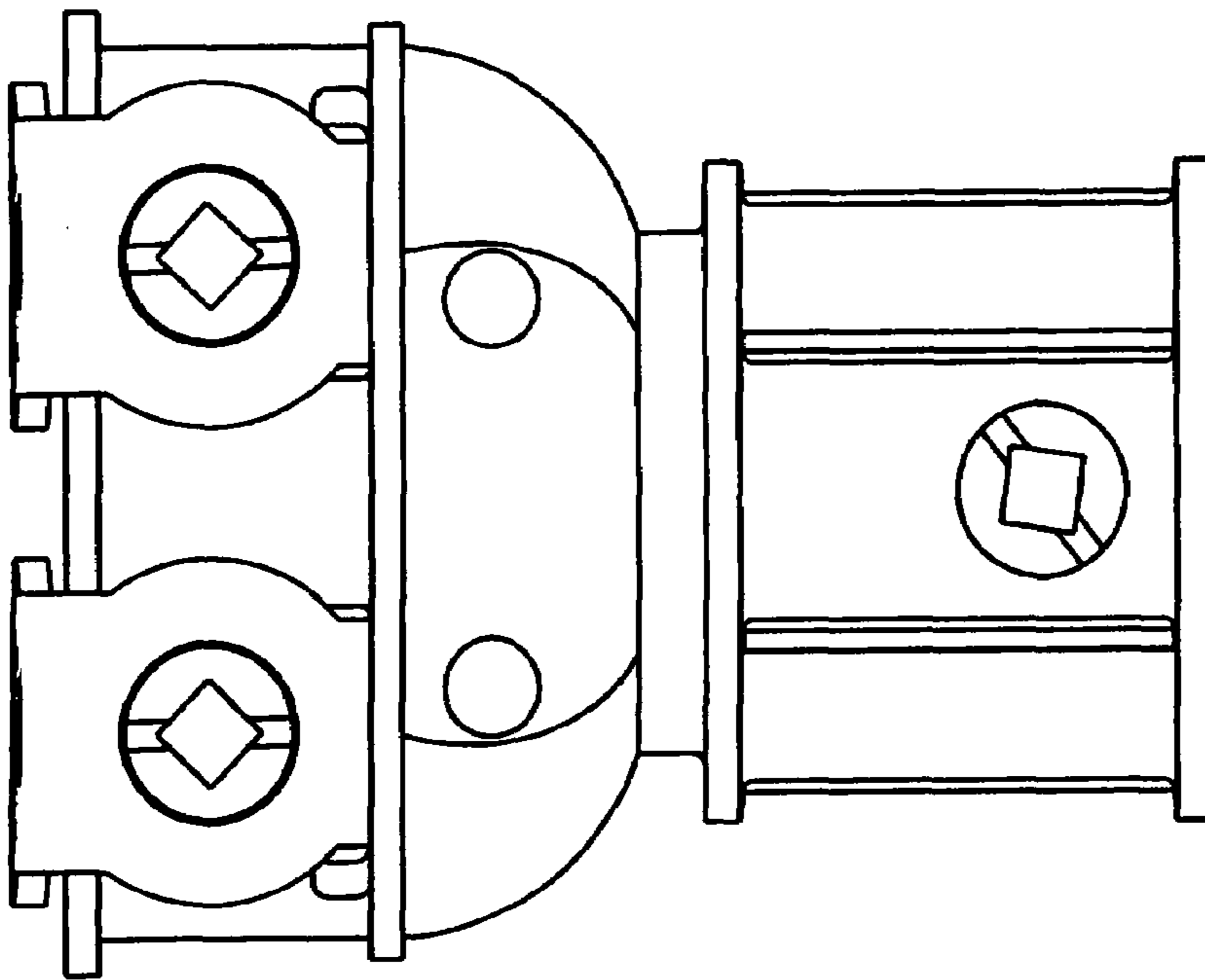


FIG. 5