



US00D581869S

(12) **United States Design Patent**
Zenk

(10) **Patent No.:** **US D581,869 S**

(45) **Date of Patent:** **** Dec. 2, 2008**

(54) **CABLE END CONNECTION**

(75) Inventor: **Petra Zenk**, Landsberg (DE)

(73) Assignee: **Pfeifer Holding GmbH & Co. KG**,
Memmingen (DE)

(**) Term: **14 Years**

(21) Appl. No.: **29/271,931**

(22) Filed: **Jan. 30, 2007**

(30) **Foreign Application Priority Data**

Aug. 8, 2006 (EM) 000579339

(51) **LOC (8) Cl.** **13-03**

(52) **U.S. Cl.** **D13/133; D8/356**

(58) **Field of Classification Search** D13/133,
D13/149, 154, 199; 439/452, 883; D8/356;
403/122, 268, 269, 327, 78, 164, 165; 174/85
See application file for complete search history.

(56) **References Cited**

U.S. PATENT DOCUMENTS

| | | | | | |
|--------------|------|---------|-----------------|-------|---------|
| 1,466,127 | A * | 8/1923 | Gottschalt | | 403/248 |
| 2,668,280 | A * | 2/1954 | Dupre | | 439/452 |
| 2,775,747 | A * | 12/1956 | Reischer et al. | | 439/883 |
| 3,825,356 | A * | 7/1974 | Crook, Jr. | | 403/122 |
| 4,043,690 | A * | 8/1977 | Browne | | 403/268 |
| D326,601 | S * | 6/1992 | Smith | | D8/356 |
| 5,816,732 | A * | 10/1998 | Nissen | | 403/327 |
| D423,913 | S * | 5/2000 | Dougan, Jr. | | D8/356 |
| 6,338,590 | B1 * | 1/2002 | Stauske et al. | | 403/269 |
| 6,554,524 | B1 * | 4/2003 | Smith | | 403/78 |
| 2004/0018042 | A1 * | 1/2004 | Smith | | 403/78 |

FOREIGN PATENT DOCUMENTS

| | | |
|----|-------------|---------|
| DE | 93 00 483.4 | 7/1993 |
| DE | 297 05 766 | 10/1997 |

| | | |
|----|------------|--------|
| DE | 297 15 979 | 1/1998 |
| DE | 197 08 029 | 9/1998 |
| EP | 0 672 844 | 9/1995 |
| EP | 0 785 374 | 7/1997 |
| EP | 0 978 666 | 2/2000 |

OTHER PUBLICATIONS

Pfeifer, Cable connector data sheet, 2 pages.
Bridon Structural Systems, "Swaged Adjustable Fork Socket (SW-AF)" and "Swaged Fork Sockets (SW-F)," data sheet, 2 pages.
Brugg Seilbautechnik, Gabelkopf, "Open Swaged Socket" and "Turnbuckle with Open Socket," data sheet, 2 pages.
Macalloy, Ltd., "520 Bar System" and "Guy Linking Stainless Cable Systems," data sheet, 4 pages.
Muncy Machine & Tool Company, "Swage Sockets—Open," data sheet, 2 pages.
Jakob AG, Cable connector data sheet, 1 page.

* cited by examiner

Primary Examiner—Daniel D Bui
Assistant Examiner—Thomas J Johannes
(74) *Attorney, Agent, or Firm*—Wolf Greenfield & Sacks, P.C.

(57) **CLAIM**

The ornamental design for a cable end connection, as shown and described.

DESCRIPTION

FIG. 1 is a perspective view of a cable end connection;
FIG. 2 is a left side view of the cable end connection of FIG. 1;
FIG. 3 is a right side view of the cable end connection of FIG. 1;
FIG. 4 is a top view of the cable end connection of FIG. 1; and,
FIG. 5 is a front view of the cable end connection of FIG. 1.

1 Claim, 1 Drawing Sheet

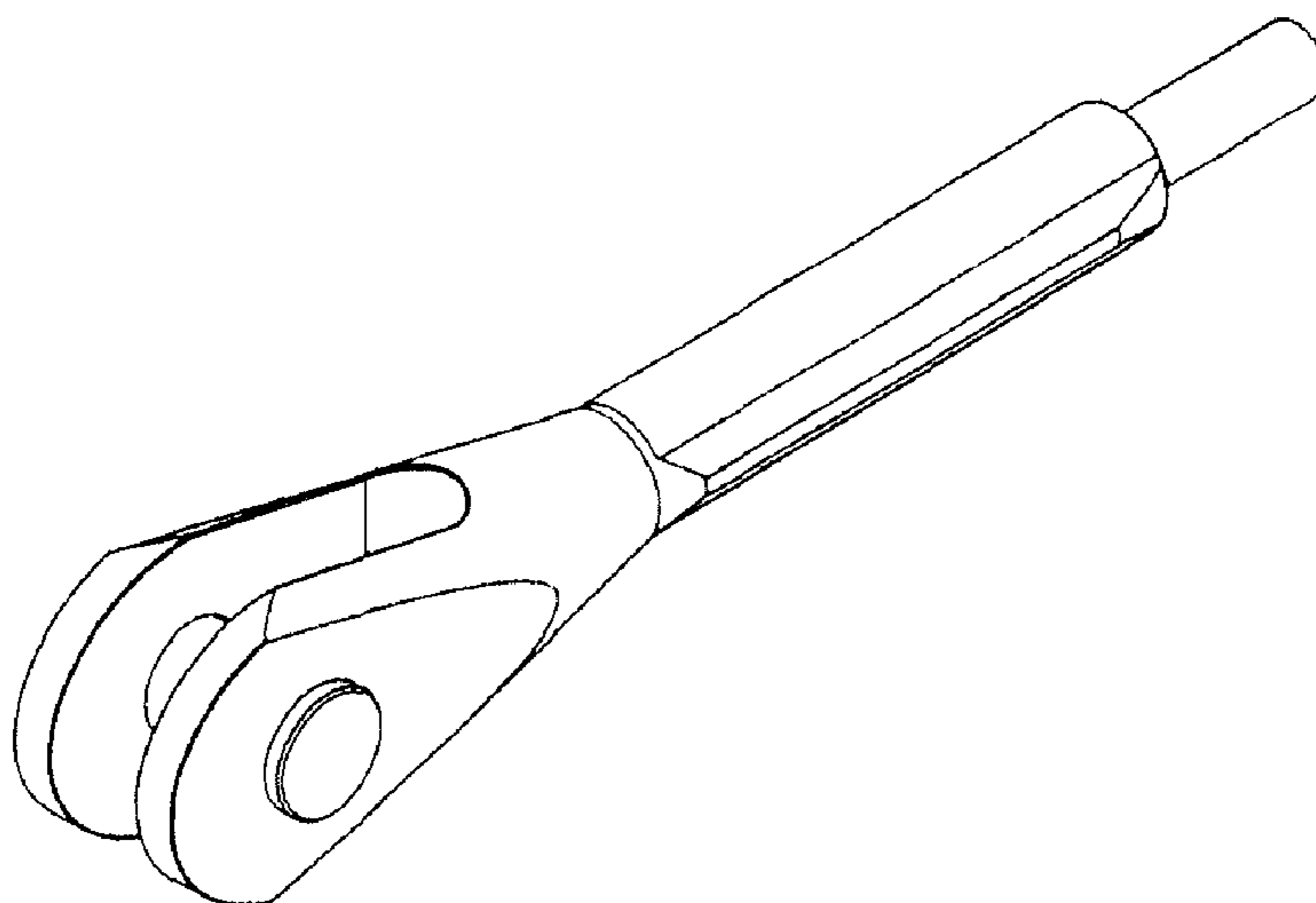


FIG. 5

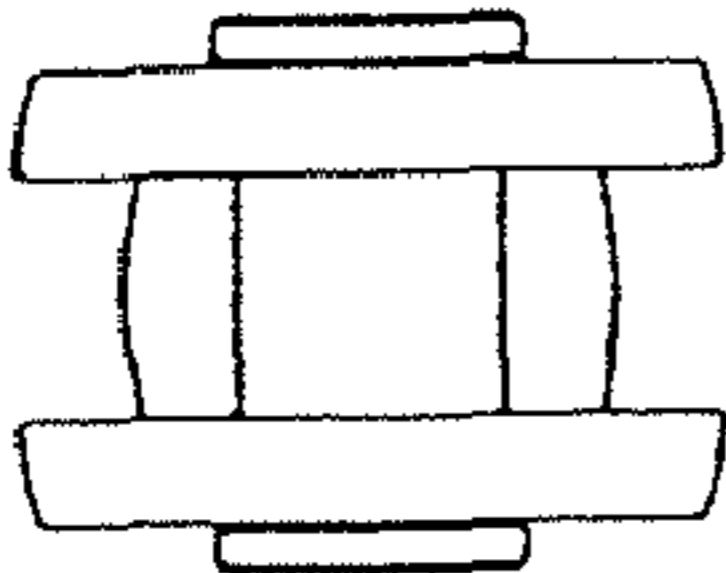


FIG. 1

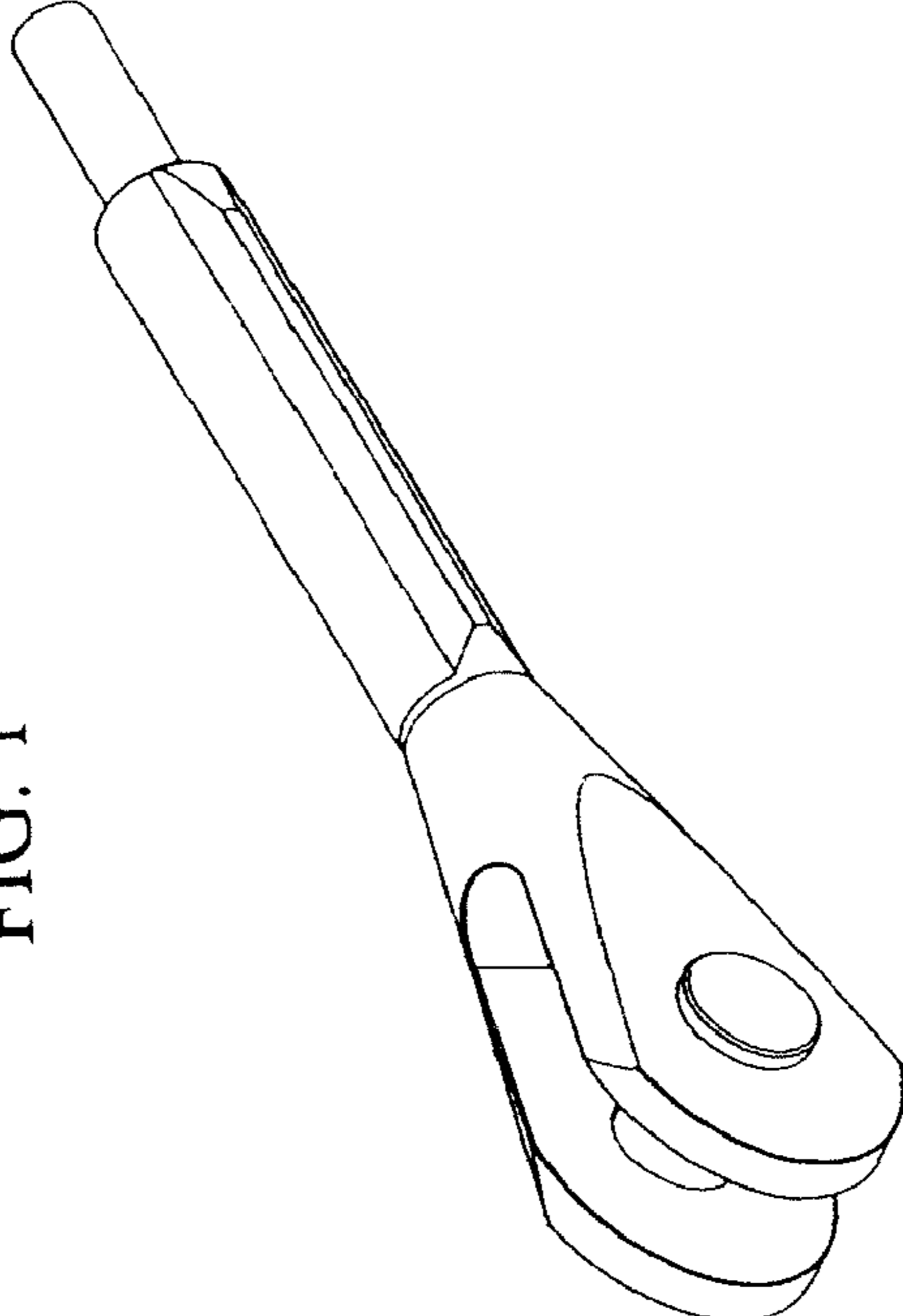


FIG. 2

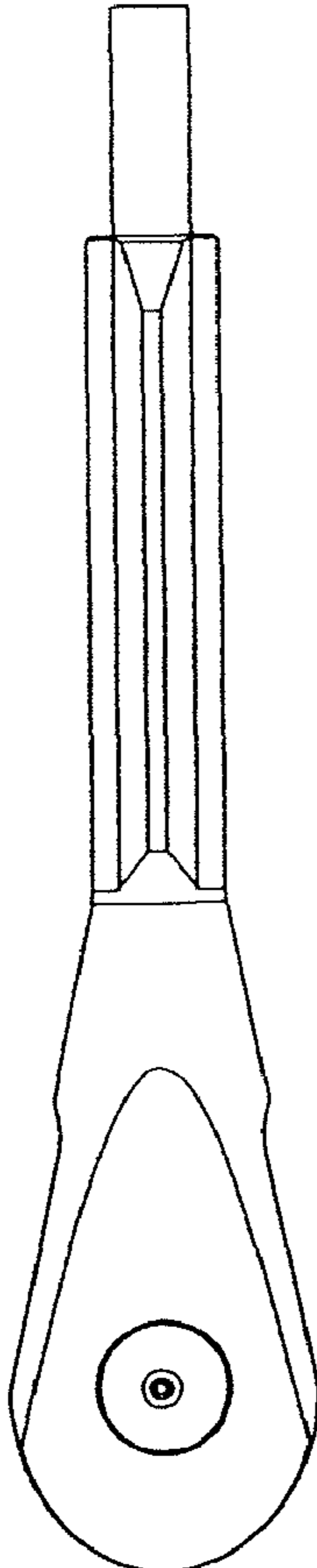


FIG. 3

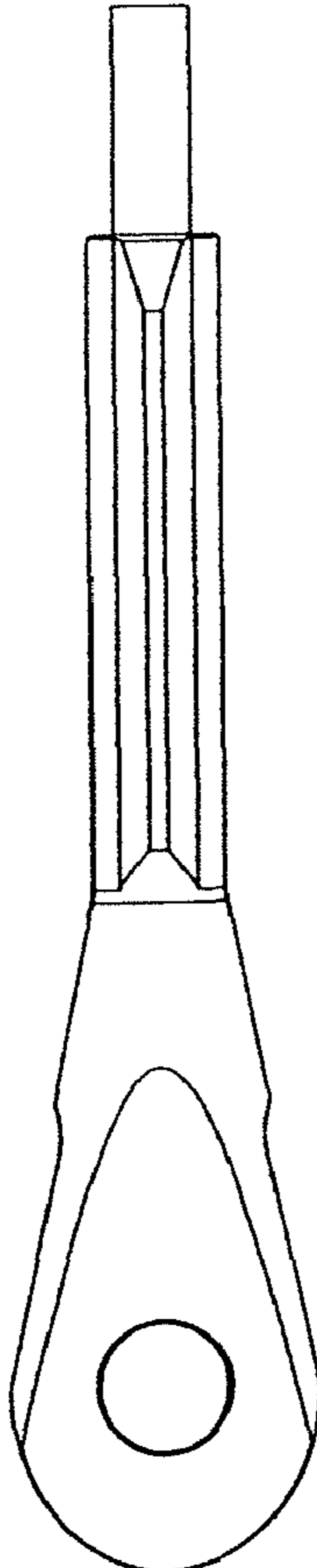


FIG. 4

