



US00D581868S

(12) **United States Design Patent**
Imai

(10) **Patent No.:** **US D581,868 S**
(45) **Date of Patent:** **** Dec. 2, 2008**

(54) **ENGINE GENERATOR**

(75) Inventor: **Shuhei Imai**, Wako (JP)

(73) Assignee: **Honda Motor Co., Ltd.**, Tokyo (JP)

(**) Term: **14 Years**

(21) Appl. No.: **29/267,589**

(22) Filed: **Oct. 18, 2006**

(30) **Foreign Application Priority Data**

Apr. 19, 2006 (JP) 2006-010074

(51) **LOC (8) Cl.** **13-01**

(52) **U.S. Cl.** **D13/116**

(58) **Field of Classification Search** D13/116,
D13/112, 113, 114, 122, 199; 123/2, 3, 1 A,
123/1 B, 1 R; 307/152, 153; 310/89
See application file for complete search history.

(56) **References Cited**

U.S. PATENT DOCUMENTS

D138,383 S *	7/1944	Whitesell et al.	D13/110
D276,997 S *	1/1985	Mikado	D13/116
6,525,430 B1 *	2/2003	Asai et al.	290/1 A
D489,327 S *	5/2004	Imai	D13/116
D494,929 S *	8/2004	Imai	D13/116

FOREIGN PATENT DOCUMENTS

JP 1201065 S 4/2004

* cited by examiner

Primary Examiner—Prabhakar Deshmukh

Assistant Examiner—Derrick Holland

(74) *Attorney, Agent, or Firm*—Birch, Stewart, Kolasch & Birch, LLP

(57) **CLAIM**

The ornamental design for an engine generator, as shown and described.

DESCRIPTION

FIG. 1 is a front perspective view of an engine generator.

FIG. 2 is a perspective view from the left side thereof.

FIG. 3 is a front elevation view thereof.

FIG. 4 is a rear elevation view thereof.

FIG. 5 is a top plan view thereof.

FIG. 6 is a bottom plan view thereof.

FIG. 7 is a right side elevation view thereof.

FIG. 8 is a left side elevation view thereof.

FIG. 9 is a rear perspective view thereof.

FIG. 10 is a front view wherein the handles are folded inwards.

FIG. 11 is a rear view wherein the handles are folded inwards; and,

FIG. 12 is a perspective view wherein the handles are folded inwards.

Portions of the claim shown in broken lines form no part of the claimed design.

1 Claim, 12 Drawing Sheets

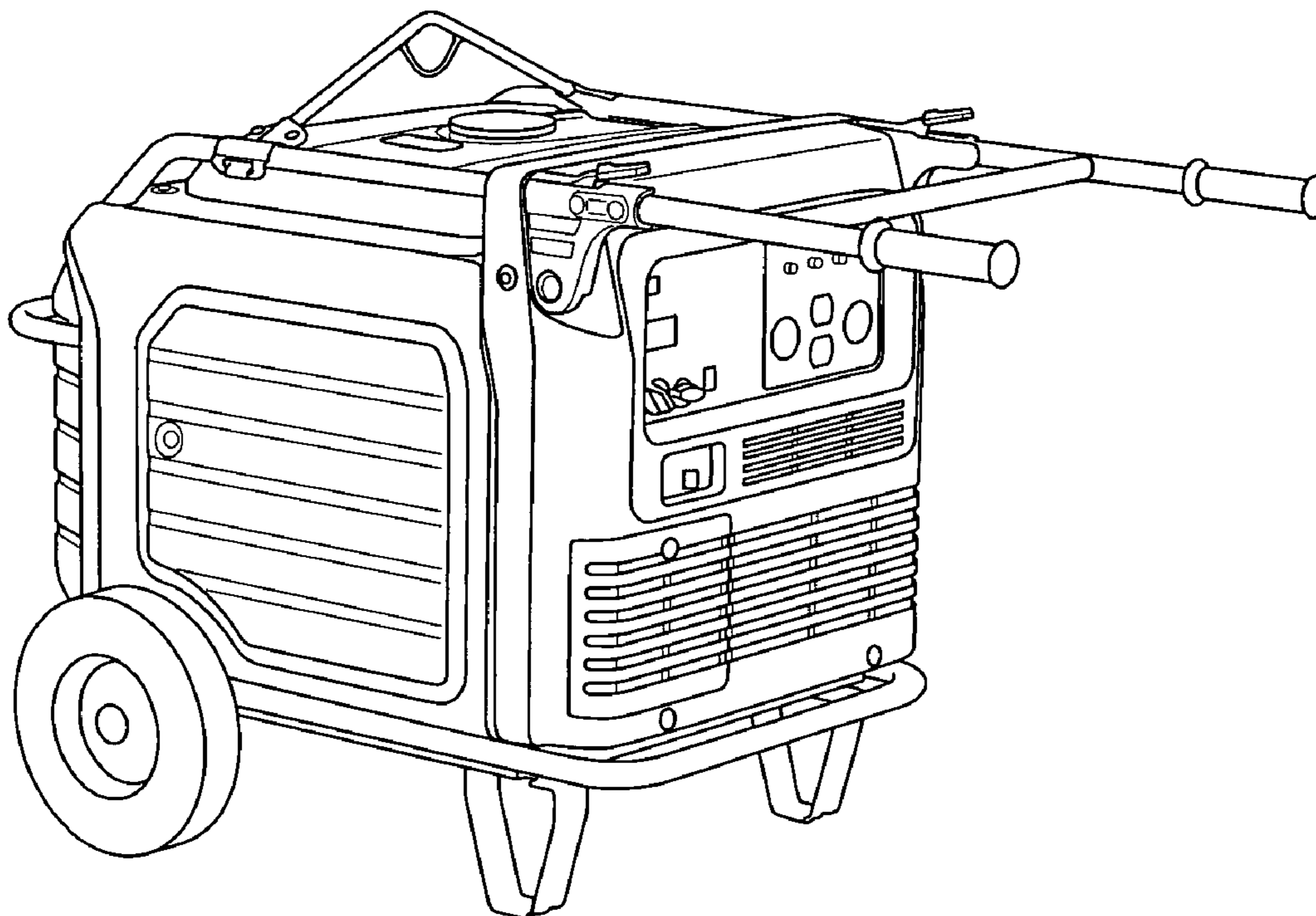


FIG. 1

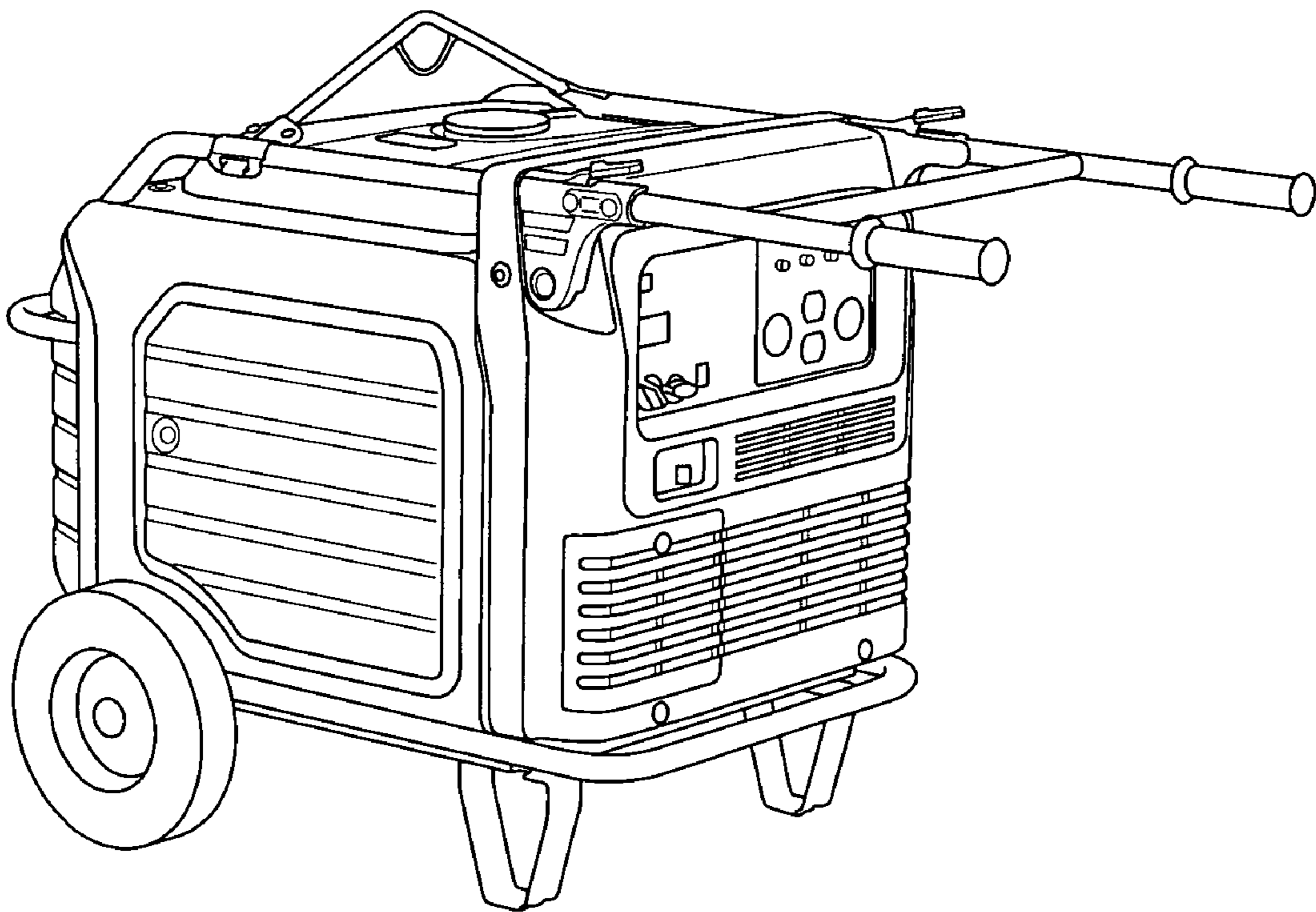


FIG. 2

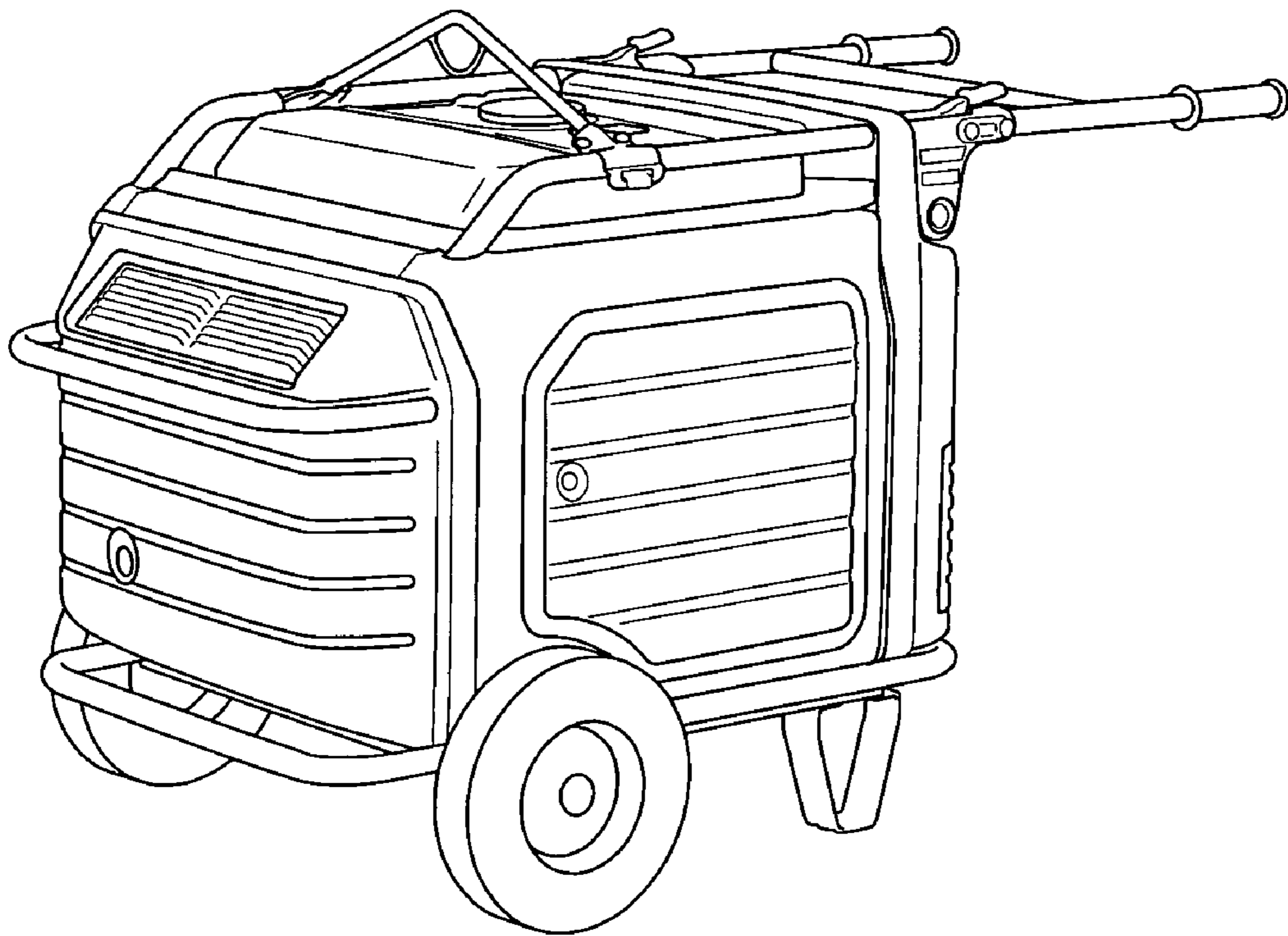


FIG. 3

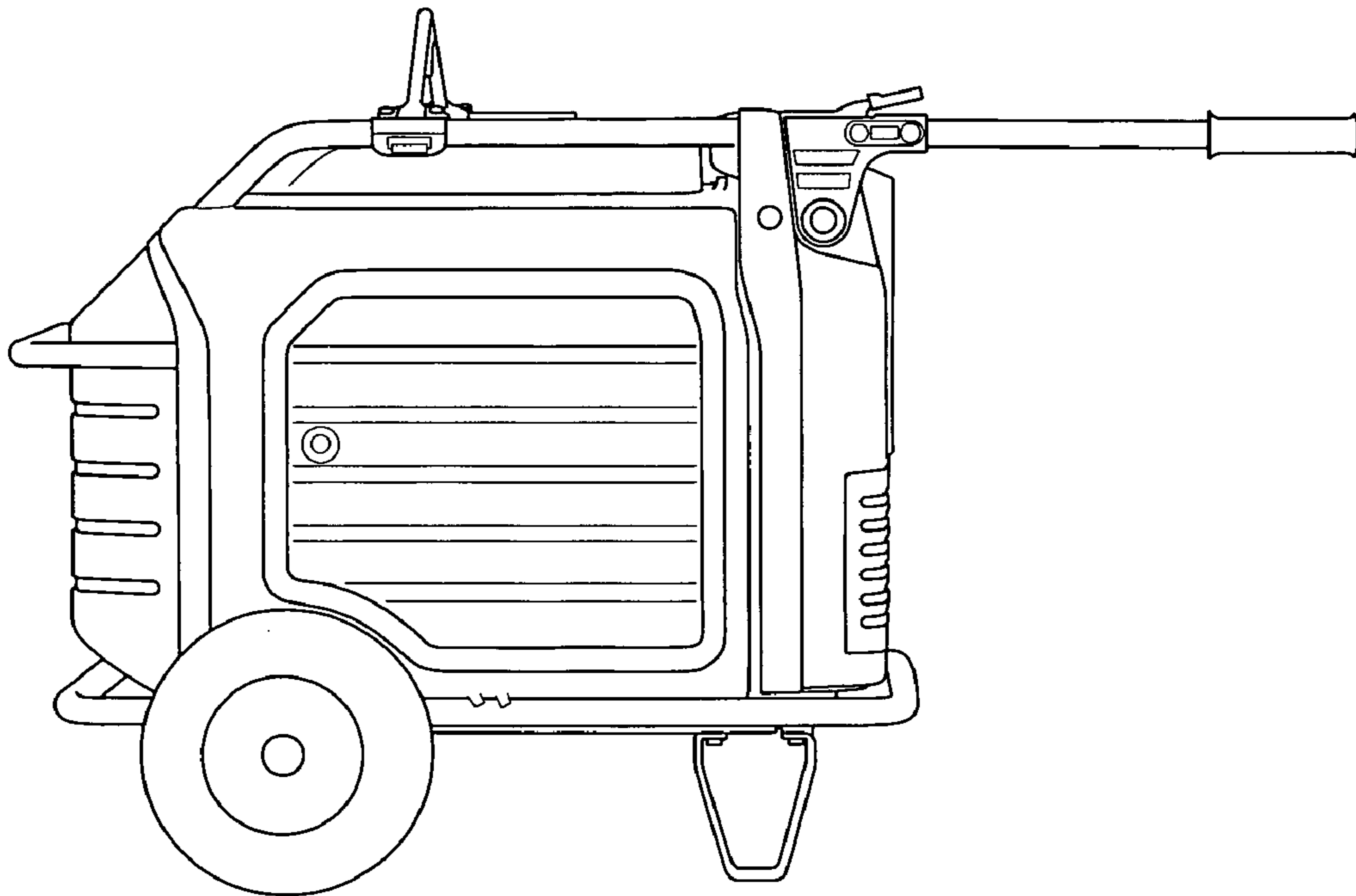


FIG. 4

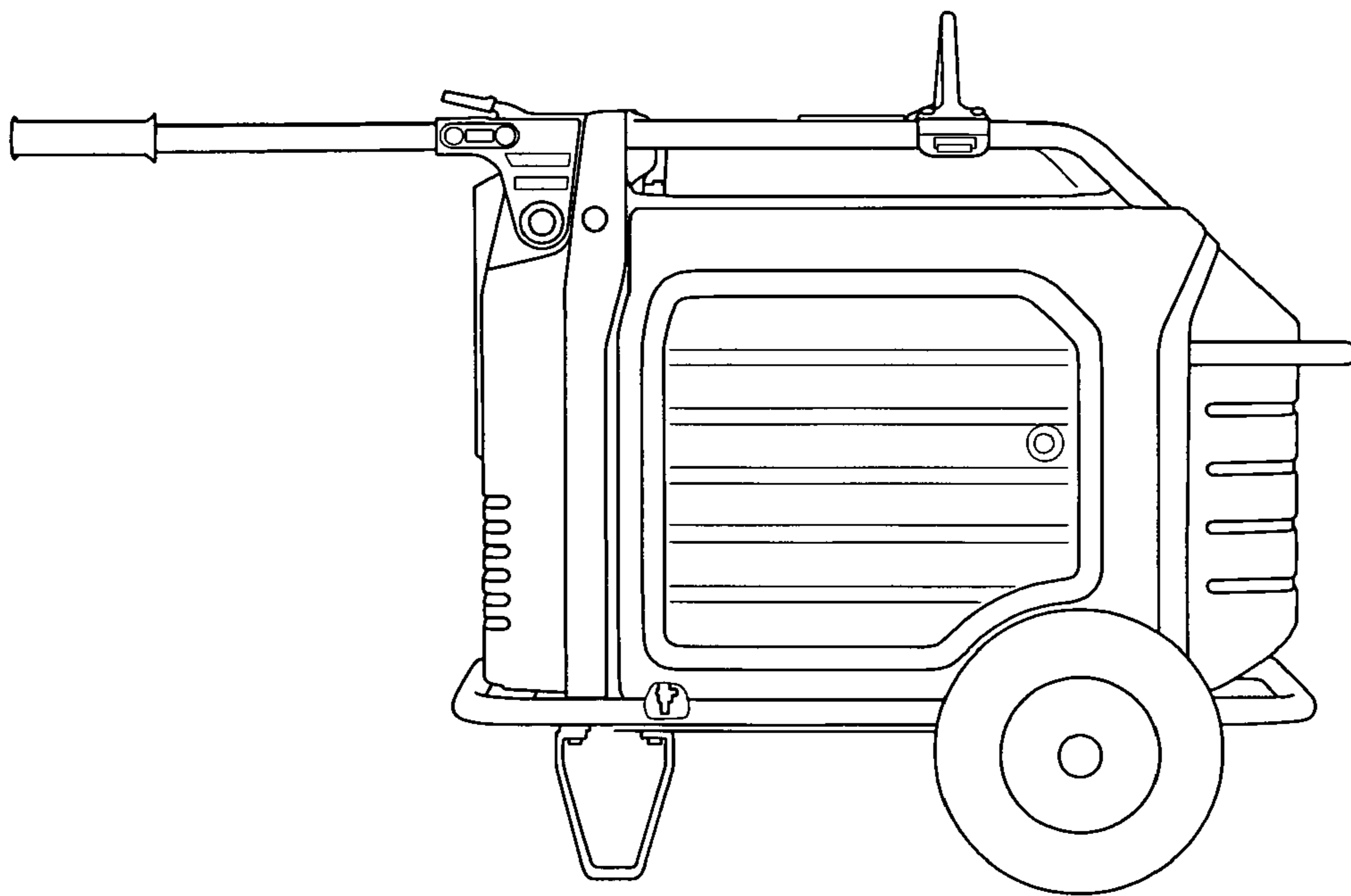


FIG. 5

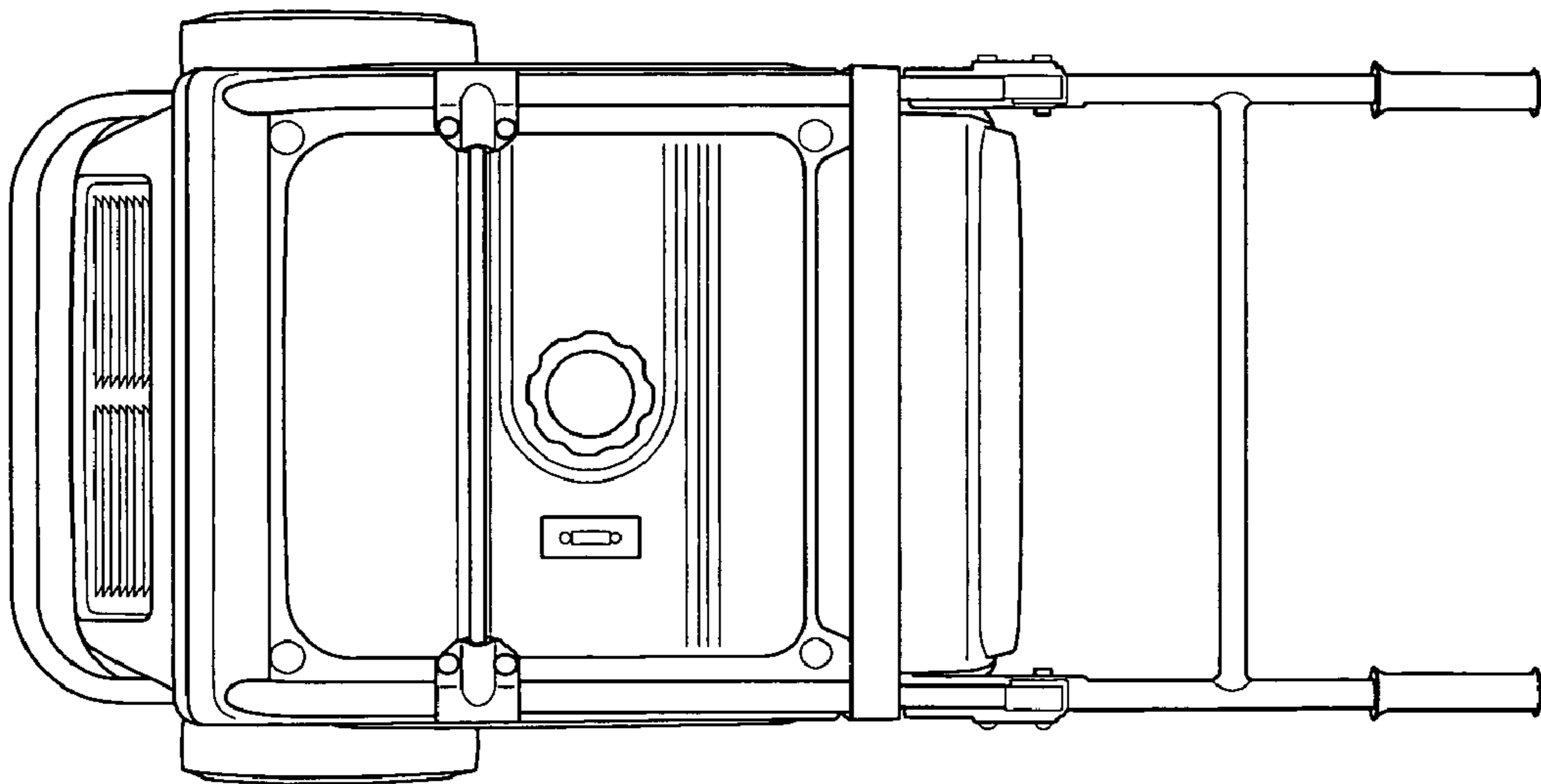


FIG. 6

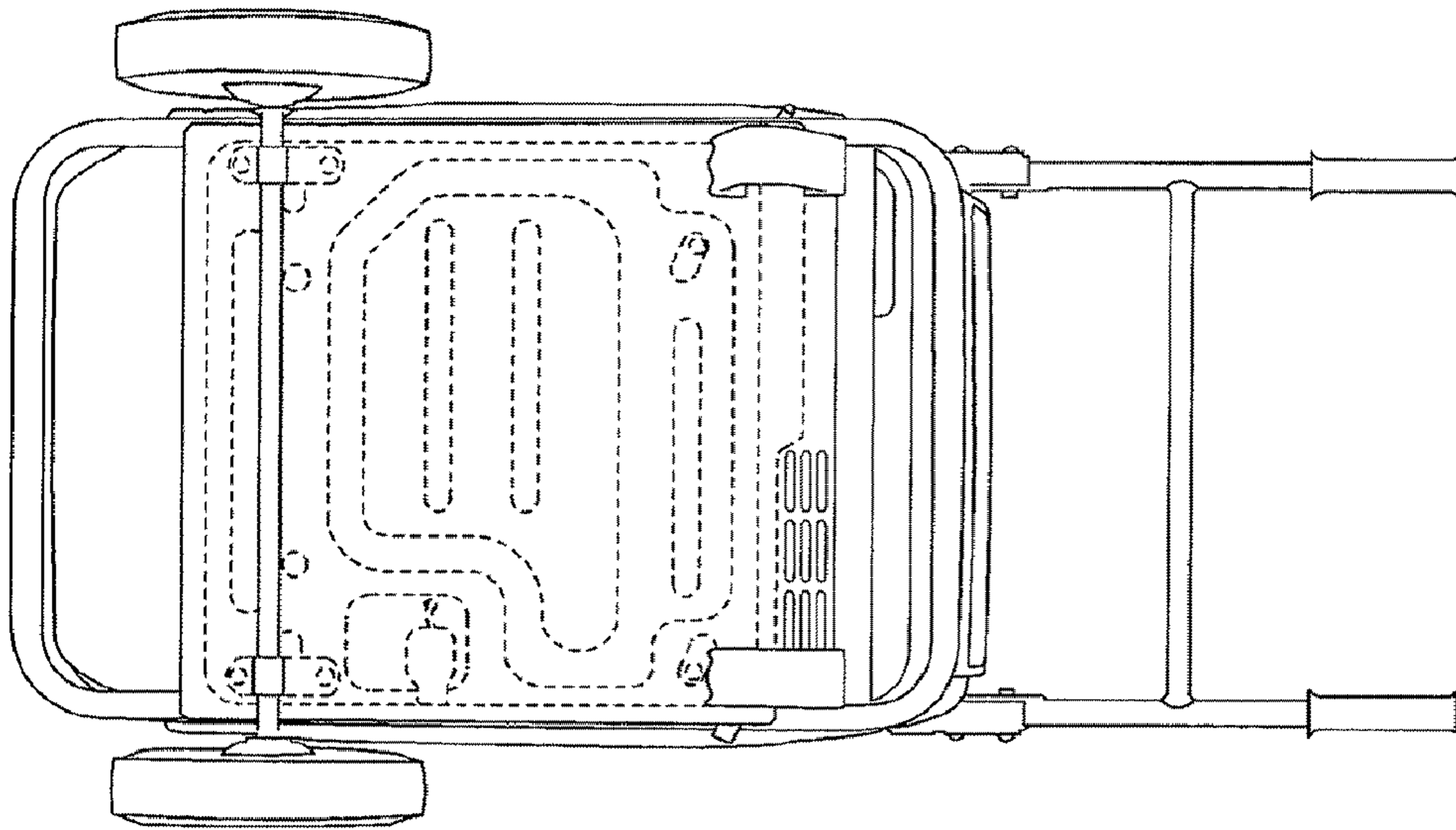


FIG. 7

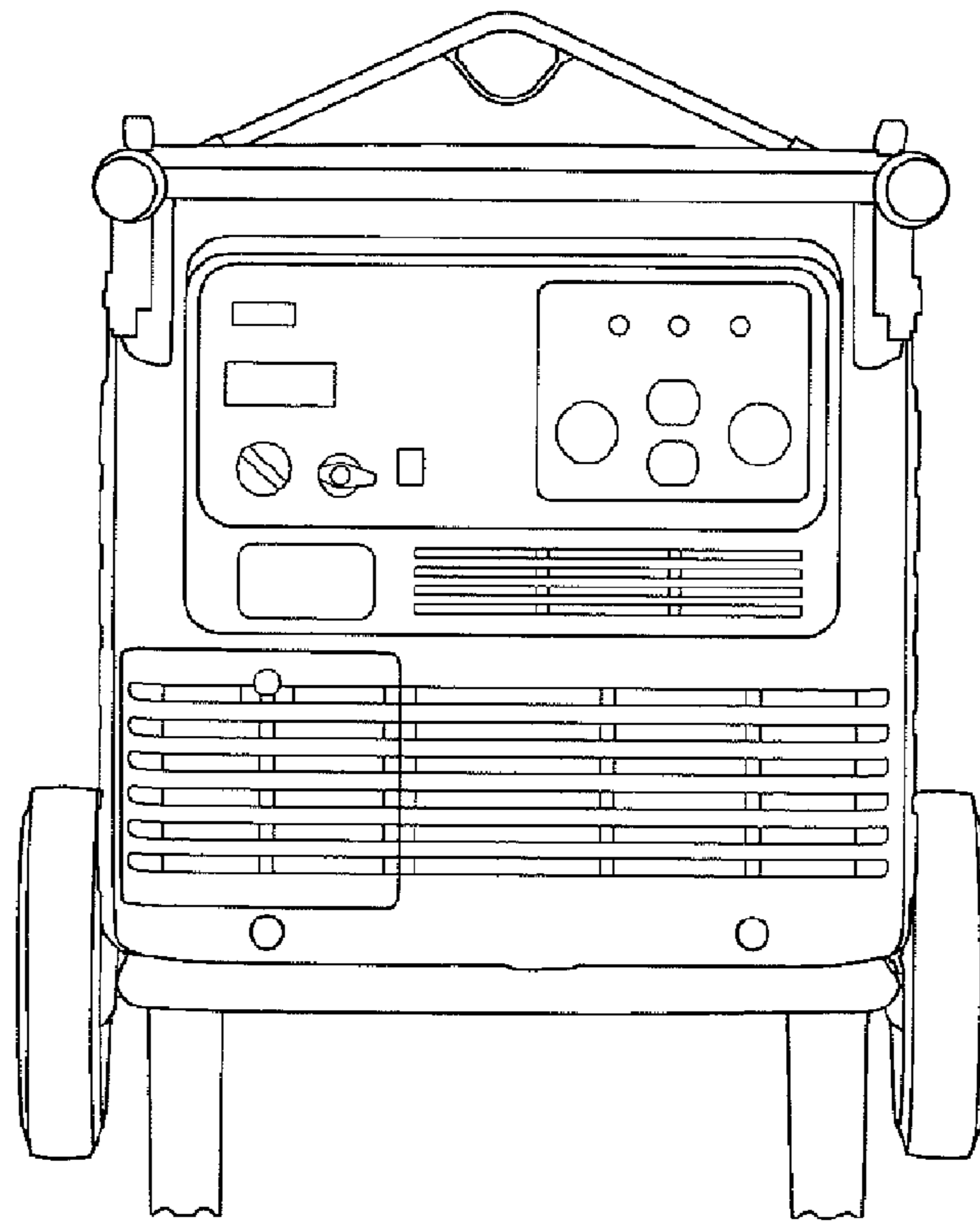


FIG. 8

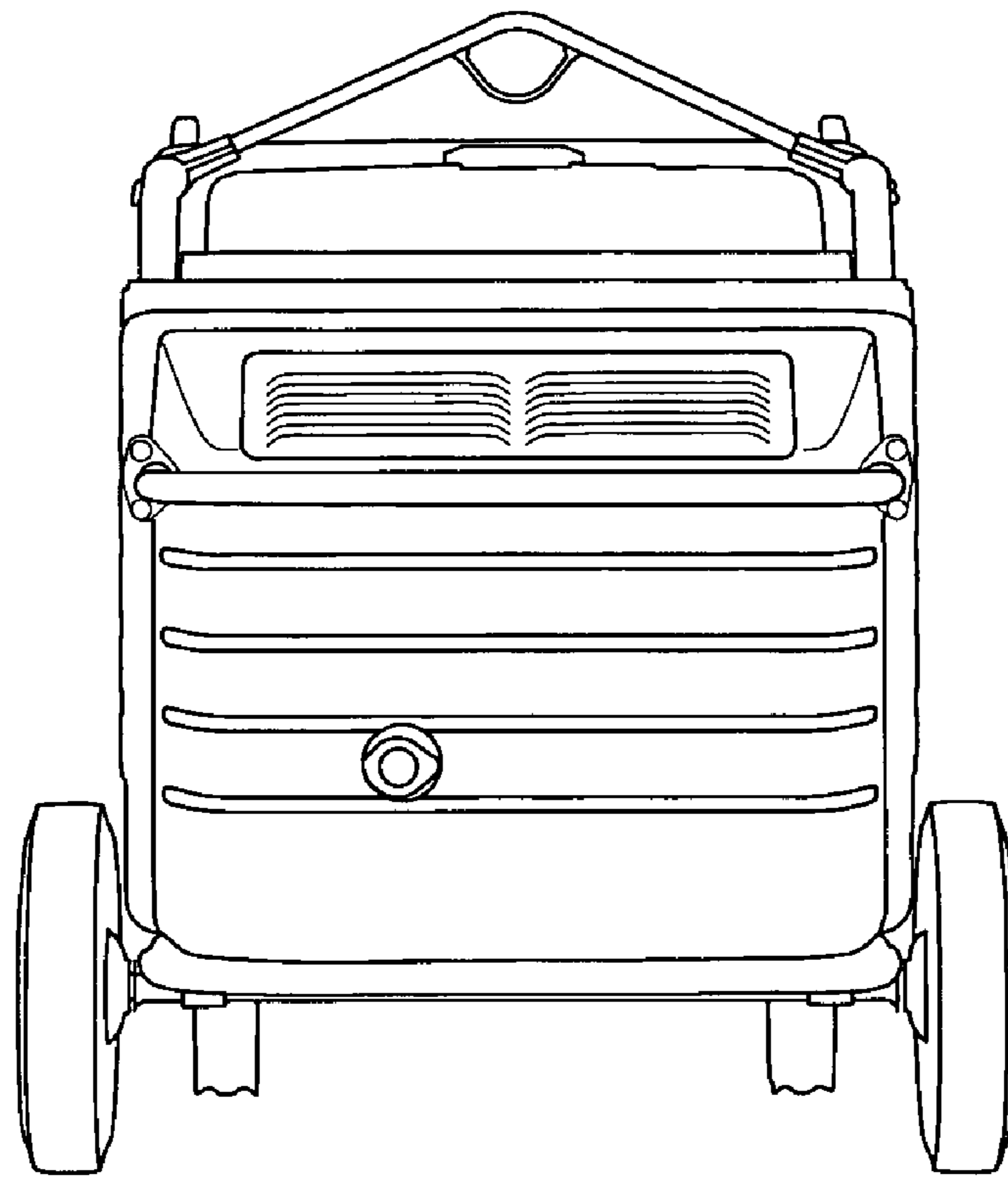


FIG. 9

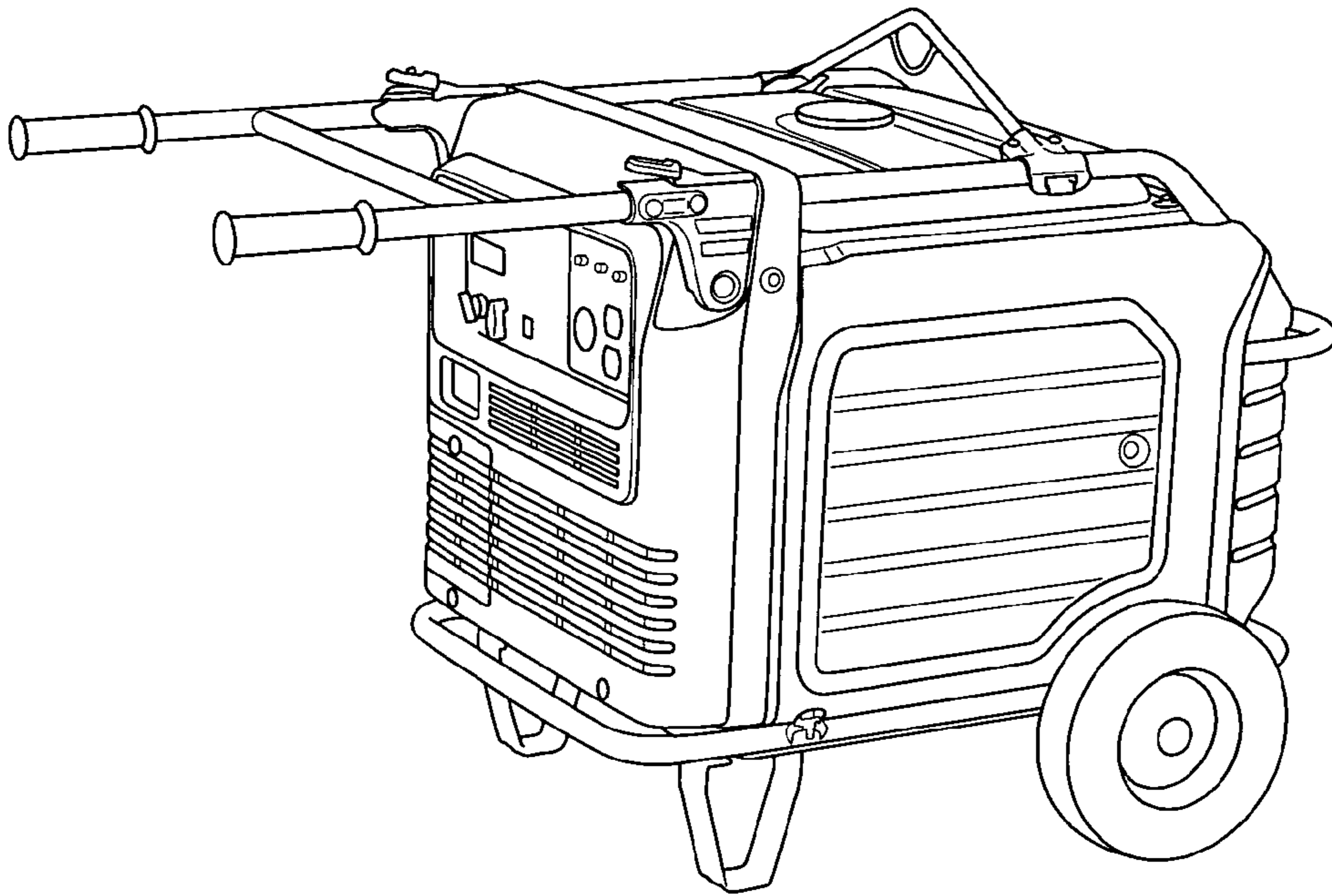


FIG. 10

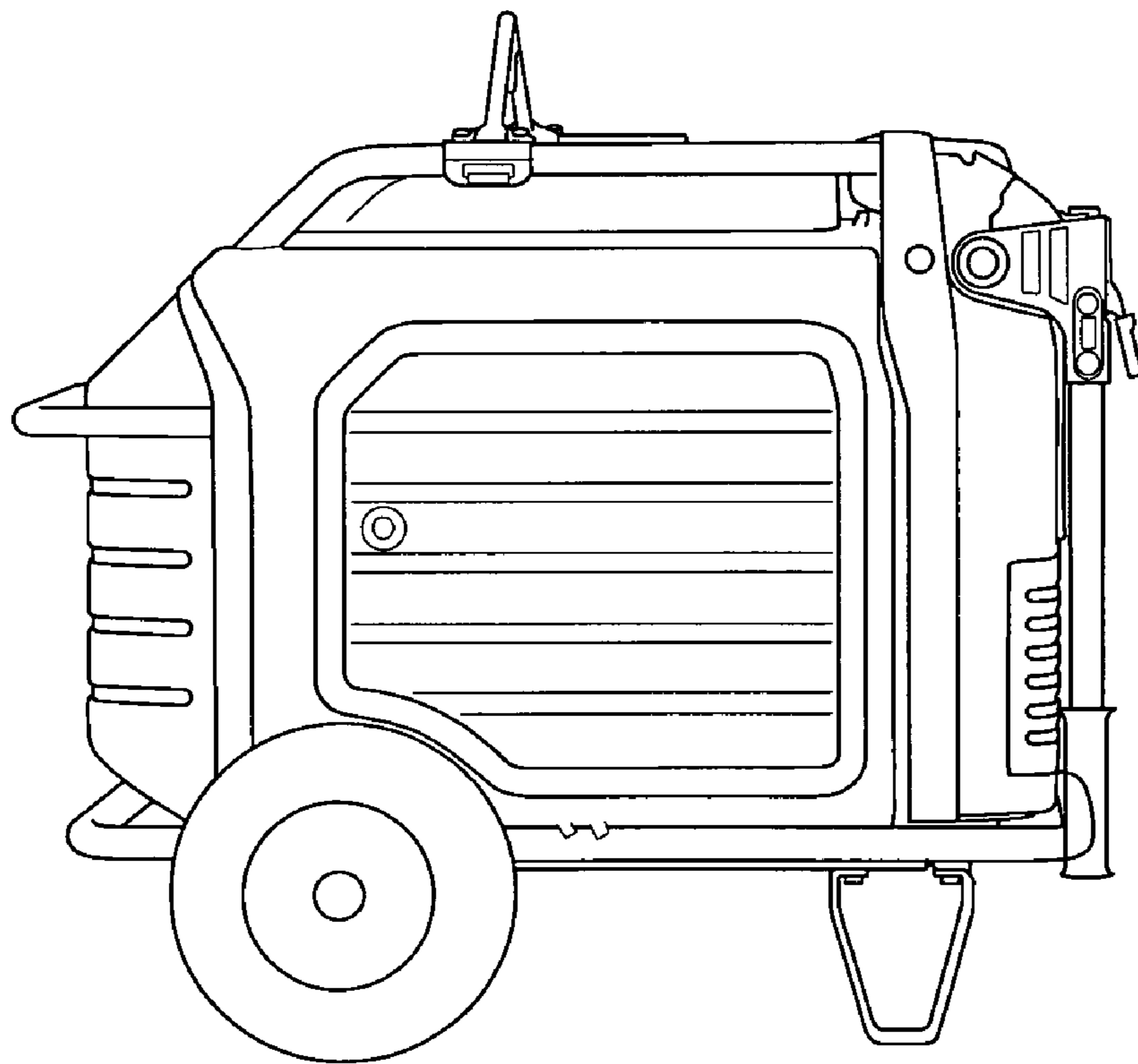


FIG. 11

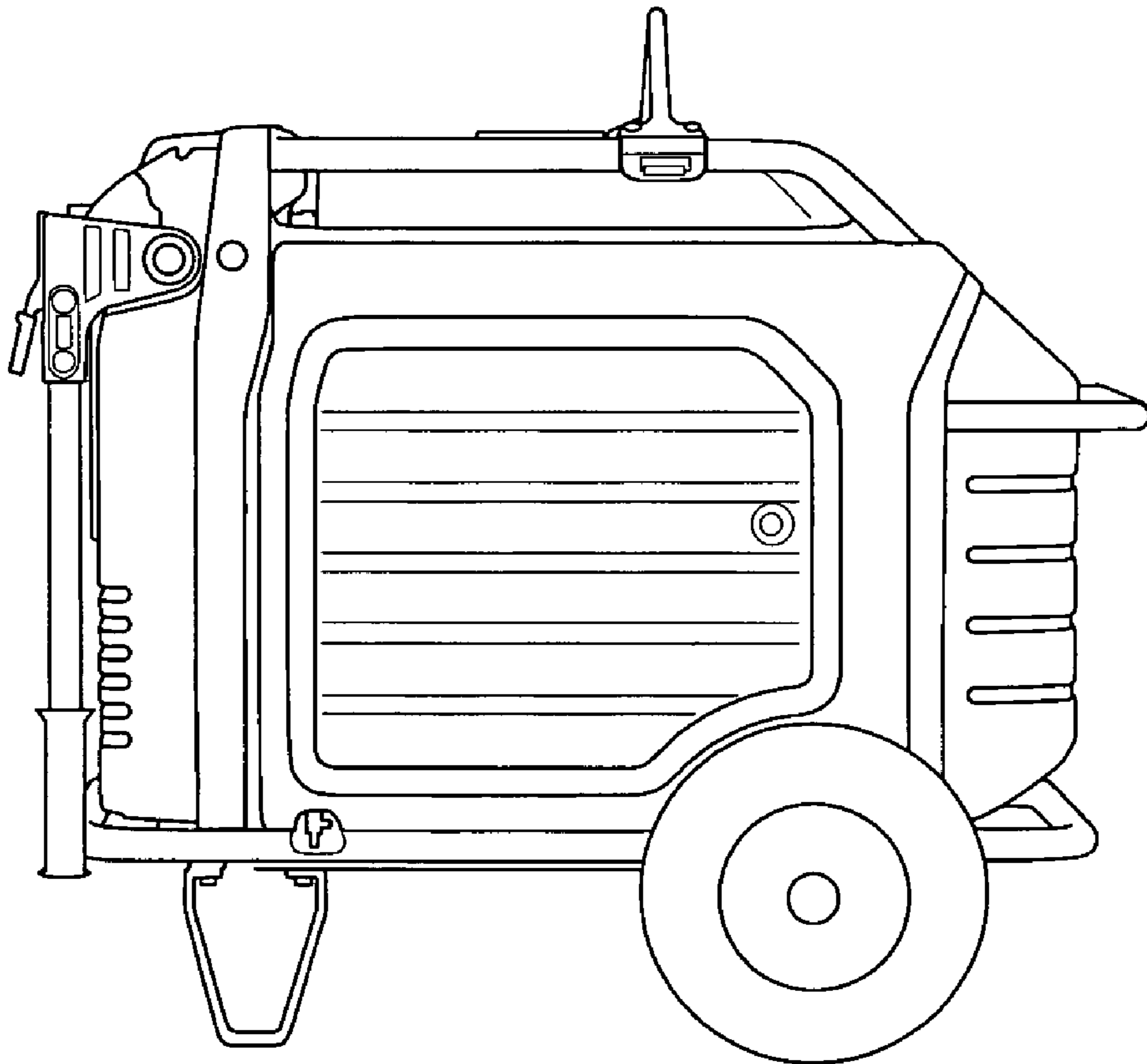


FIG. 12

