



US00D581867S

(12) **United States Design Patent**
Crawford et al.

(10) **Patent No.:** **US D581,867 S**
(45) **Date of Patent:** **** Dec. 2, 2008**

(54) **ENERGY STORAGE SYSTEM**

D460,424 S * 7/2002 Zhao D13/184
D509,181 S * 9/2005 Nellenbach et al. D13/103

(75) Inventors: **John Crawford**, Avon, OH (US);
Donwoong Kang, Camillus, NY (US);
Todd B. Abernethy, Syracuse, NY (US);
Scott W. Osiecki, Skaneateles, NY (US)

* cited by examiner

Primary Examiner—Jennifer Rivard

Assistant Examiner—Rosemary K Tarcza

(74) *Attorney, Agent, or Firm*—Gregory J. Adams

(73) Assignee: **Eveready Battery Company, Inc.**, St.
Louis, MO (US)

(57) **CLAIM**

(**) Term: **14 Years**

We claim the ornamental design for an energy storage system,
as shown and described.

(21) Appl. No.: **29/302,844**

(22) Filed: **Jan. 25, 2008**

DESCRIPTION

(51) **LOC (8) Cl.** **13-02**

FIG. 1 is a front perspective view of an energy storage system,
showing our new design;

(52) **U.S. Cl.** **D13/103**

FIG. 2 is a front plan view thereof;

(58) **Field of Classification Search** D13/102–106,

FIG. 3 is a rear plan view thereof;

D13/110, 118–119, 184; 429/96–100, 163,

FIG. 4 is a top plan view thereof;

429/176

FIG. 5 is a side plan view thereof;

See application file for complete search history.

FIG. 6 is a side plan view thereof; and,

(56) **References Cited**

FIG. 7 is a bottom plan view thereof.

U.S. PATENT DOCUMENTS

The broken lines are included for the purpose of illustrating
environmental structure and form no part of the claimed
design.

4,131,723 A * 12/1978 Dalibard et al. 429/81

4,998,055 A * 3/1991 Nash et al. 320/113

D368,316 S * 3/1996 Jansson D26/39

D400,493 S * 11/1998 Witkowski et al. D13/103

D418,107 S * 12/1999 Murray et al. D13/103

1 Claim, 3 Drawing Sheets

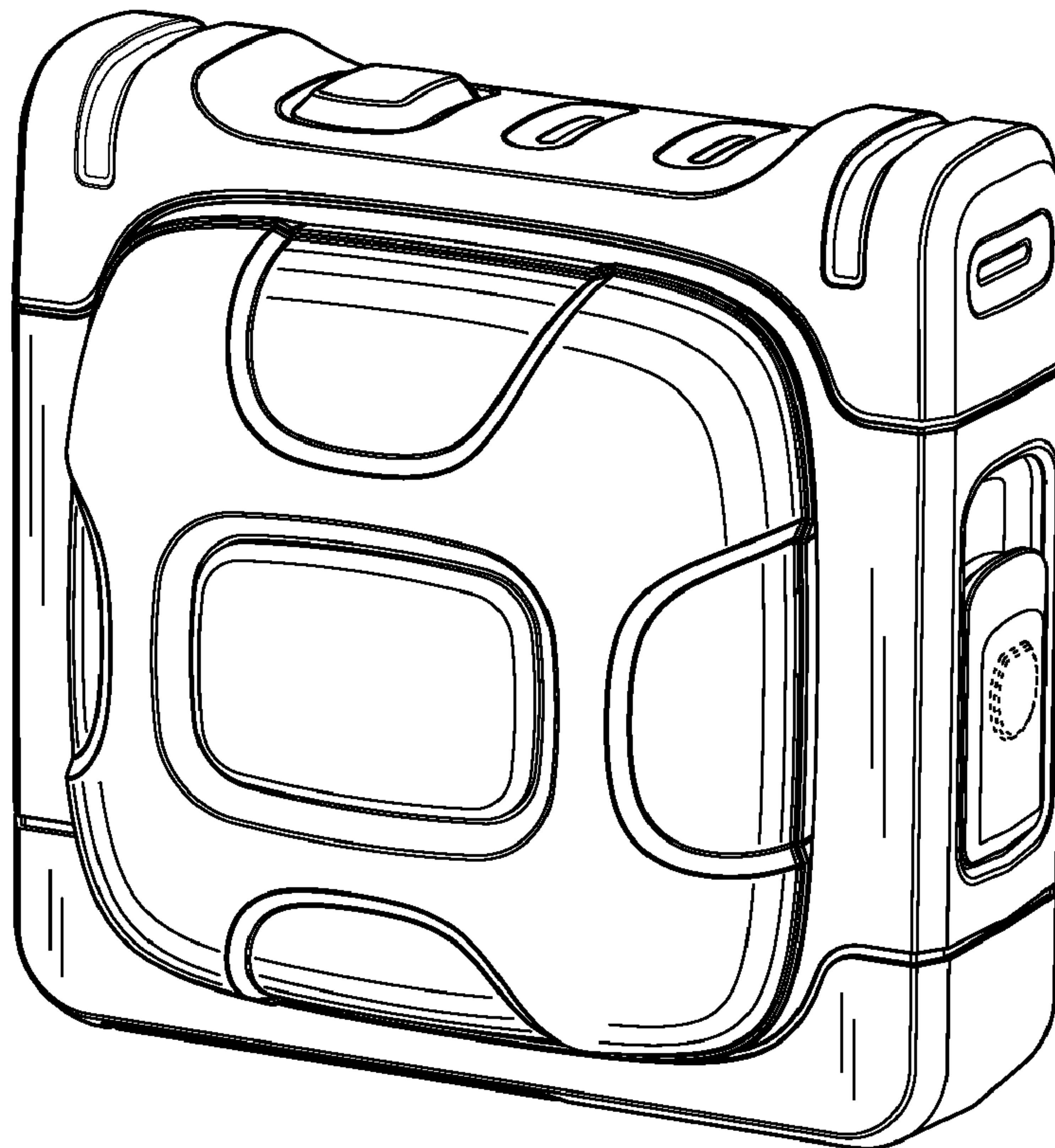
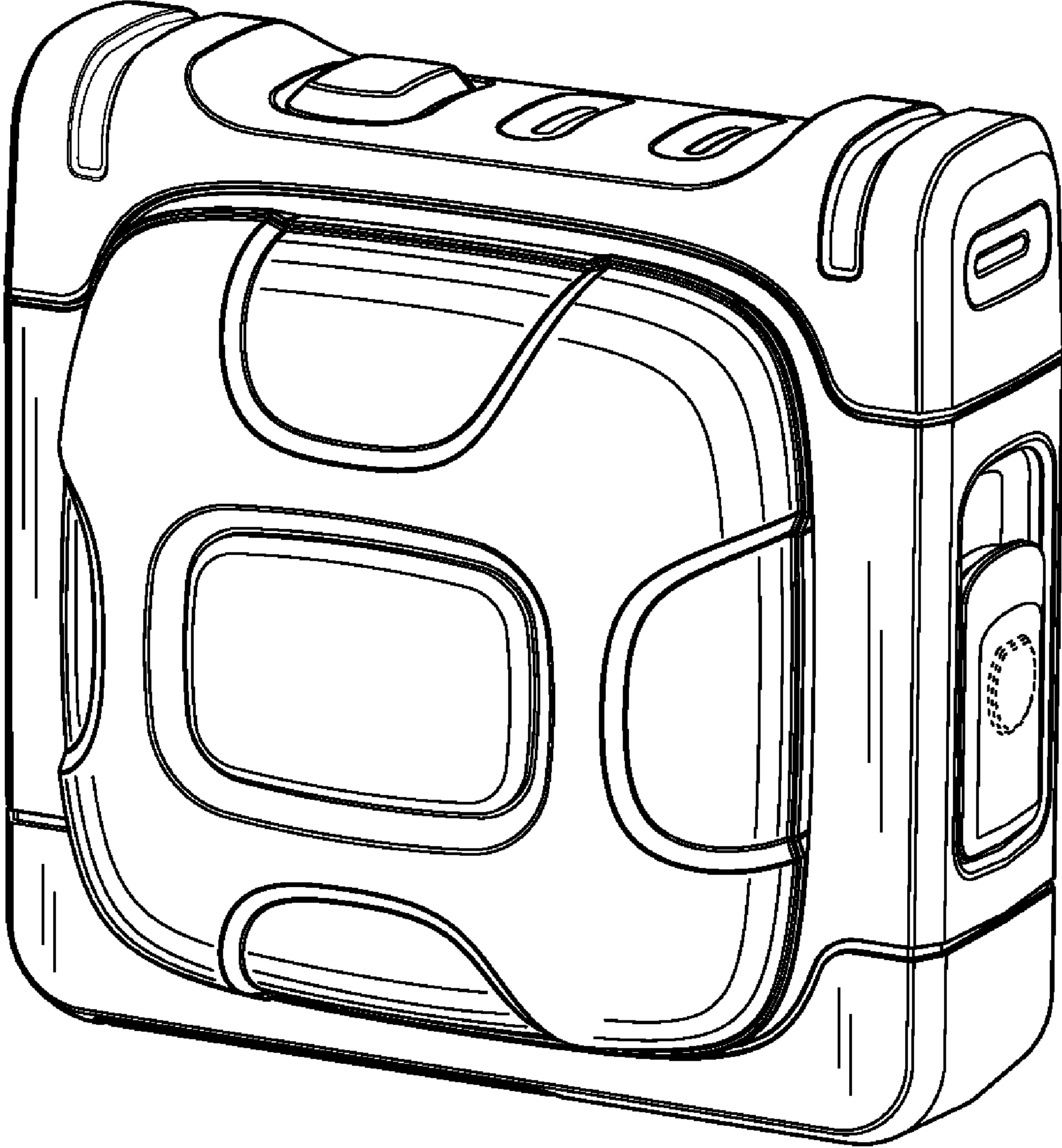


FIG. 1



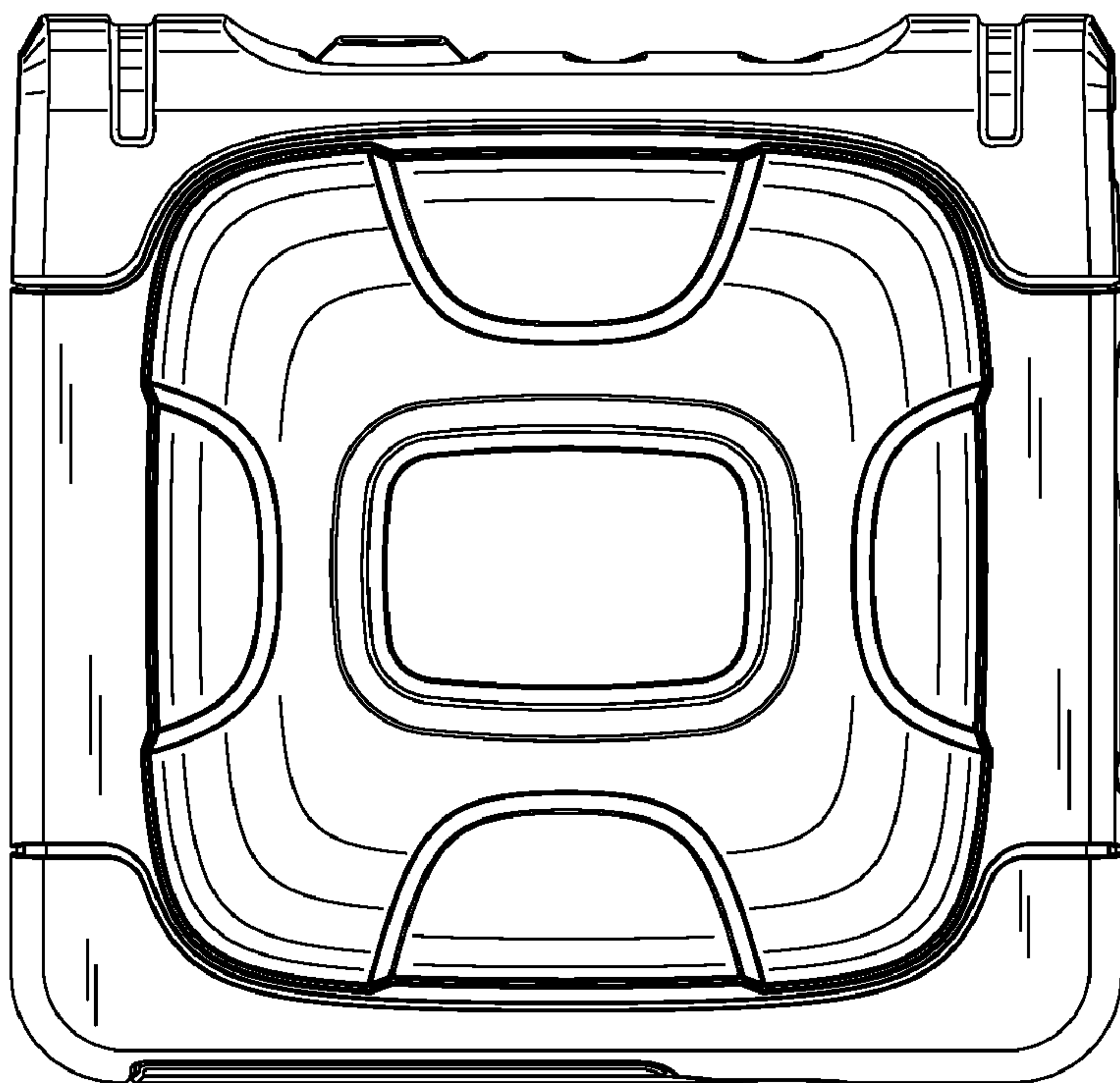


FIG. 2

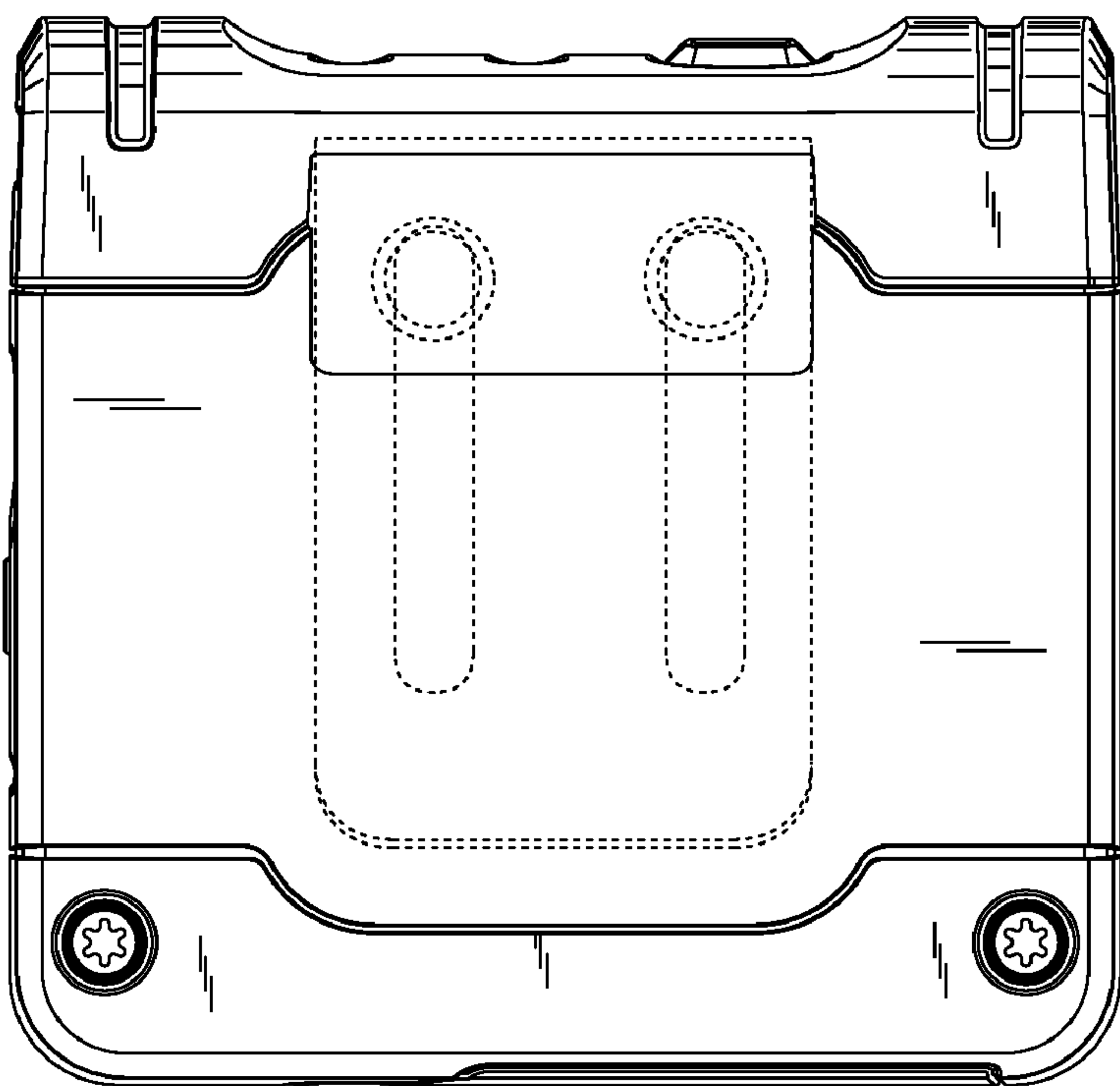


FIG. 3

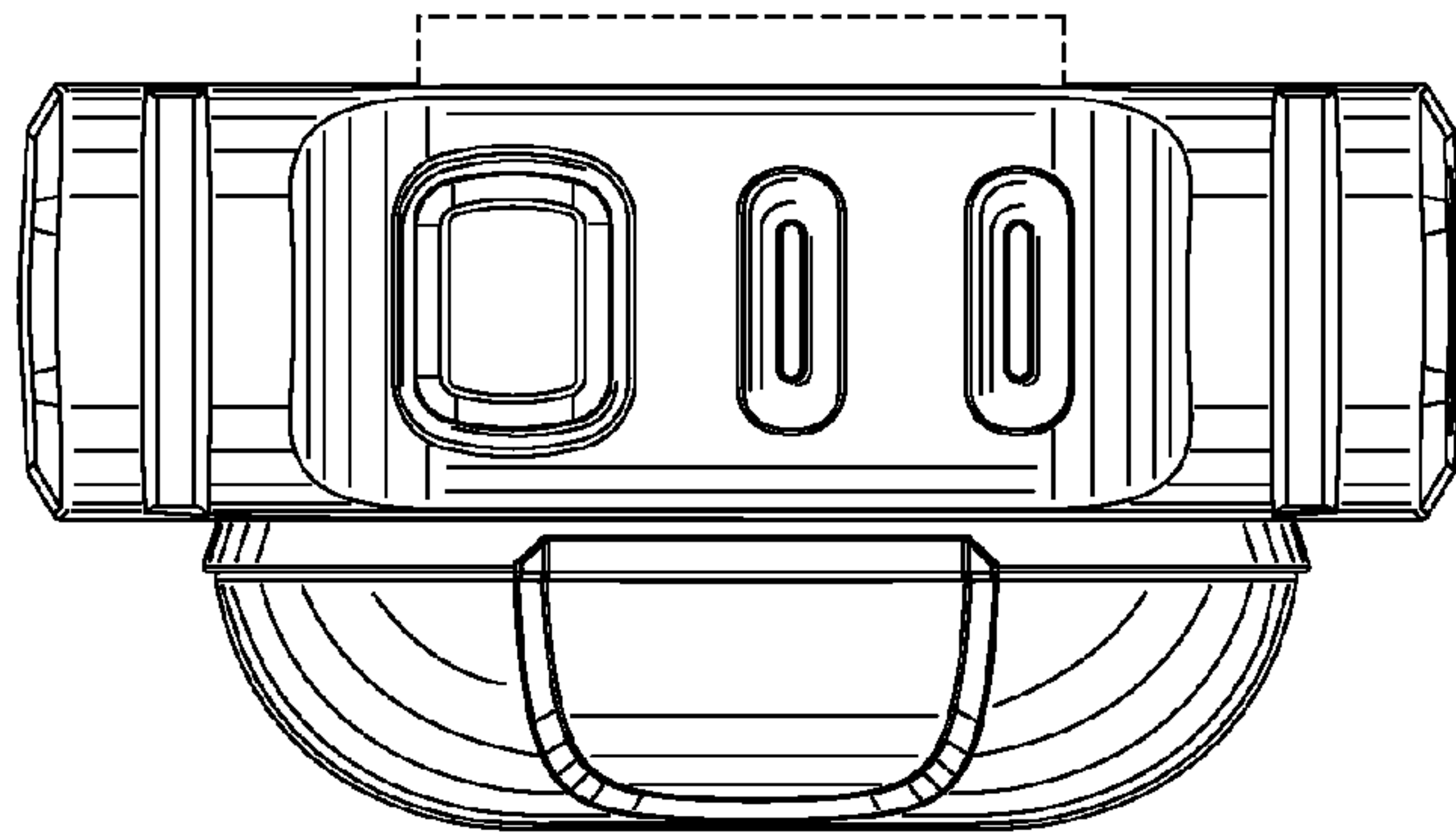


FIG. 4

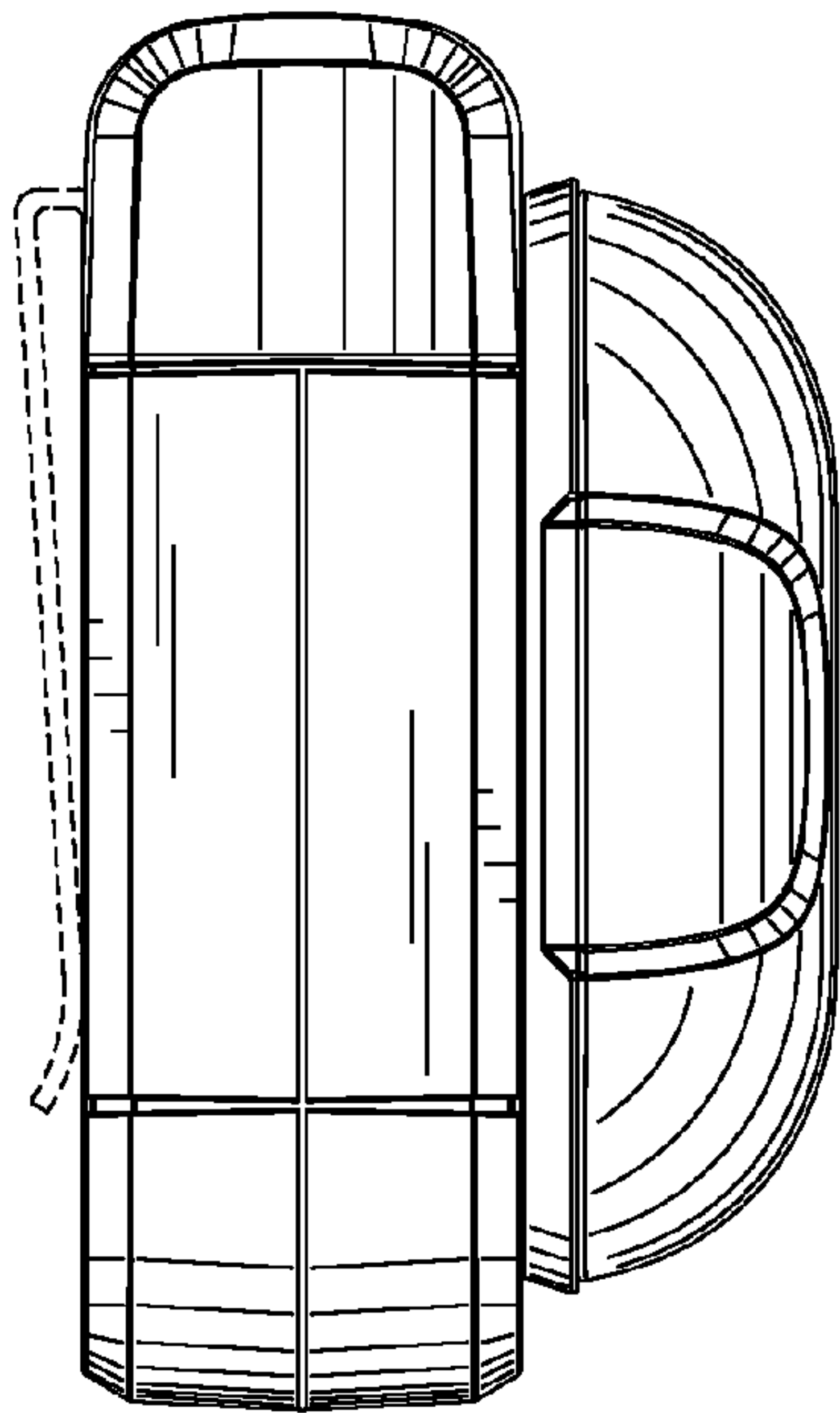


FIG. 5

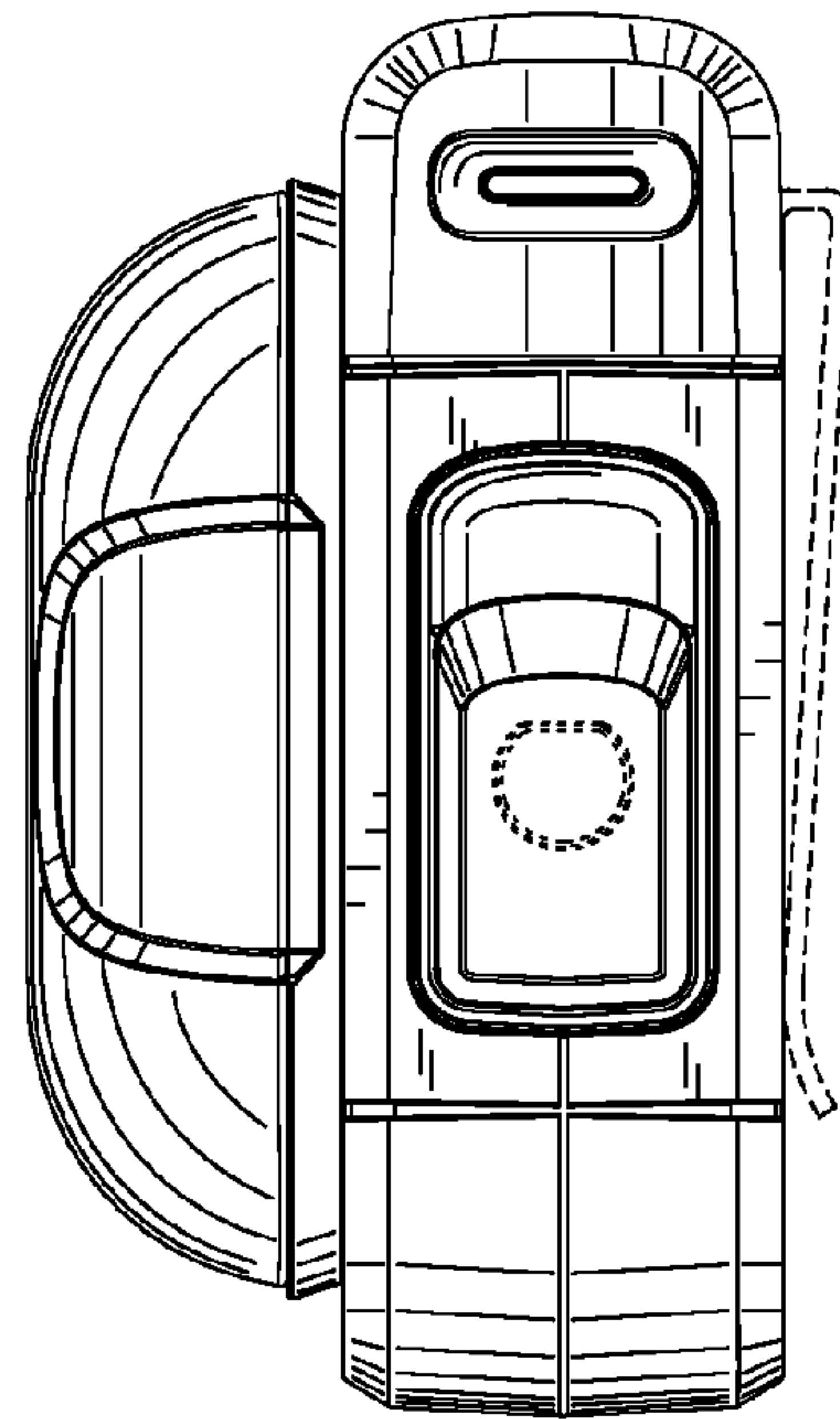


FIG. 6

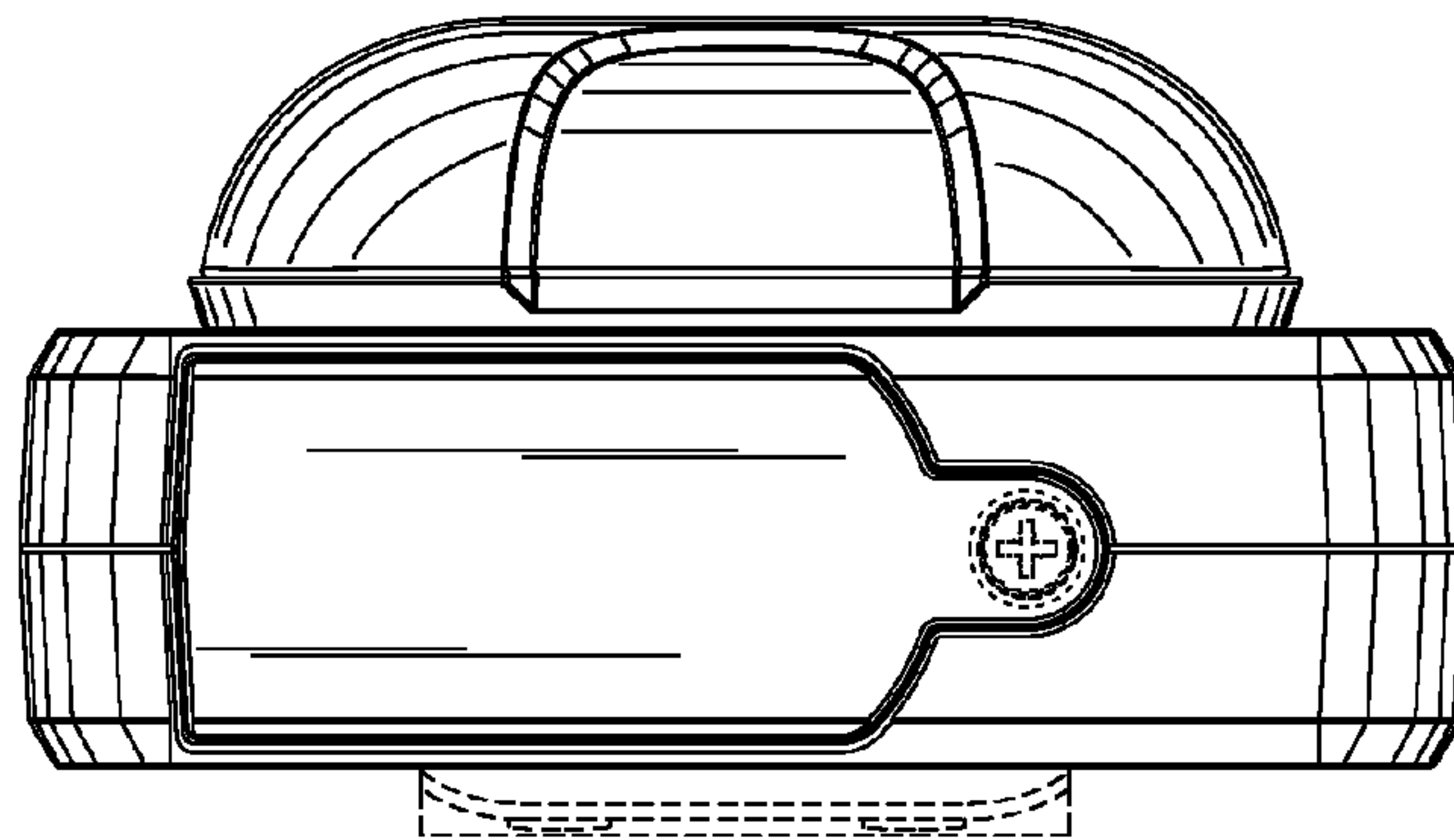


FIG. 7