



US00D581866S

(12) **United States Design Patent**
Choi et al.

(10) **Patent No.:** **US D581,866 S**
(45) **Date of Patent:** **** Dec. 2, 2008**

(54) **BATTERY FOR A MOBILE DEVICE**

(75) Inventors: **JaeHo Choi**, Whitestone, NY (US); **Carl Thelemann**, East Islip, NY (US)

(73) Assignee: **Symbol Technologies, Inc.**, Holtsville, NY (US)

(**) Term: **14 Years**

(21) Appl. No.: **29/278,720**

(22) Filed: **Apr. 6, 2007**

(51) **LOC (8) Cl.** **13-02**

(52) **U.S. Cl.** **D13/103**

(58) **Field of Classification Search** D13/102–106,
D13/110, 118–119, 184; 429/96–100, 163,
429/176

See application file for complete search history.

(56) **References Cited**

U.S. PATENT DOCUMENTS

D329,634 S *	9/1992	Mizusugi et al.	D13/103
D358,126 S *	5/1995	Sakuma et al.	D13/103
D363,055 S *	10/1995	Kobayashi et al.	D13/103
D406,561 S *	3/1999	Goto	D13/103
D413,300 S *	8/1999	Igarashi	D13/103
D417,861 S *	12/1999	Maeyama	D13/103
D431,227 S *	9/2000	Ogasawara	D13/103
D438,169 S *	2/2001	Minagawa et al.	D13/103
D451,069 S *	11/2001	Maggert et al.	D13/103

D517,475 S *	3/2006	Yokota	D13/103
D531,575 S *	11/2006	Yamada	D13/103
D535,249 S *	1/2007	Ogasawara	D13/103
D538,222 S *	3/2007	Curello et al.	D13/103

* cited by examiner

Primary Examiner—Jennifer Rivard

Assistant Examiner—Rosemary K Tarcza

(74) *Attorney, Agent, or Firm*—Fay Kaplun & Marcin, LLP

(57) **CLAIM**

The ornamental design for a battery for a mobile device, as shown and described.

DESCRIPTION

FIG. 1 is a perspective view of an ornamental design of a battery for a mobile device showing our new design;

FIG. 2 is a front elevational view thereof;

FIG. 3 is a top plan view thereof;

FIG. 4 is a rear elevational view thereof;

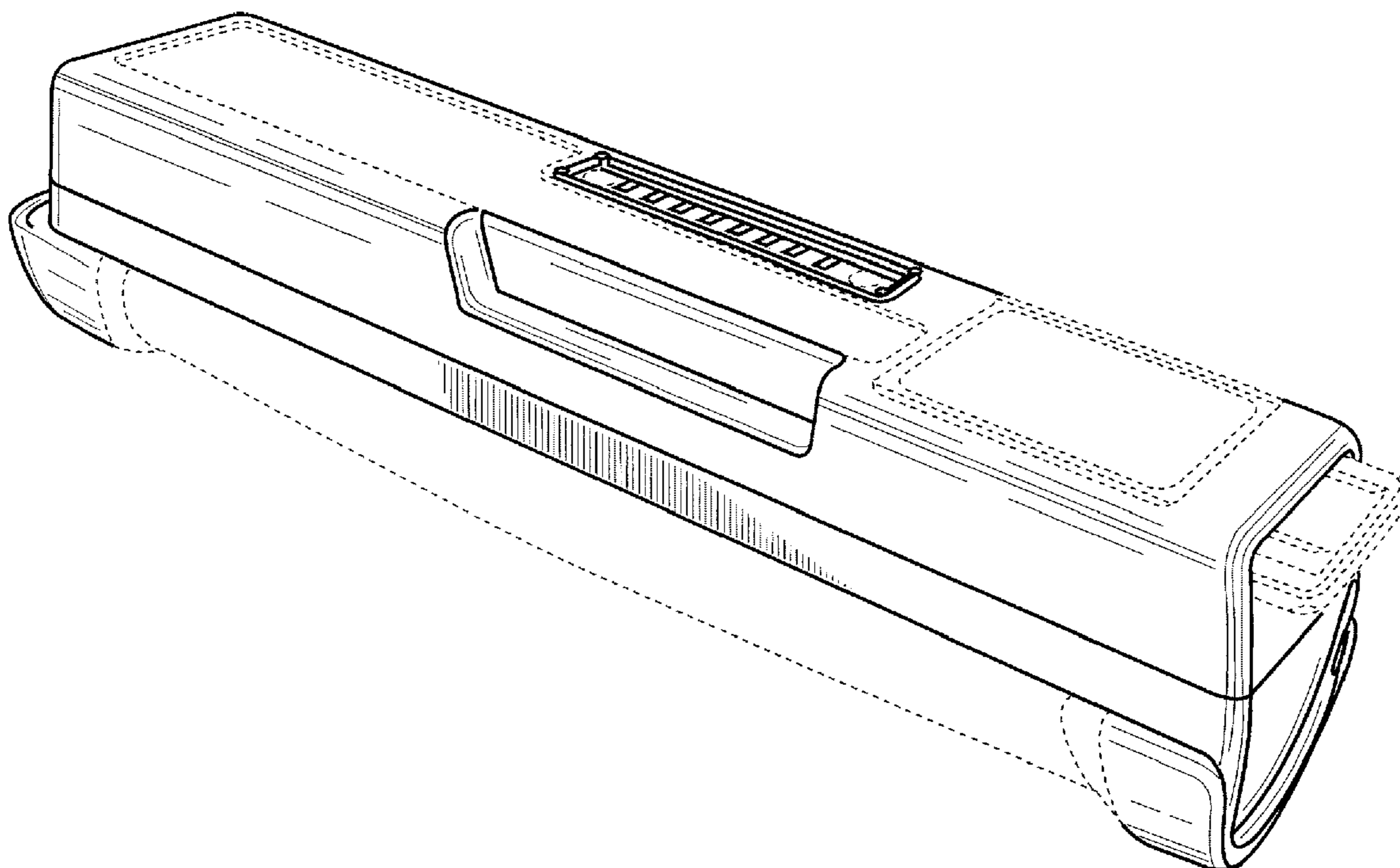
FIG. 5 is a bottom plan view thereof;

FIG. 6 is a side view thereof; and,

FIG. 7 is an opposite side view thereof.

The broken lines shown in FIGS. 1–7 are included for illustrative purposes only and form no part of the claimed design. The broken lines which define the bounds of the claimed design form no part thereof.

1 Claim, 3 Drawing Sheets



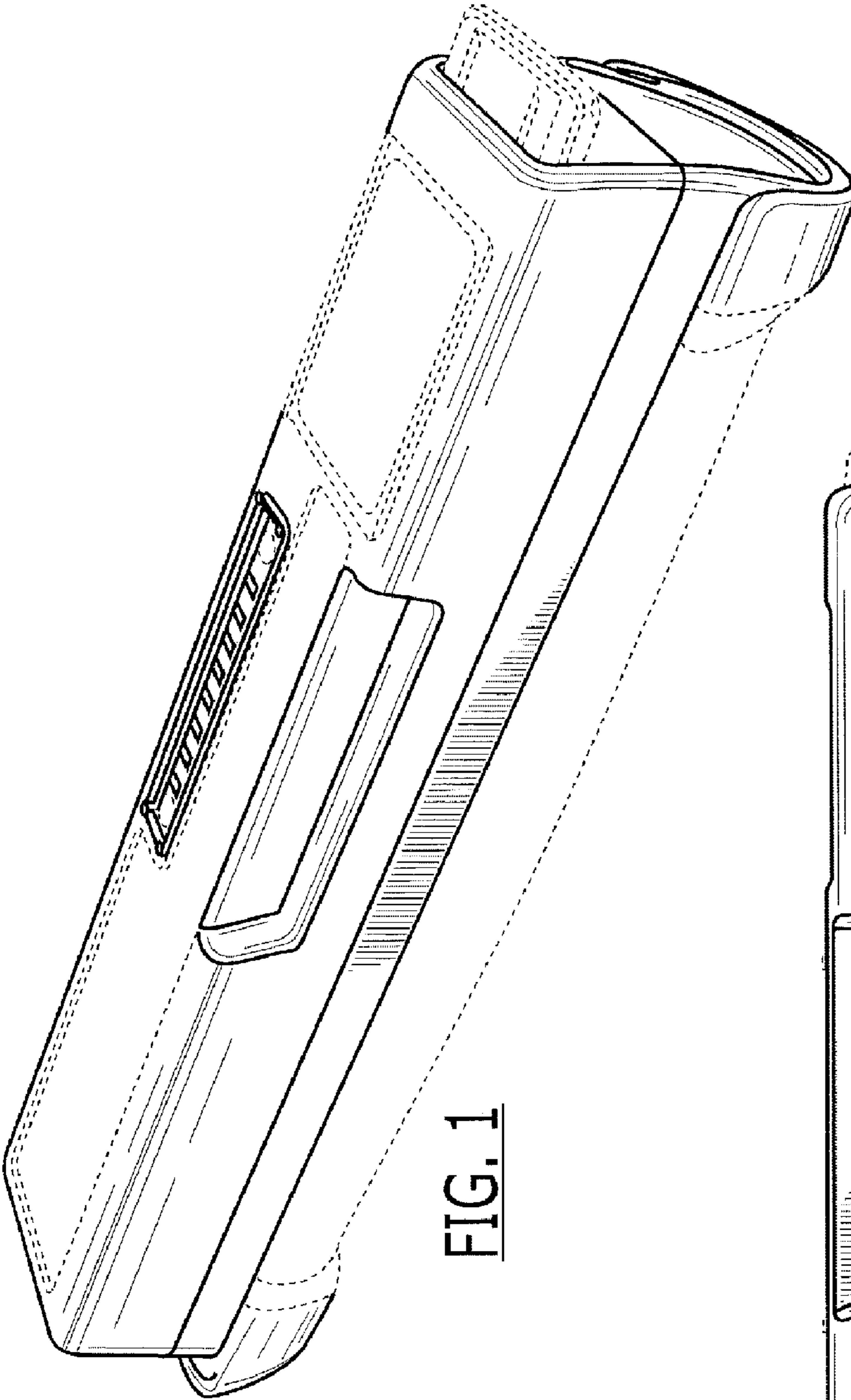


FIG. 1

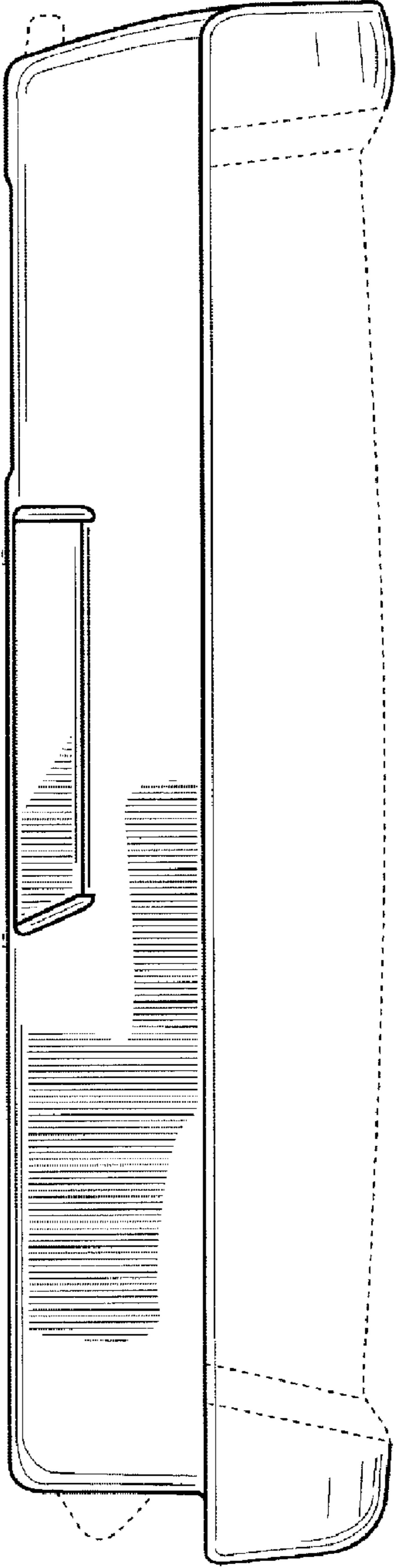


FIG. 2

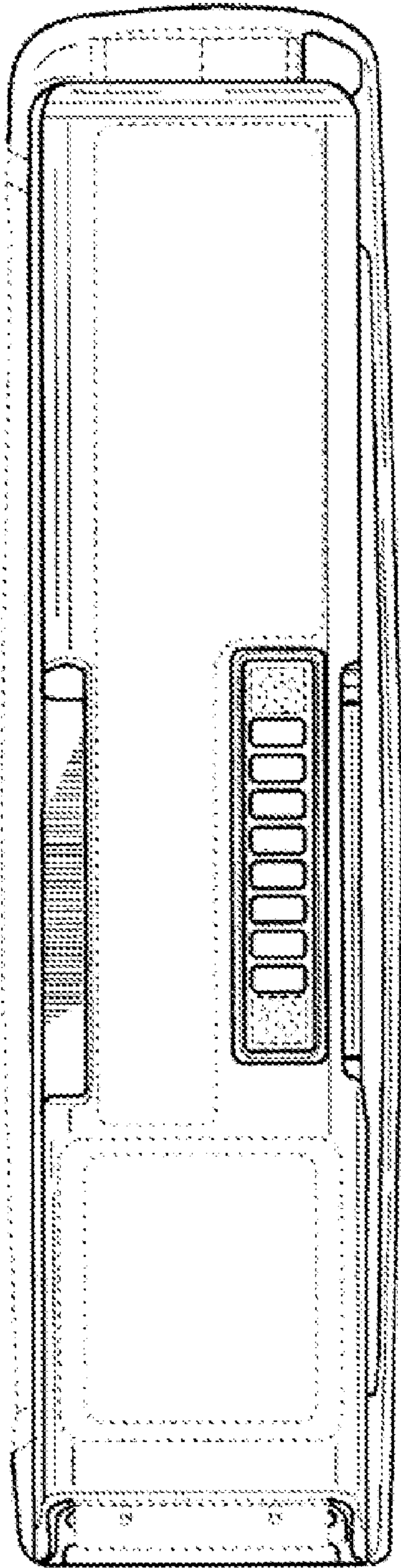


FIG. 3

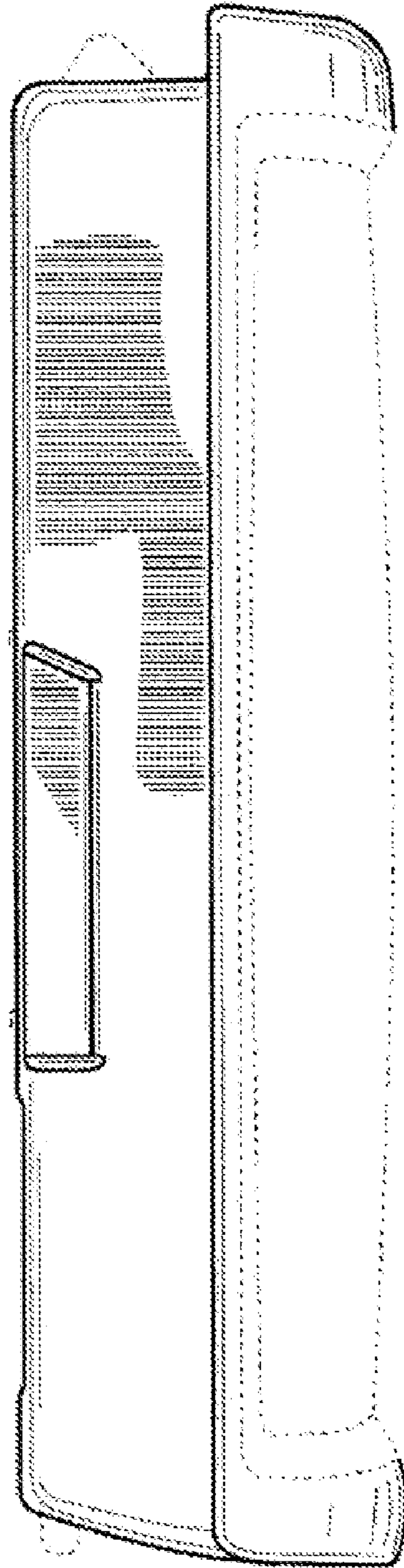


FIG. 4

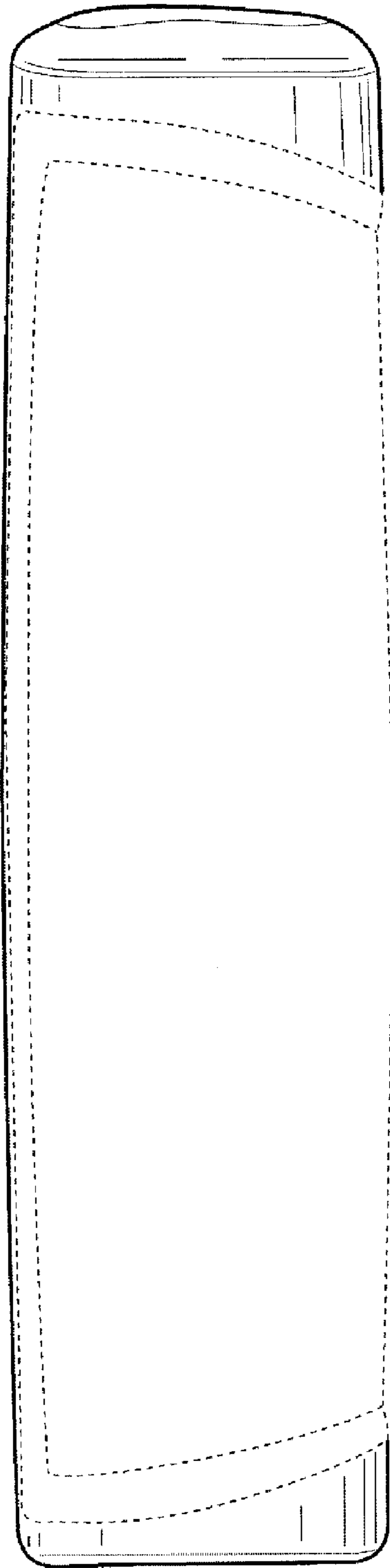


FIG. 5

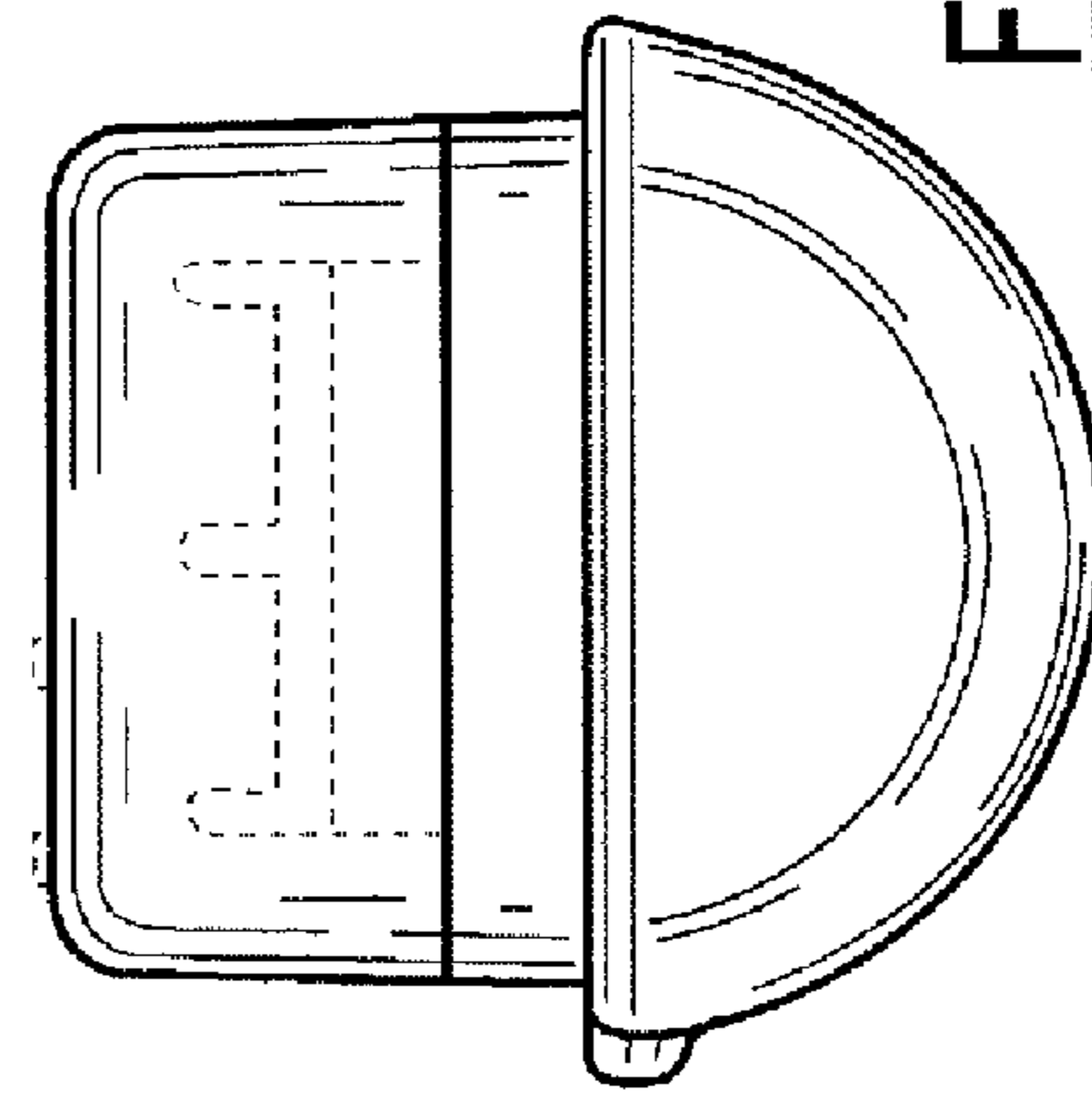


FIG. 6

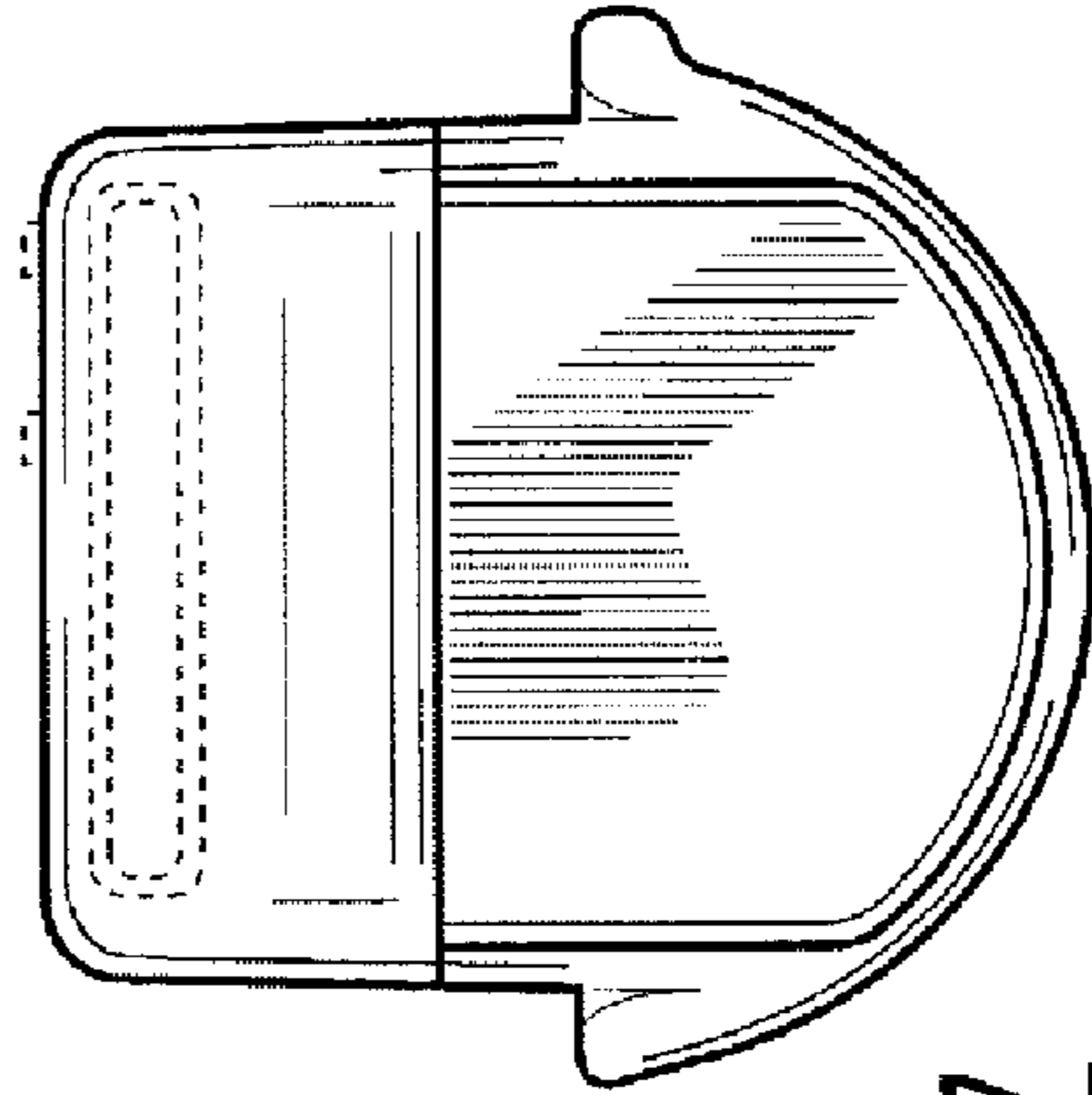


FIG. 7