



US00D581865S

(12) **United States Design Patent**
Koza

(10) **Patent No.:** **US D581,865 S**
(45) **Date of Patent:** **** Dec. 2, 2008**

(54) **SOLAR POWER SUPPLY**

DESCRIPTION

(75) Inventor: **Michelle Koza**, Los Angeles, CA (US)

(73) Assignees: **Sony Corporation**, Tokyo (JP); **Sony Electronics Inc.**, Park Ridge, NJ (US)

(**) Term: **14 Years**

(21) Appl. No.: **29/284,428**

(22) Filed: **Sep. 7, 2007**

(51) **LOC (8) Cl.** **13-02**

(52) **U.S. Cl.** **D13/102**

(58) **Field of Classification Search** D13/102,
D13/103, 184, 199; 136/206, 244, 245; 320/101
See application file for complete search history.

(56) **References Cited**

U.S. PATENT DOCUMENTS

5,522,943	A *	6/1996	Spencer et al.	136/245
6,476,311	B1 *	11/2002	Lee et al.	136/244
D468,684	S *	1/2003	Shugar	D13/102
D479,191	S *	9/2003	Peress et al.	D13/102
D489,680	S *	5/2004	Stobart	D13/107
D493,768	S *	8/2004	Lam	D13/102
D510,316	S *	10/2005	Hayakawa	D13/102

* cited by examiner

Primary Examiner—Prabhakar Deshmukh

Assistant Examiner—Derrick Holland

(74) *Attorney, Agent, or Firm*—John L. Rogitz

(57) **CLAIM**

The ornamental design for the solar power supply, as shown and described.

FIG. 1 is a perspective view of the solar power supply in the unfolded configuration;

FIG. 2 is a front end view of the solar power supply in the unfolded configuration;

FIG. 3 is a teat end view of the solar power supply in the unfolded configuration;

FIG. 4 is a top plan view of the solar power supply in the unfolded configuration;

FIG. 5 is a left side view of the solar power supply in the unfolded configuration;

FIG. 6 is a bottom plan view of the solar power supply in the unfolded configuration;

FIG. 7 is a right side view of the solar power supply in the unfolded configuration;

FIG. 8 is a perspective view of the solar power supply in the folded configuration;

FIG. 9 is a front end view of the solar power supply in the folded configuration;

FIG. 10 is a left side view of the solar power supply in the folded configuration;

FIG. 11 is a rear view of the solar power supply in the folded configuration;

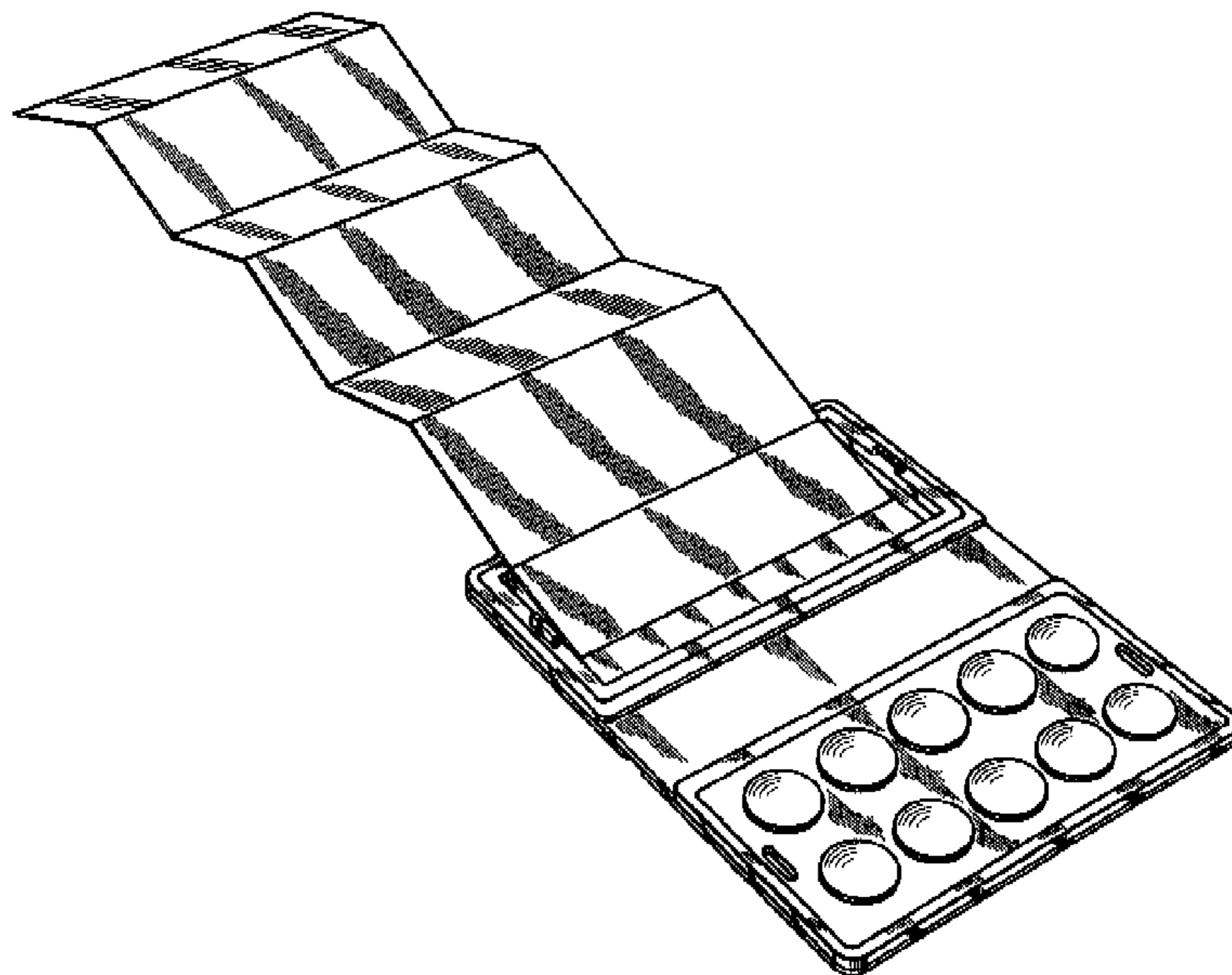
FIG. 12 is a right side view of the solar power supply in the folded configuration;

FIG. 13 is a bottom edge view of the solar power supply in the folded configuration; and,

FIG. 14 is a top edge view of the solar power supply in the folded configuration.

The broken lines showing the trademark name “Sony” is unclaimed environment and forms no part of the claimed design.

1 Claim, 4 Drawing Sheets



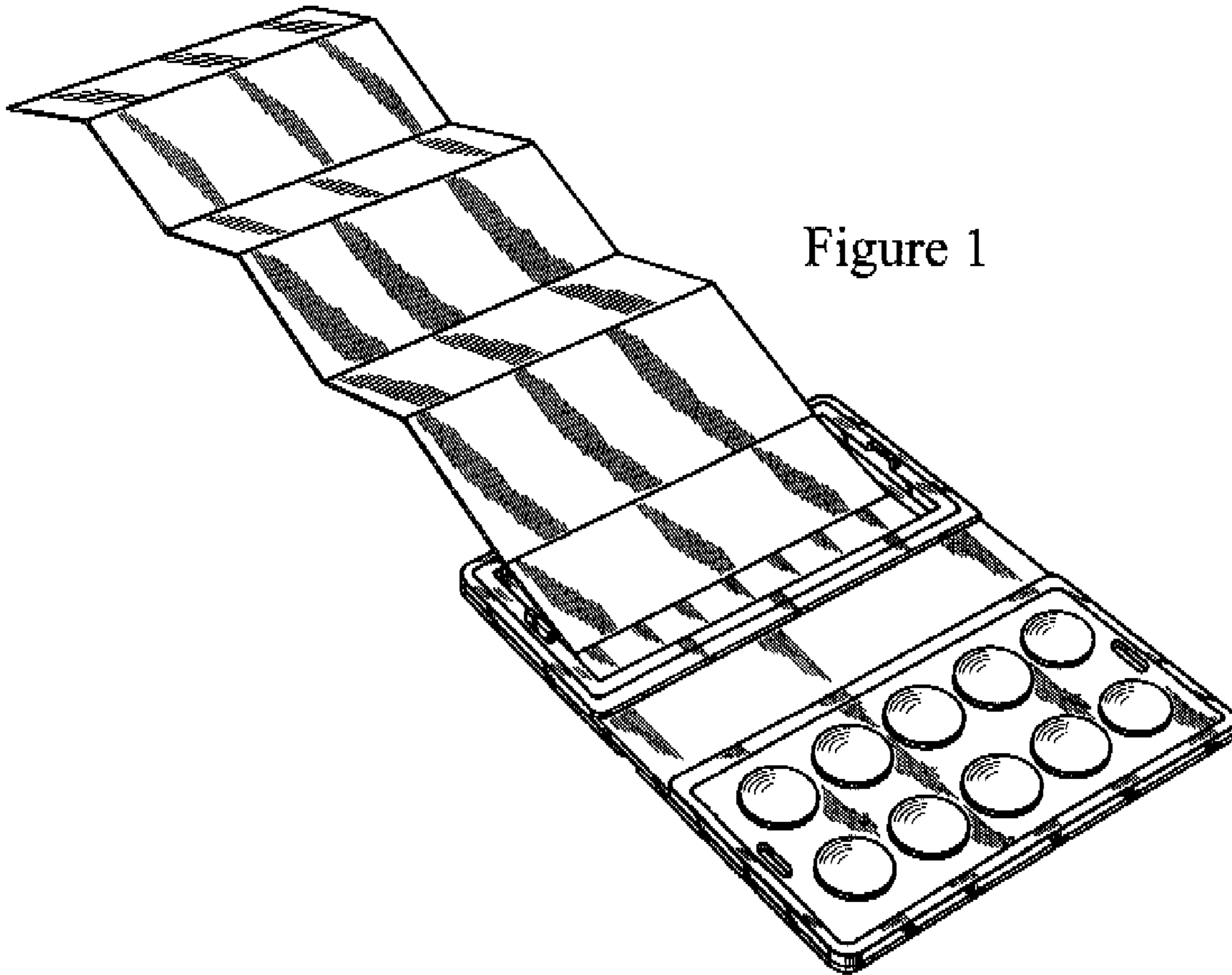


Figure 1

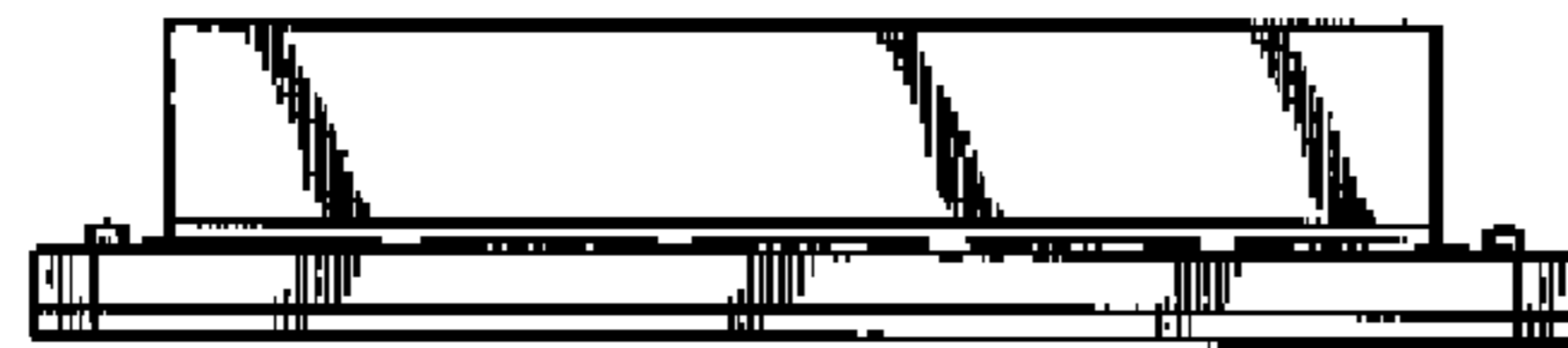


Figure 2

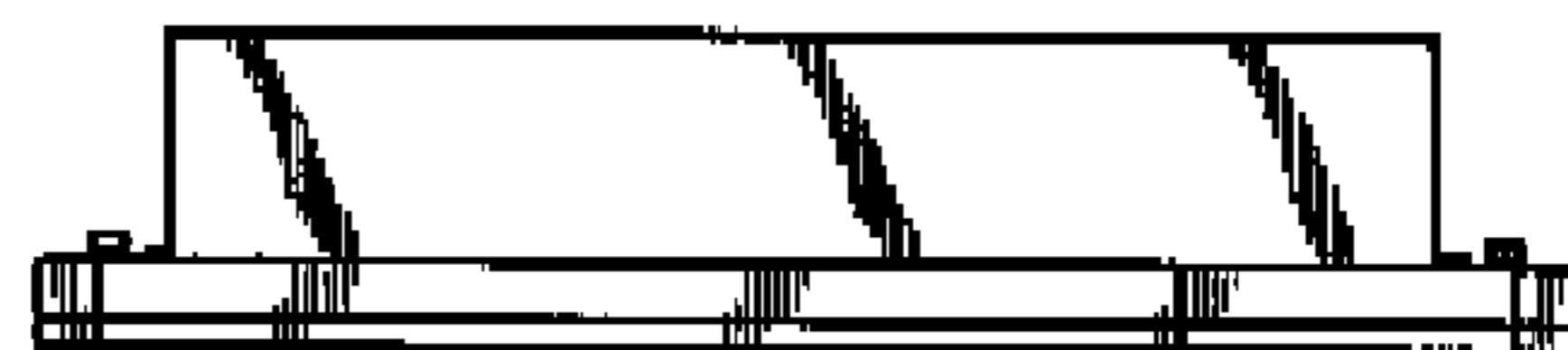


Figure 3

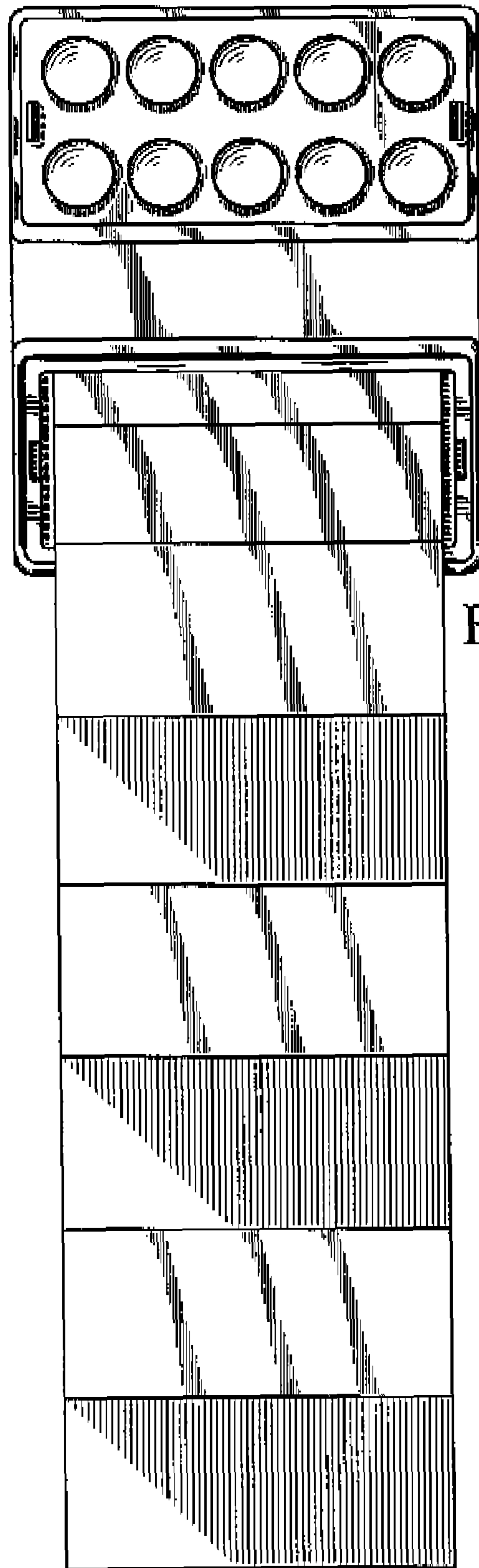


Figure 4

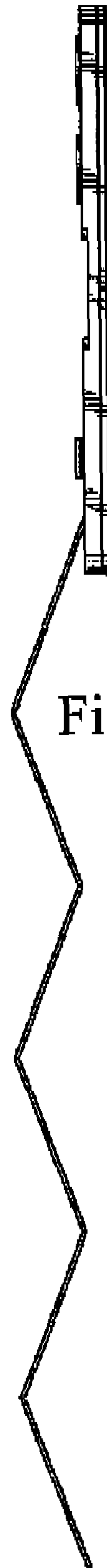


Figure 5

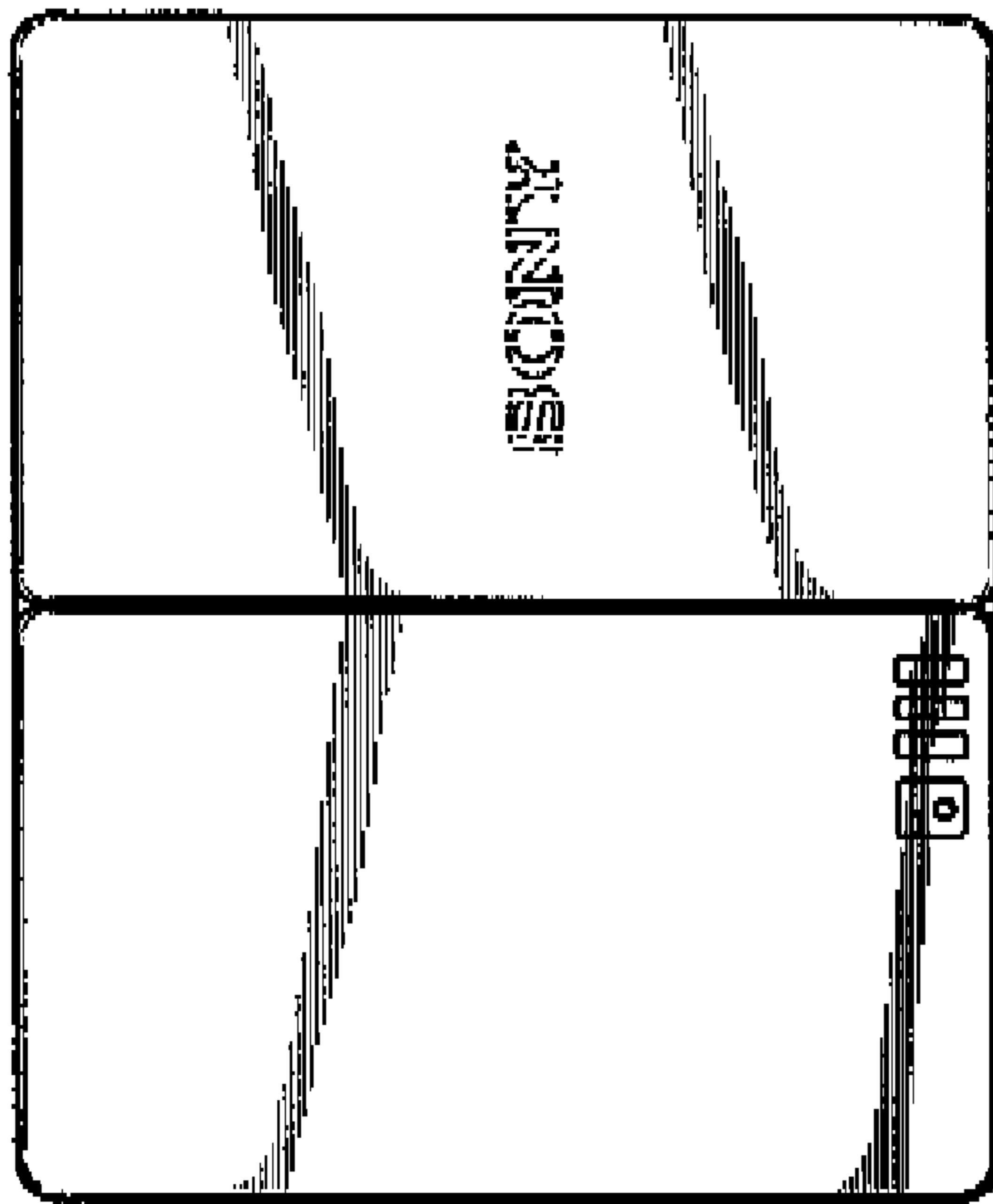


Figure 6

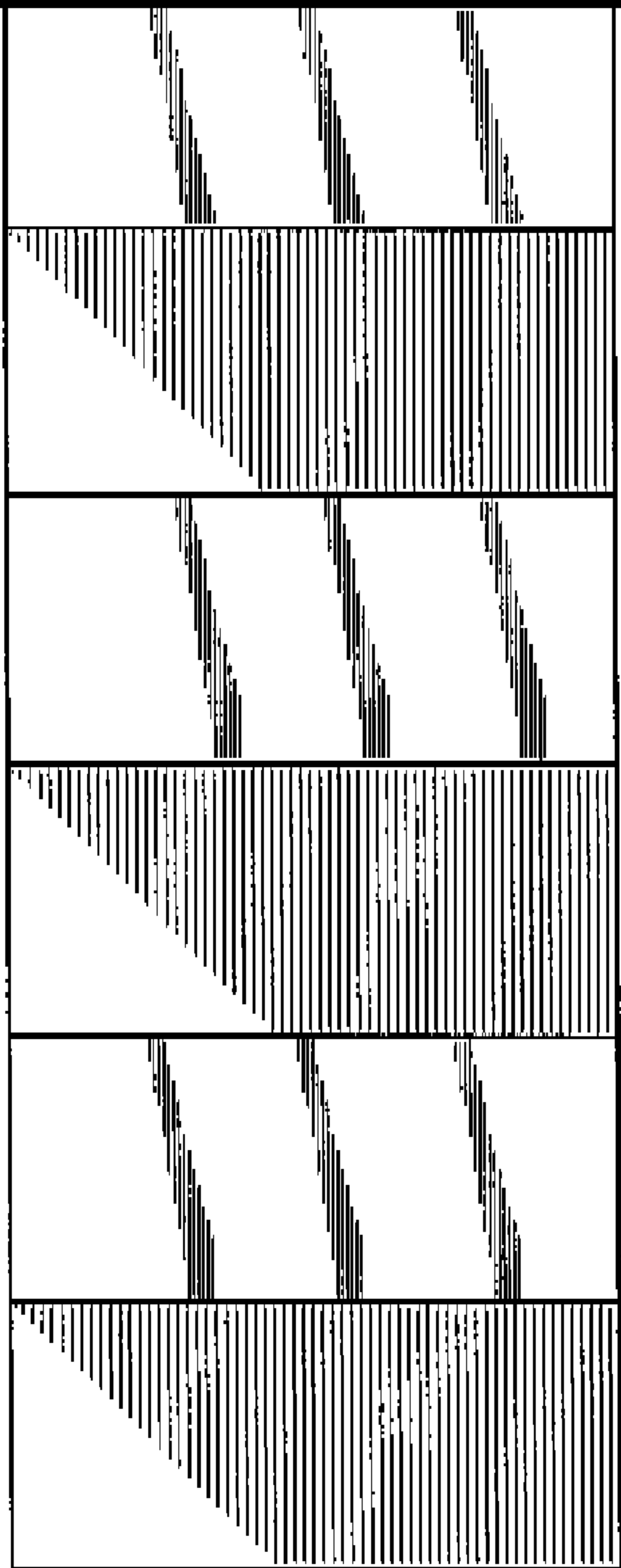


Figure 7

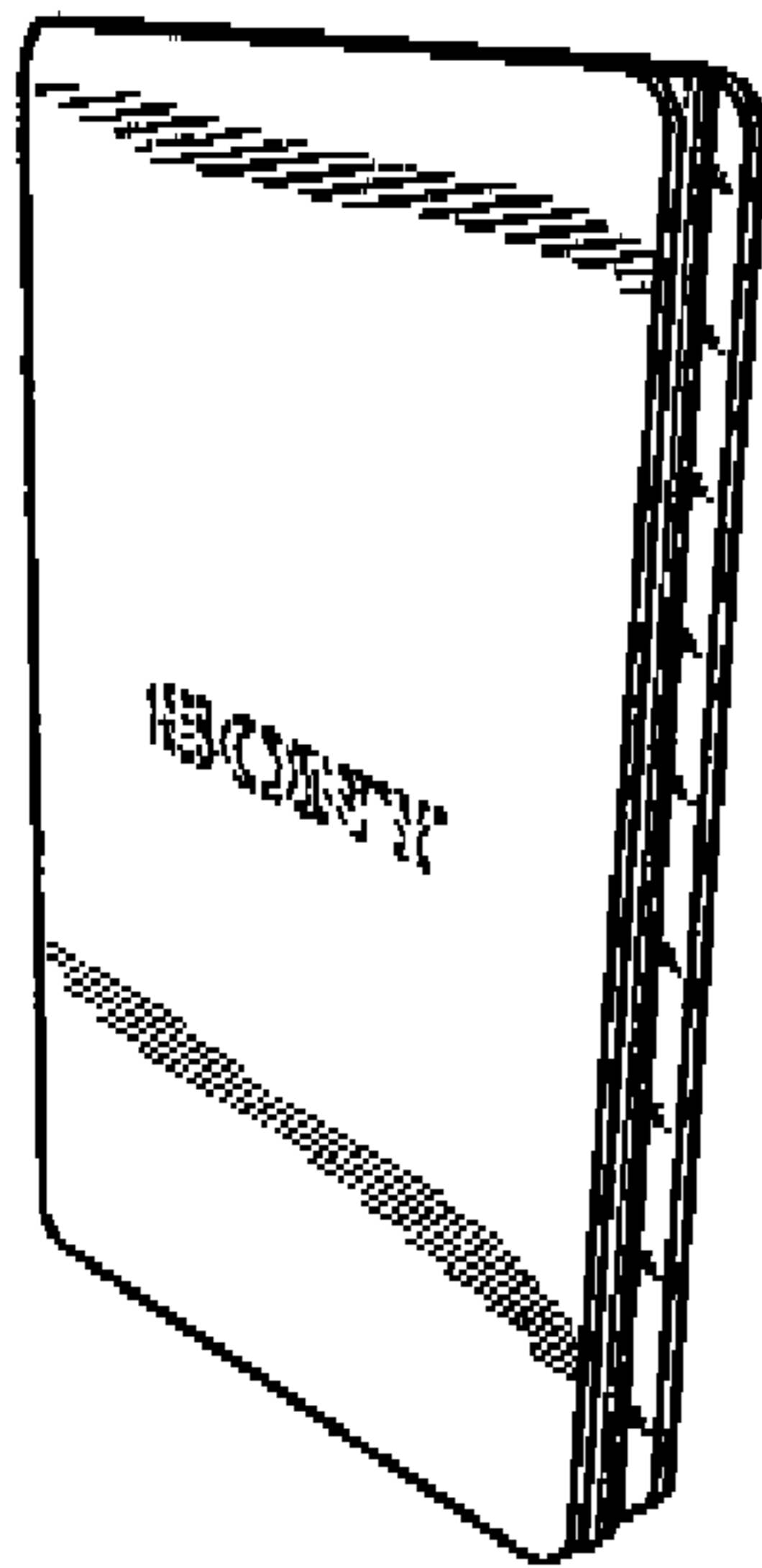


Figure 8

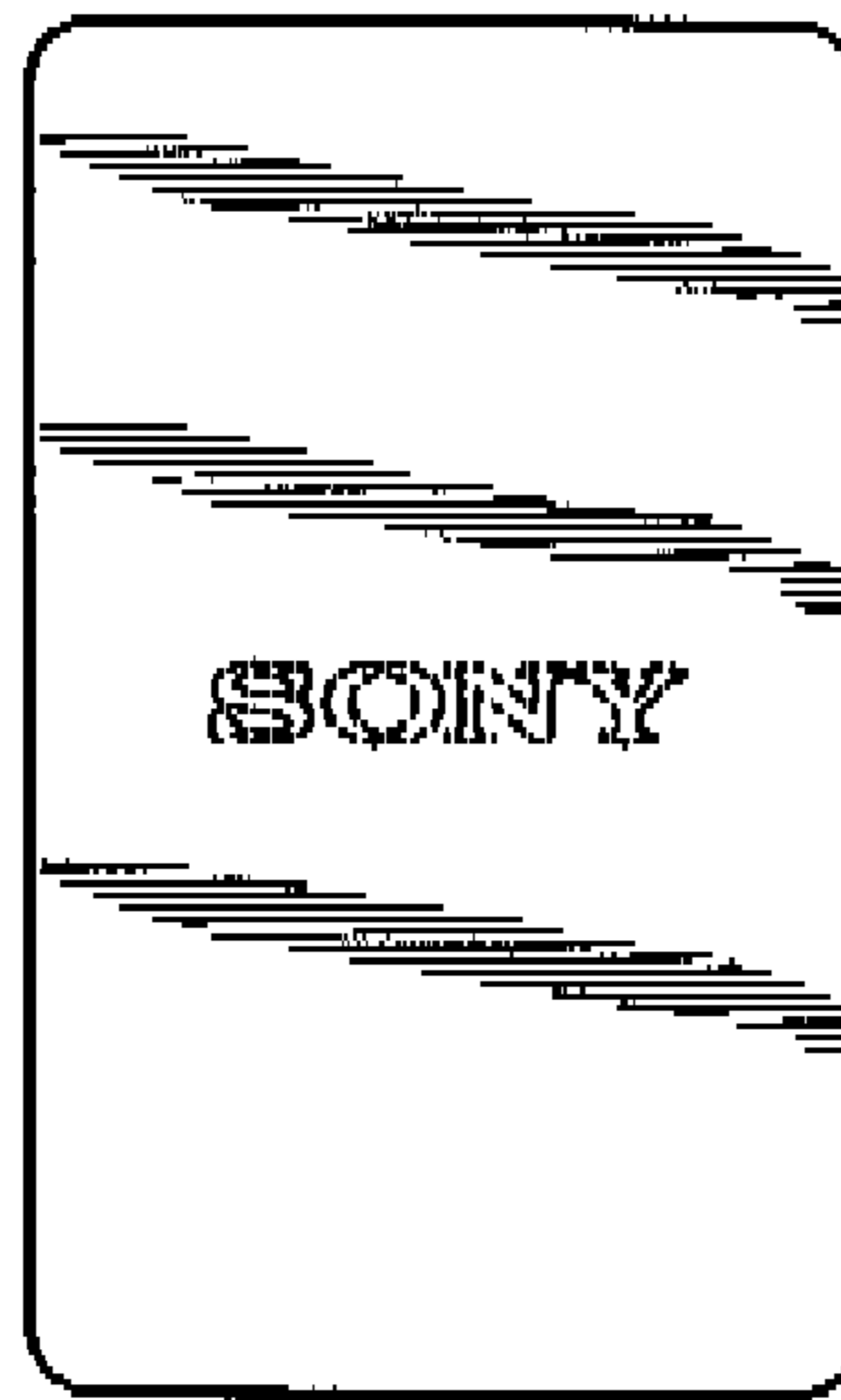


Figure 9



Figure 10

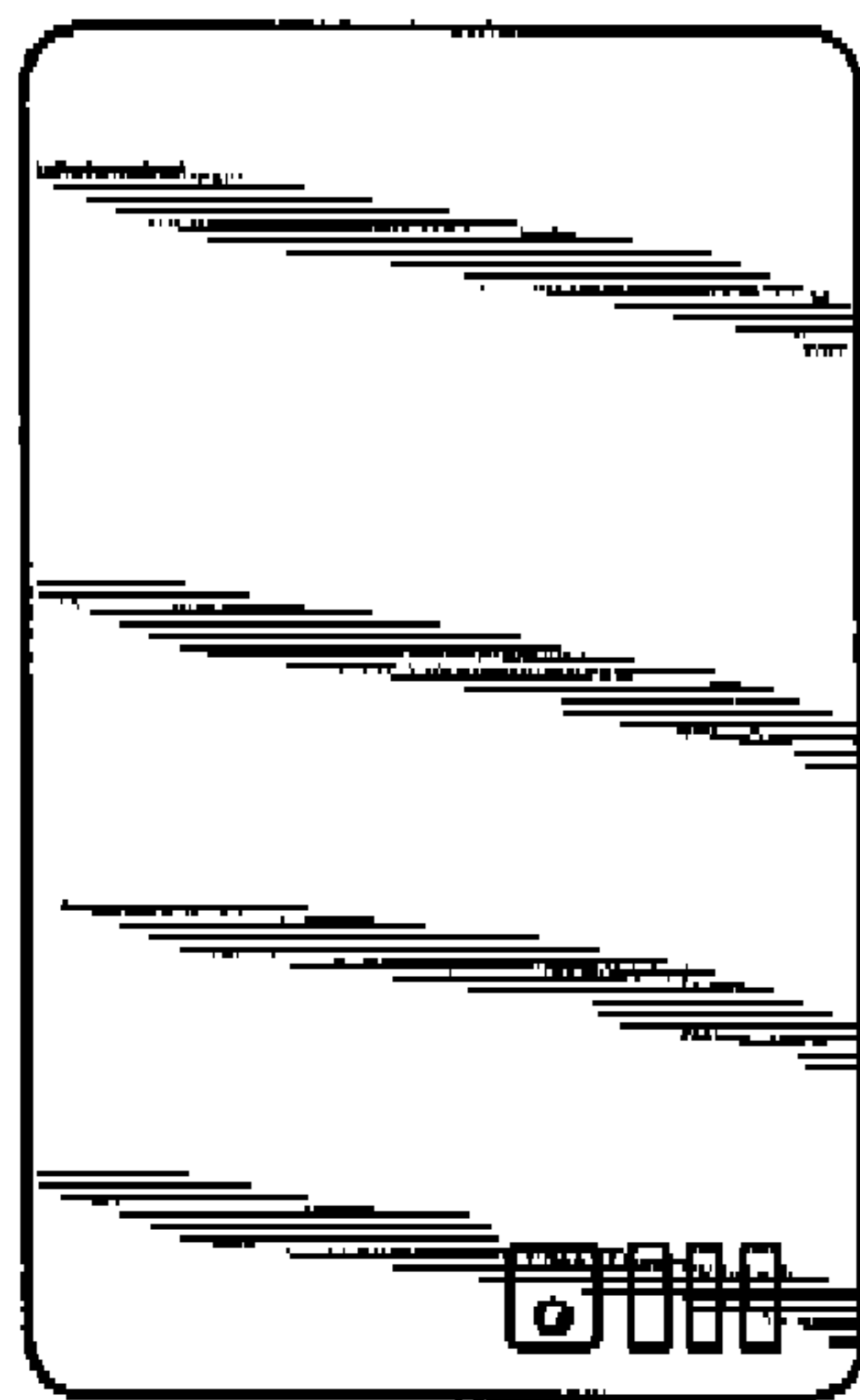


Figure 11



Figure 12

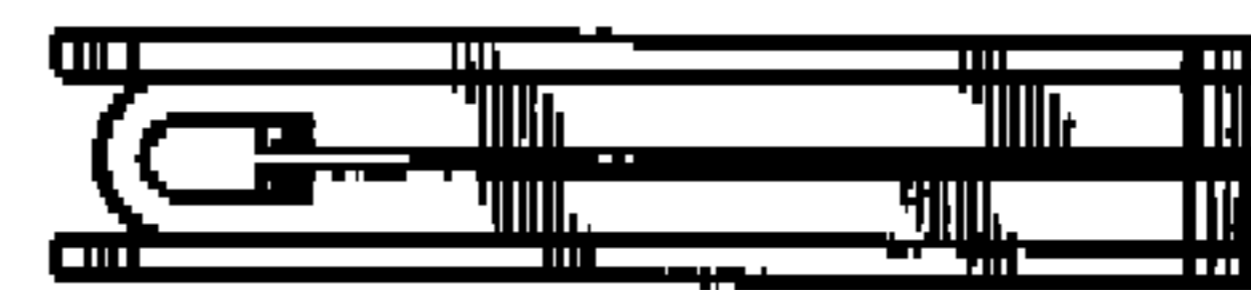


Figure 13

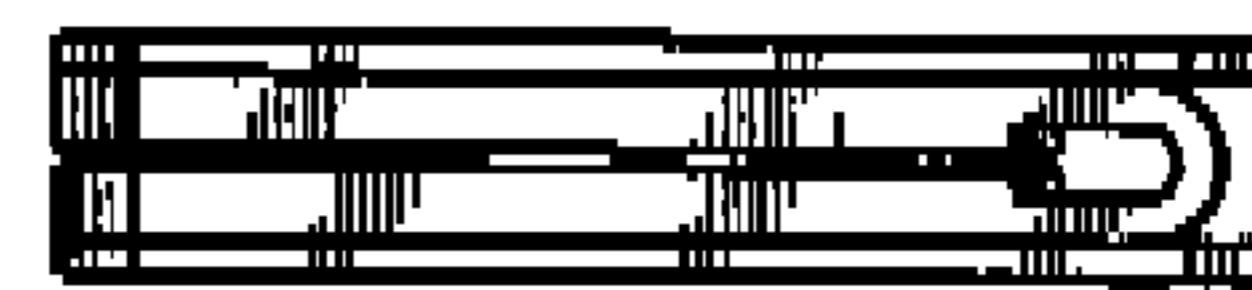


Figure 14