



US00D581862S

(12) **United States Design Patent**
Anttila et al.

(10) **Patent No.:** **US D581,862 S**
(45) **Date of Patent:** **** Dec. 2, 2008**

(54) **CONTROL DEVICE INTEGRATED INTO A VEHICLE ARMREST**

(75) Inventors: **Seppo Tapani Anttila**, Jyvaskyla (FI);
Kimmo Tapani Wihinen, Helsinki (FI);
Matti Jorma Ilmari Makkonen, Turku (FI);
Harri Antero Alanen, Piispanristi (FI)

(73) Assignee: **Valtra Oy AB**, Sholahti (FI)

(**) Term: **14 Years**

(21) Appl. No.: **29/303,993**

(22) Filed: **Feb. 22, 2008**

Related U.S. Application Data

(62) Division of application No. 29/257,810, filed on Apr. 11, 2006.

(30) **Foreign Application Priority Data**

Oct. 11, 2005 (FI) M20050160

(51) **LOC (8) Cl.** **12-16**

(52) **U.S. Cl.** **D12/421**

(58) **Field of Classification Search** D12/421,
D12/192, 415, 422-424; 180/90; 280/750-752;
D10/46, 102, 98, 122-127; D15/17, 28;
296/190.1-191, 70

See application file for complete search history.

(56) **References Cited**

U.S. PATENT DOCUMENTS

D429,686 S *	8/2000	McDonald	D12/419
D501,811 S *	2/2005	Fukuda et al.	D12/192
D516,096 S *	2/2006	Bergman et al.	D15/28
D522,957 S *	6/2006	Miyashita	D12/424
D532,730 S *	11/2006	Kohara et al.	D12/192
D533,492 S *	12/2006	Maazono et al.	D12/192
D562,350 S *	2/2008	Higashikawa	D15/17

* cited by examiner

Primary Examiner—Robert M Spear
Assistant Examiner—Katrina A Kile
(74) *Attorney, Agent, or Firm*—WolfBlock LLP

(57) **CLAIM**

We claim the ornamental design for a control device integrated into a vehicle armrest, as shown and described.

DESCRIPTION

FIG. 1 illustrates a top left perspective view from the back of a control device integrated into a vehicle armrest showing our new design;

FIG. 2 illustrates a top right perspective view of a control device integrated into a vehicle armrest showing our new design;

FIG. 3 illustrates a bottom right perspective view of a control device integrated into a vehicle armrest showing our new design;

FIG. 4 illustrates a back perspective view of a control device integrated into a vehicle armrest showing our new design;

FIG. 5 illustrates a top left perspective view from the front of a control device integrated into a vehicle armrest showing our new design;

FIG. 6 illustrates a top view of a control device integrated into a vehicle armrest showing our new design;

FIG. 7 illustrates a left side view of a control device integrated into a vehicle armrest showing our new design;

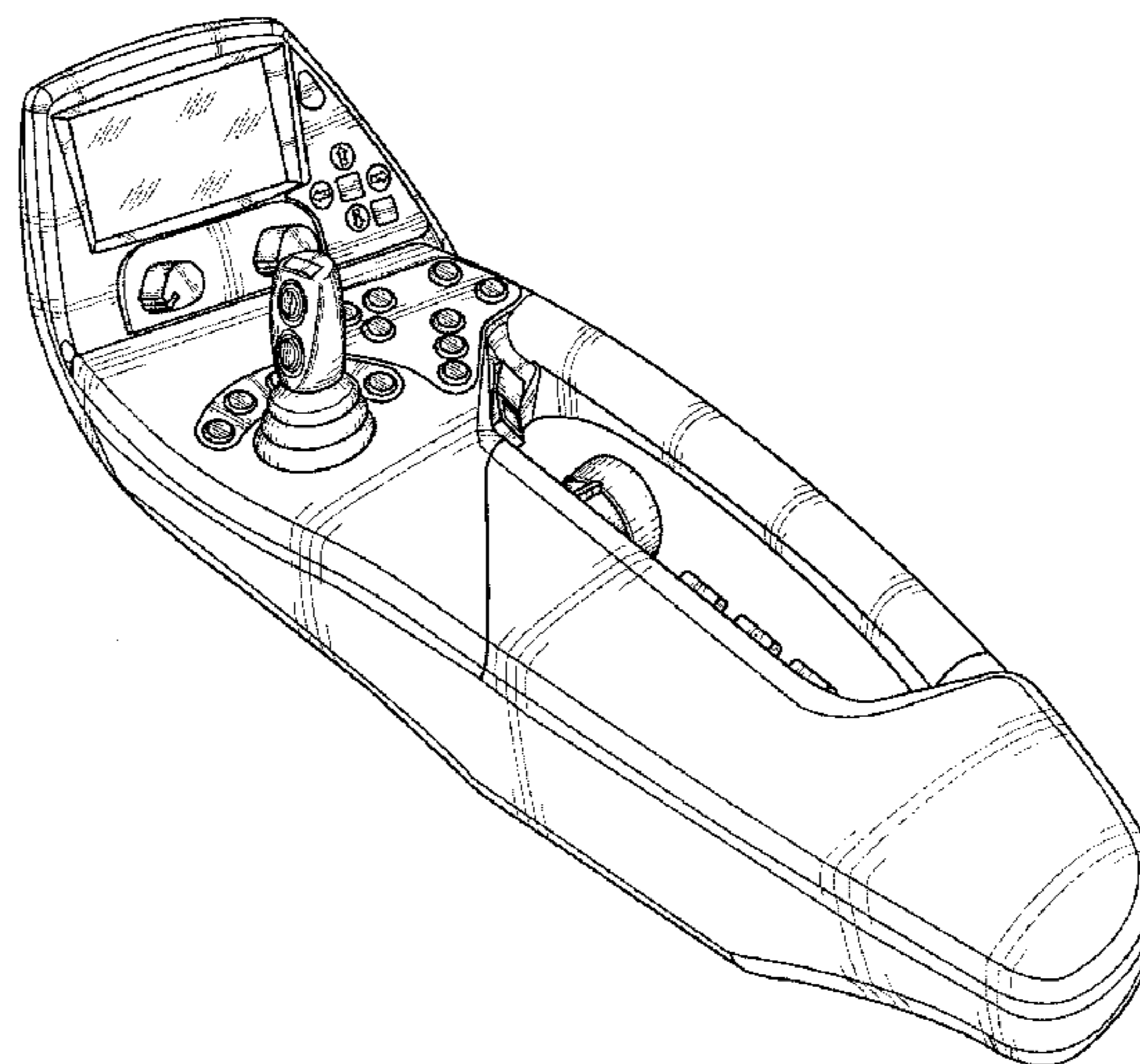
FIG. 8 illustrates a right side view of a control device integrated into a vehicle armrest showing our new design;

FIG. 9 illustrates a bottom view of a control device integrated into a vehicle armrest showing our new design;

FIG. 10 illustrates a front view of a control device integrated into a vehicle armrest showing our new design; and,

FIG. 11 illustrates a back view of a control device integrated into a vehicle armrest showing our new design.

1 Claim, 10 Drawing Sheets



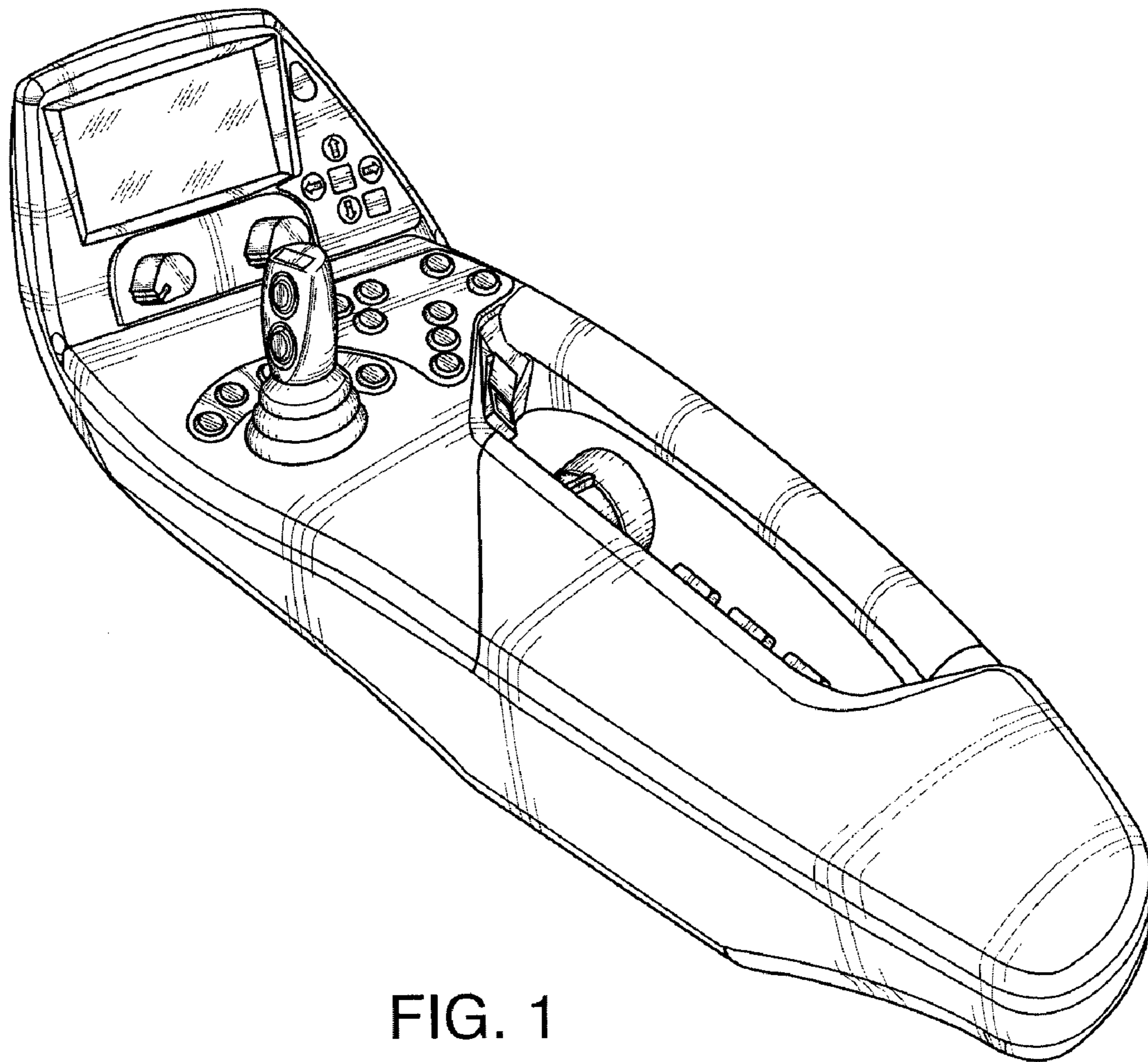


FIG. 1

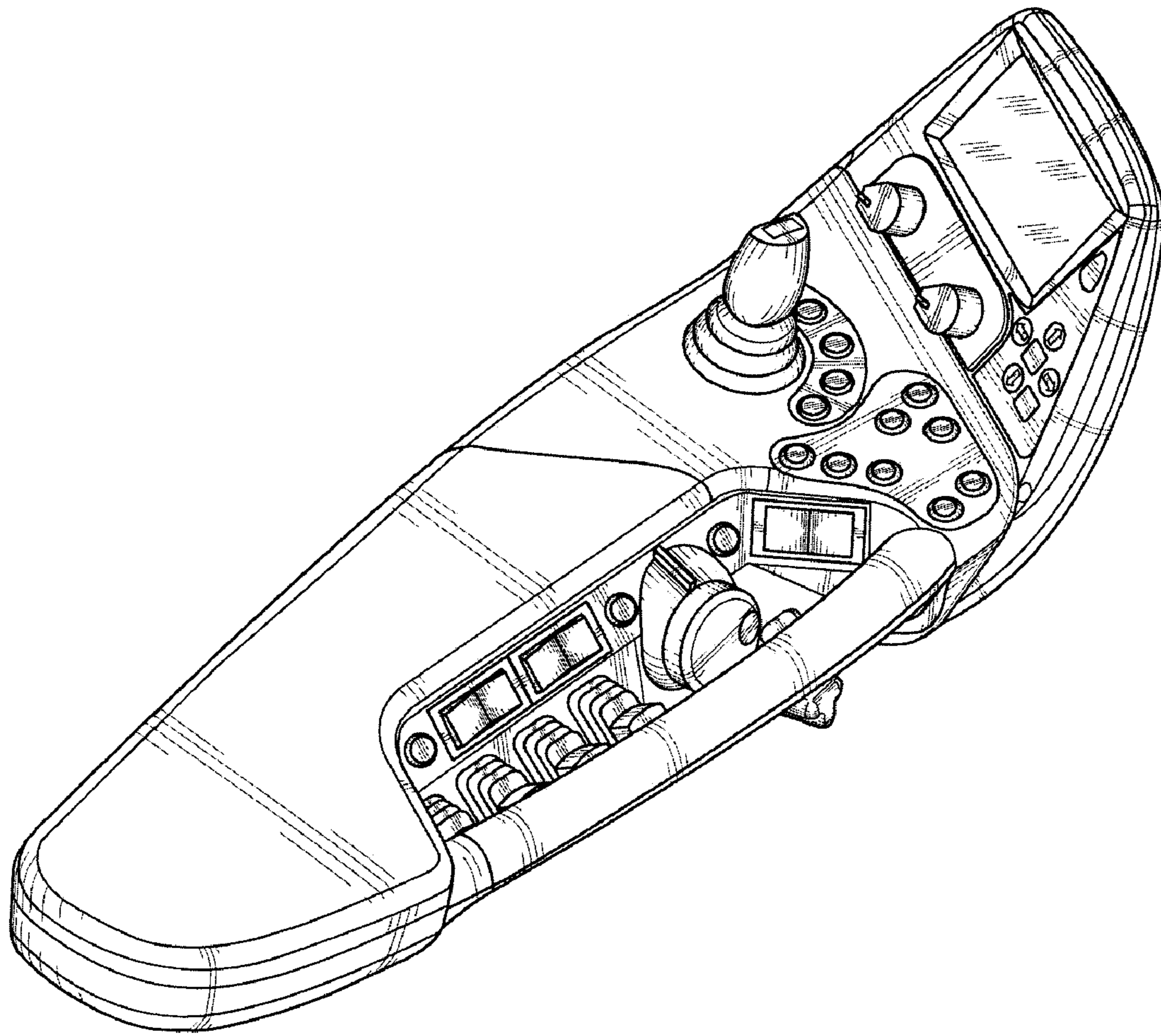


FIG. 2

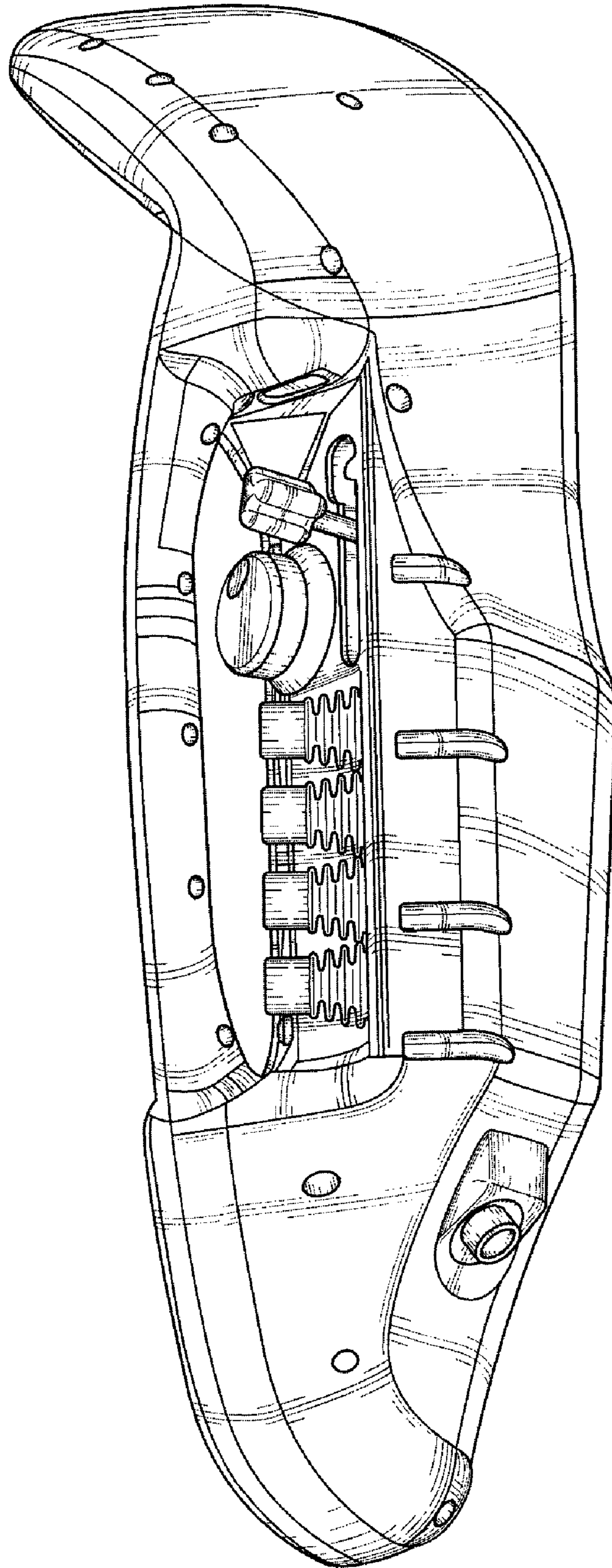


FIG. 3

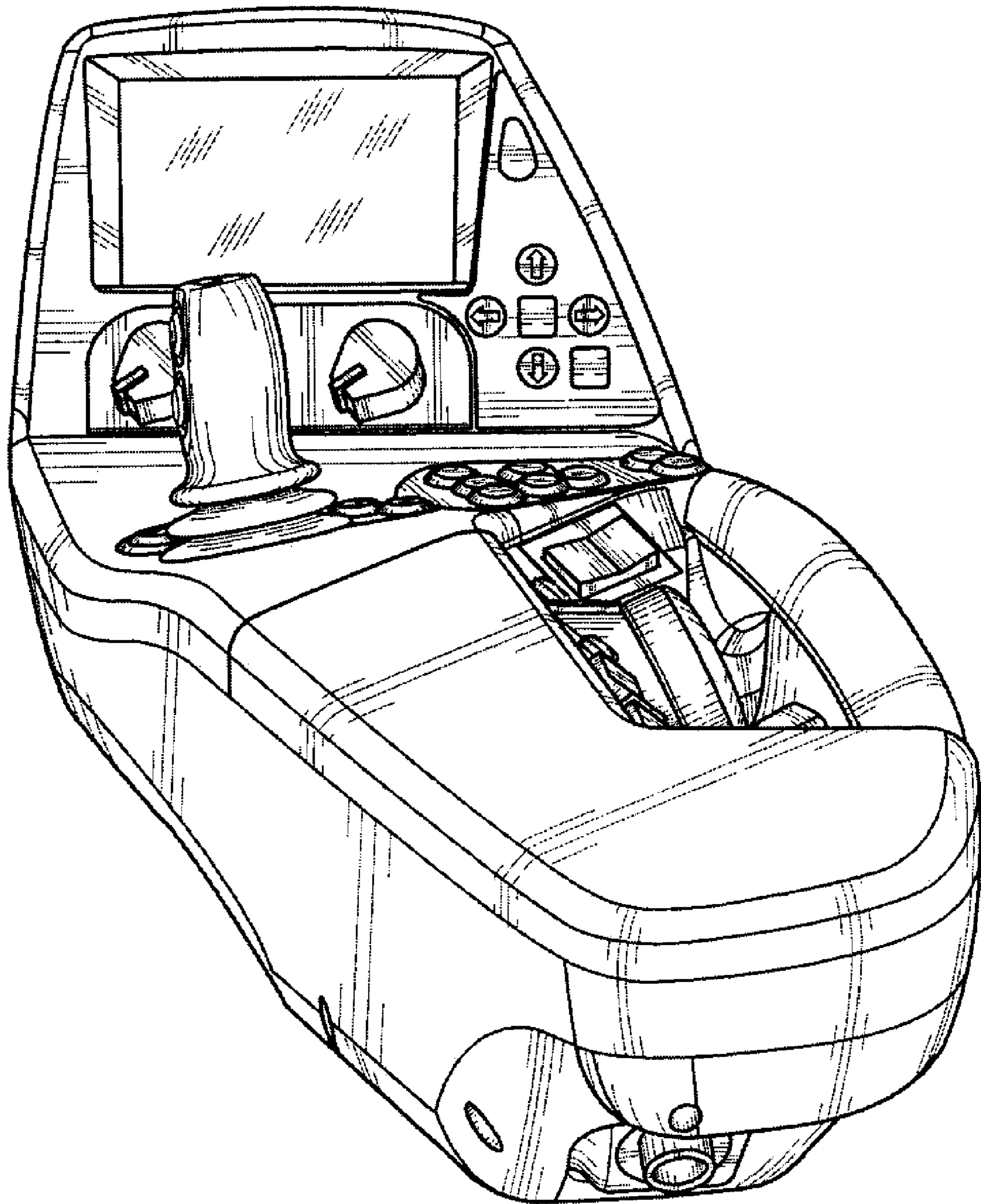


FIG. 4

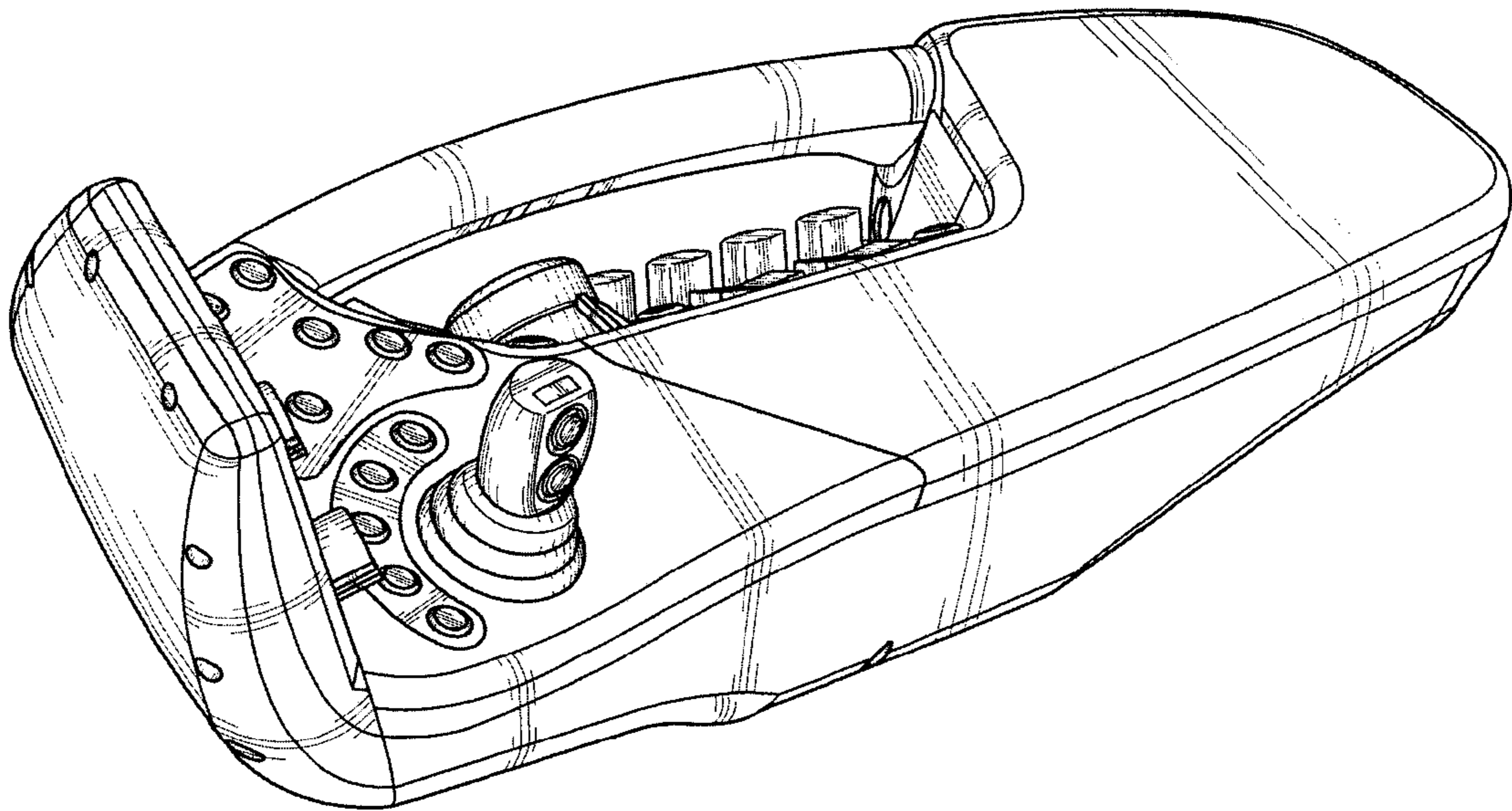


FIG. 5

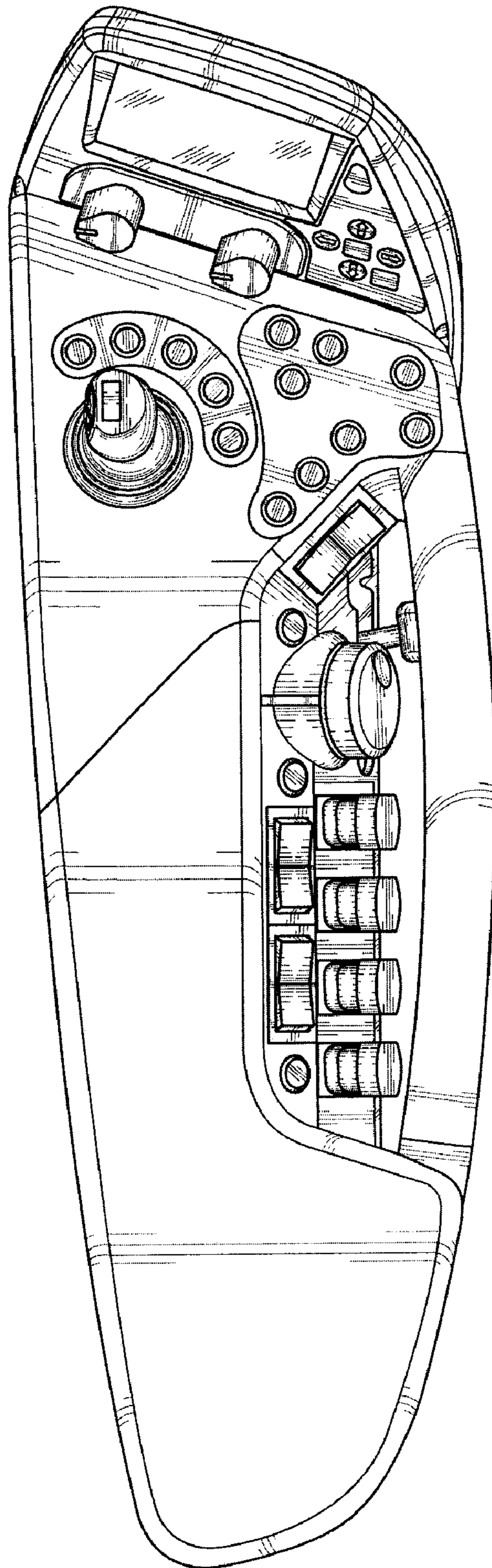


FIG. 6

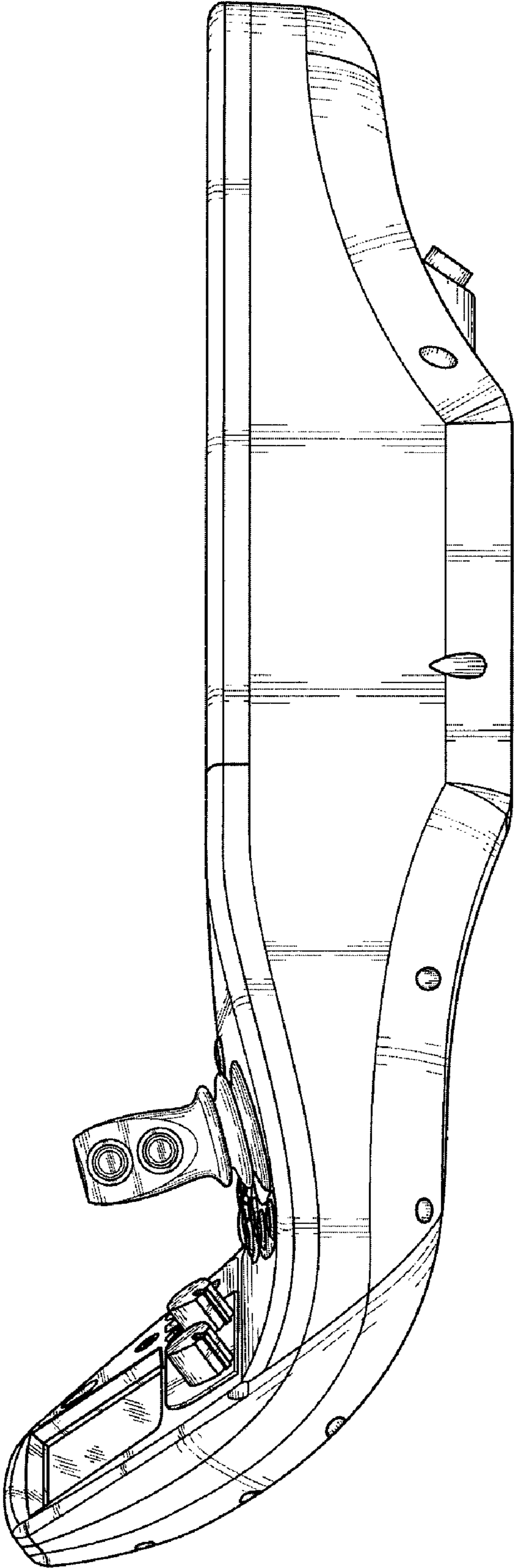


FIG. 7

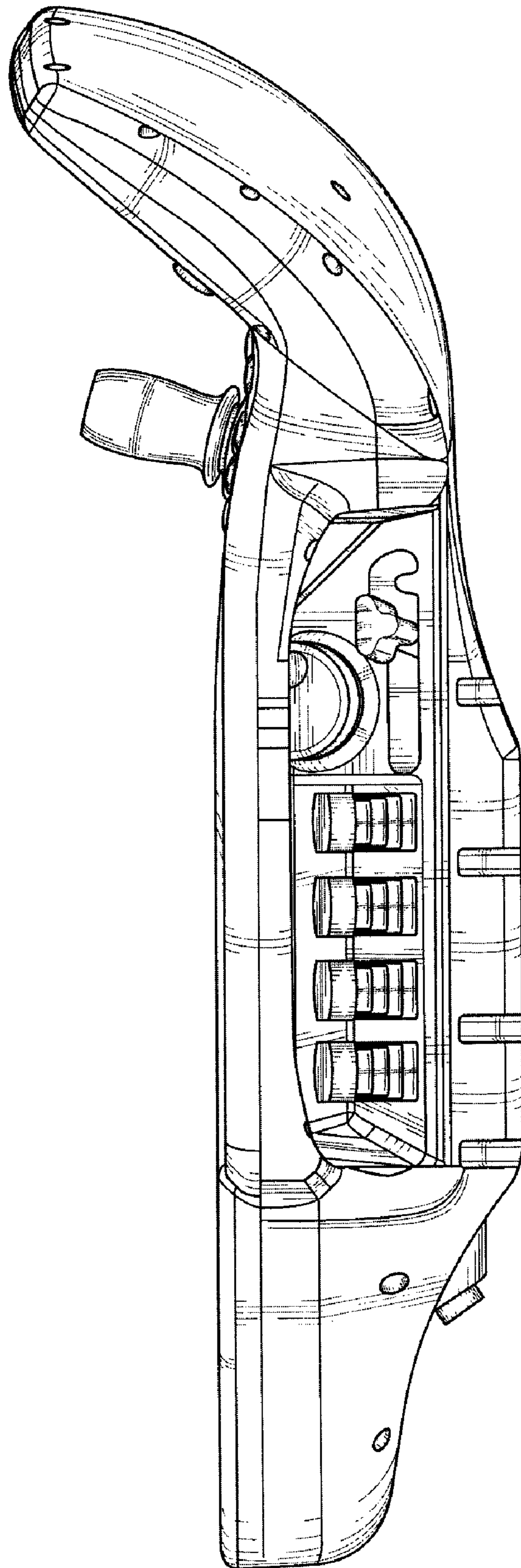


FIG. 8

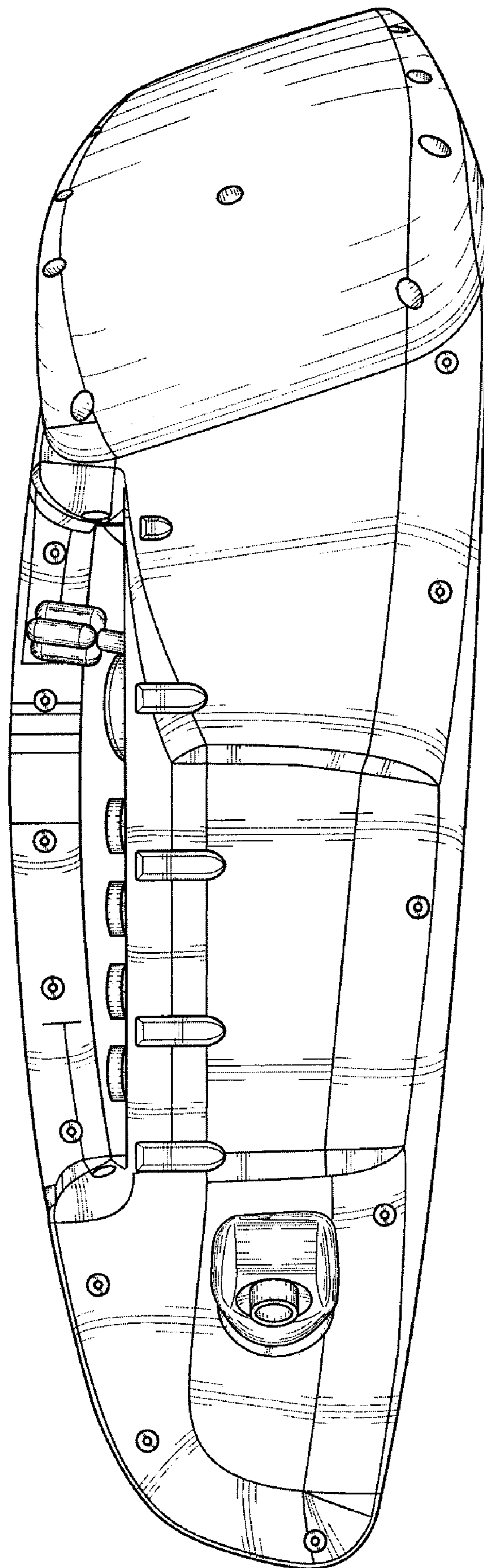


FIG. 9

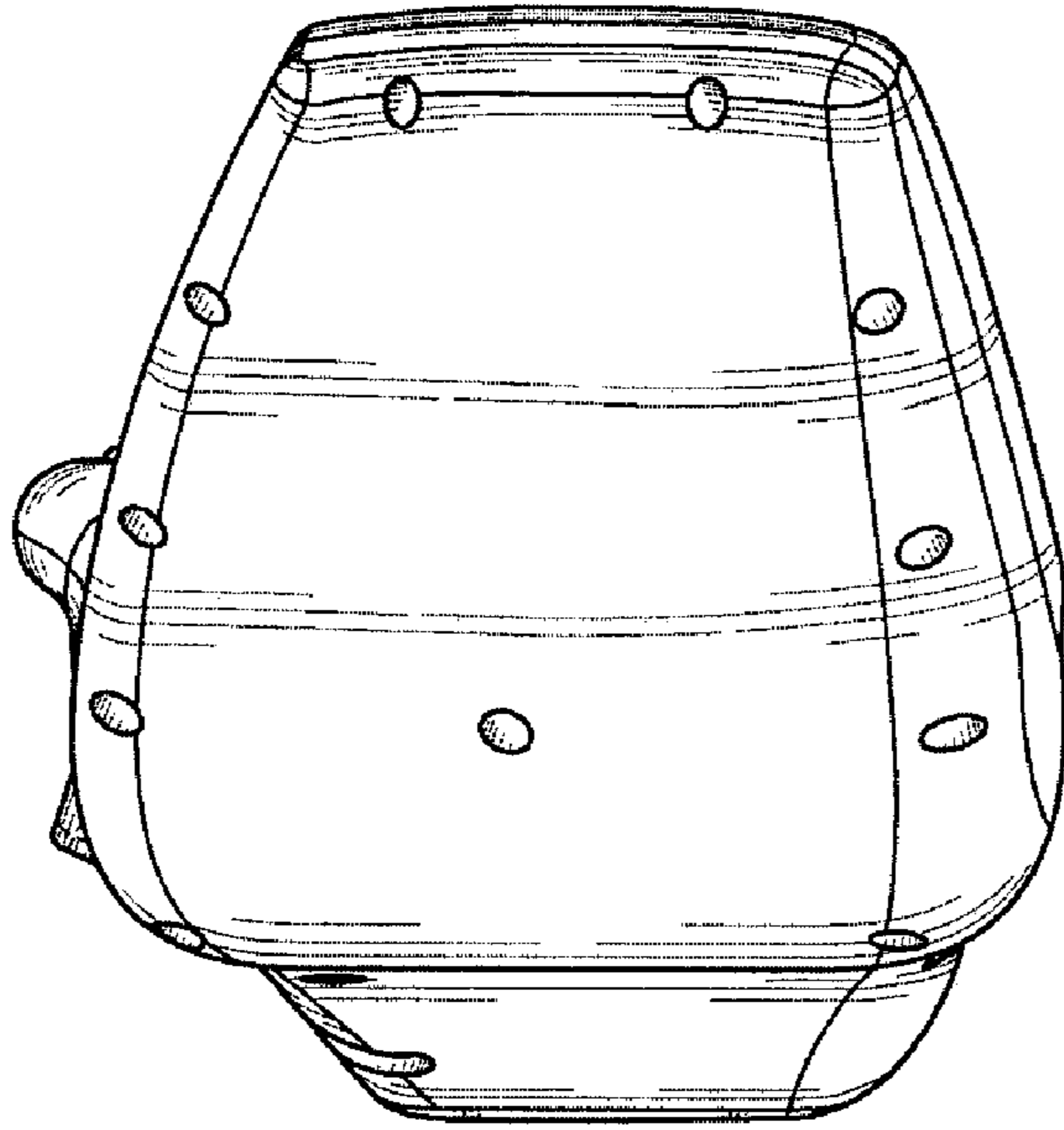


FIG. 10

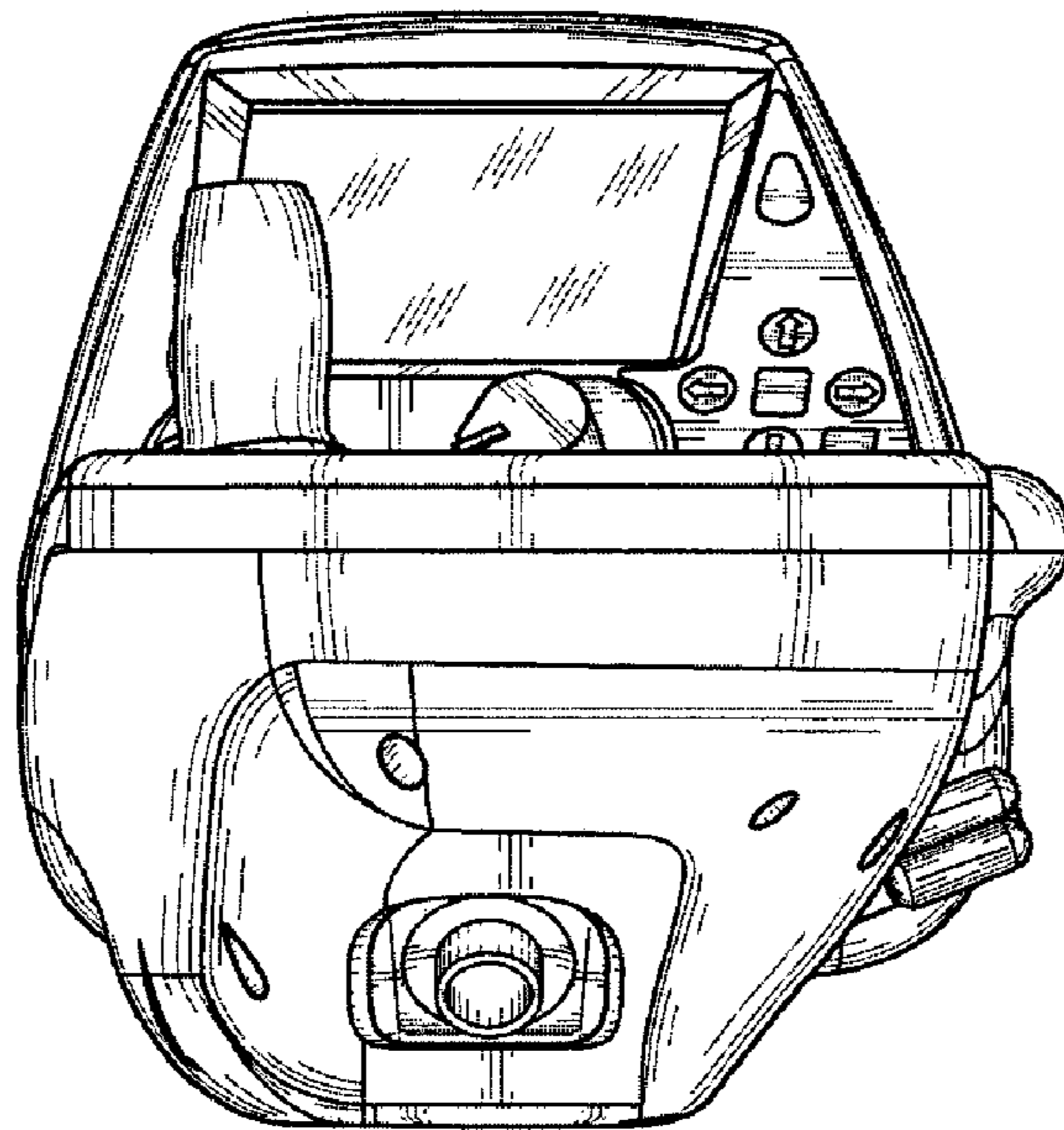


FIG. 11